



US00D409134S

United States Patent [19] Will

[11] **Patent Number: Des. 409,134**

[45] **Date of Patent: ** May 4, 1999**

[54] **BICYCLE RACK SUBASSEMBLY**

3,791,563 2/1974 Raat 224/424
5,655,696 8/1997 Simonett 224/454

[76] Inventor: **Leon Frederick Will**, 3 Dixon Street,
Clarence Park, South Australia 5034,
Australia

FOREIGN PATENT DOCUMENTS

S-132789 11/1996 Australia .

[**] Term: **14 Years**

Primary Examiner—Pamela Burgess
Attorney, Agent, or Firm—Evenson, McKeown, Edwards &
Lenahan, P.L.L.C.

[21] Appl. No.: **29/092,197**

[22] Filed: **Aug. 13, 1998**

[57] CLAIM

[51] **LOC (6) Cl.** **12-16**

The ornamental design for a bicycle rack subassembly, as shown and described.

[52] **U.S. Cl.** **D12/407**

[58] **Field of Search** D12/407; 224/424,
224/452, 450, 412, 419, 441, 454; 297/352;
280/202

DESCRIPTION

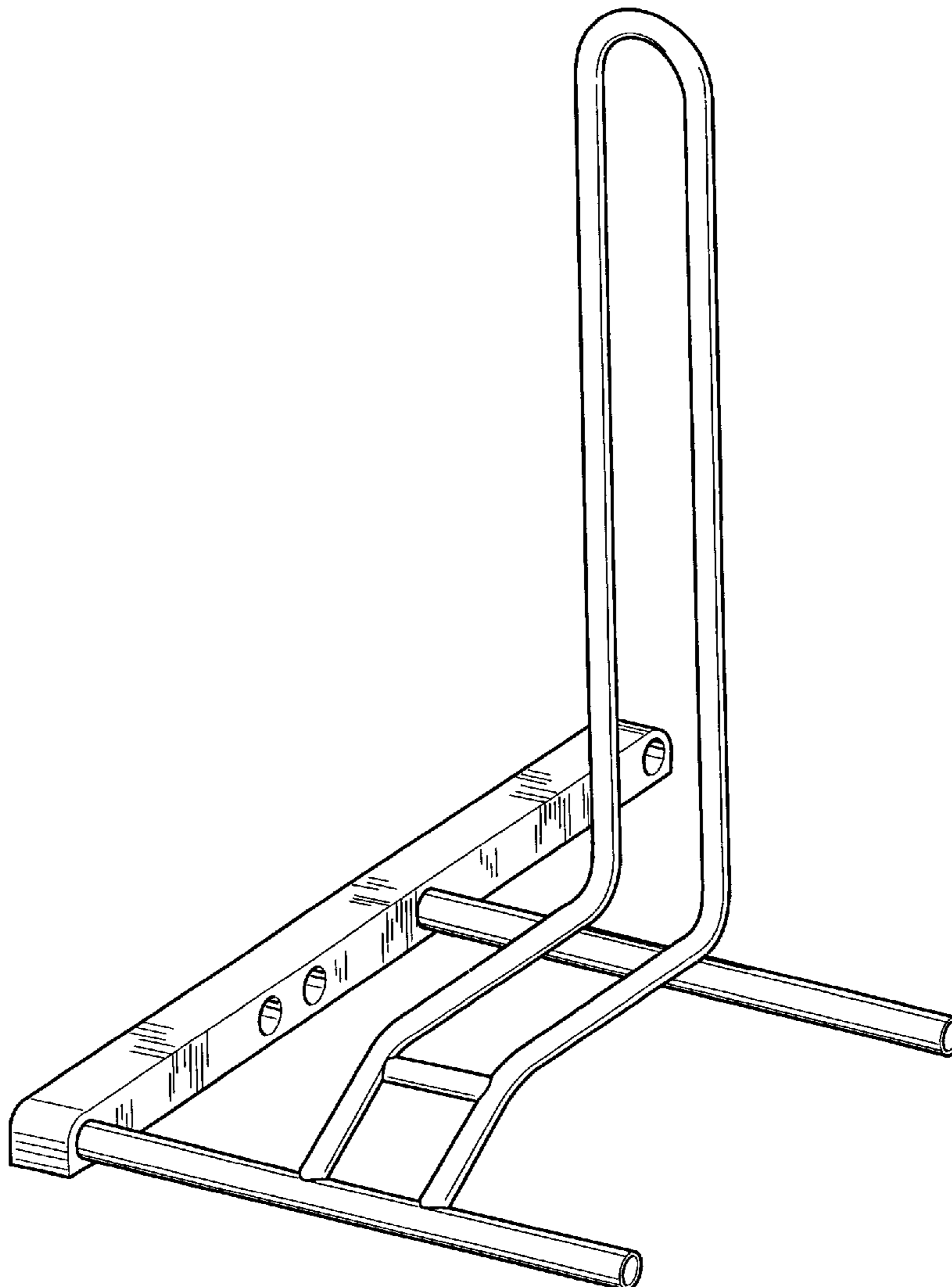
[56] References Cited

U.S. PATENT DOCUMENTS

D. 237,876 12/1975 McCrary D12/407
D. 299,818 2/1989 Blackburn D12/407
D. 388,394 12/1997 Gogan et al. D12/407

FIG. 1 is a right view of my bicycle rack subassembly, FIG. 2 is a front view of my bicycle rack subassembly, FIG. 3 is a left side of my bicycle rack subassembly, FIG. 4 is plan view of my bicycle rack subassembly; and, FIG. 5 is a perspective view of my bicycle rack subassembly.

1 Claim, 2 Drawing Sheets



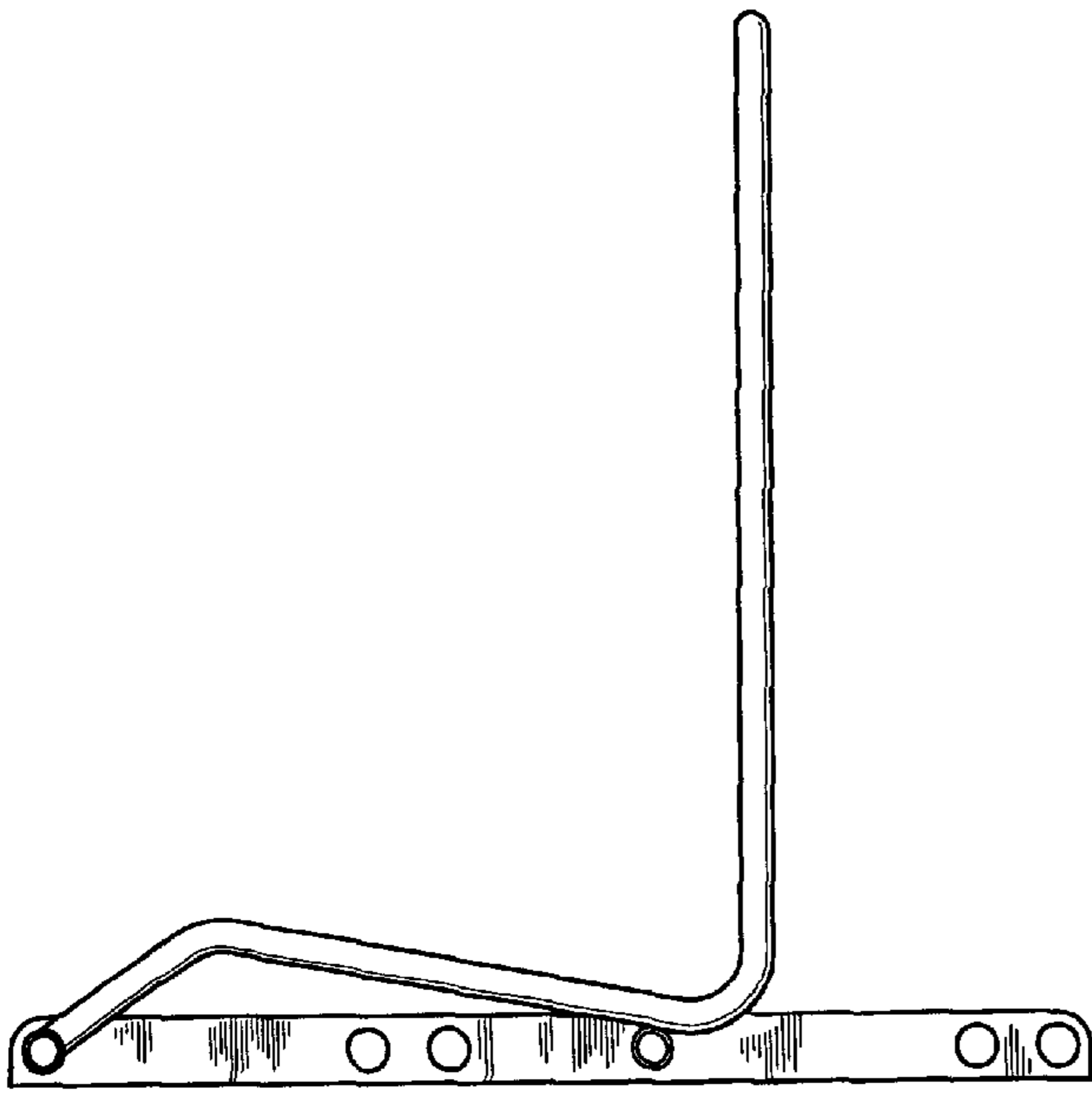


FIG 1

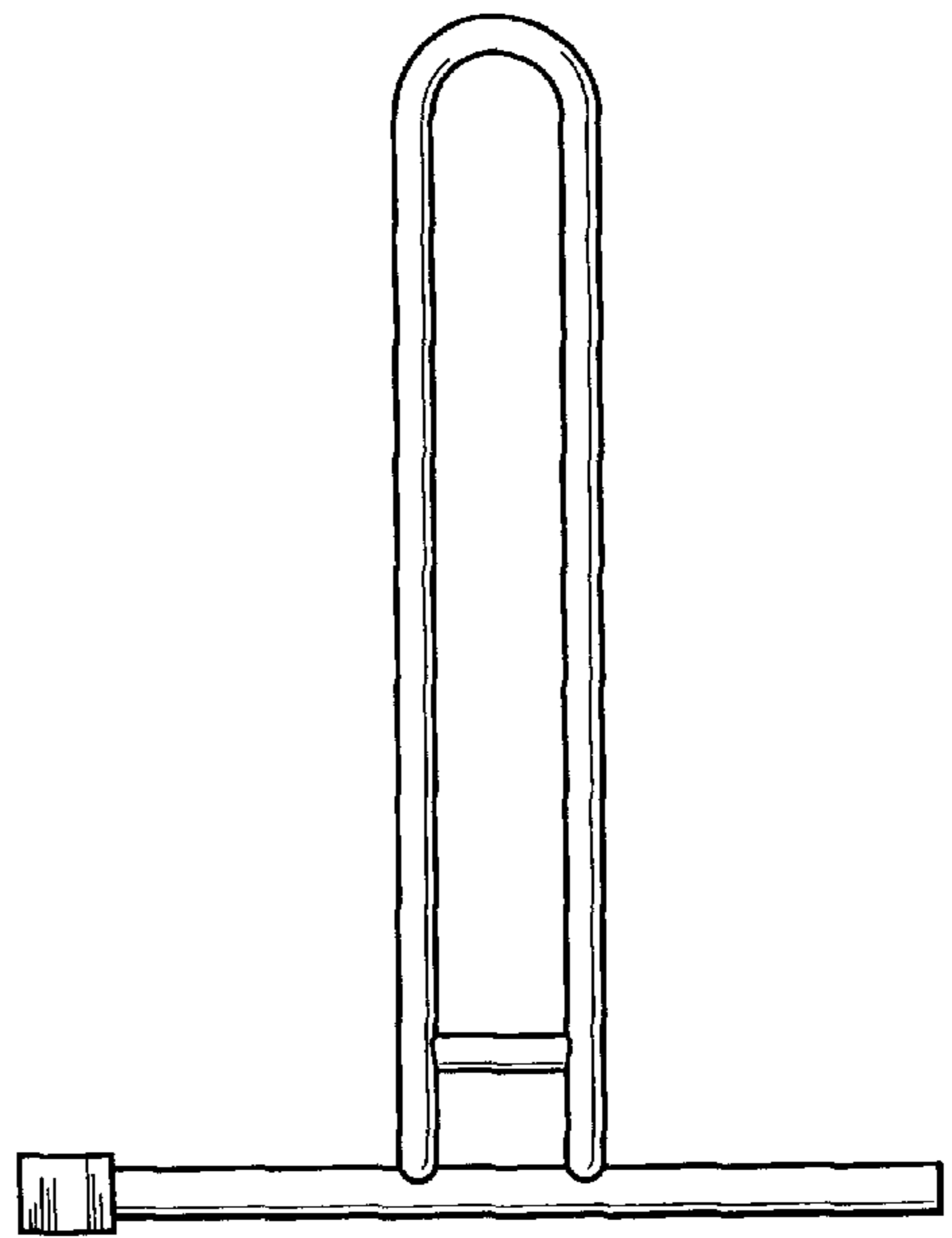


FIG 2

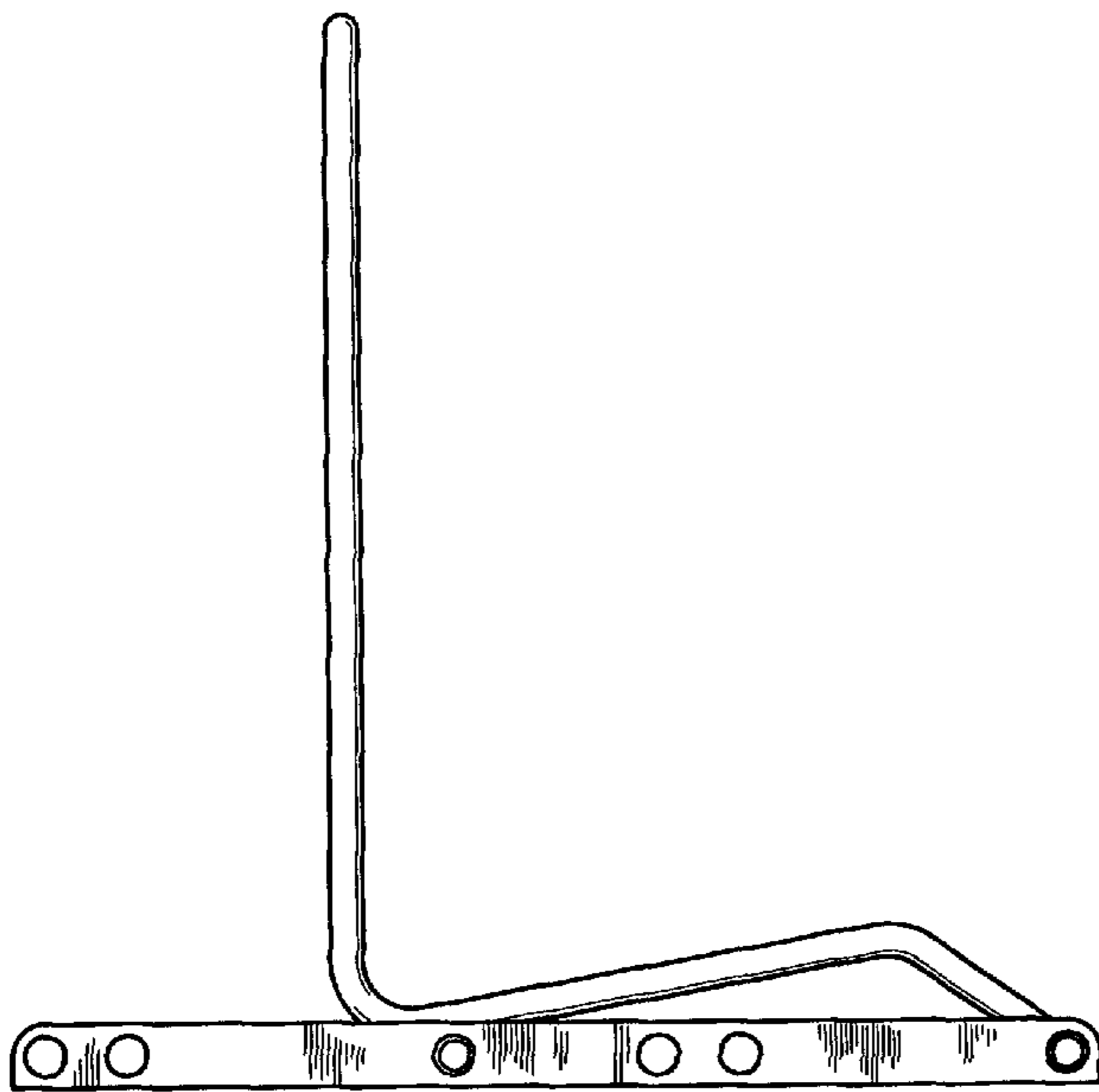


FIG 3

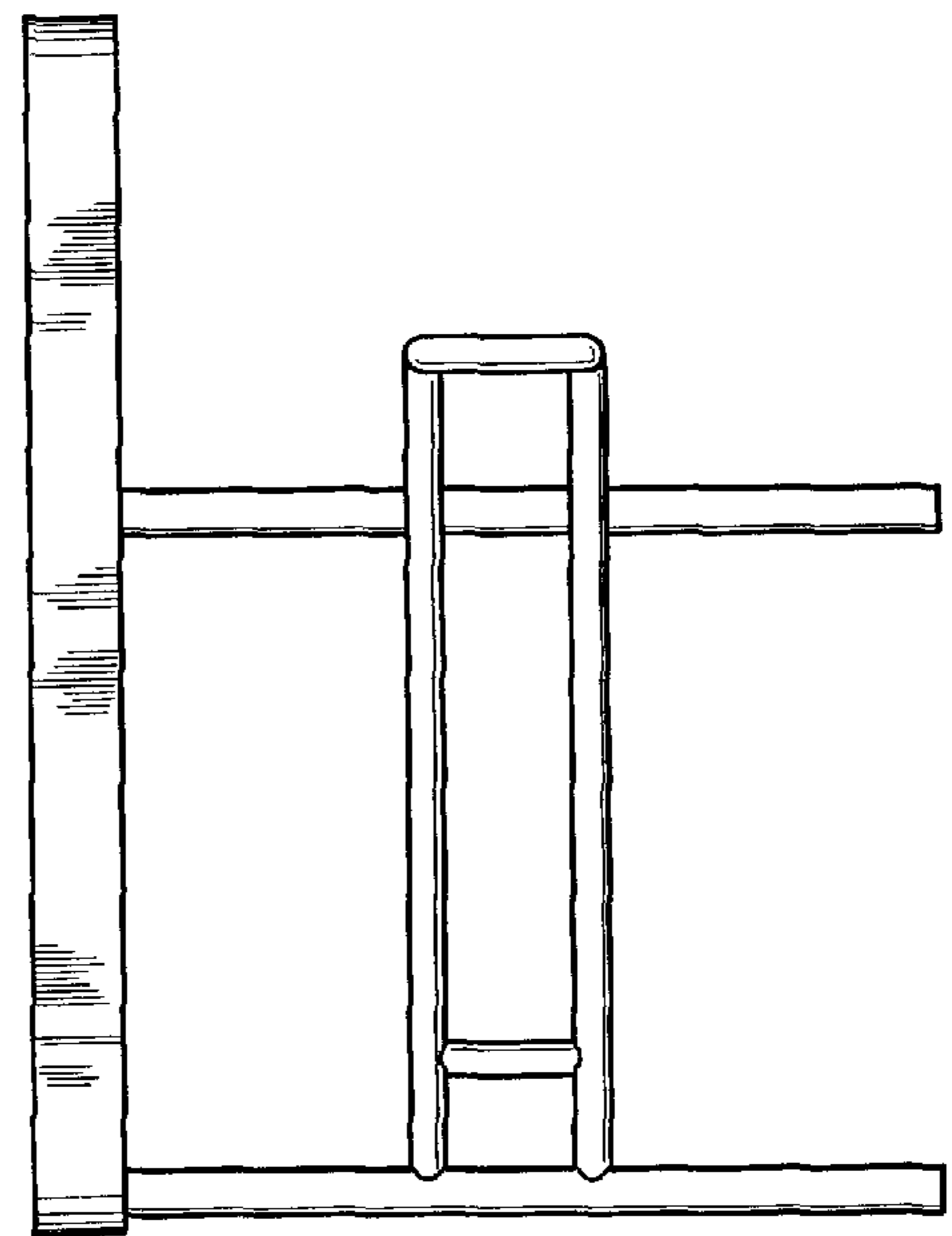


FIG 4

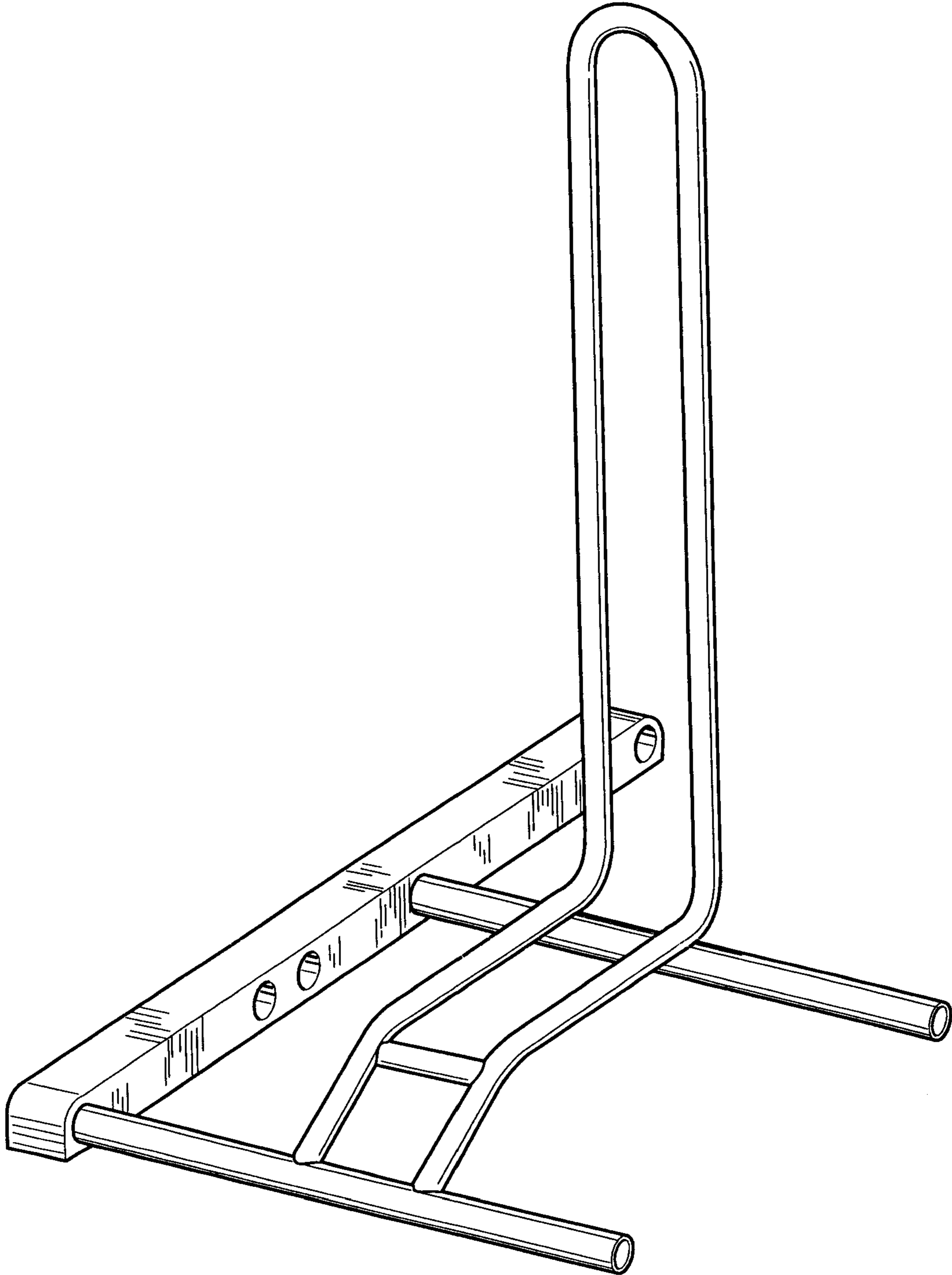


FIG 5