



US00D409133S

United States Patent [19]

Henry

[11] Patent Number: Des. 409,133

[45] Date of Patent: ** May 4, 1999

[54] WHEEL CHOCK

[76] Inventor: Stephen K. Henry, 3815 Northbrook Dr., C-21, Boulder, Colo. 80302

[**] Term: 14 Years

[21] Appl. No.: 29/066,613

[22] Filed: Feb. 13, 1997

[51] LOC (6) Cl. 12-06

[52] U.S. Cl. D12/217

[58] Field of Search D12/114, 120, D12/217; 188/4 R, 32; 224/524; 267/139, 140; 280/293

4,399,893 8/1983 Switzer 188/32
4,781,271 11/1988 Wokeck 188/32
5,465,814 11/1995 Ziaylek 188/32

Primary Examiner—Robert M. Spear
Attorney, Agent, or Firm—Dorr, Carson, Sloan & Birney, P.C.

[57] CLAIM

The ornamental design for a wheel chock, as shown and described.

DESCRIPTION

FIG. 1 is a front perspective view of a wheel chock showing my new design.

FIG. 2 is a front elevational view thereof.

FIG. 3 is a top plan view thereof, taken in the direction of arrow 3—3 in FIG. 2.

FIG. 4 is a right side elevational view thereof, taken in the direction of arrow 4—4 in FIG. 2, with the left side elevational view being a mirror image of FIG. 4.

FIG. 5 is a bottom plan view thereof.

FIG. 6 is a rear elevational view thereof, taken in the direction of arrow 6—6 in FIG. 4; and,

FIG. 7 is a bottom plan view of alternative embodiment of a wheel chock showing my new design.

[56] References Cited

U.S. PATENT DOCUMENTS

D. 219,236	11/1970	Hudak et al.	D12/217
D. 326,254	5/1992	Ziaylek, Jr. et al.	D12/217
D. 365,078	12/1995	Ziaylek	D12/217
1,971,402	8/1934	Goss	188/32
1,976,146	10/1934	Self	224/524
2,681,377	6/1954	Smithers	188/32
3,054,477	9/1962	Bustin	188/32
3,444,963	5/1969	Davis	D12/217 X
4,144,951	3/1979	Rea	188/32

1 Claim, 4 Drawing Sheets

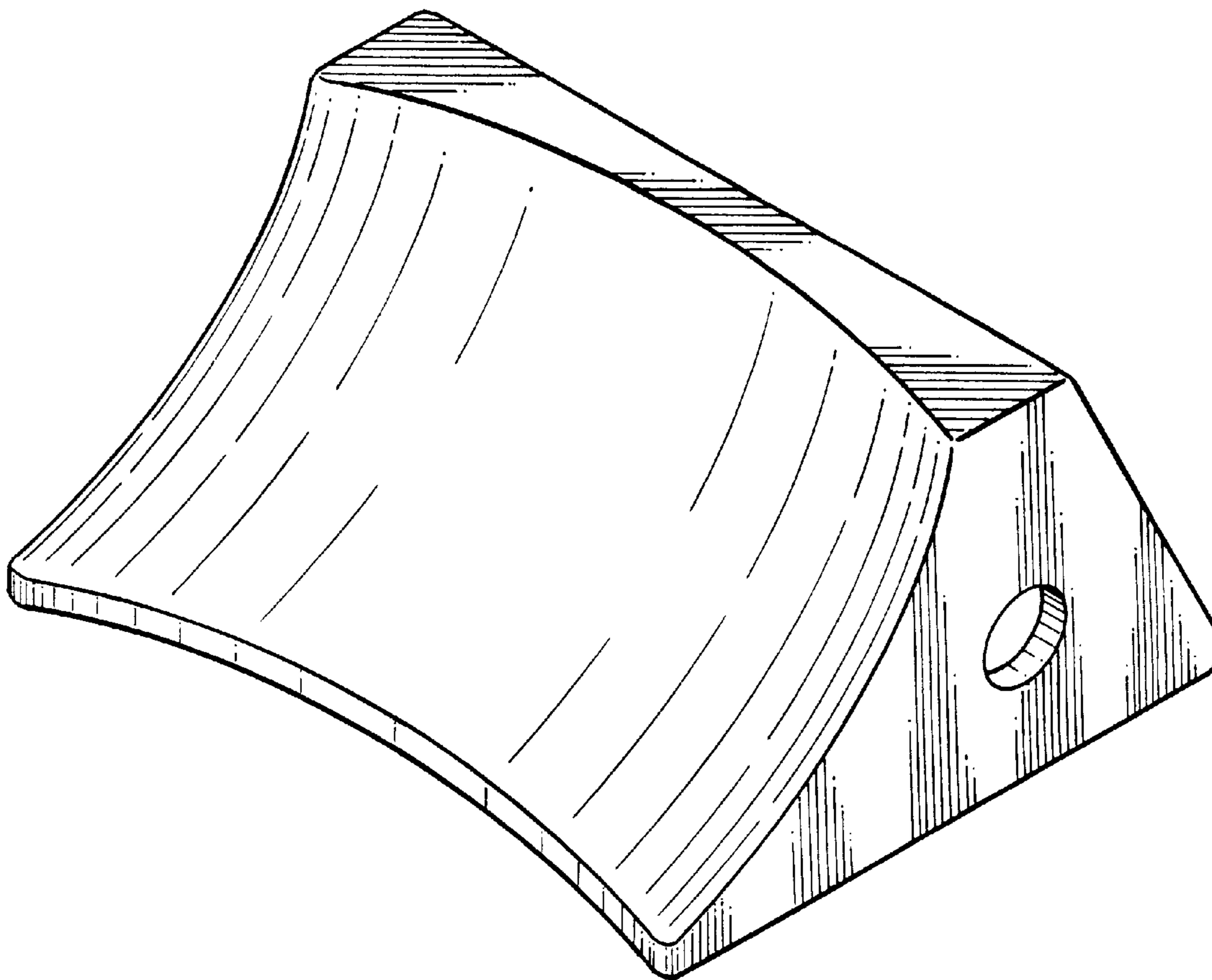


Fig. 1

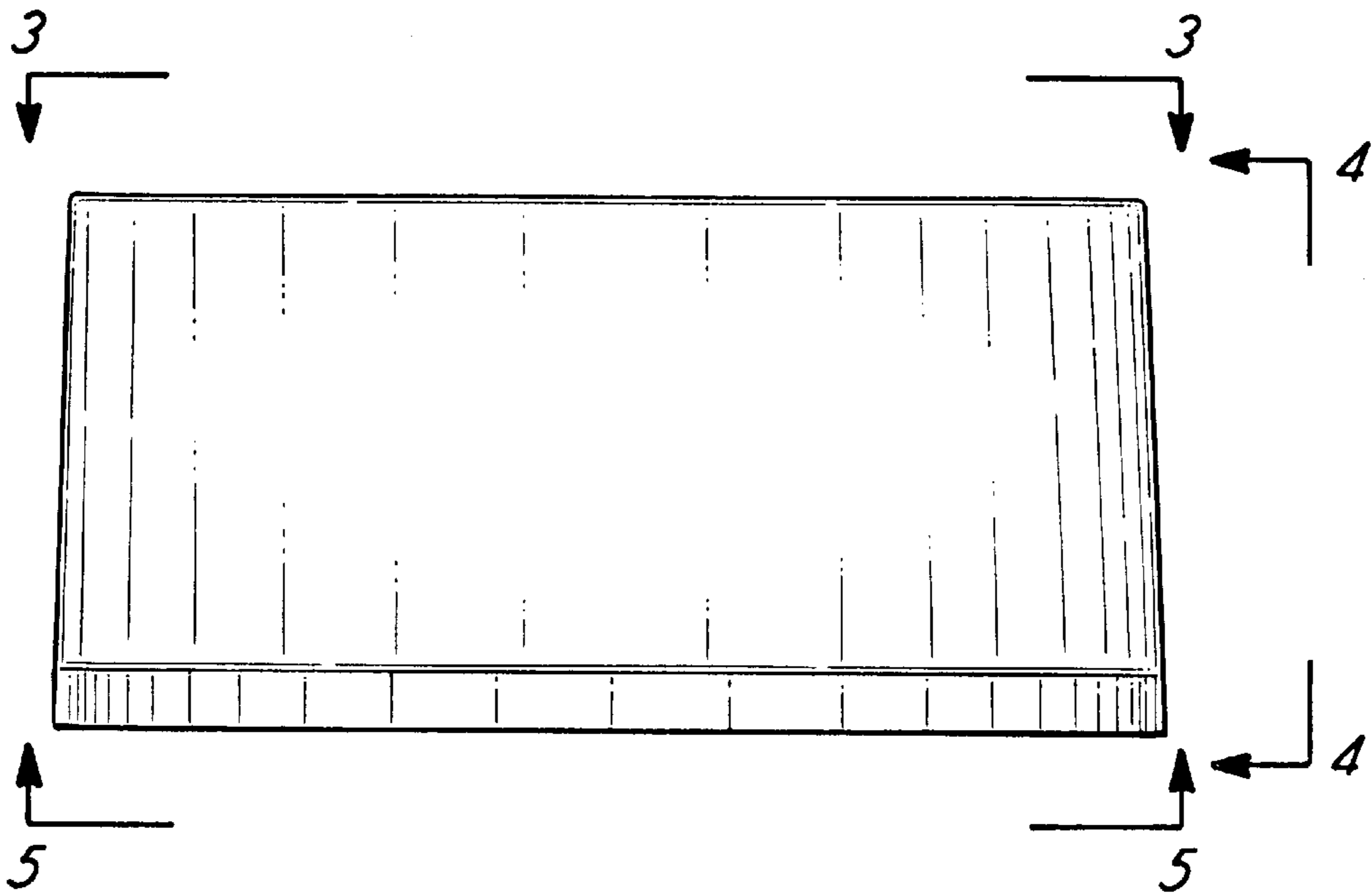
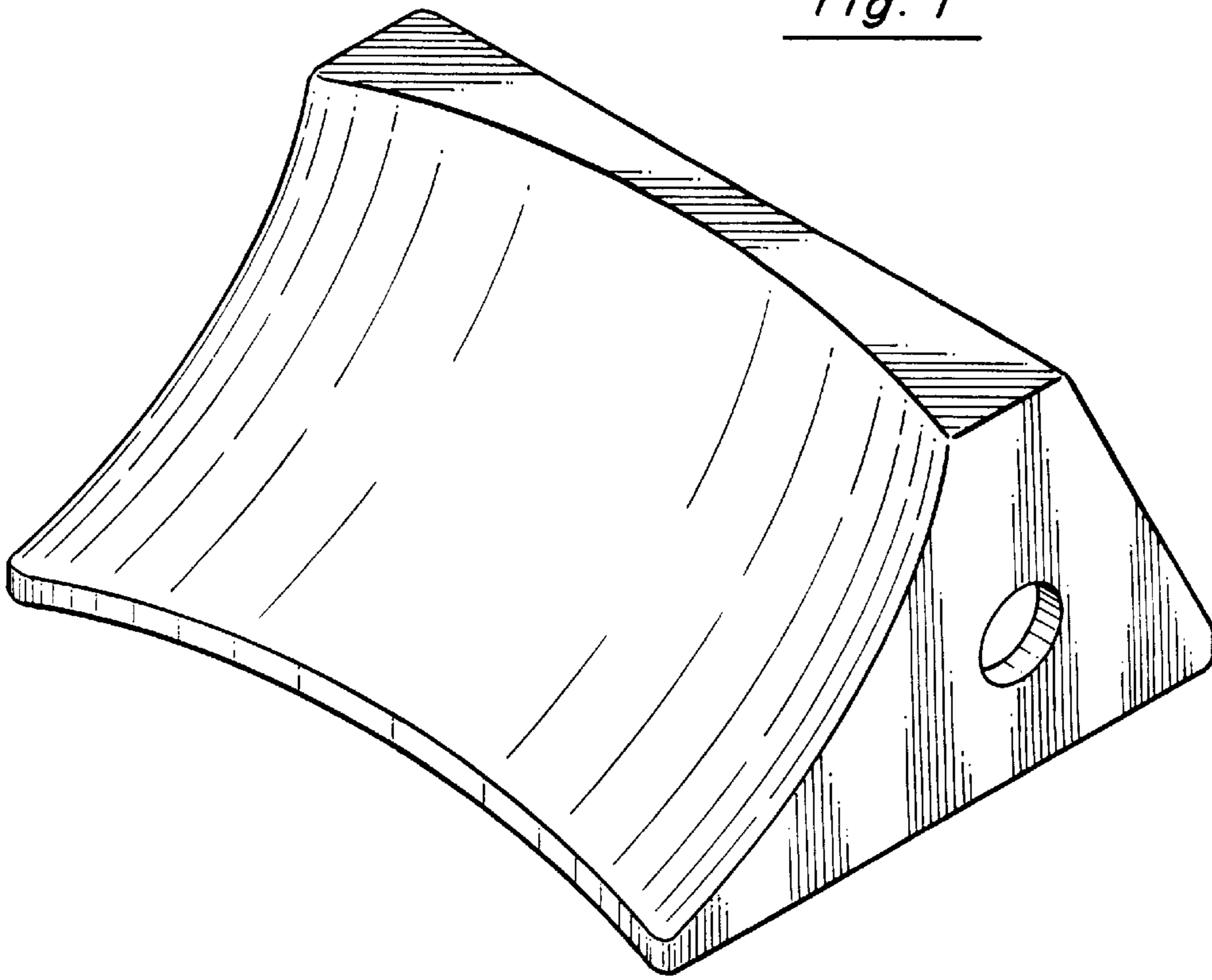


Fig. 2

Fig. 3

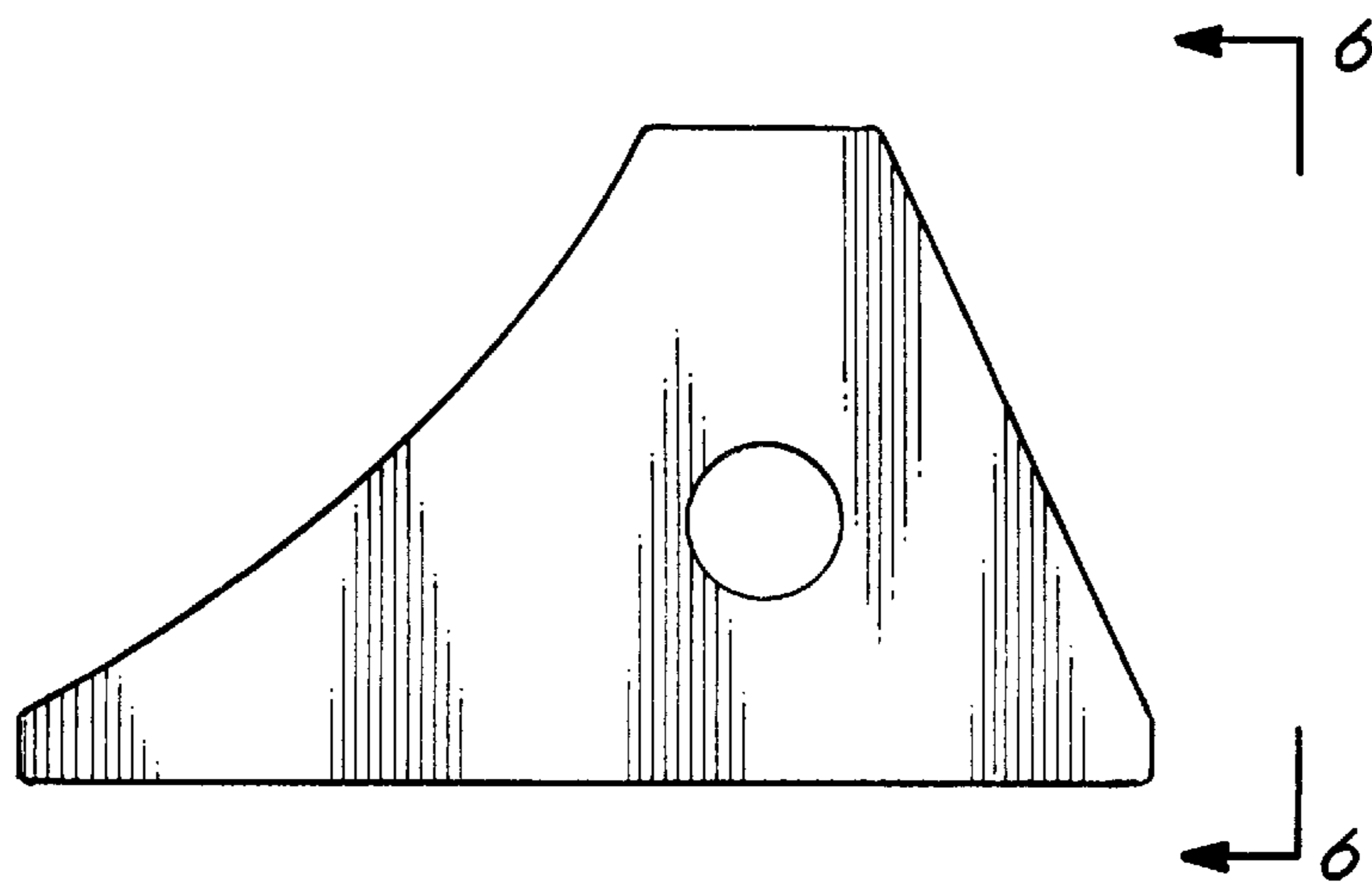
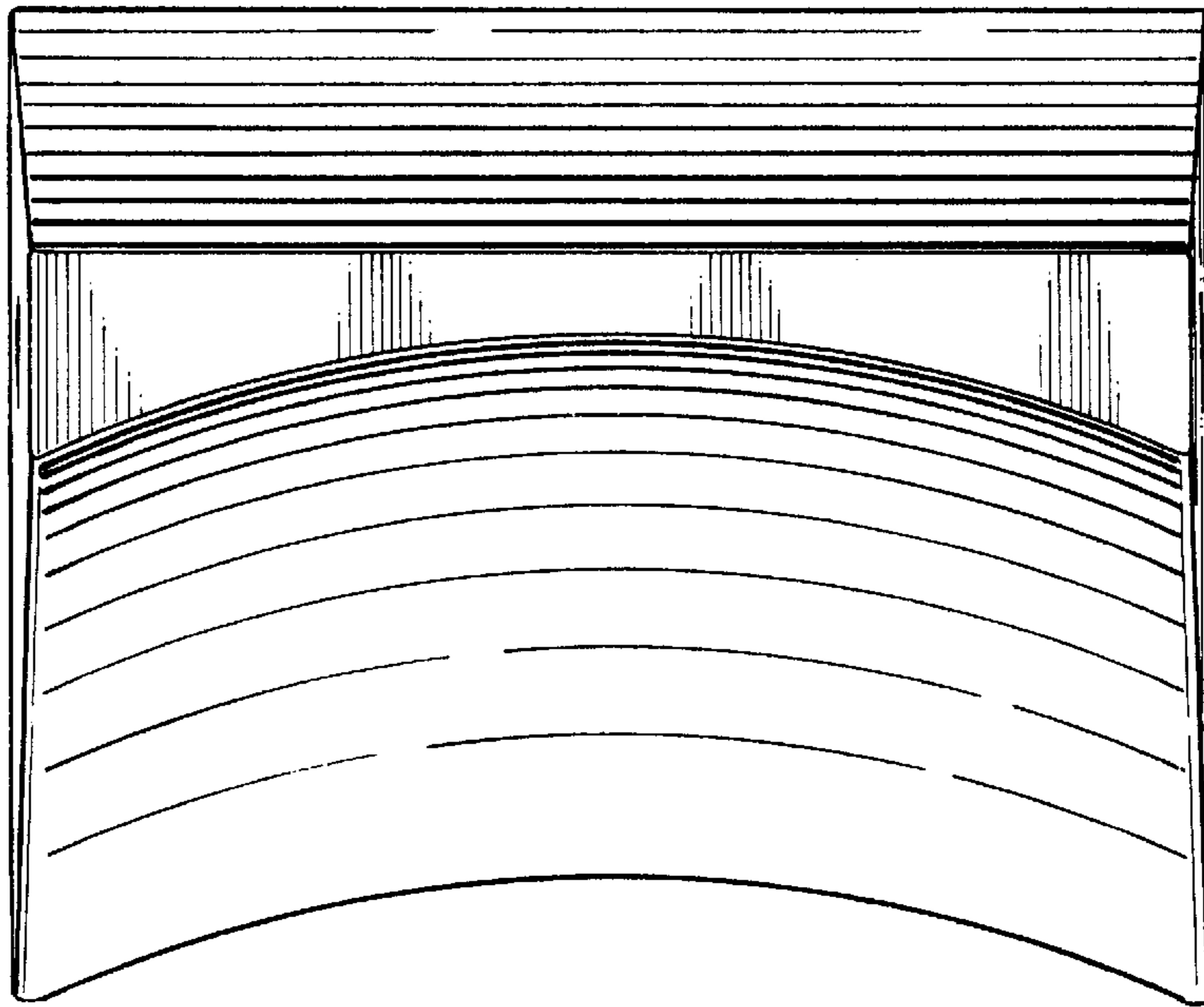


Fig. 4

Fig. 5

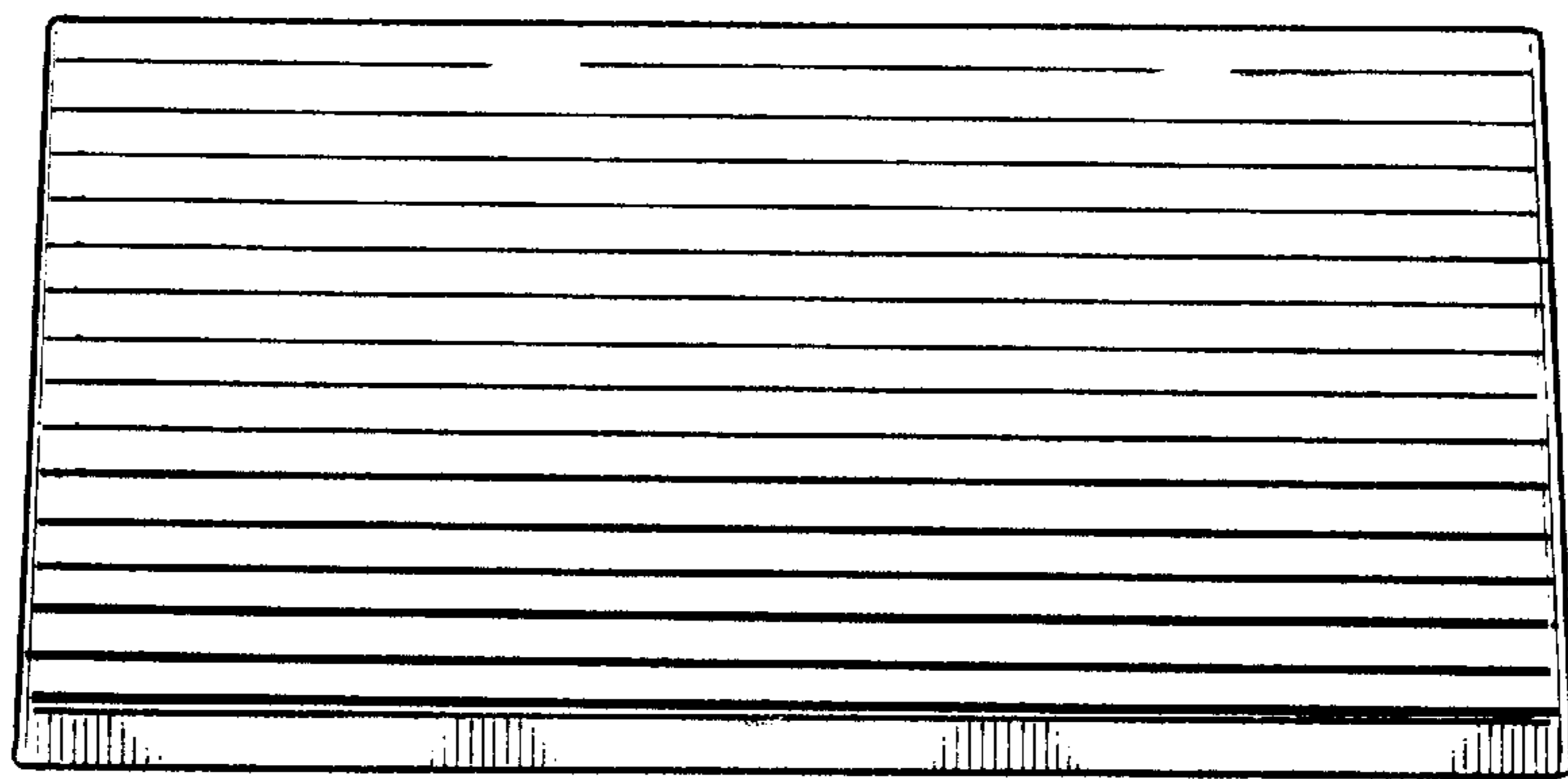
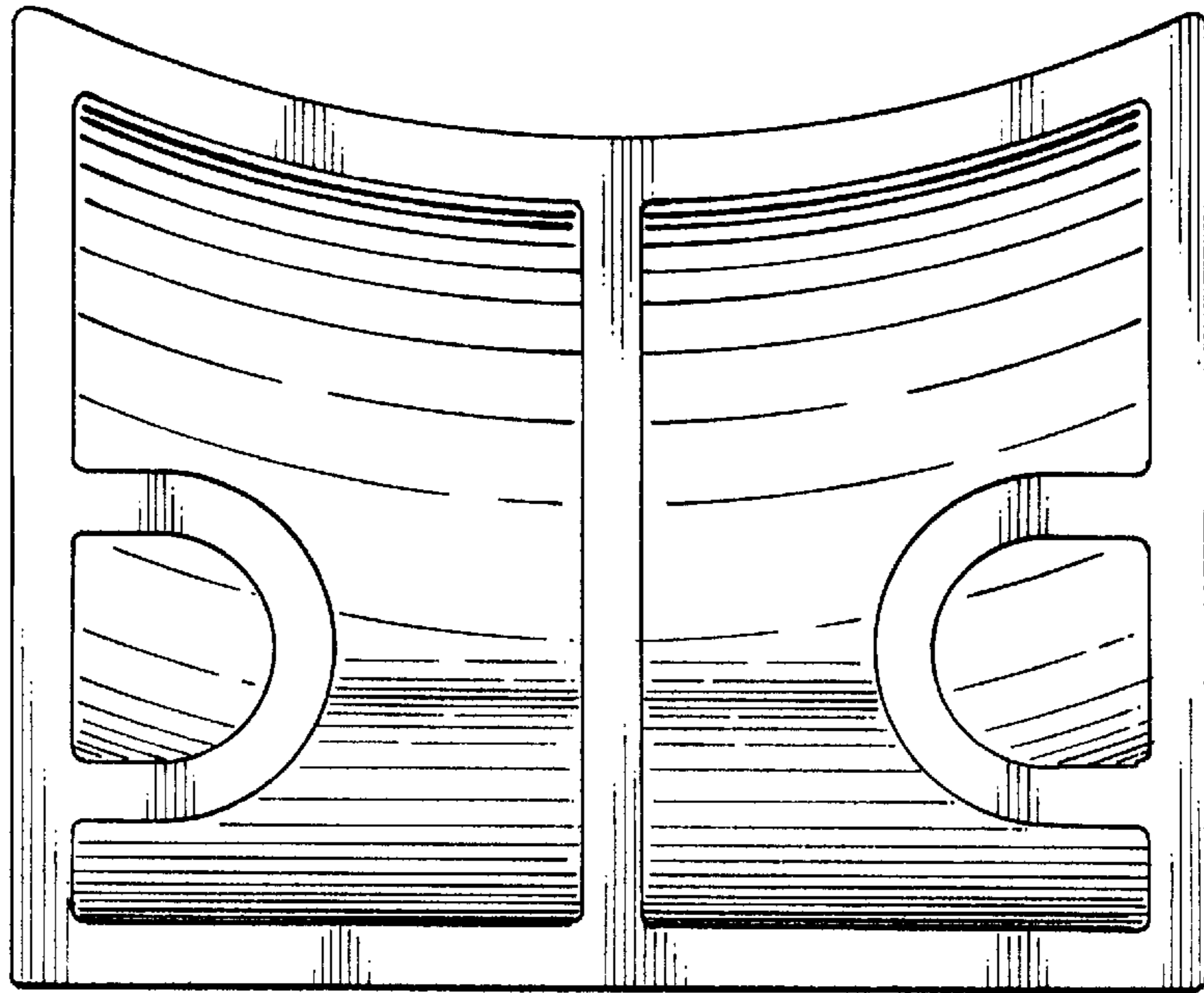


Fig. 6

Fig. 7

