

US00D409127S

# United States Patent [19]

Kim et al.

[11] Patent Number: Des. 409,127

[45] Date of Patent: \*\*May 4, 1999

[54] TWO-PART REARVIEW MIRROR FOR AUTOMOTIVE VEHICLES

[76] Inventors: **Richard H. Kim**, 10075 E. Warren Ave., Denver, Colo. 80231; **Bobby Kim**, 12331 R. Arkansas Ave., Aurora, Colo. 80012

[\*\*] Term: 14 Years

[21] Appl. No.: 29/085,600

[22] Filed: Mar. 26, 1998

### Related U.S. Application Data

[62] Division of application No. 29/069,653, Mar. 31, 1997.

[51] LOC (6) Cl. .... 12-16

[52] U.S. Cl. .... D12/187

[58] Field of Search ..... D12/187, 188, D12/189; 359/629, 838, 841, 842, 844-846, 850, 854-855, 864-866, 868, 871-873, 875, 879, 880, 881, 848; 248/74.3, 302-303, 475.1, 475 R, 479-480, 485-487, 476; D8/370

### [56] References Cited

#### U.S. PATENT DOCUMENTS

- D. 056,030 8/1920 Rees .
- D. 065,014 6/1924 Rivard .
- D. 074,625 3/1928 Rivard .
- D. 214,436 6/1969 Torres .
- D. 219,337 12/1970 Monos .
- D. 220,480 4/1971 Kesler .
- D. 226,845 5/1973 Lapidus ..... D12/187
- D. 227,561 7/1973 Fischer .
- D. 239,932 5/1976 Kim .
- D. 246,099 10/1977 Hassinger .
- D. 250,332 11/1978 Aiga .
- D. 316,996 5/1991 Swauger .
- D. 345,334 3/1994 Cathy ..... D12/187
- D. 365,317 12/1995 Hellmund .
- D. 375,070 10/1996 Yeabower .
- 1,376,377 4/1921 Mee .
- 1,634,748 7/1927 Ishinger .
- 2,214,639 9/1940 Lenta .
- 2,605,676 8/1952 Couch .

- 2,869,425 1/1959 Kershaw .
- 3,021,756 2/1962 Milton et al. .
- 3,048,084 8/1962 Iannuzzi .
- 3,146,296 8/1964 Fischer .
- 3,180,219 4/1965 Ruiz et al. .
- 3,389,952 6/1968 Tobin, Jr. .

(List continued on next page.)

#### FOREIGN PATENT DOCUMENTS

- 157845 7/1954 Australia .
- 310261 4/1989 European Pat. Off. .
- 2472493 7/1981 France .
- 2588808 4/1987 France .
- 1530622 8/1969 Germany .
- 11941895 3/1971 Germany .
- 1947956 4/1971 Germany .
- 1655862 7/1971 Germany .
- 2725952 12/1978 Germany .
- 2849468 5/1980 Germany .
- 3401033 7/1985 Germany .
- 3502203 7/1986 Germany .
- 3633693 4/1988 Germany .
- 3924630 1/1991 Germany .
- 110638 8/1980 Japan .
- 2092534 8/1982 United Kingdom .

Primary Examiner—Ralf Seifert  
Attorney, Agent, or Firm—Dorsey & Whitney LLP

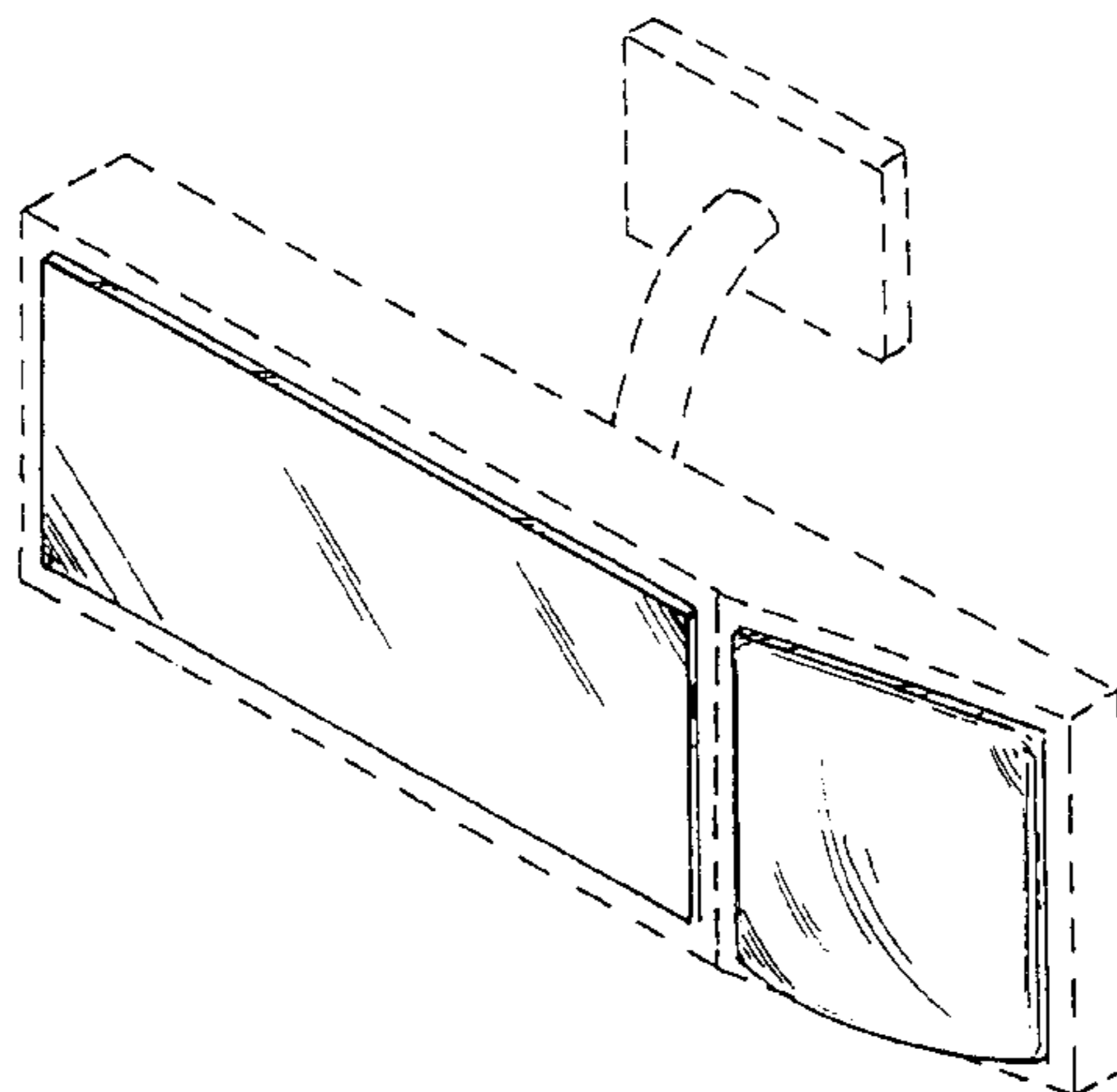
### [57] CLAIM

We claim the ornamental design for a two-part rearview mirror for automotive vehicles, as shown and described.

### DESCRIPTION

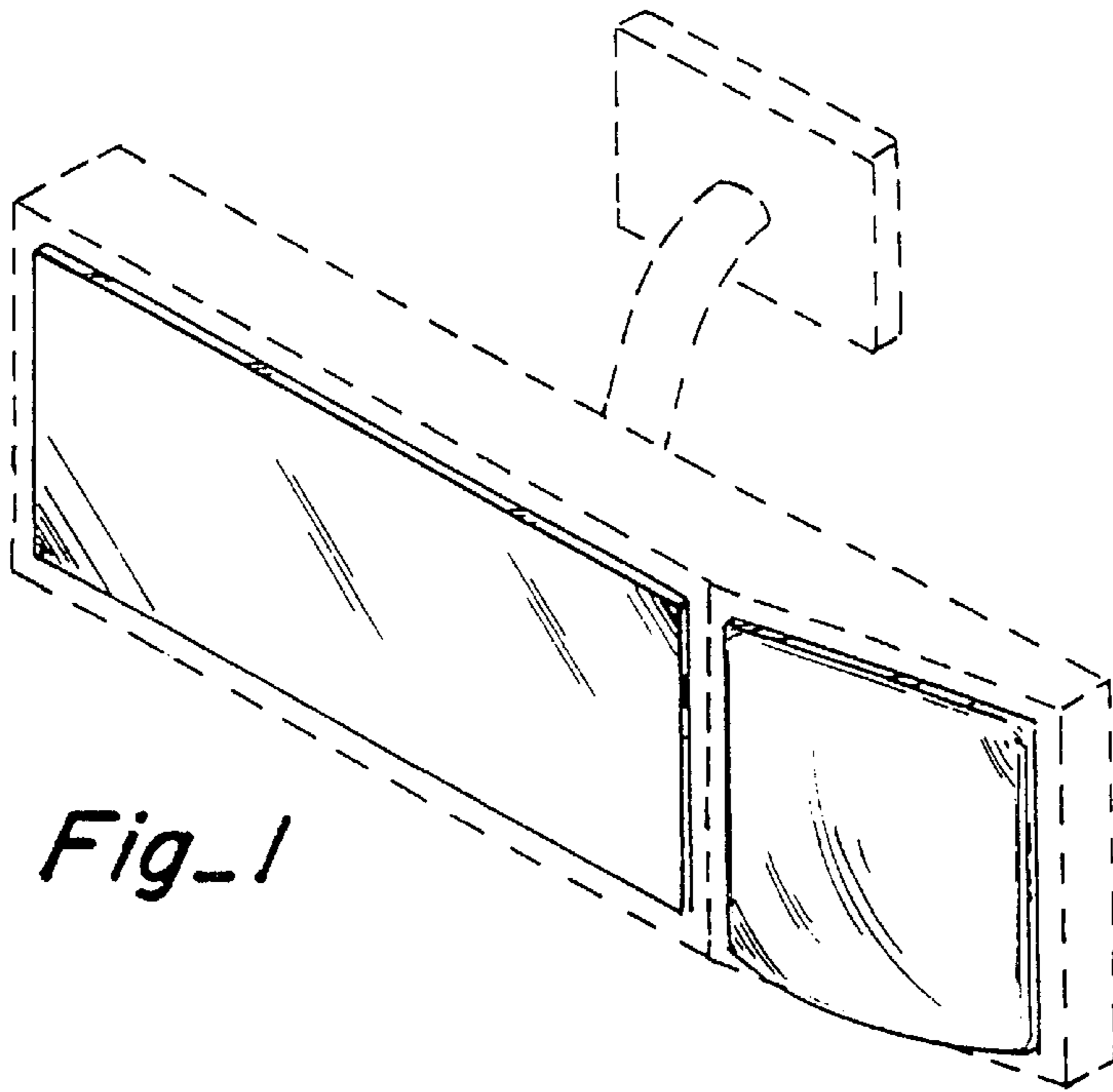
FIG. 1 is a perspective view of a two-part rearview mirror for automotive vehicles showing our new design; FIG. 2 is a front elevational view; FIG. 3 is a top plan view, the bottom plan view being a mirror image; FIG. 4 is a left side elevational view; and, FIG. 5 is a right side elevational view. The broken line showing of a mirror housing in FIGS. 1 and 2 is for illustrative purposes only and forms no part of the claimed design.

1 Claim, 1 Drawing Sheet

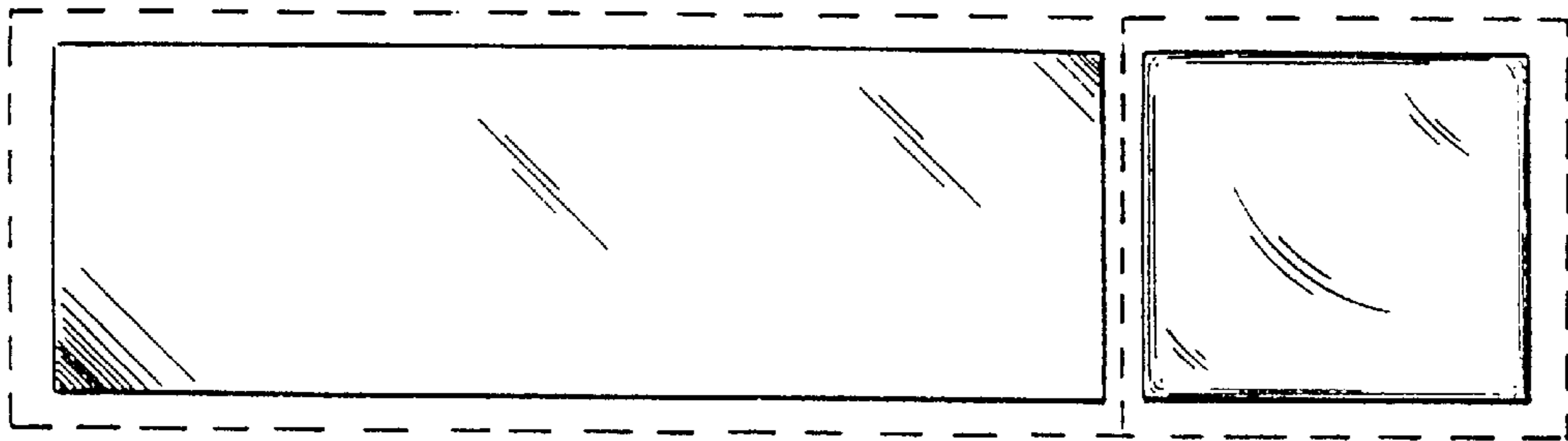


U.S. PATENT DOCUMENTS

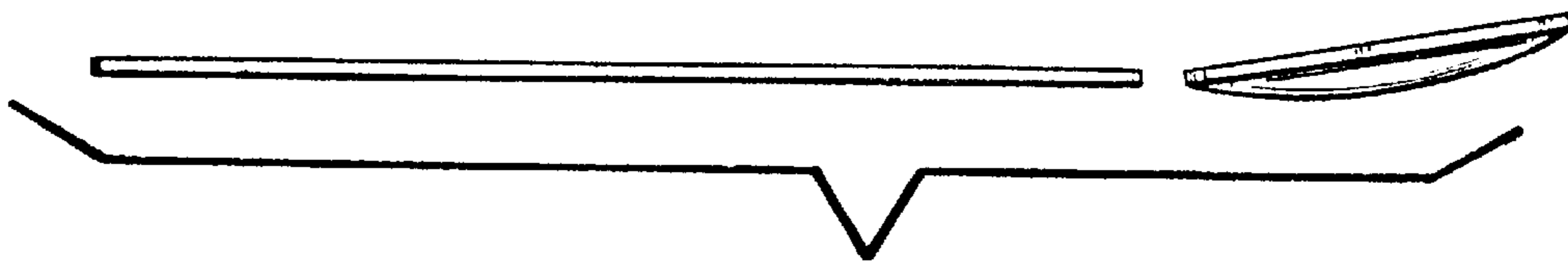
3,628,851	12/1971	Robertson .	4,714,322	12/1987	Cook .
4,052,124	10/1977	Marcus .	4,824,231	4/1989	Quintana .
4,088,398	5/1978	Zoursel .	5,005,962	4/1991	Edelman .
4,258,979	3/1981	Mahin .	5,057,159	10/1991	Weintraub .
4,264,144	4/1981	McCord .	5,061,003	10/1991	Gabas .
4,331,382	5/1982	Graff .	5,061,004	10/1991	Happich et al. .
4,345,819	8/1982	Villa-Real .	5,115,352	5/1992	do Espirito Santo .
4,486,075	12/1984	Cohen .	5,153,781	10/1992	Brandt .
4,575,202	3/1986	McGuire .	5,214,540	5/1993	Yakimovsky .
4,674,850	6/1987	Blom .	5,295,021	3/1994	Swanson .
			5,517,367	5/1996	Kim et al. .



*Fig\_1*



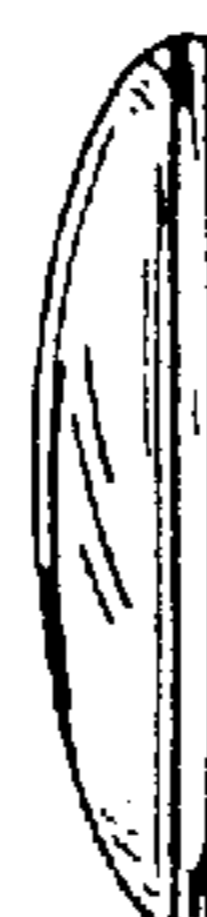
*Fig\_2*



*Fig\_3*



*Fig\_4*



*Fig\_5*