



US00D409126S

United States Patent [19]
Hoyle, Jr.

[11] **Patent Number: Des. 409,126**

[45] **Date of Patent: ** May 4, 1999**

[54] **TEARDROP SHAPED HEAD LAMP
OPENINGS FOR USE WITH A VEHICLE
BUMPER**

[75] Inventor: **Frederick L. Hoyle, Jr.**, Pickerington,
Ohio

[73] Assignee: **An-Dick-Ro**, Columbus, Ohio; a part
interest

[**] Term: **14 Years**

[21] Appl. No.: **29/063,260**

[22] Filed: **Dec. 3, 1996**

[51] **LOC (6) Cl.** **12-16**

[52] **U.S. Cl.** **D12/169**

[58] **Field of Search** D12/169, 90-92;
D26/28; 293/115, 120, 103

[56] **References Cited**

U.S. PATENT DOCUMENTS

D. 120,209	4/1940	Ache	D12/169
D. 186,160	9/1959	Schemansky	D12/92
D. 187,368	3/1960	MacKichan	D12/92
D. 354,363	1/1995	Tsai	D26/28
D. 364,239	11/1995	Sauo et al.	D26/28
D. 382,659	8/1997	Kaloustian	D26/28
5,482,336	1/1996	Rouse et al.	293/115

Primary Examiner—Melody N. Brown
Attorney, Agent, or Firm—Gifford, Krass, Groh, Sprinkle,
Anderson & Citkowski, P.C.

[57] **CLAIM**

I claim the ornamental design for a teardrop shaped head lamp opening for use with a bumper, as shown and described.

DESCRIPTION

FIG. 1 is a side perspective view of teardrop shaped head lamp openings for use with a vehicle bumper showing my new design;

FIG. 2 is a front view thereof;

FIG. 3 is a partial front view of the headlamp openings of the vehicle bumper design according to a first preferred embodiment;

FIG. 4 is a cutaway view taken along line 4—4 of FIG. 3 and illustrating a first cross section of the headlamp openings according to the first preferred embodiment of the present design;

FIG. 5 is a cutaway view taken along line 5—5 of FIG. 3 and illustrating a second cross section of the headlamp openings according to the first preferred embodiment of the present design;

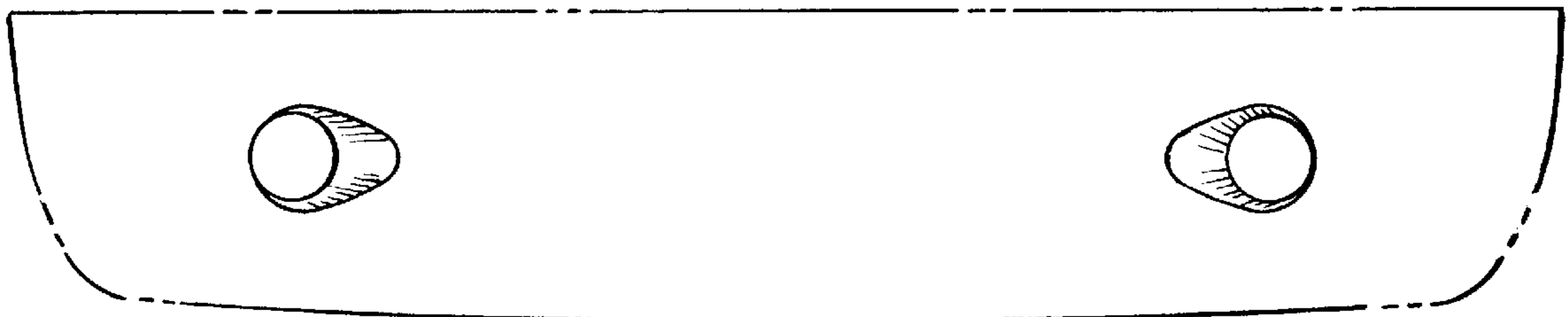
FIG. 6 is a partial front view of the headlamp openings of the vehicle bumper design according to a second preferred embodiment;

FIG. 7 is a cutaway view taken along line 7—7 of FIG. 6 and illustrating a first cross section of the headlamp openings according to the second preferred embodiment of the present design; and,

FIG. 8 is a cutaway view taken along line 8—8 of FIG. 6 and illustrating a second cross section of the headlamp openings according to the second preferred embodiment of the present design.

The vehicle bumper shown in broken lines are for illustrative purposes only and form no part of the claimed design.

1 Claim, 2 Drawing Sheets



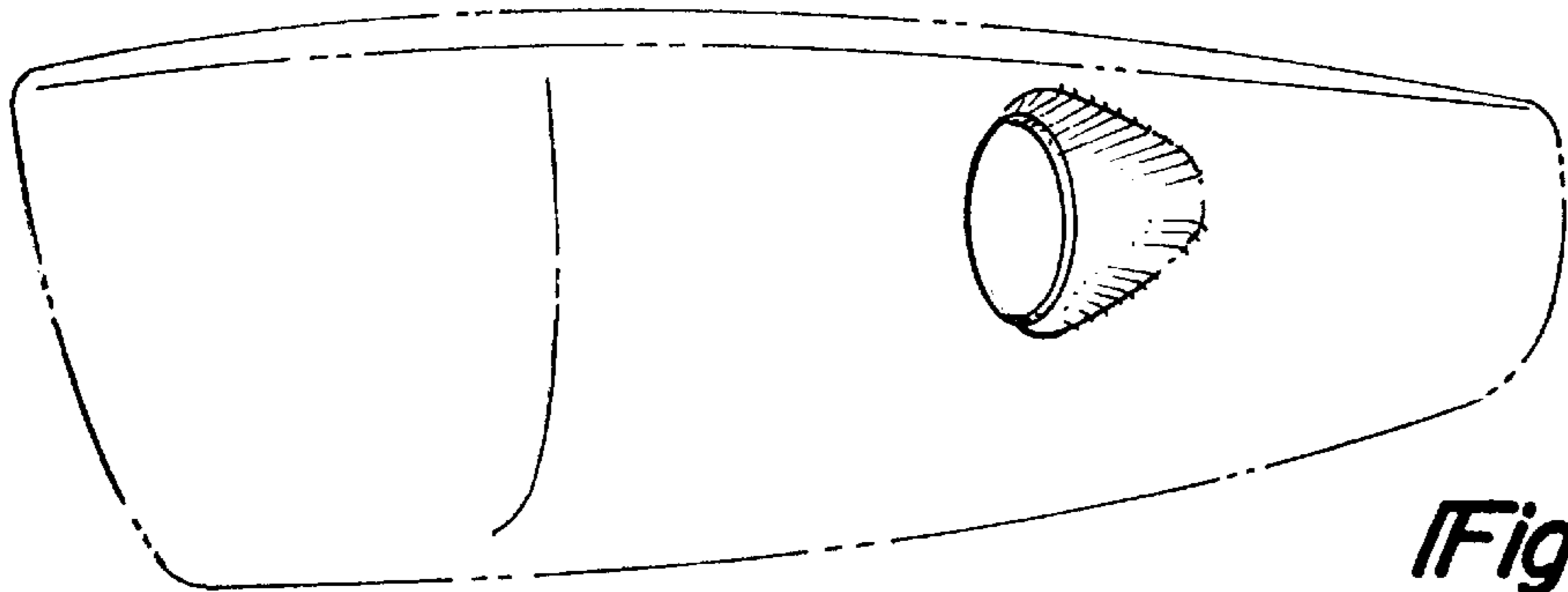
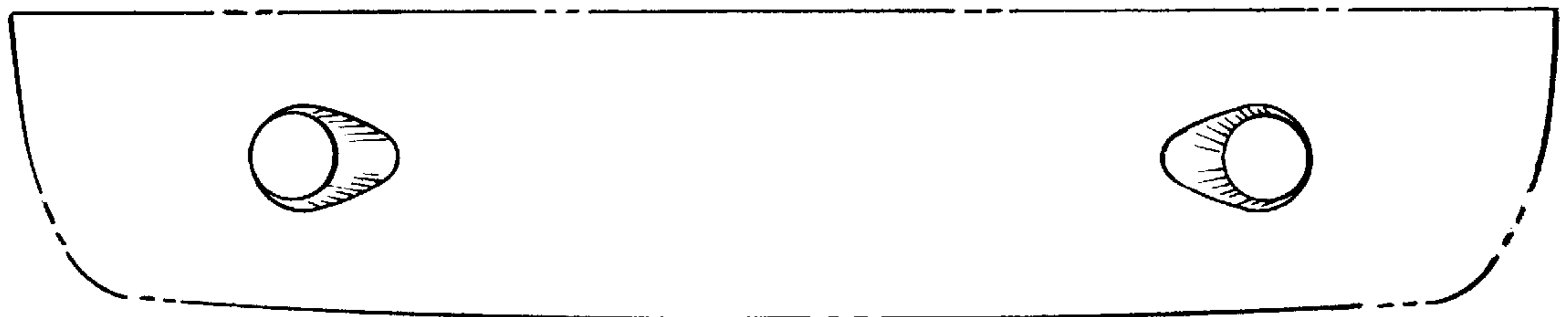


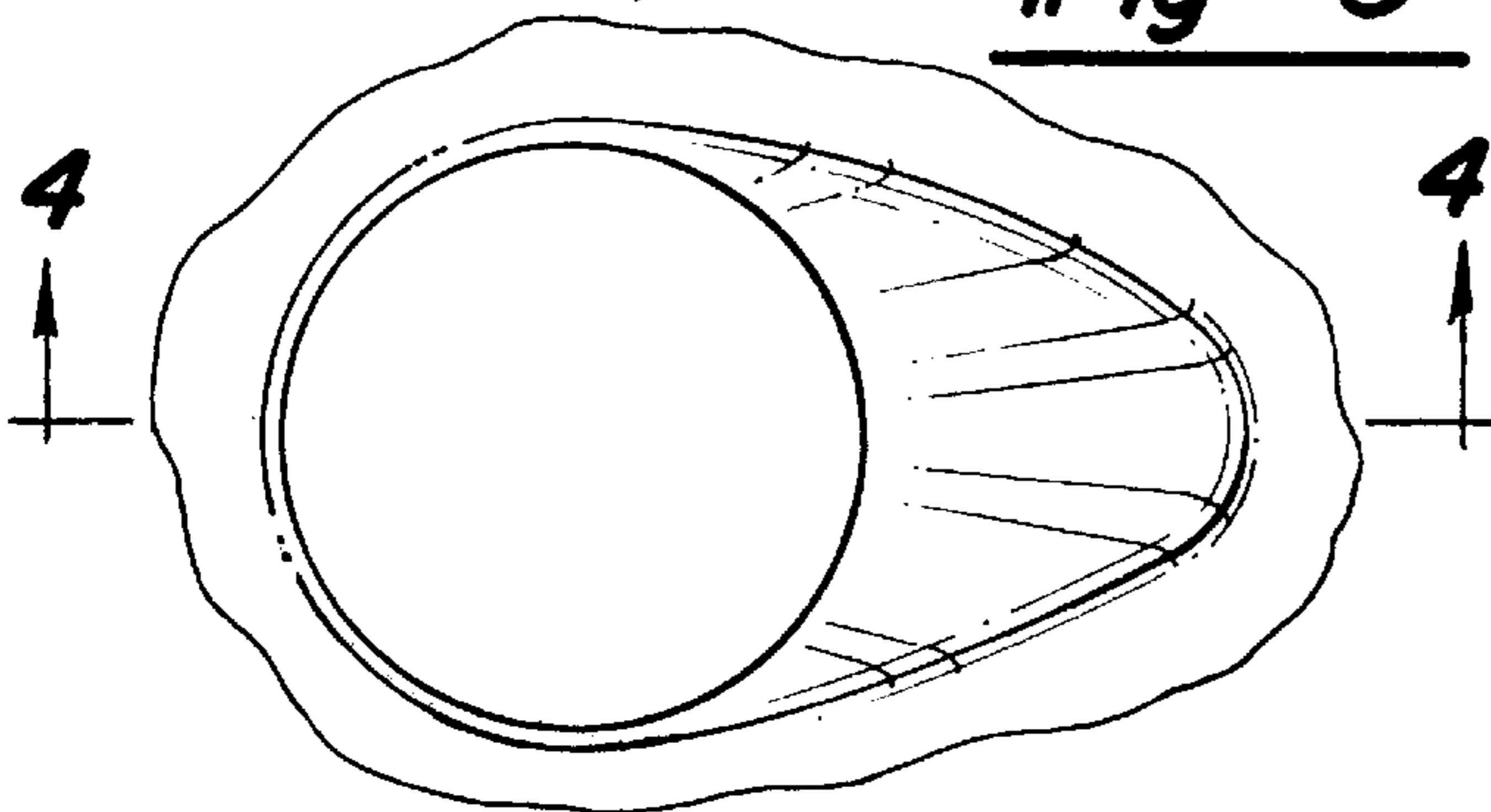
Fig - 1

Fig - 2



5 ←

Fig - 3



5 ←



Fig - 5

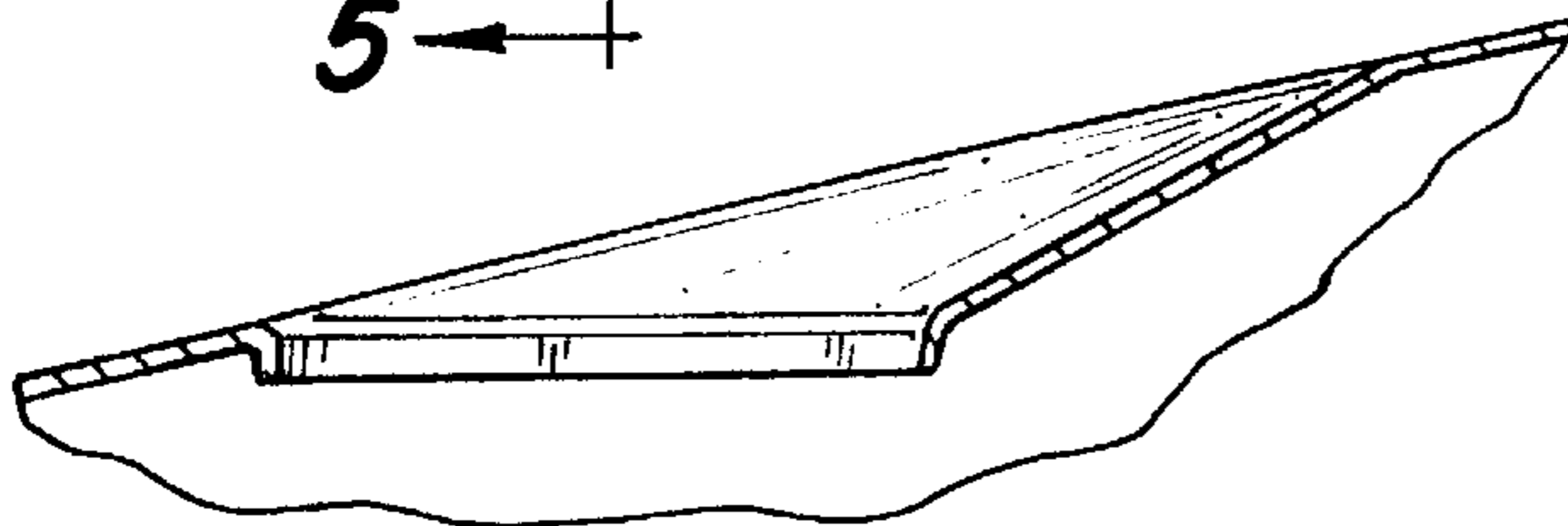


Fig - 4

