



US00D409125S

United States Patent [19]
Wang

[11] **Patent Number: Des. 409,125**

[45] **Date of Patent: ** May 4, 1999**

[54] **TRAILER CONNECTOR INSERT**

[76] Inventor: **Jen-Ching Wang**, No. 27, Alley 4,
Lane 446, Fu Hsin Rd., Shu Lin Chen,
Taipei County, Taiwan

[**] Term: **14 Years**

[21] Appl. No.: **29/088,699**

[22] Filed: **May 29, 1998**

[51] **LOC (6) Cl.** **12-16**

[52] **U.S. Cl.** **D12/162; D13/146**

[58] **Field of Search** **D12/162; D23/260;**
D13/146, 148, 156; 439/35, 36, 148, 692

[56] **References Cited**

U.S. PATENT DOCUMENTS

D. 116,024	8/1939	Gassman	D23/260
D. 200,157	1/1965	Vincent	D13/146
D. 210,207	2/1968	DeLyon	D13/146
D. 225,740	1/1973	Thompson	D13/146
D. 260,879	9/1981	Avramovich	D13/156
D. 342,937	1/1994	Angel, Jr. et al.	D13/146

5,431,815	7/1995	Te-Shin	138/89
5,626,479	5/1997	Hughes	439/35
5,657,792	8/1997	Prest	138/89
5,766,020	6/1998	Hughes	439/35

Primary Examiner—Robert M. Spear
Attorney, Agent, or Firm—Pro-Techtor International Services

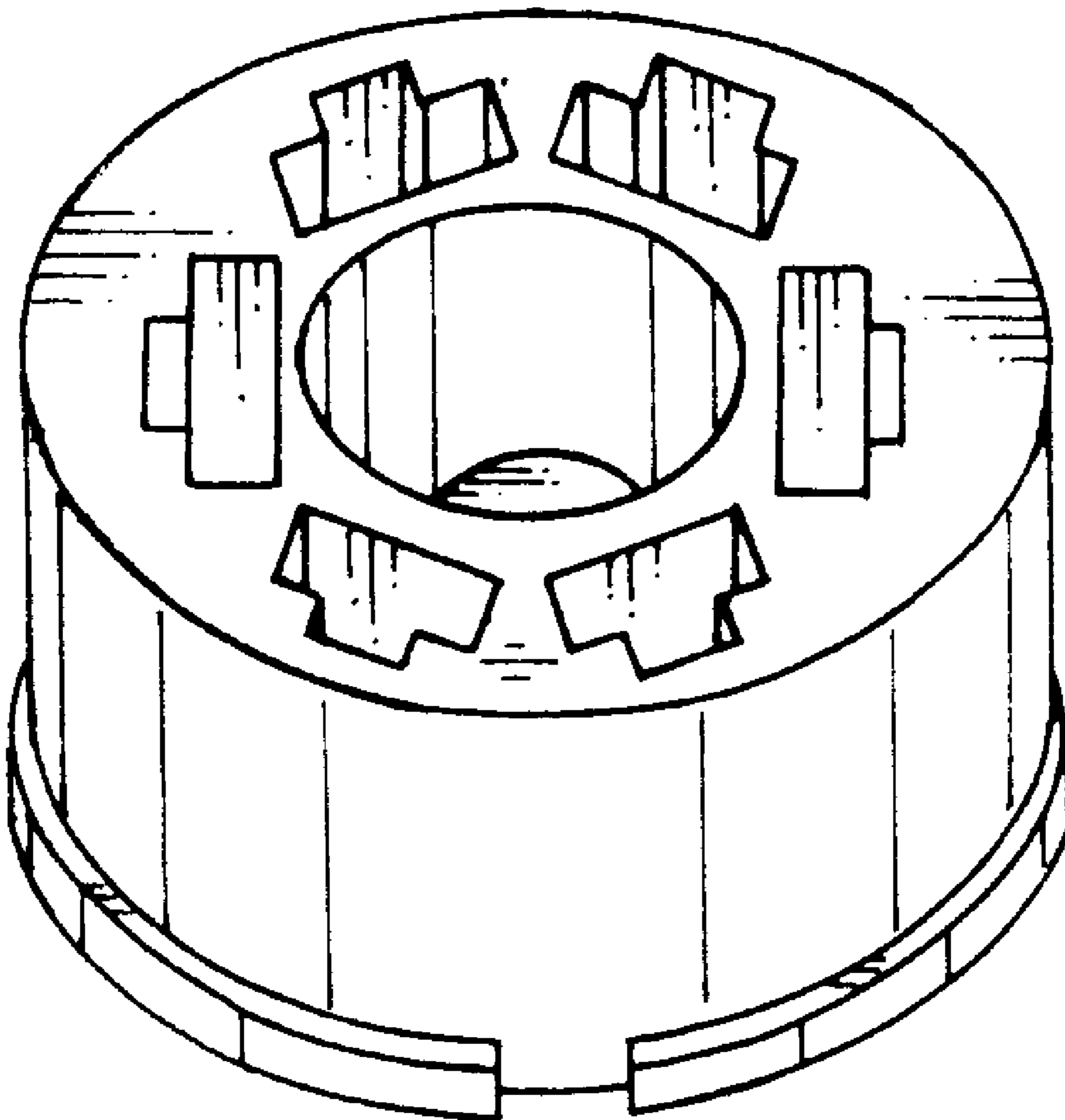
[57] **CLAIM**

The ornamental design for trailer connector insert, as shown and described.

DESCRIPTION

FIG. 1 is a perspective view of a trailer connector insert showing my new design;
FIG. 2 is a front elevational view thereof;
FIG. 3 is a rear elevational view thereof;
FIG. 4 is a top plan view thereof;
FIG. 5 is a bottom plan view thereof; and,
FIG. 6 is a side elevational view thereof, the opposite side being a mirror image of that shown.

1 Claim, 4 Drawing Sheets



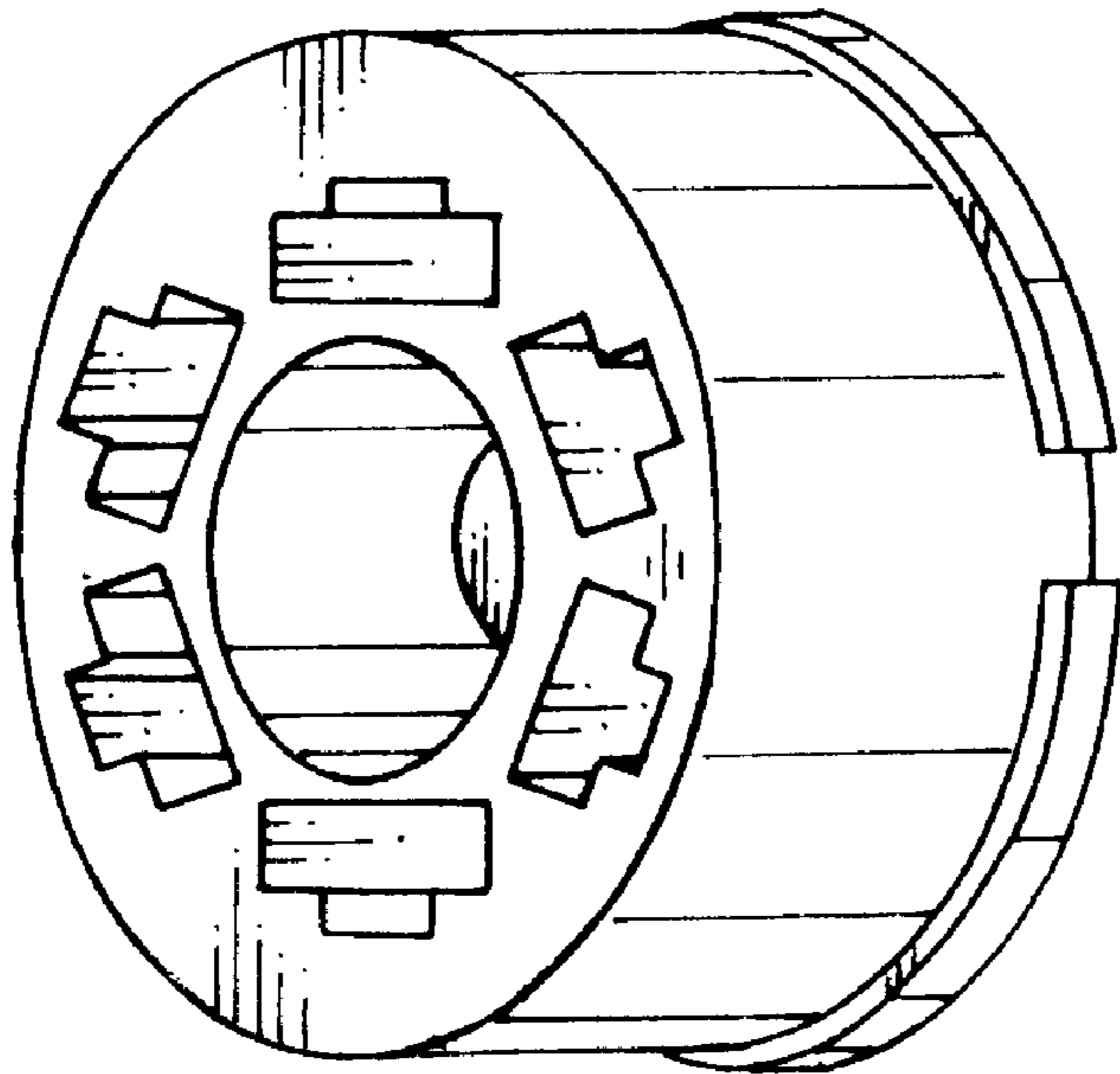


Fig. 1

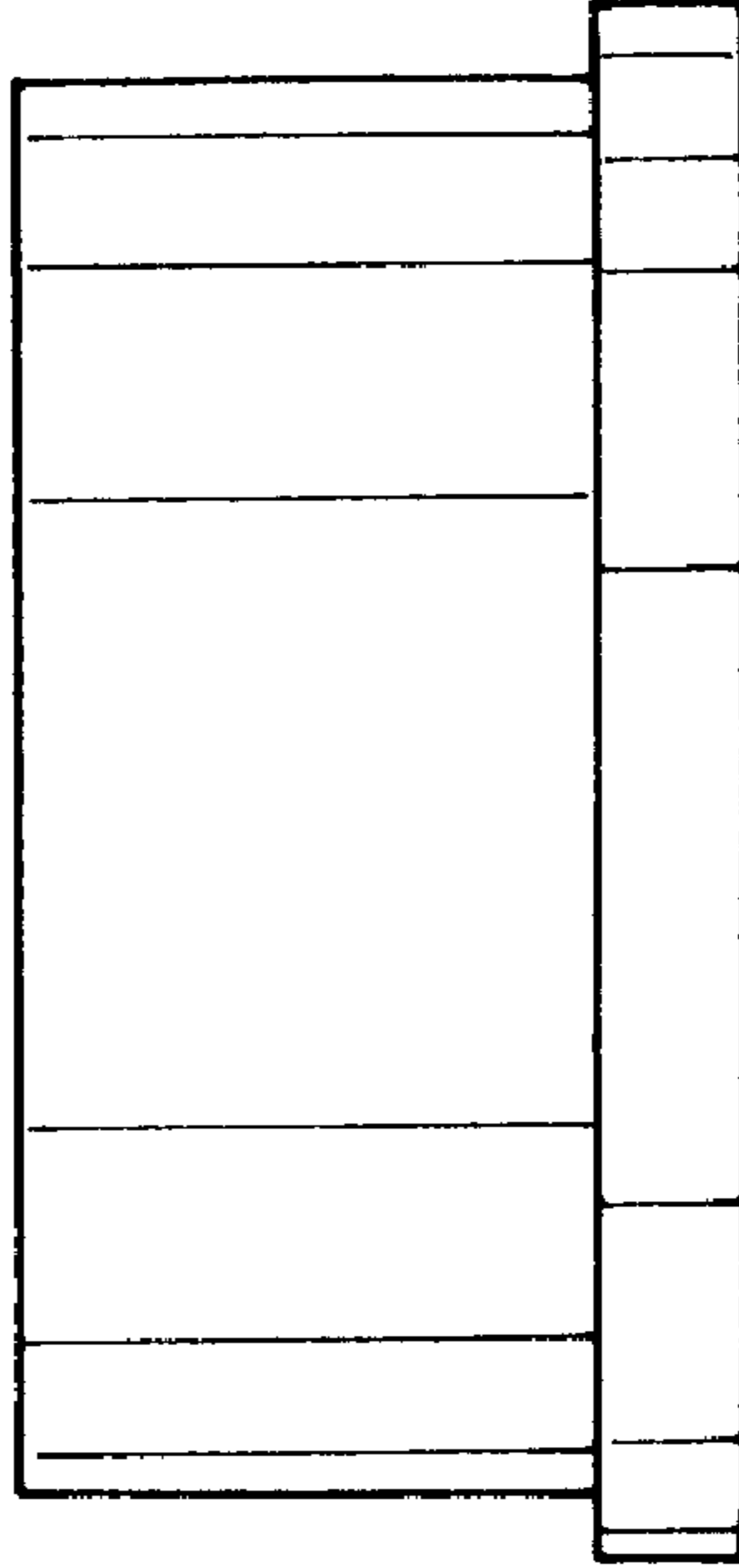


Fig. 3

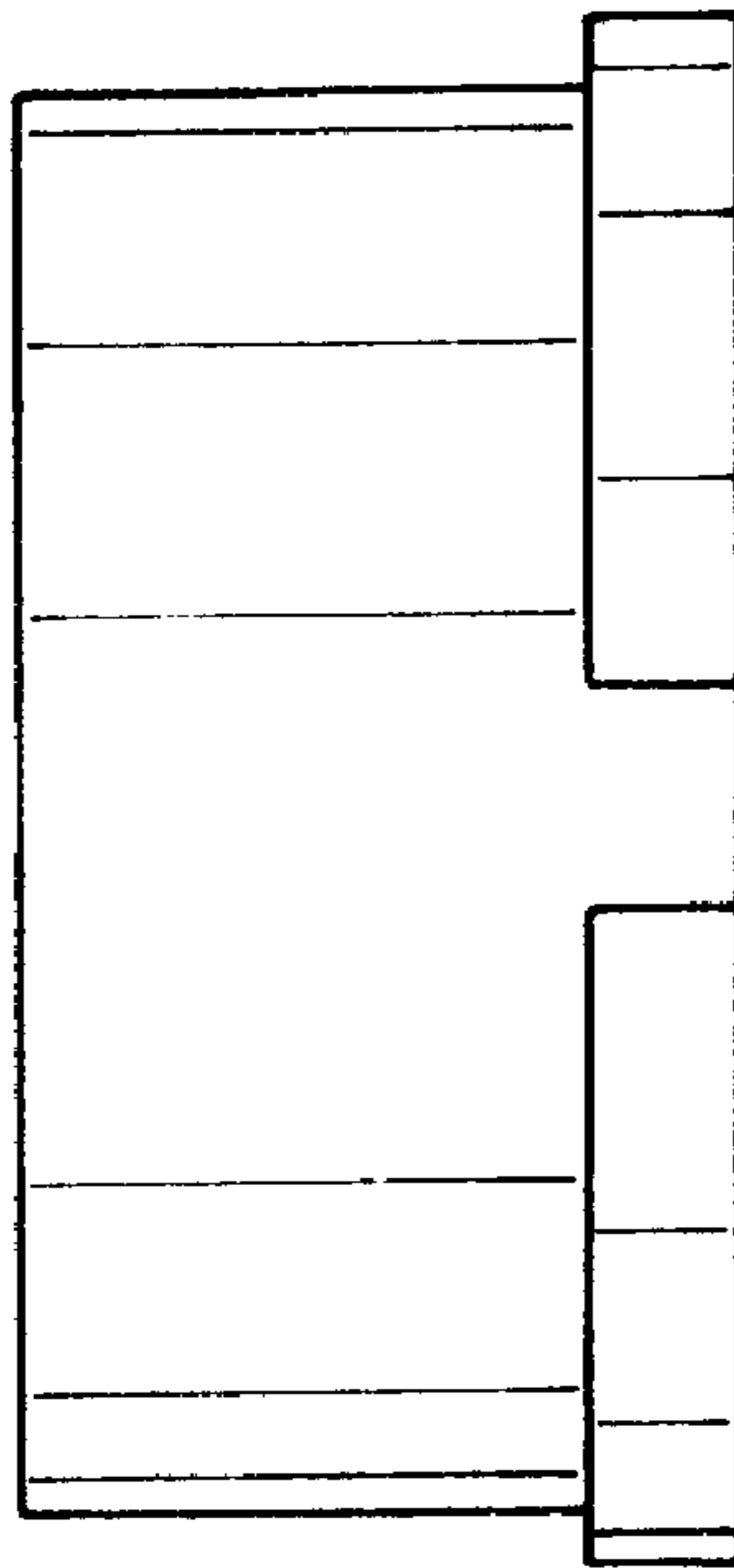


Fig. 2

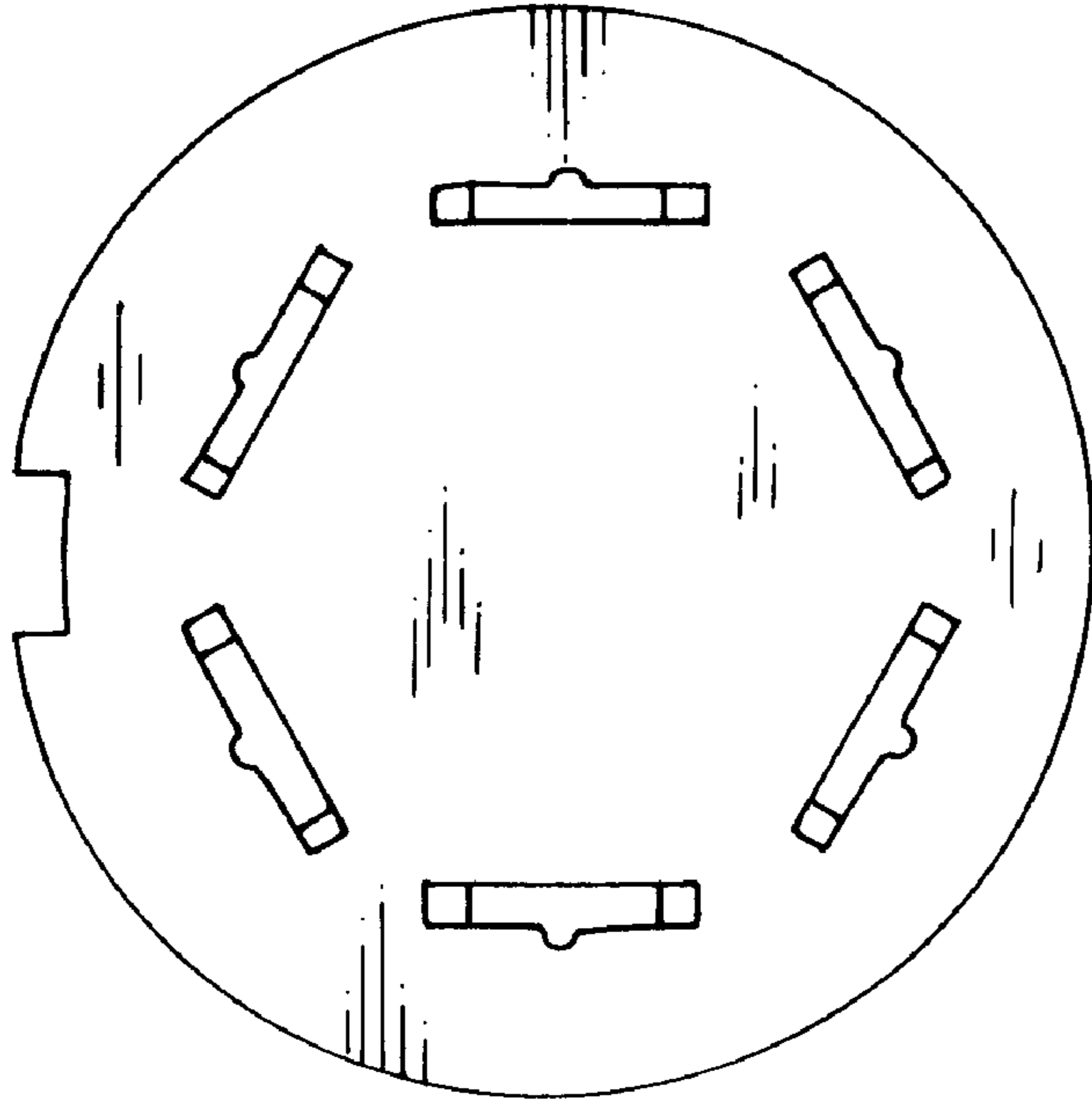


Fig. 5

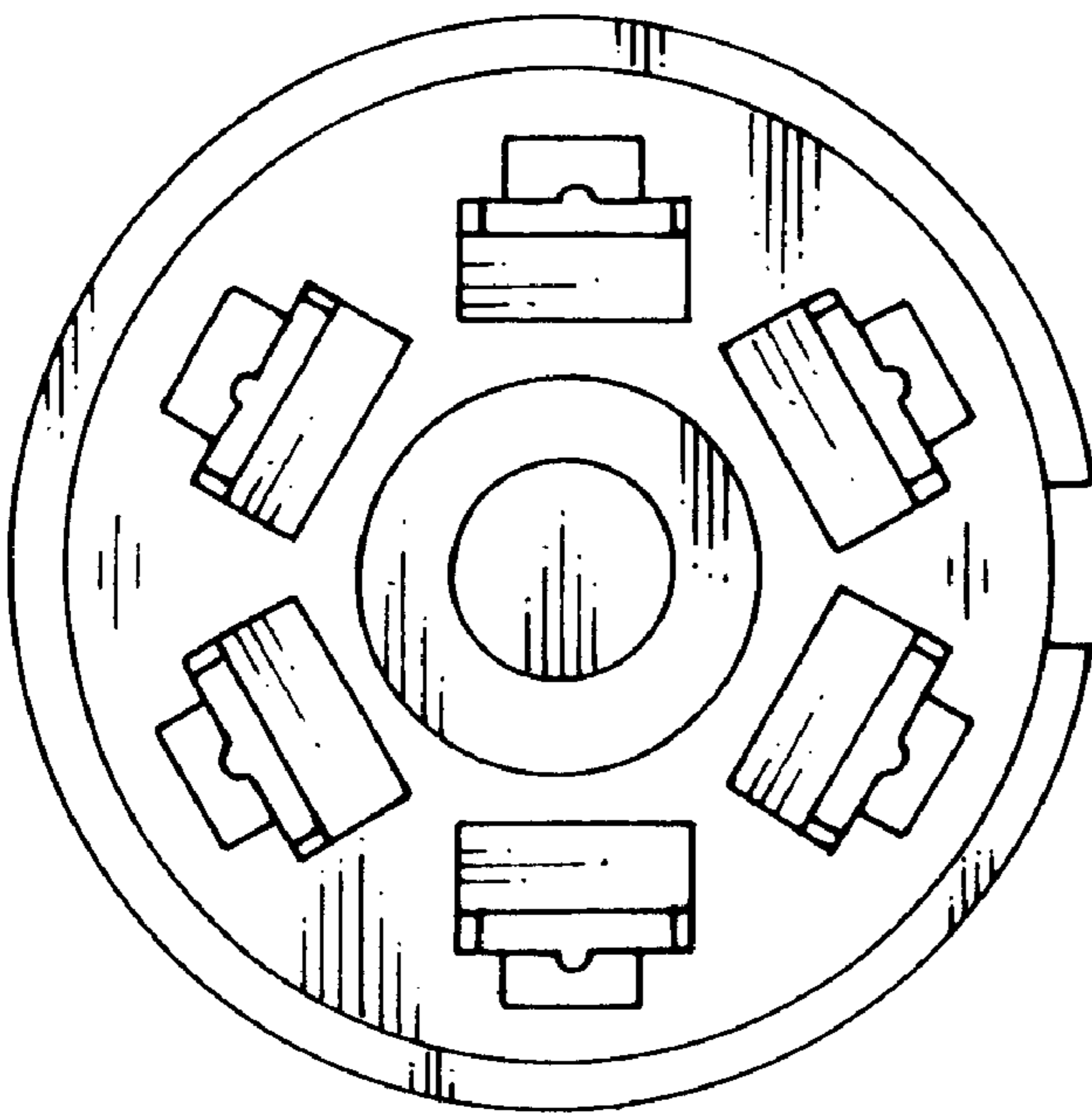


Fig. 4

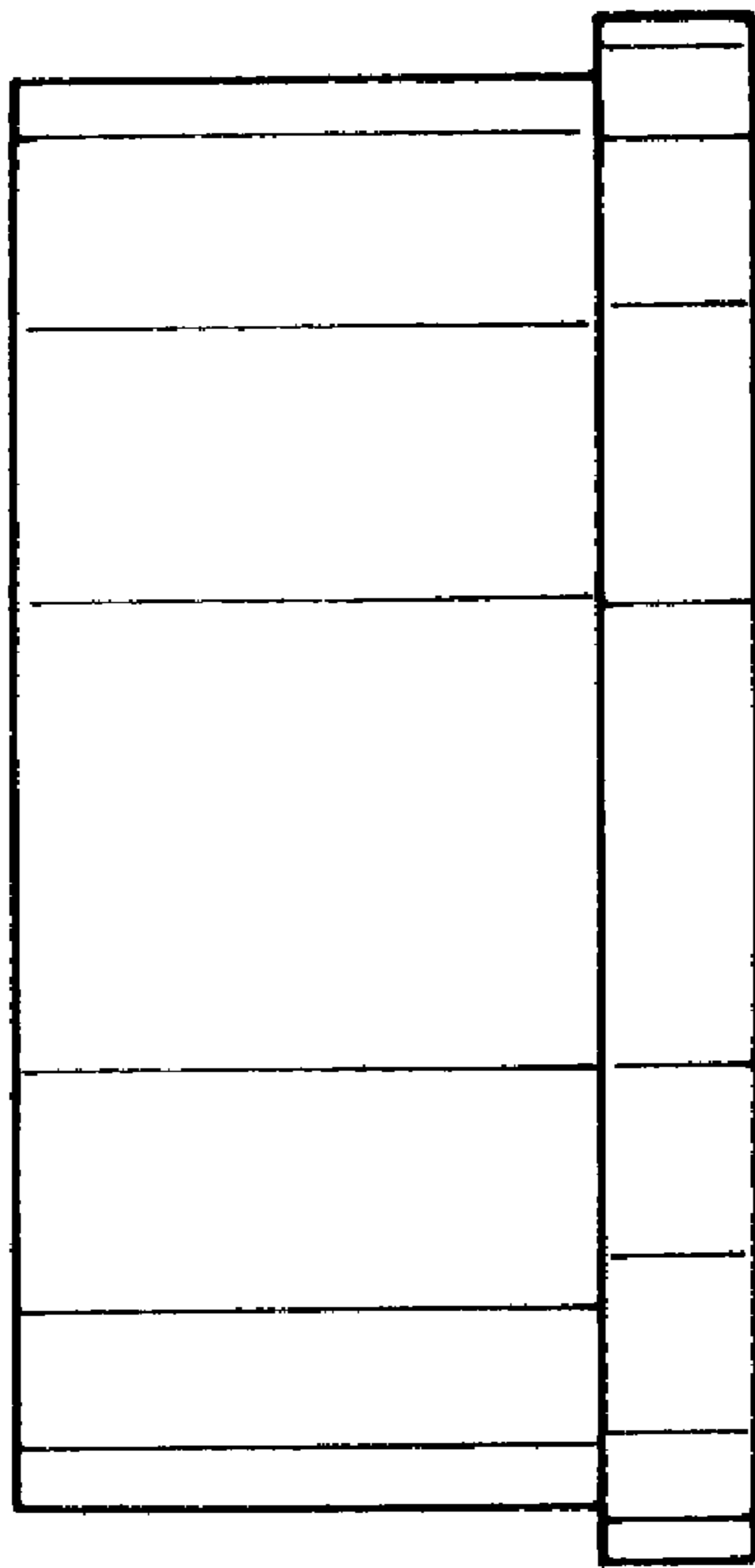


Fig. 6