



US00D409124S

# United States Patent [19] Bank

[11] Patent Number: **Des. 409,124**

[45] Date of Patent: **\*\* May 4, 1999**

[54] **UNIVERSAL HITCH**

[76] Inventor: **Robert M. Bank**, 5006 Escartment Dr.,  
Lockport, N.Y. 14094

[\*\*] Term: **14 Years**

[\*] Notice: This patent is subject to a terminal disclaimer.

[57] **CLAIM**

The ornamental design for a universal hitch, as shown and described.

[21] Appl. No.: **07/747,107**

[22] Filed: **Aug. 19, 1991**

[51] LOC (6) Cl. .... **12-16**

[52] U.S. Cl. .... **D12/162**

[58] Field of Search ..... D12/162; 280/507,  
280/511, 515, 456 R, 478 A, 415, 416.1

[56] **References Cited**

**U.S. PATENT DOCUMENTS**

5,044,652	9/1991	Brisson .....	280/511
5,106,114	4/1992	Haupt .....	280/511

*Primary Examiner*—Melody N. Brown

**DESCRIPTION**

FIG. 1 is a front elevational view of the universal hitch showing my new design;

FIG. 2 is a rear elevational view thereof;

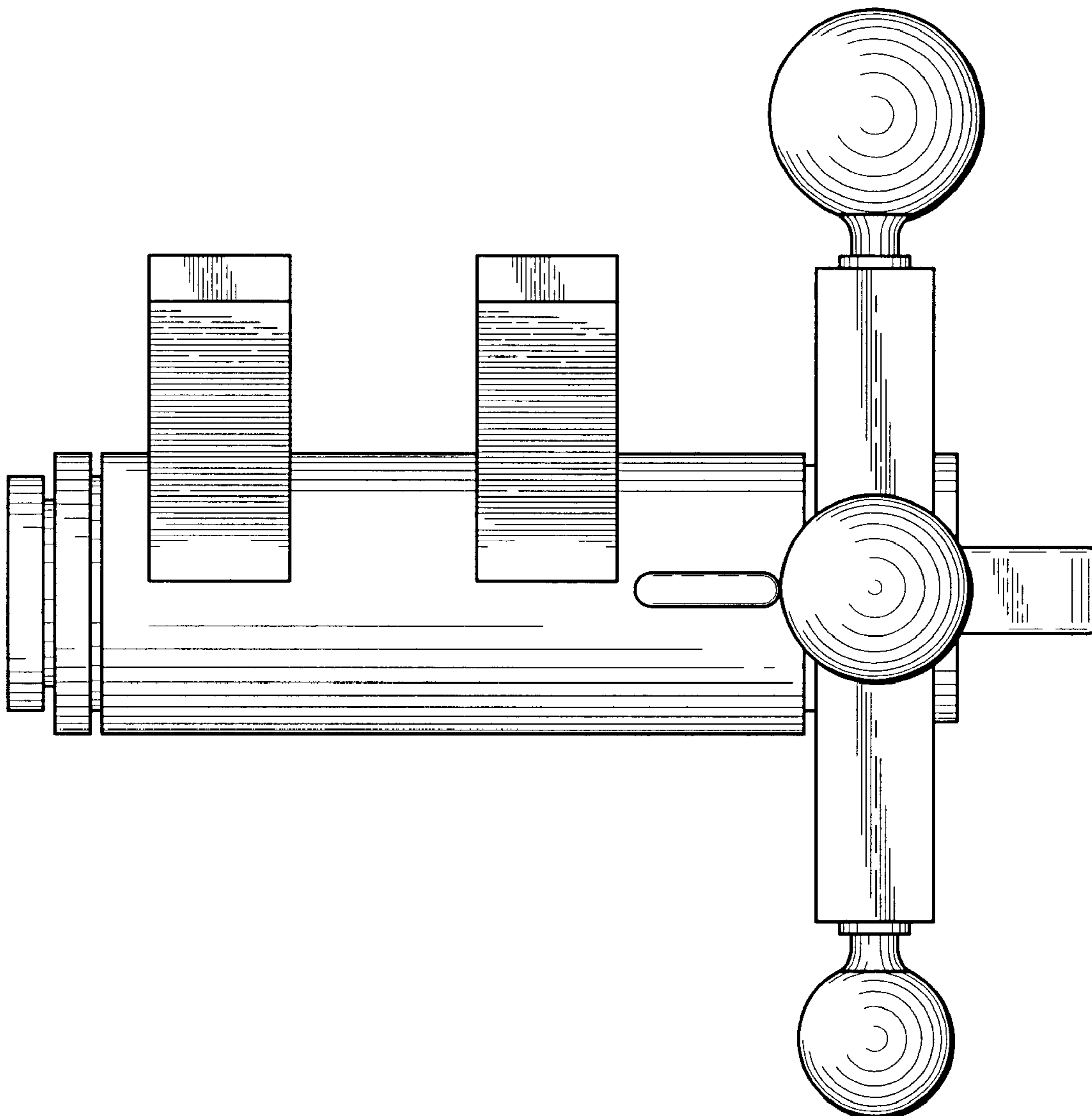
FIG. 3 is a left side elevational view thereof;

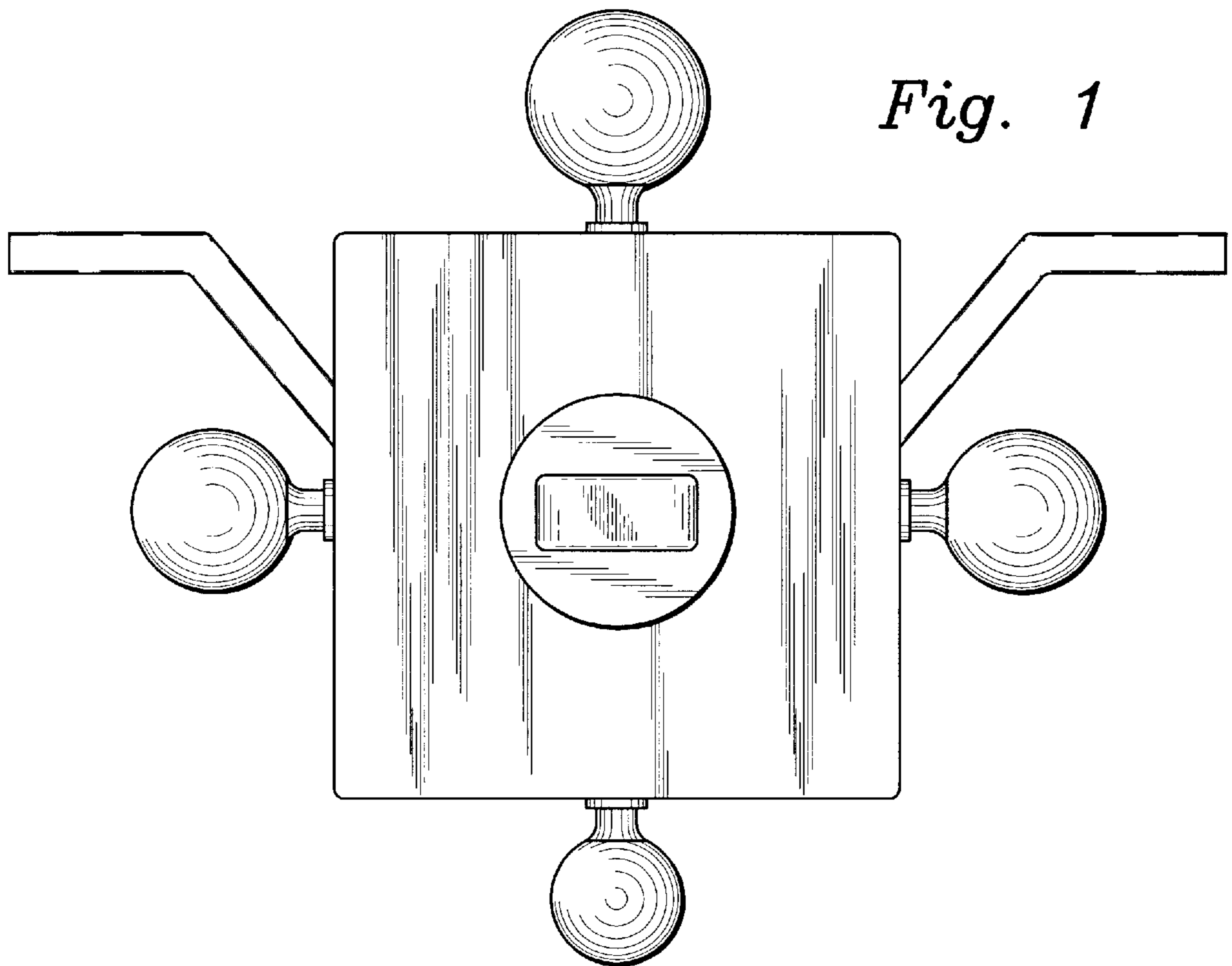
FIG. 4 is a right side elevational view thereof;

FIG. 5 is a top plan view thereof; and,

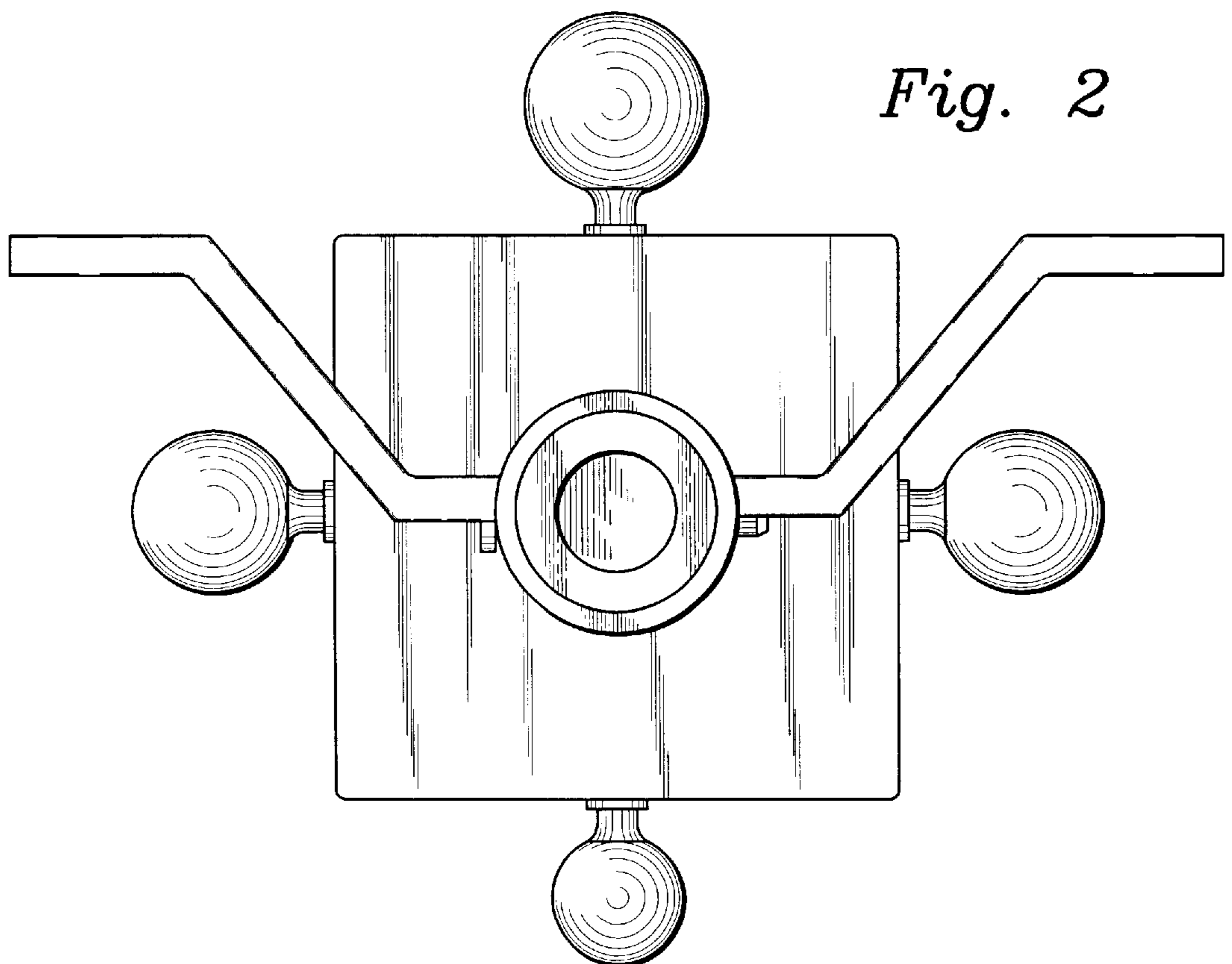
FIG. 6 is a bottom plan view thereof.

**1 Claim, 3 Drawing Sheets**



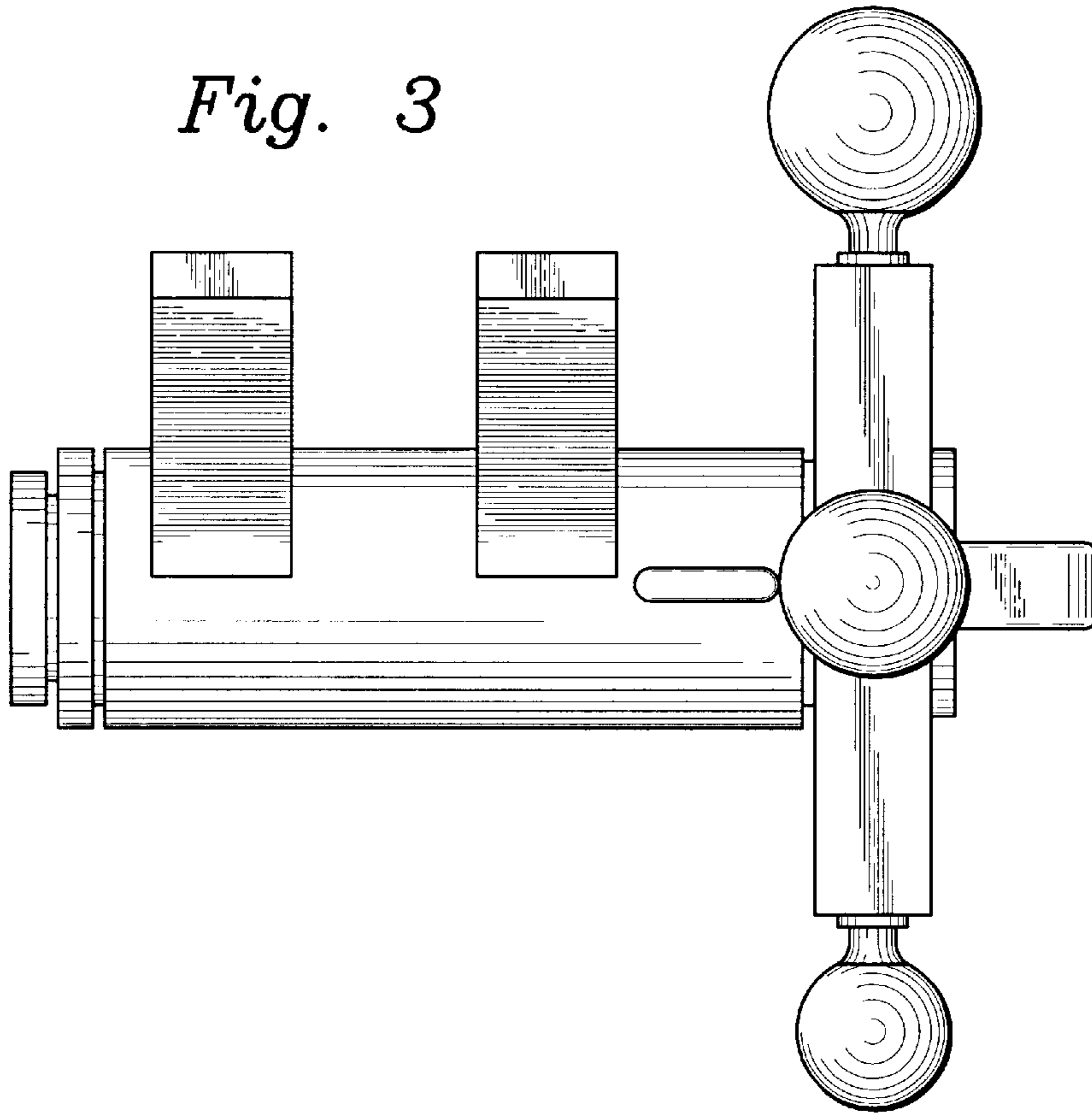


*Fig. 1*



*Fig. 2*

*Fig. 3*



*Fig. 4*

