



US00D409121S

United States Patent [19]

Imai et al.

[11] Patent Number: **Des. 409,121**

[45] Date of Patent: **** May 4, 1999**

[54] **POWER DRIVEN WHEELCHAIR**

D. 322,049 12/1991 Doman et al. D12/131
D. 322,050 12/1991 Kataoka et al. D12/1

[75] Inventors: **Shuhei Imai; Hiromi Yuzuriha;
Masahiro Anzai**, all of Wako, Japan

Primary Examiner—Kay H. Chin
Attorney, Agent, or Firm—Nikaido, Marmelstein, Murray &
Oram LLP

[73] Assignee: **Honda Giken Kogyo Kabushiki
Kaisha**, Tokyo, Japan

[**] Term: **14 Years**

[57] CLAIM

[21] Appl. No.: **29/090,647**

The ornamental design for a power driven wheelchair, as shown

[22] Filed: **Jul. 13, 1998**

DESCRIPTION

[30] Foreign Application Priority Data

Jan. 19, 1998 [JP] Japan 10-873

FIG. 1 is a perspective view of a power driven wheelchair, showing our new design;

[51] LOC (6) Cl. **12-12**

FIG. 2 is a front view thereof;

[52] U.S. Cl. **D12/131**

FIG. 3 is a rear view thereof;

[58] Field of Search D12/128-133;
180/907, 908, 216, 217

FIG. 4 is a right side view of thereof;

FIG. 5 is a left side view thereof; and,

FIG. 6 is a top plan view thereof.

[56] References Cited

U.S. PATENT DOCUMENTS

D. 303,101 8/1989 Shepard et al. D12/131

1 Claim, 3 Drawing Sheets

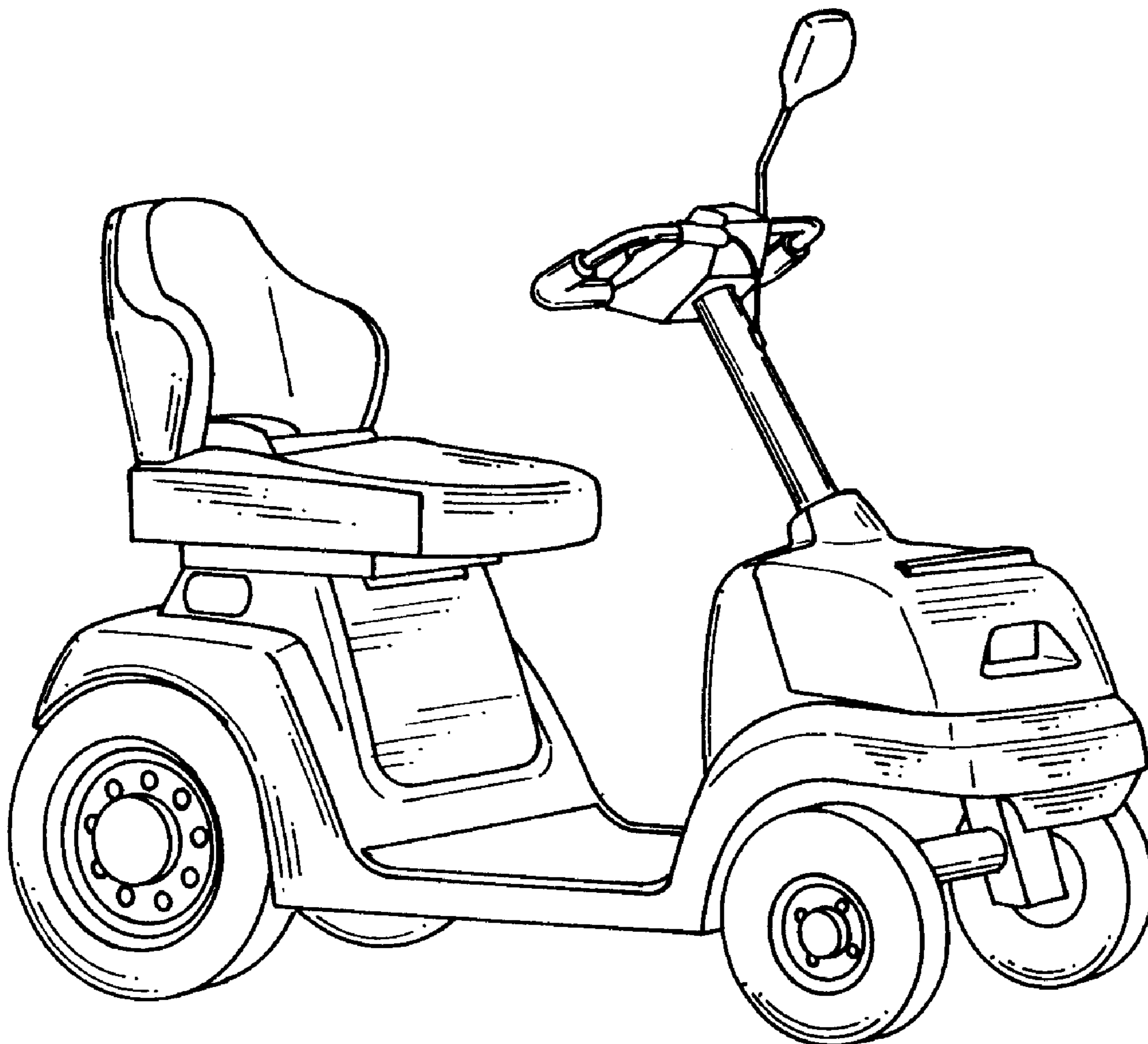


FIG. 1

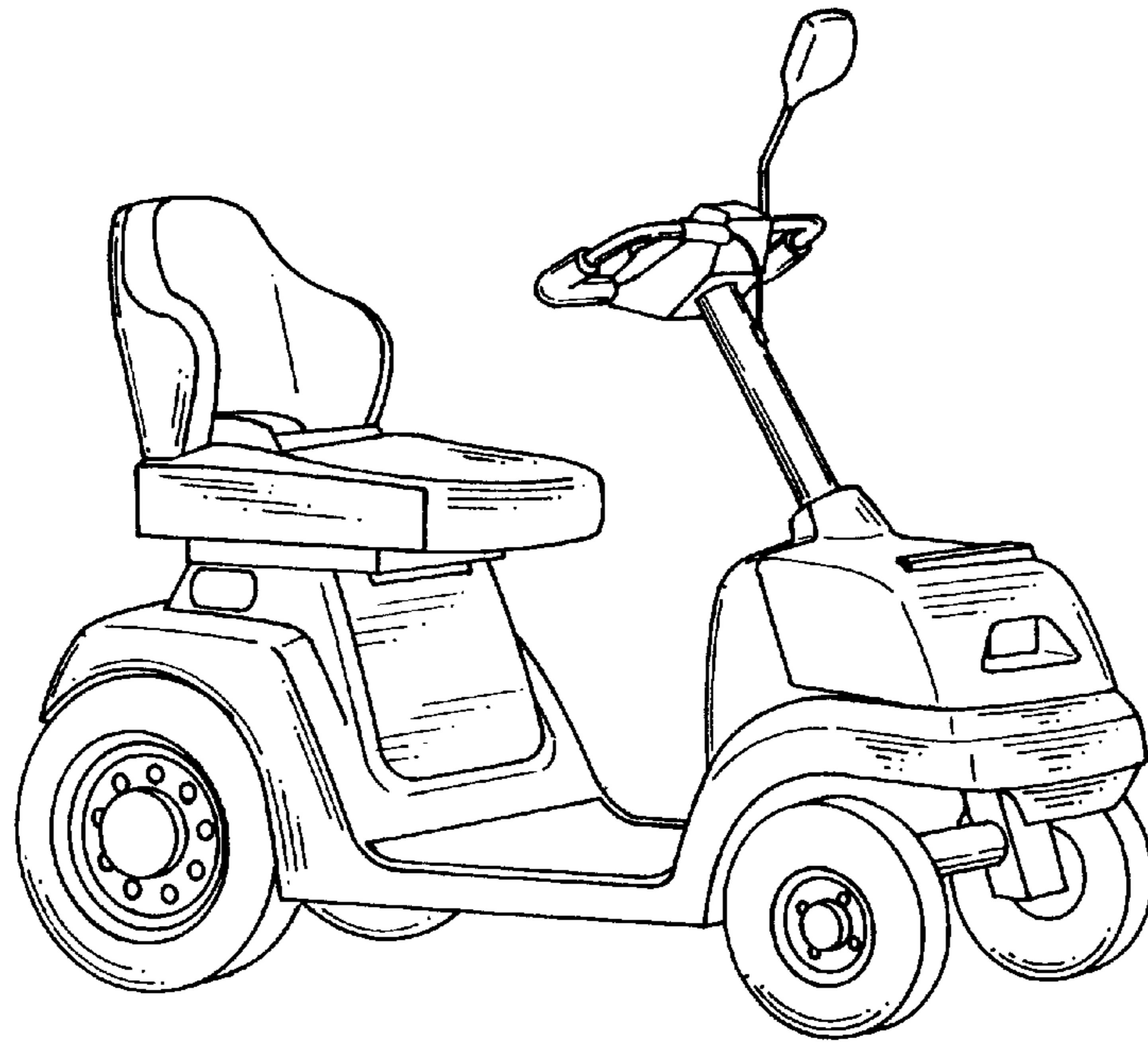


FIG. 2

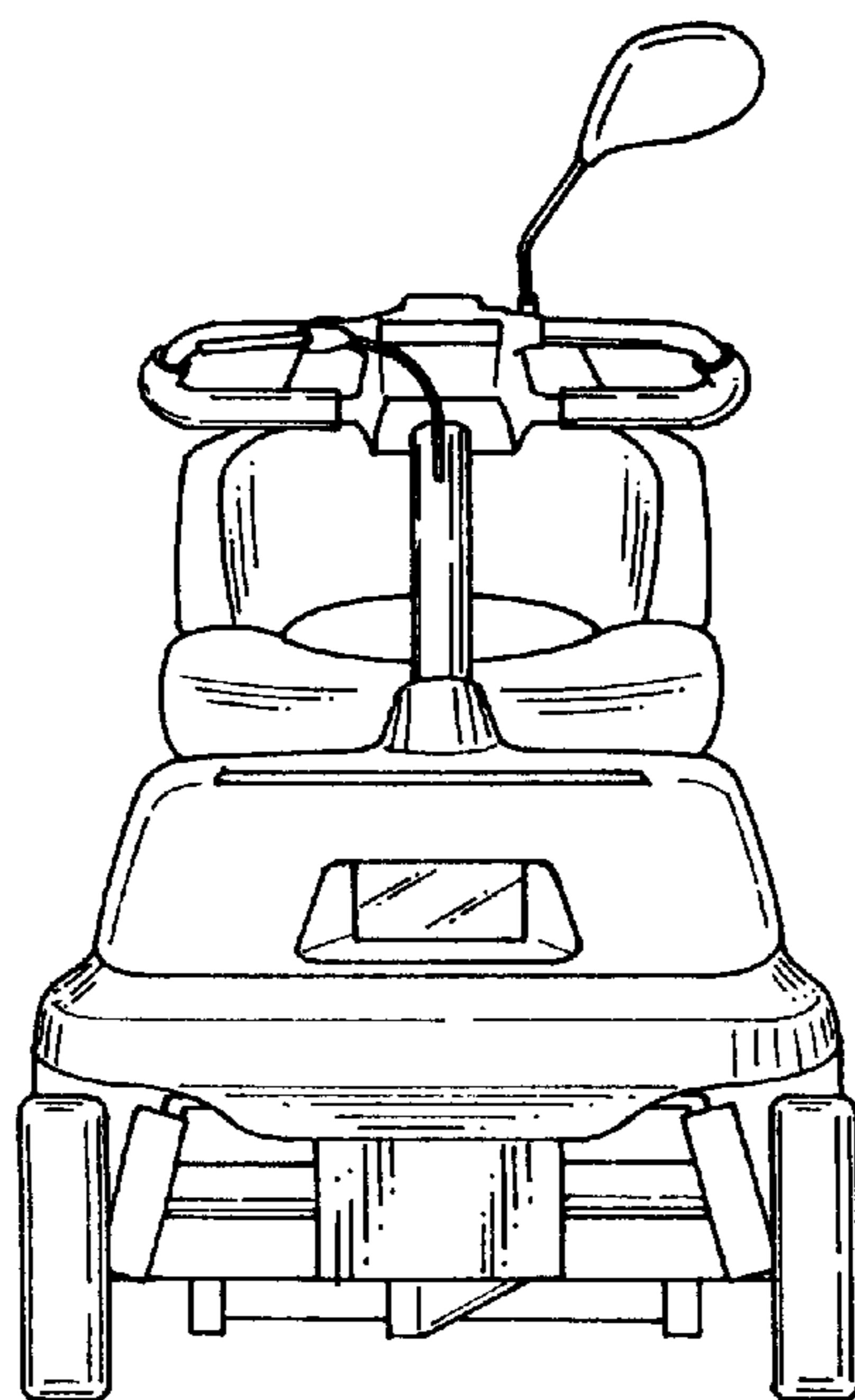


FIG. 3

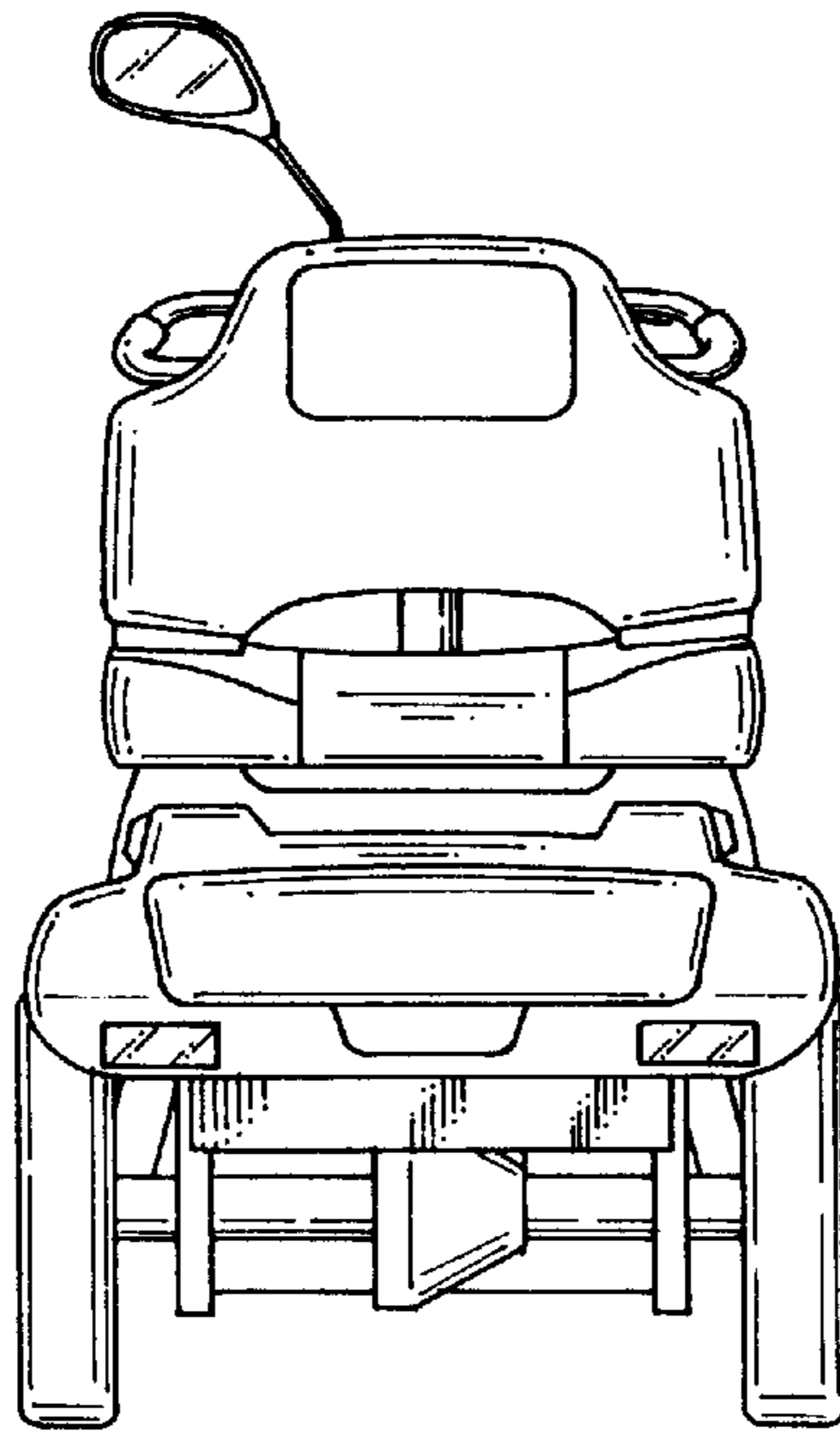


FIG. 4

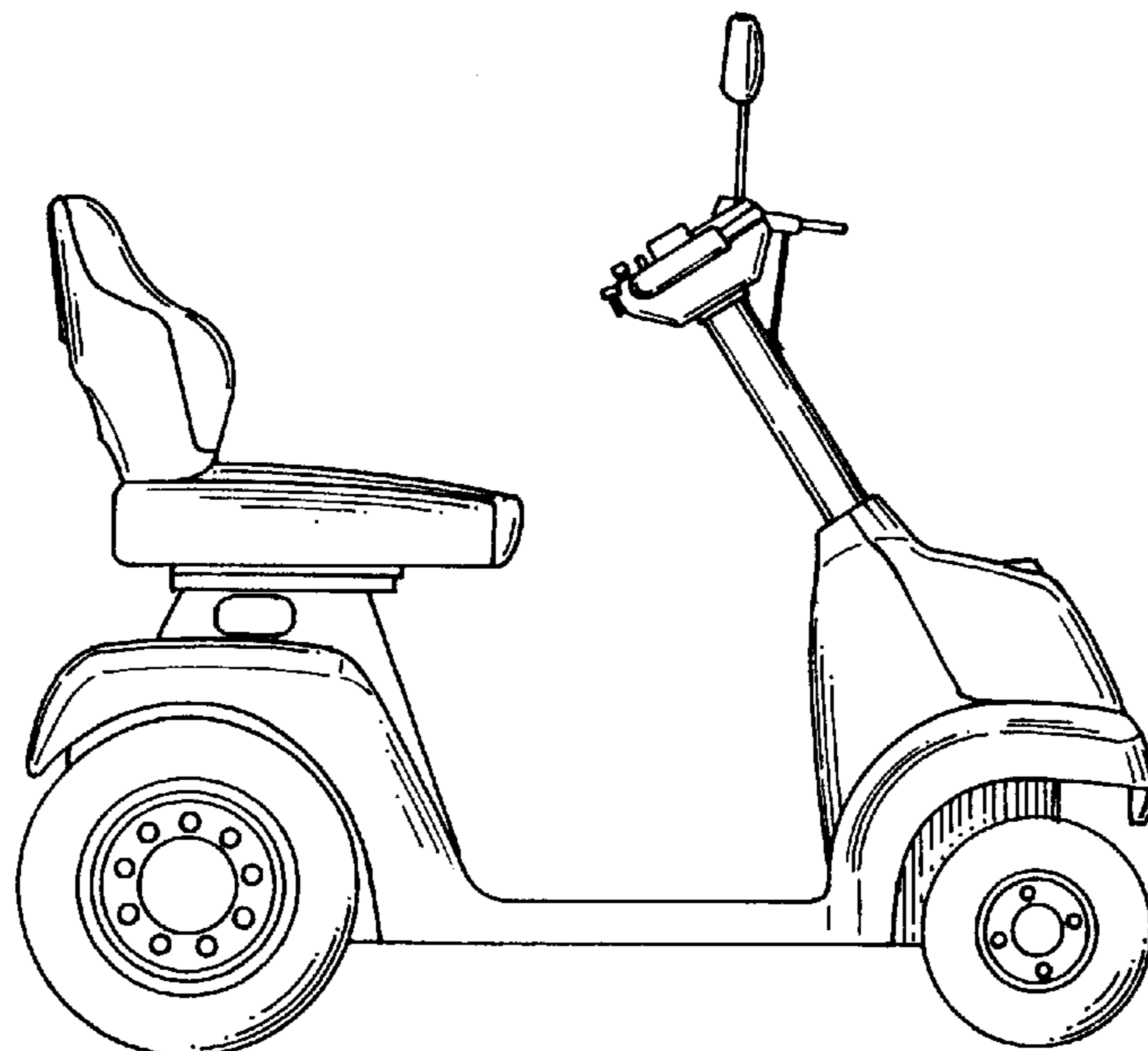


FIG. 5

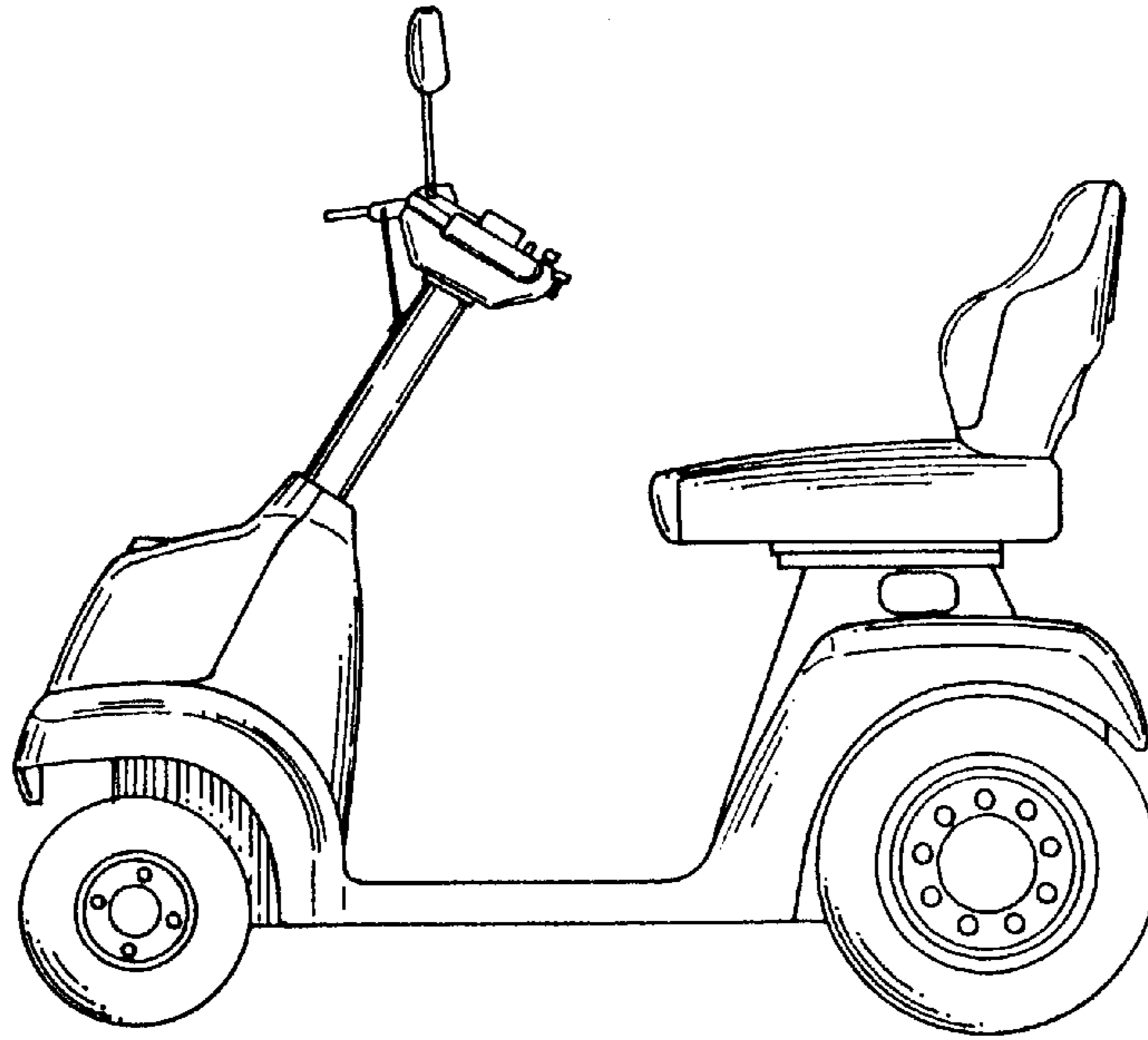


FIG. 6

