



US00D409120S

United States Patent [19] Aughpin

[11] Patent Number: Des. 409,120

[45] Date of Patent: ** May 4, 1999

[54] STAIR CHAIR

4,566,551 1/1986 Feliz 180/9.1
4,643,446 2/1987 Murphy et al. 280/648
4,645,222 2/1987 Hester 280/5.26

[75] Inventor: Richard Andrew Aughpin, Maineville, Ohio

[73] Assignee: Ferno-Washington, Inc., Wilmington, Ohio

Primary Examiner—Kay H. Chin
Attorney, Agent, or Firm—Killworth, Gottman, Hagan & Schaeff, L.L.P.

[**] Term: 14 Years

[57] CLAIM

[21] Appl. No.: 29/086,233

The ornamental design for a stair chair, as shown.

[22] Filed: Apr. 8, 1998

DESCRIPTION

[51] LOC (6) Cl. 12-12

[52] U.S. Cl. D12/128; D12/131; D12/132

[58] Field of Search D12/128-133;
280/5.26, 5.28, 5.2, 5.24; 180/8.2, 907

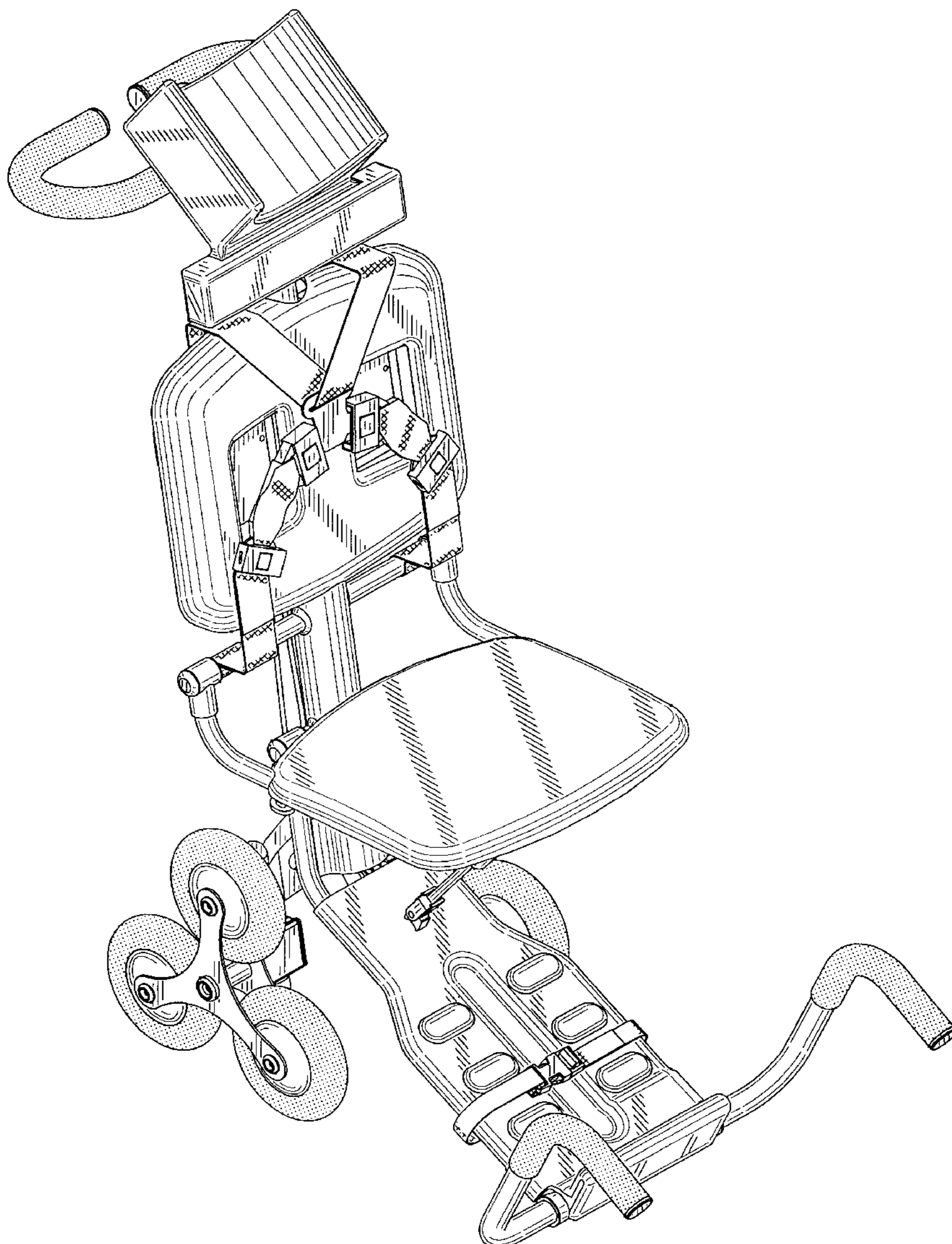
FIG. 1 is a perspective view of a stair chair illustrating my new design;
FIG. 2 is a front view of the design shown in FIG. 1;
FIG. 3 is a side view of the design of FIG. 1; the opposite side being a mirror image thereof;
FIG. 4 is a top view of the design of FIG. 1;
FIG. 5 is a bottom view of the design of FIG. 1; and,
FIG. 6 is a rear view of the design of FIG. 1.

[56] References Cited

U.S. PATENT DOCUMENTS

3,283,839 11/1966 Brown et al. D12/131 X

1 Claim, 6 Drawing Sheets



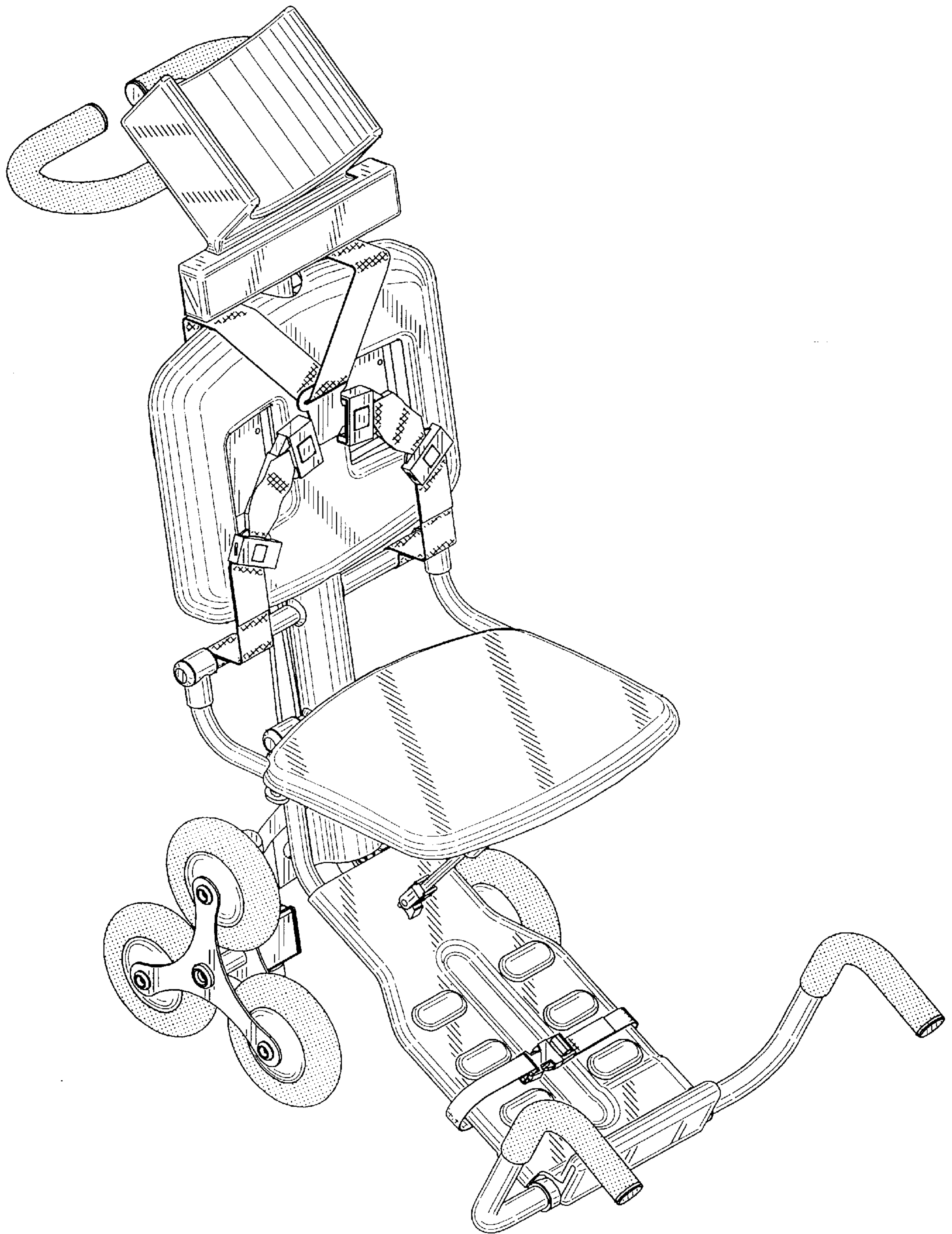


FIG. 1

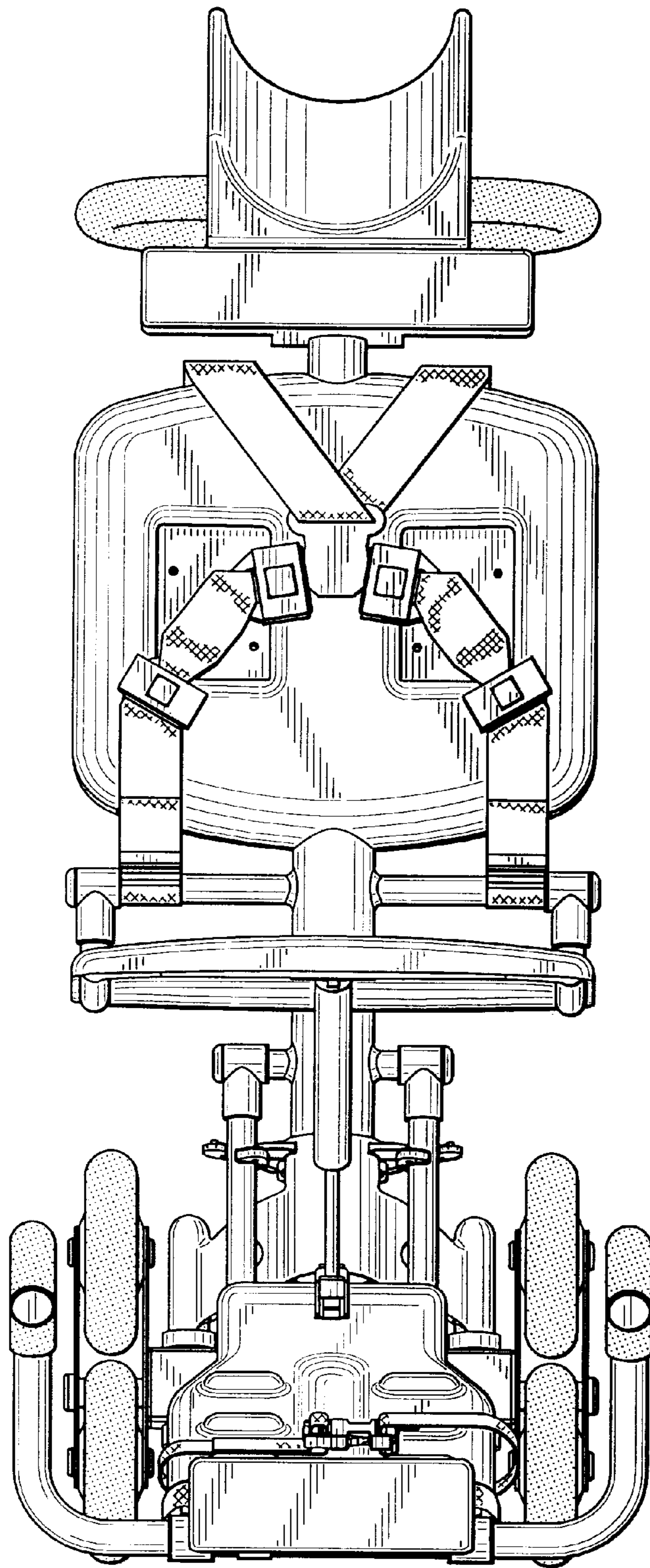


FIG. 2

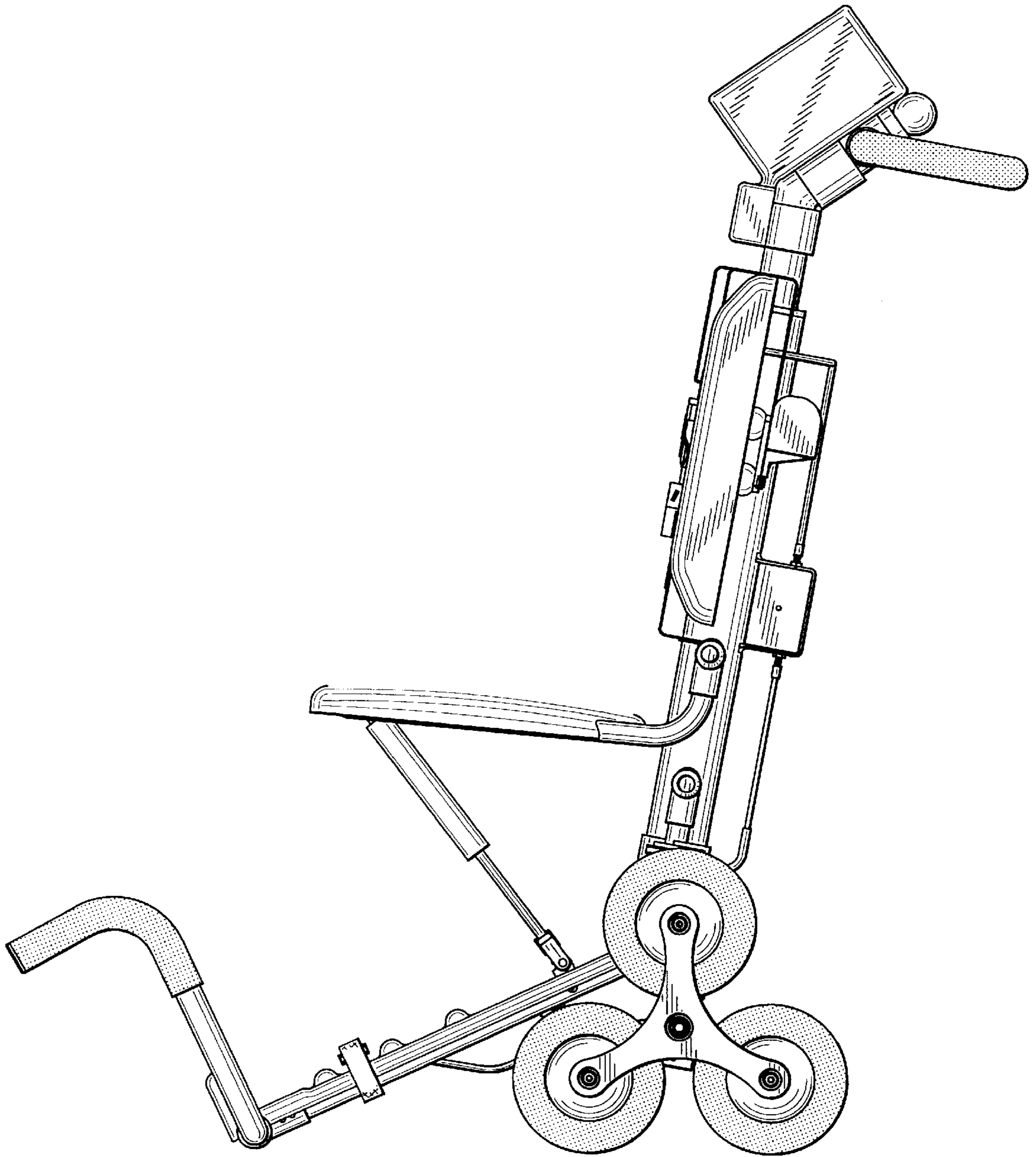


FIG. 3

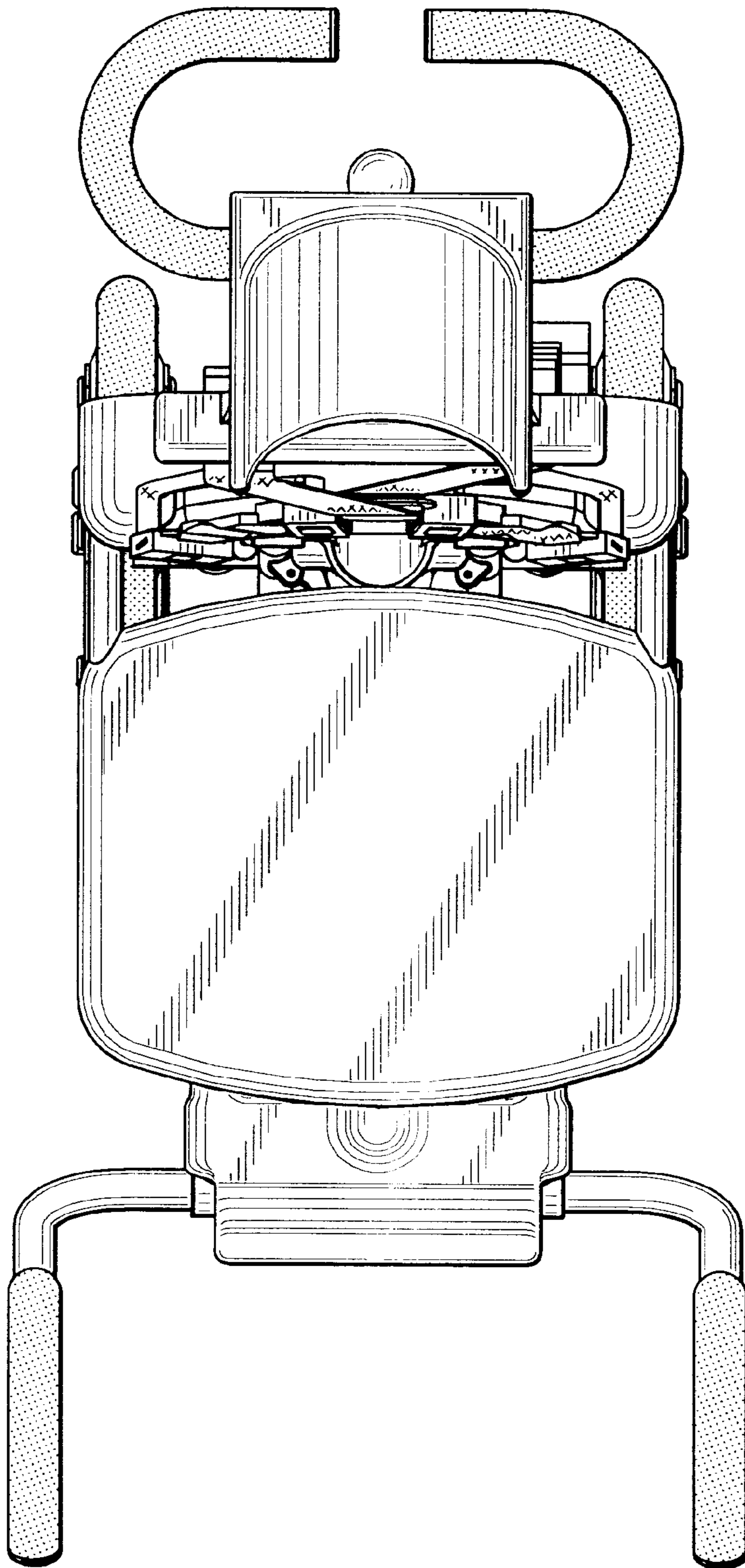


FIG. 4

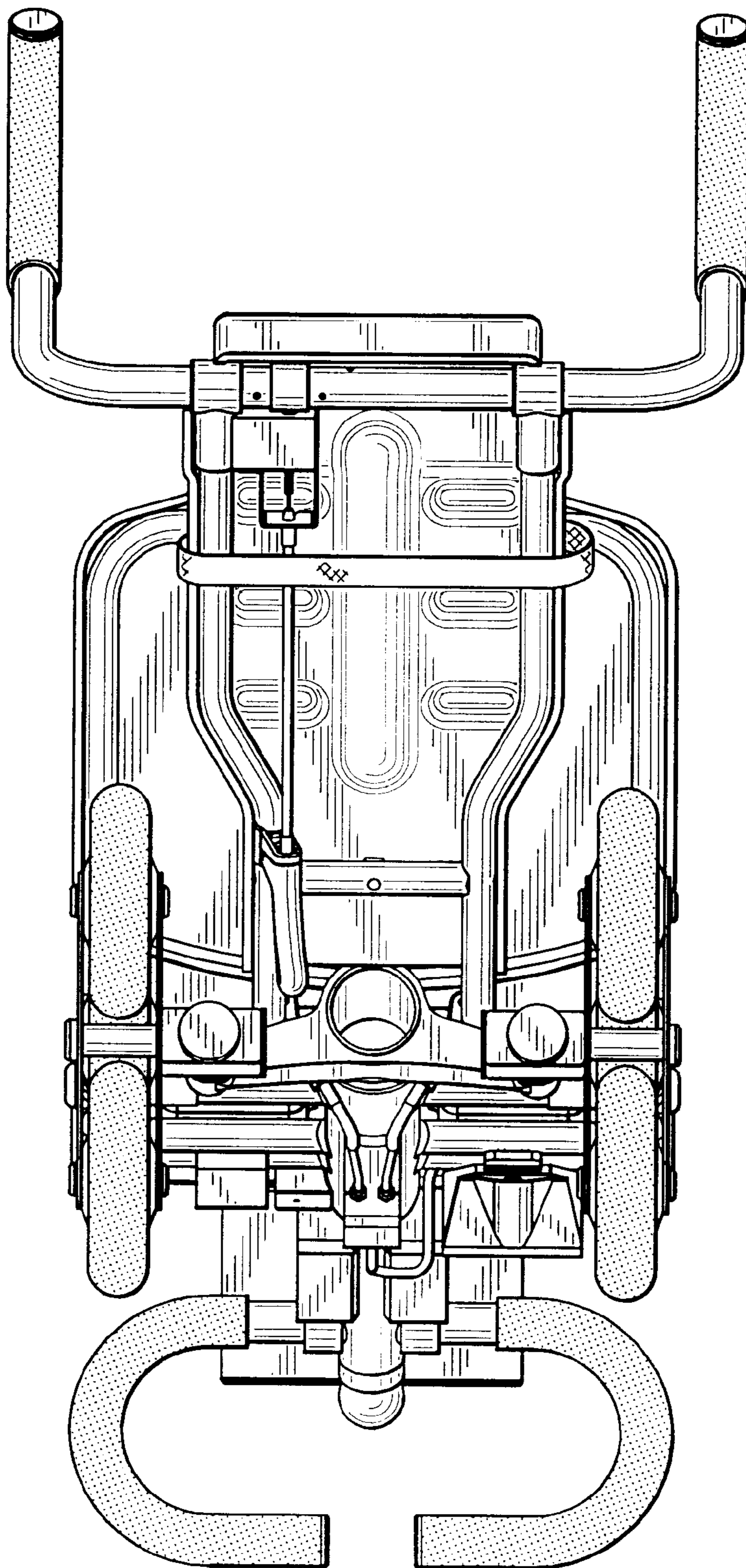


FIG. 5

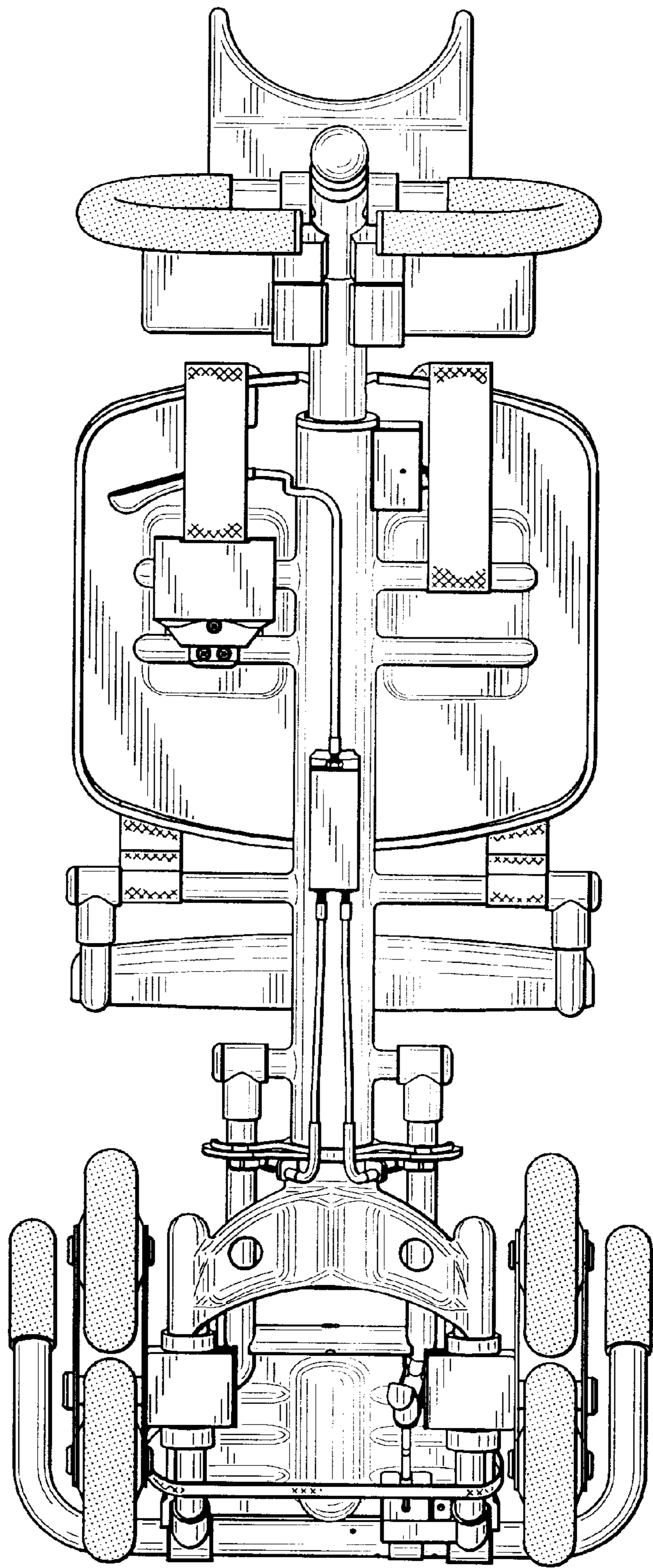


FIG. 6