



US00D409119S

United States Patent [19]

Fervoy

[11] Patent Number: **Des. 409,119**

[45] Date of Patent: **** May 4, 1999**

[54] **XL MASTER CYLINDER COVER**

[75] Inventor: **Peter R. Fervoy**, St. Paul, Minn.

[73] Assignee: **KuryAkyn Holdings, Inc.**, Somerset, Wis.

[**] Term: **14 Years**

[21] Appl. No.: **29/084,990**

[22] Filed: **Feb. 27, 1998**

[51] **LOC (6) Cl.** **12-11**

[52] **U.S. Cl.** **D12/126**

[58] **Field of Search** D12/126, 110;
280/288.4; 180/219

[56] **References Cited**

U.S. PATENT DOCUMENTS

D. 294,685	3/1988	Opitz	D12/126
D. 295,154	4/1988	Opitz	D12/126
D. 345,127	3/1994	Stengleyn et al.	D12/126
D. 350,315	9/1994	Radd et al.	D12/126

OTHER PUBLICATIONS

Drag Specialties, ©1995, p. 409, Drag Specialties Master Cylinder Cover.

Primary Examiner—Melody N. Brown

Attorney, Agent, or Firm—Hessian & McKasy, P.A.; Glen E. Schumann

[57] **CLAIM**

The ornamental design for a XL master cylinder cover, as shown and described.

DESCRIPTION

FIG. 1 is a view in perspective as seen from the top and two sides of a “XL master cylinder cover” showing my new design;

FIG. 2 is a view in top plan;

FIG. 3 is a side elevation as seen from bottom to top of FIG. 2;

FIG. 4 is a view in bottom plan opposite that shown in FIG. 2;

FIG. 5 is a side elevation as seen from the side opposite that shown in FIG. 3;

FIG. 6 is a end elevation as seen from left to right of FIG. 5; and,

FIG. 7 is a end elevation as seen from the end opposite that shown in FIG. 6.

1 Claim, 4 Drawing Sheets

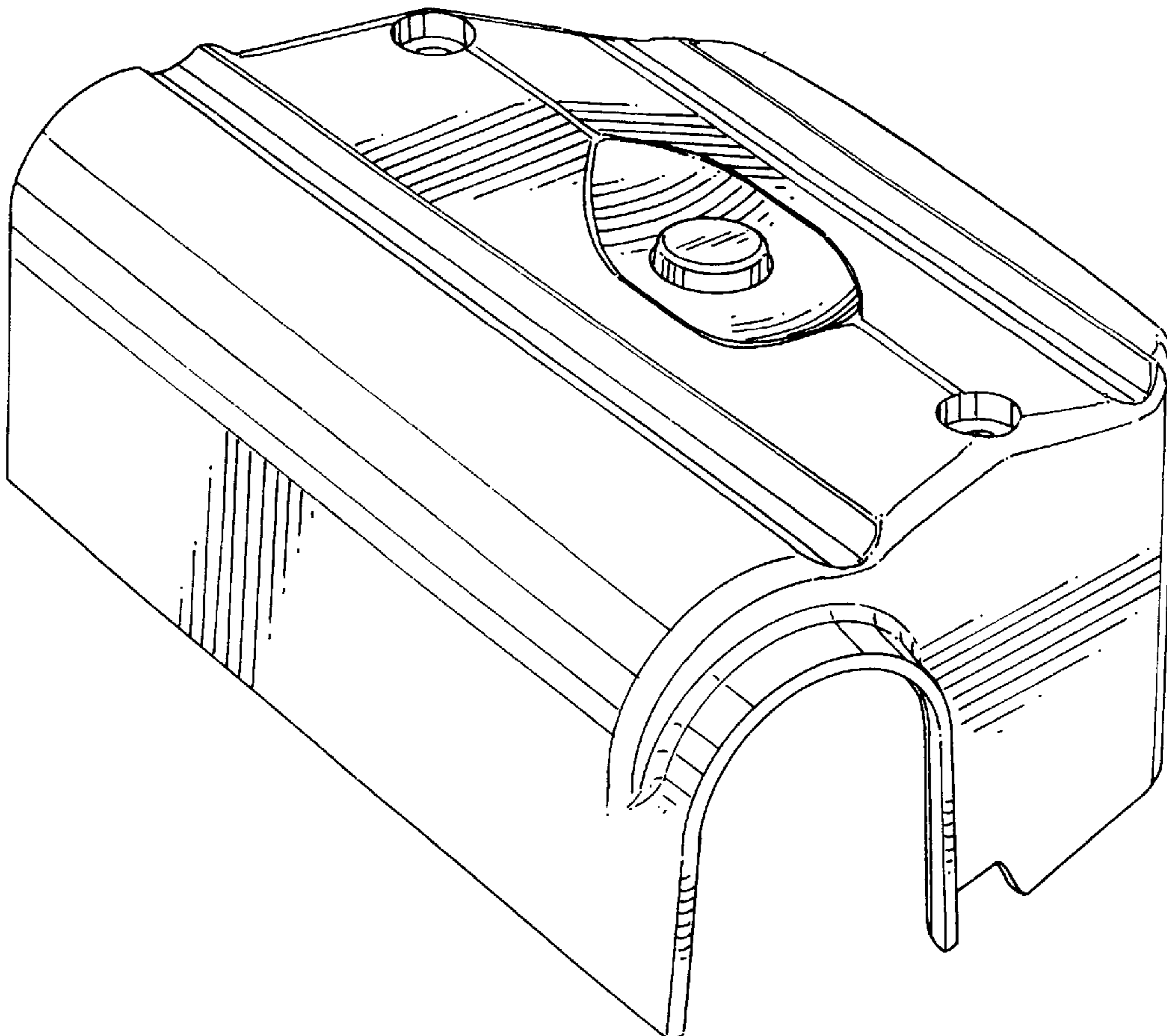


FIG. 1

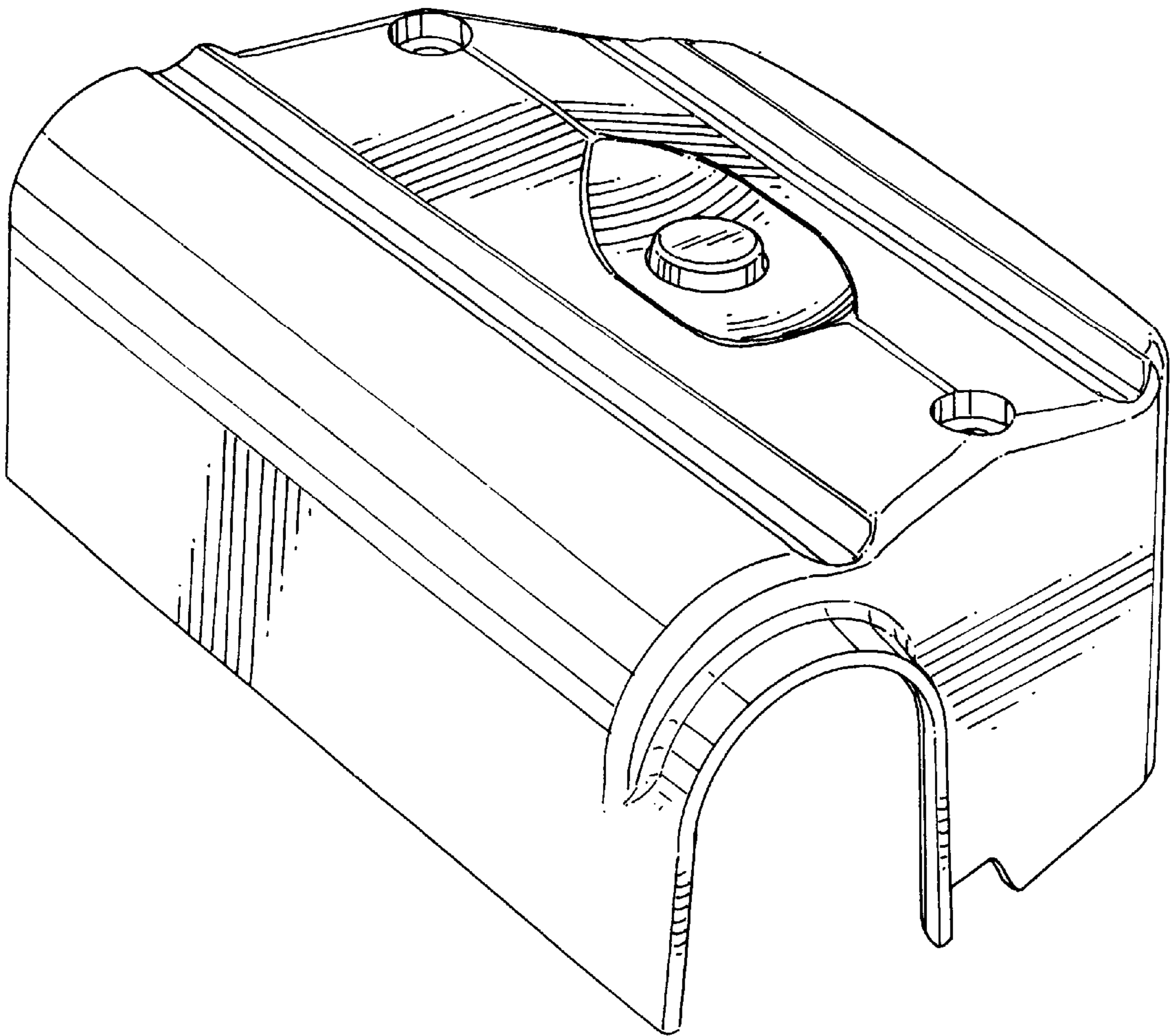


FIG. 2

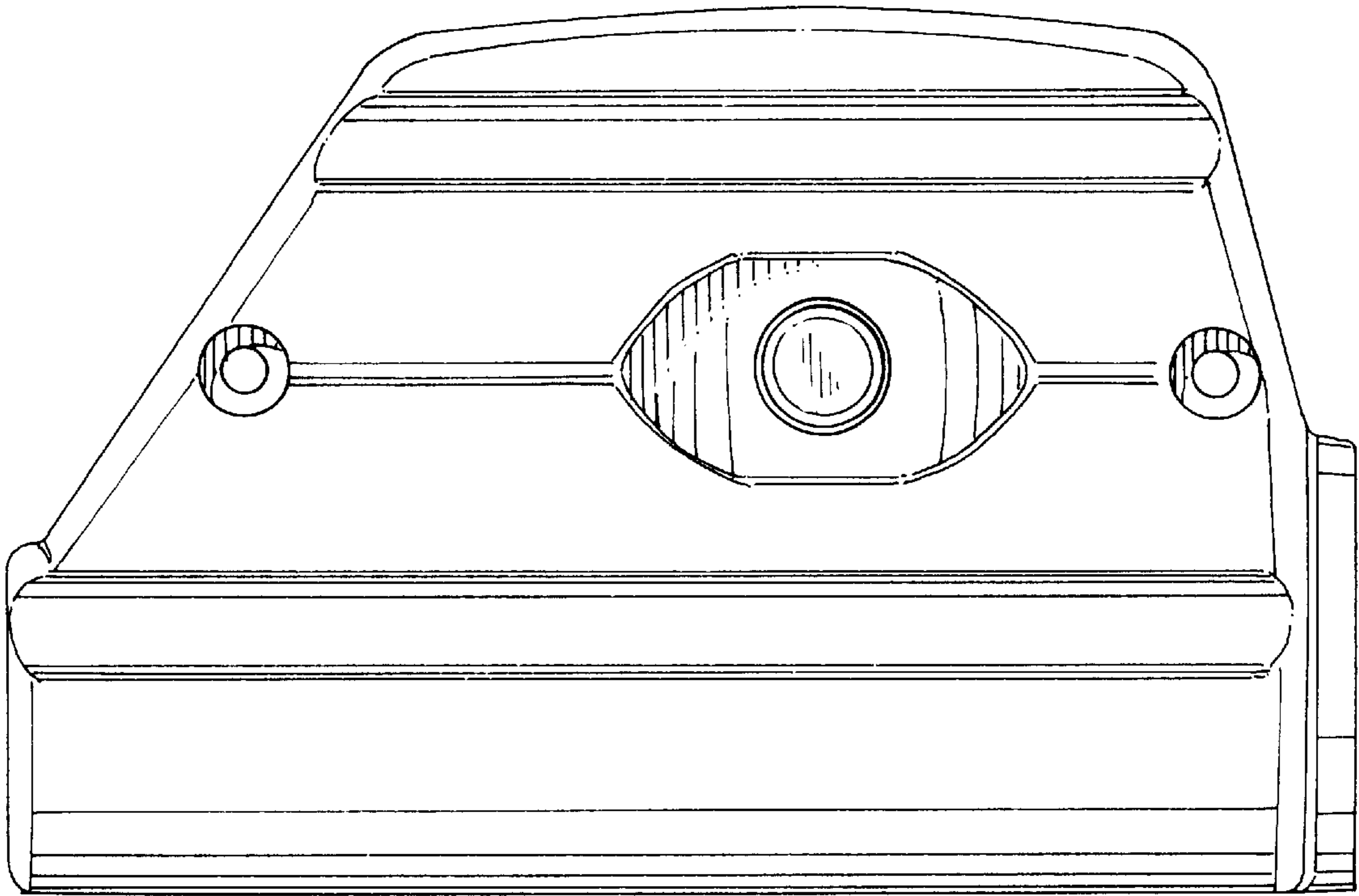


FIG. 3

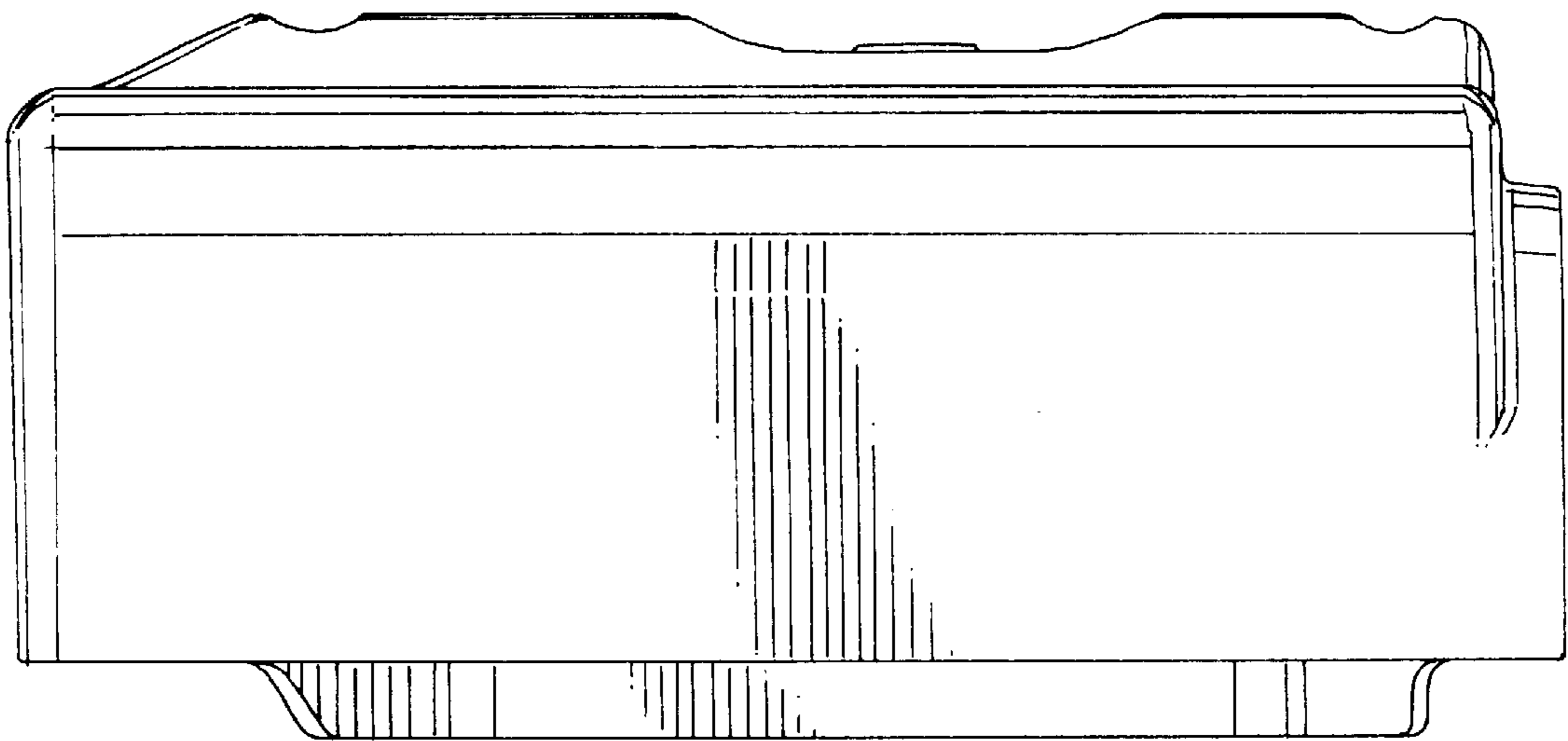


FIG. 4

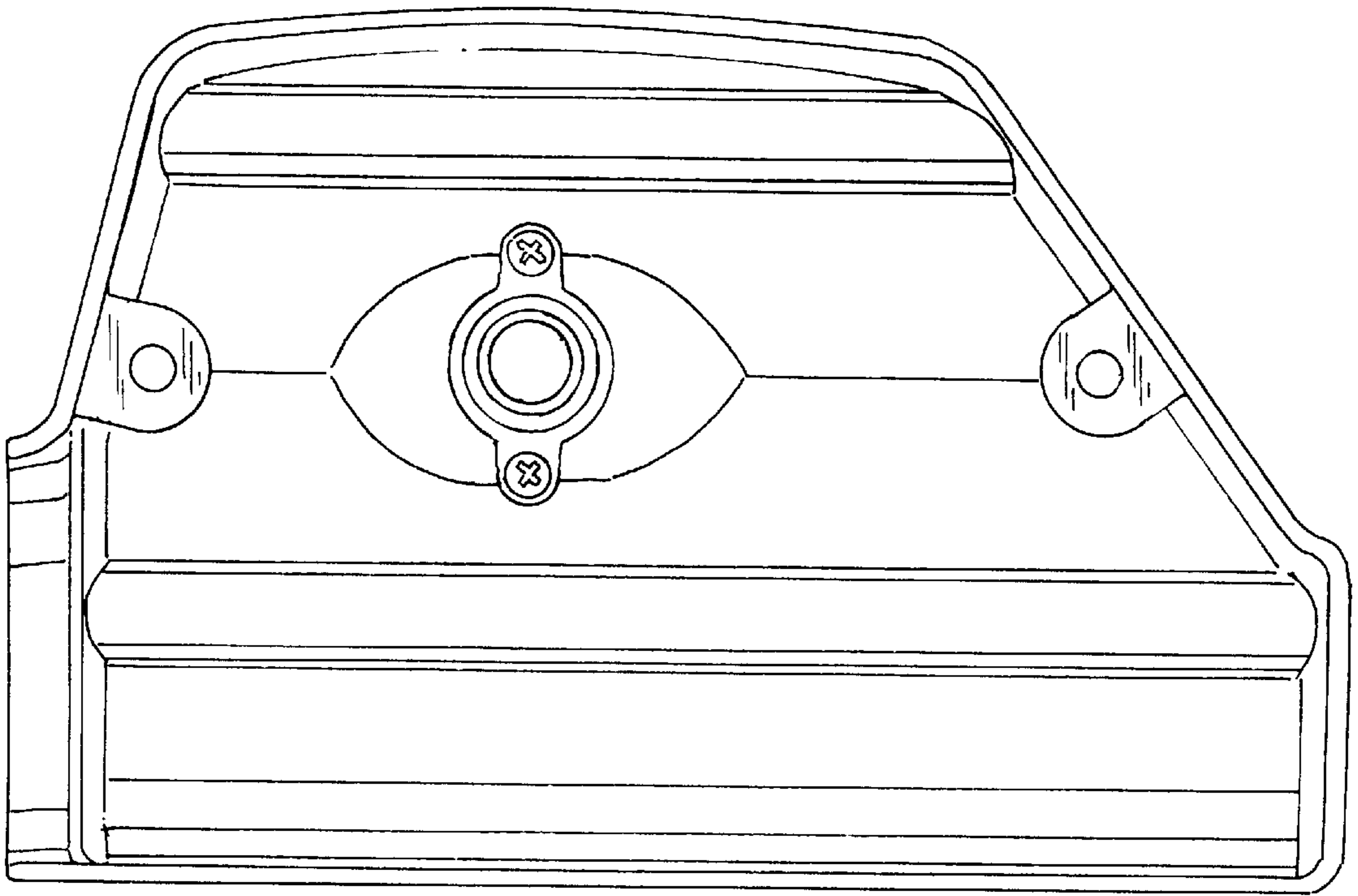


FIG. 5

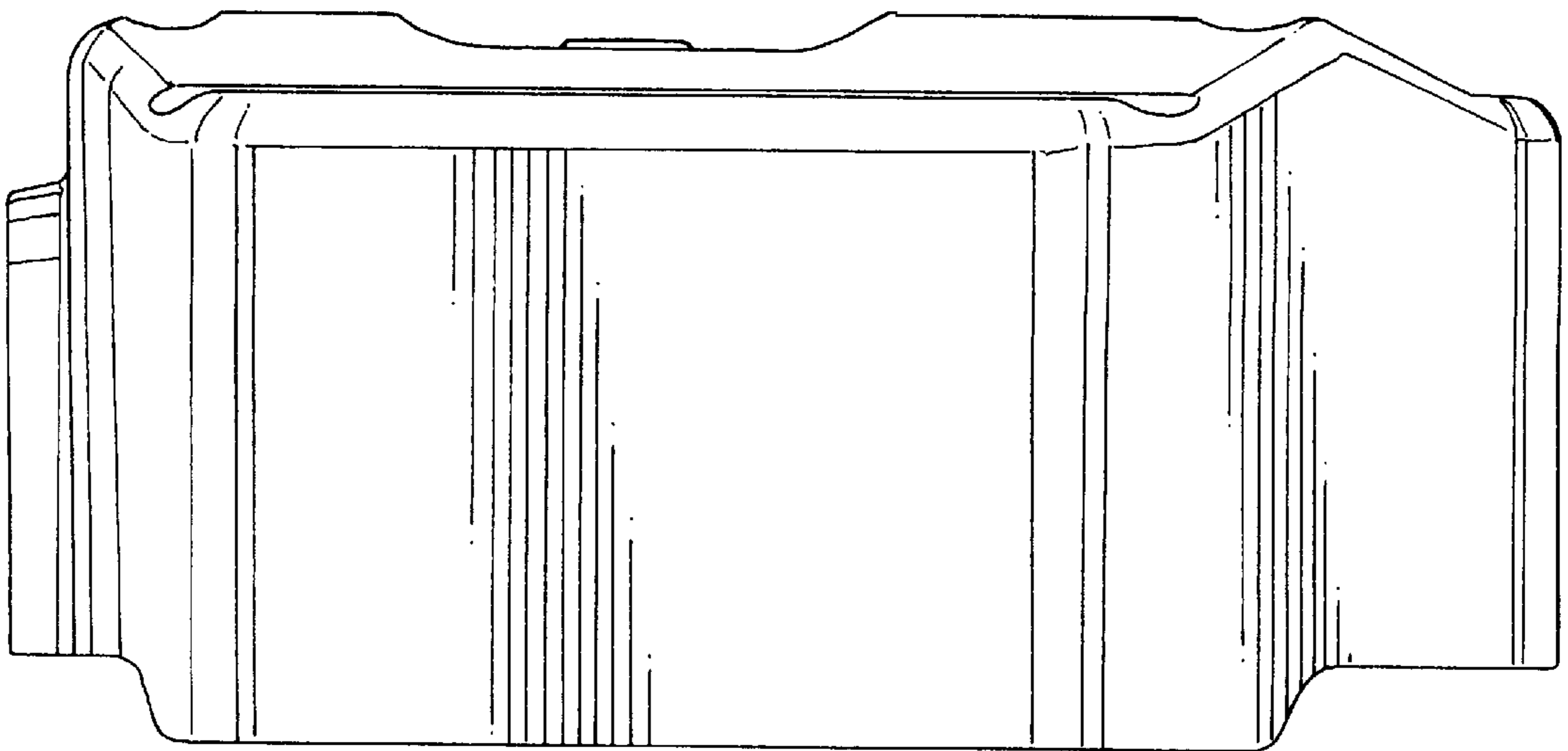


FIG. 6

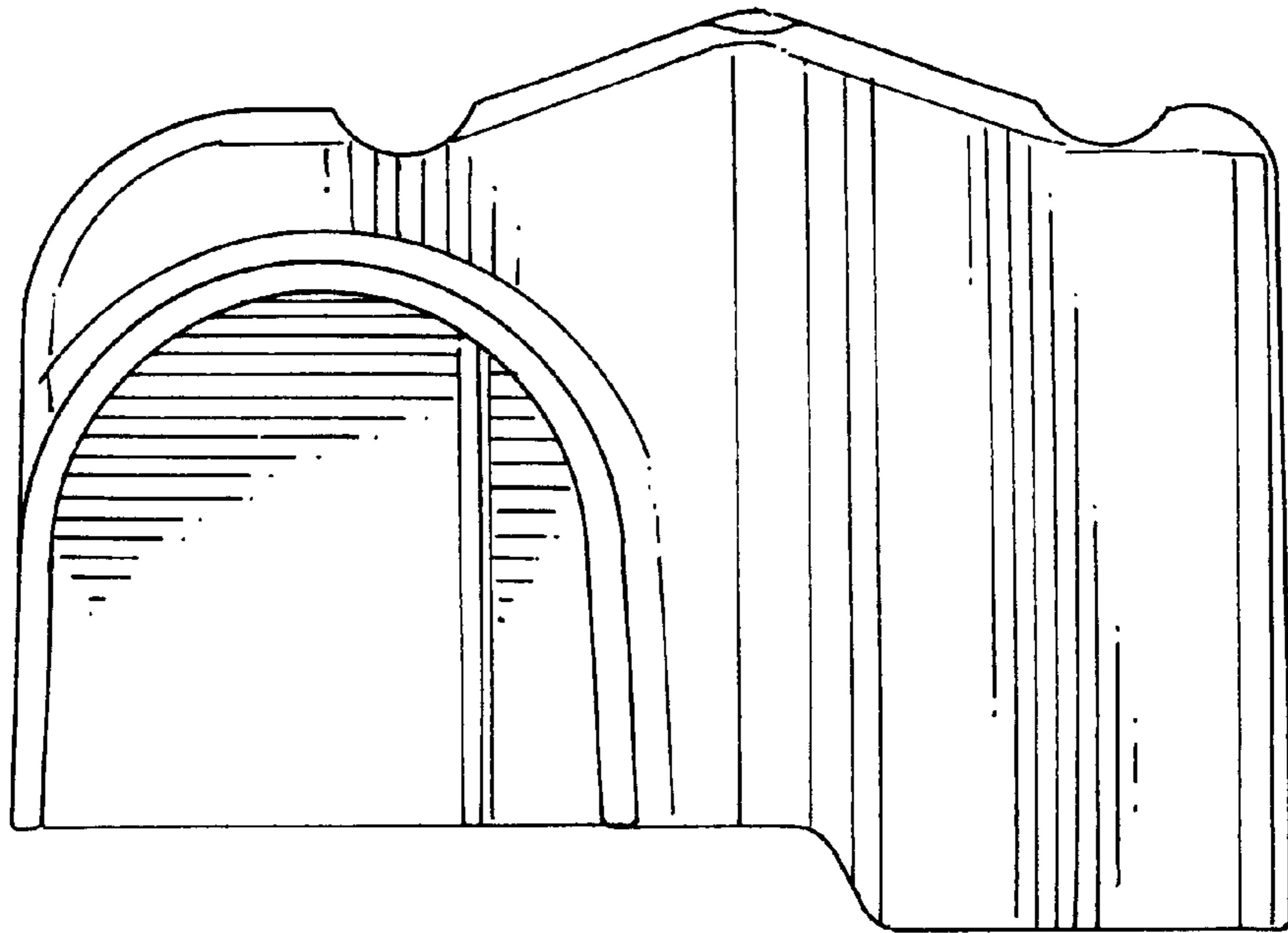


FIG. 7

