



US00D409117S

United States Patent [19]
Everett

[11] **Patent Number: Des. 409,117**

[45] **Date of Patent: **May 4, 1999**

[54] **TRAILER FOR A BICYCLE**

[76] Inventor: **Richard C. Everett**, 225 Sunshine La.,
West Linn, Oreg. 97068

[**] Term: **14 Years**

[21] Appl. No.: **29/091,805**

[22] Filed: **Aug. 6, 1998**

[51] **LOC (6) Cl.** **12-11**

[52] **U.S. Cl.** **D12/114**

[58] **Field of Search** D12/114, 101;
280/202, 204, 239, 288.1, 881.1

[56] **References Cited**

U.S. PATENT DOCUMENTS

D. 356,761	3/1995	Jacobs et al.	D12/114
4,883,283	11/1989	Hazelett et al.	280/204
5,573,259	11/1996	Castillo et al.	280/204

Primary Examiner—Pamela Burgess
Attorney, Agent, or Firm—Edward E. Roberts

[57] **CLAIM**

The ornamental design for a trailer for a bicycle, as shown and described.

DESCRIPTION

FIG. 1 is a perspective view of a trailer for a bicycle showing my new design, the broken lines shown are for illustrative purposes only and form no part of the claimed design.

FIG. 2 is a left side elevational view thereof;

FIG. 3 is a right side elevational view thereof;

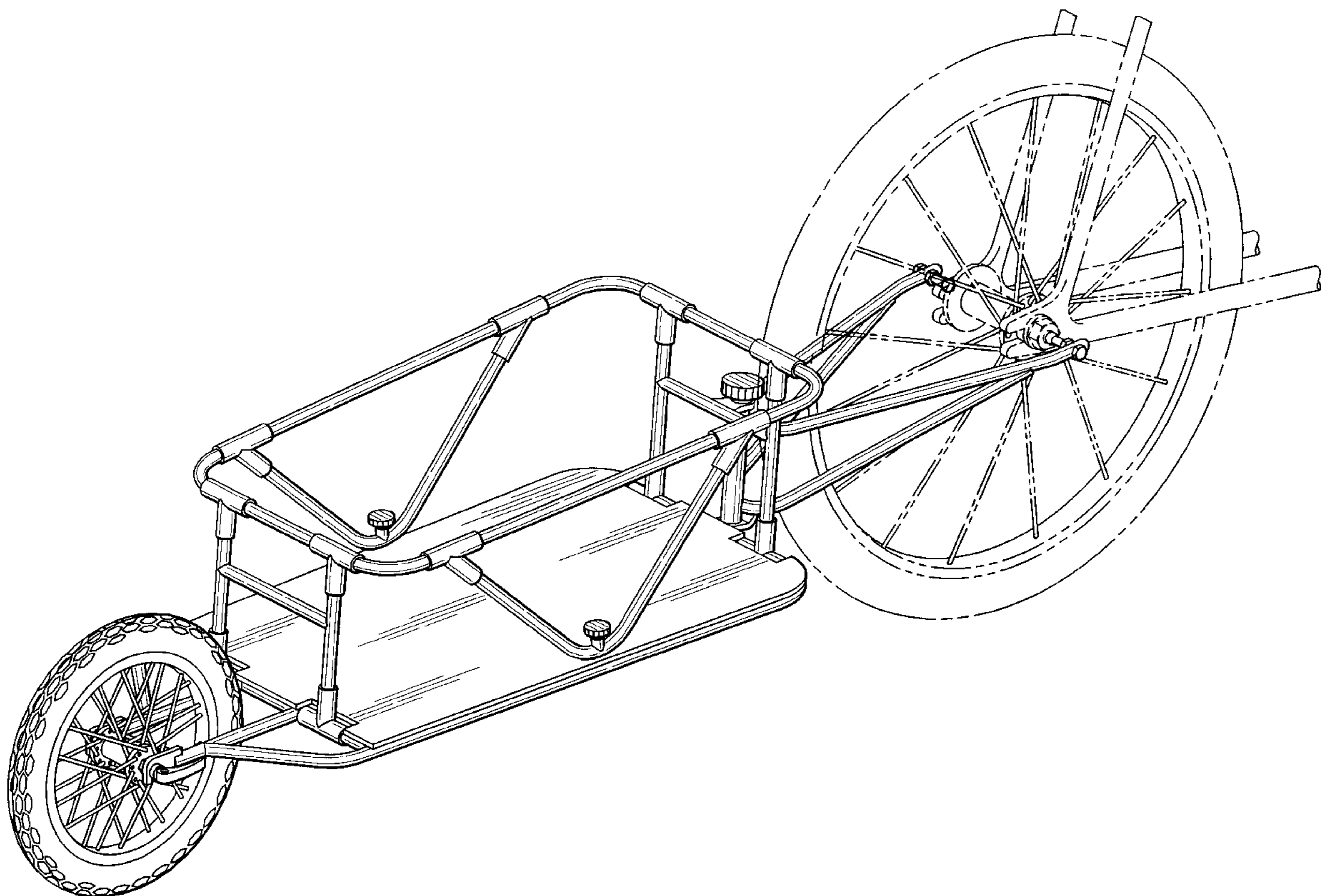
FIG. 4 is a front elevational view thereof;

FIG. 5 is a back elevational view thereof;

FIG. 6 is a top view thereof; and,

FIG. 7 is a bottom view thereof.

1 Claim, 4 Drawing Sheets



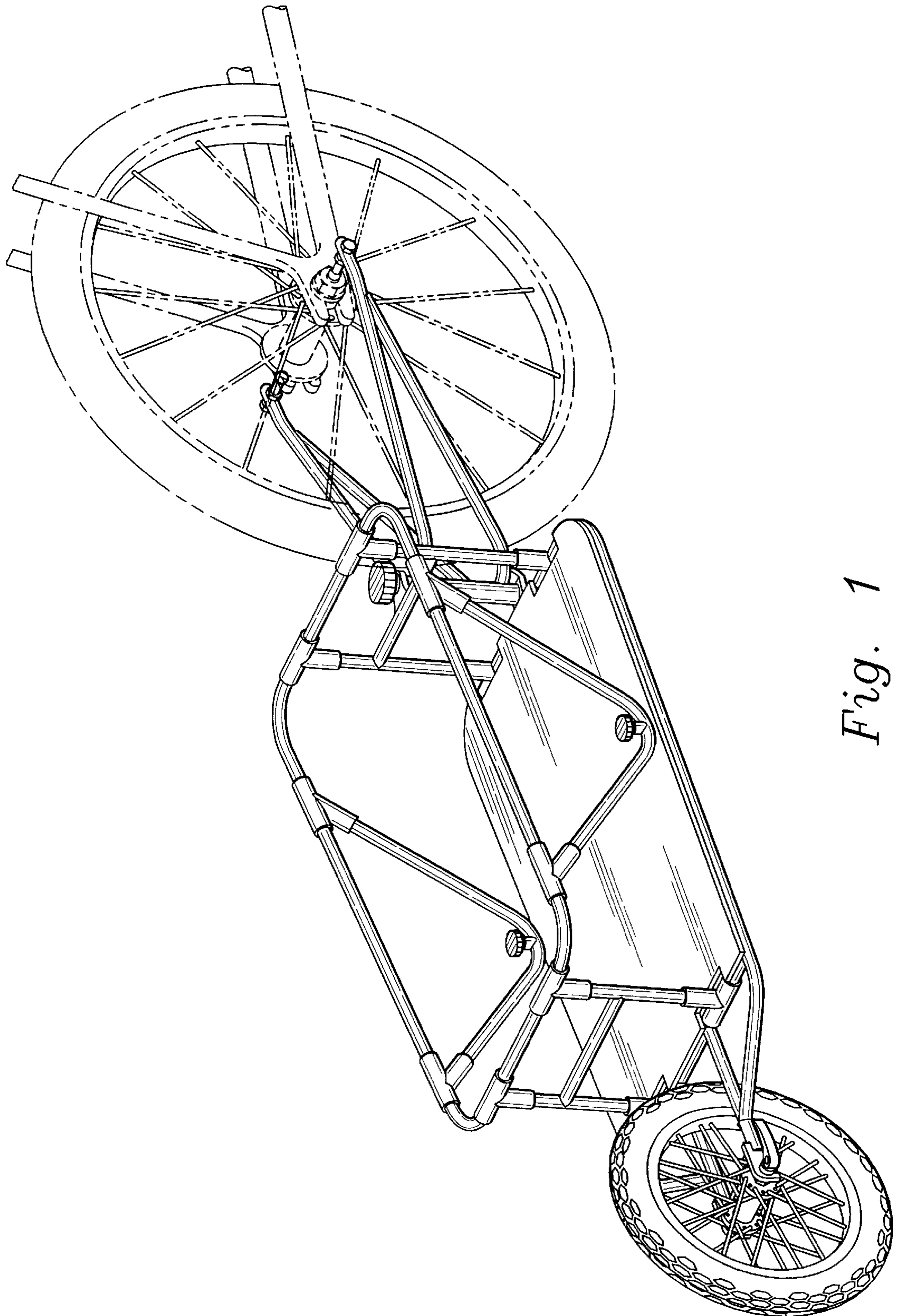


Fig. 1

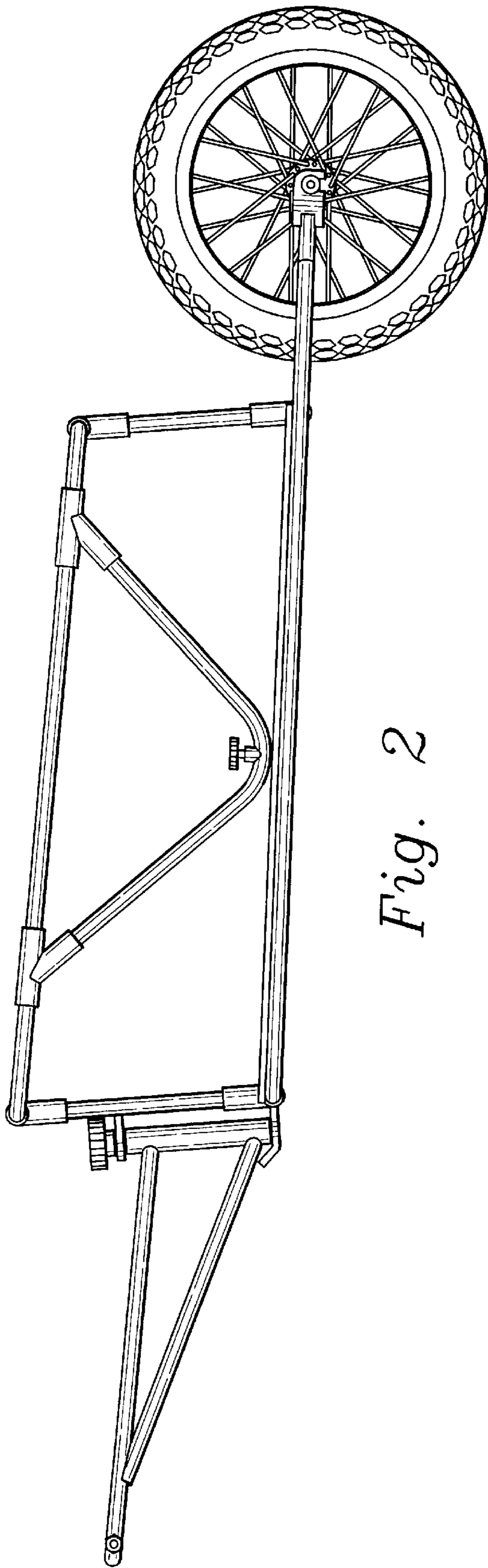


Fig. 2

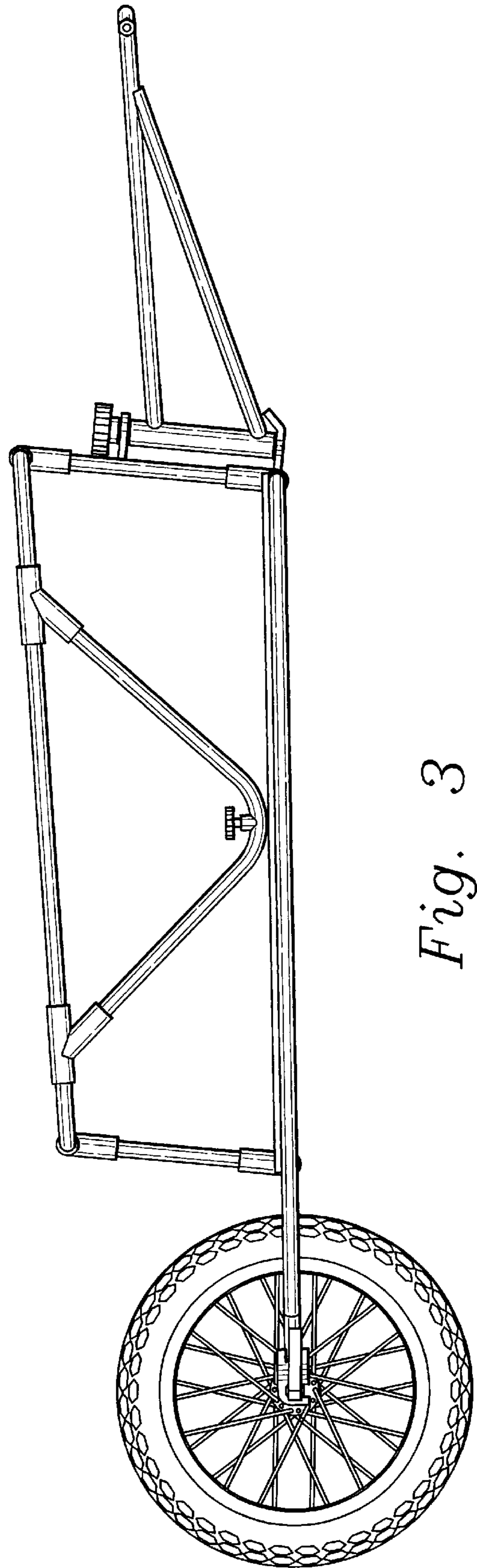


Fig. 3

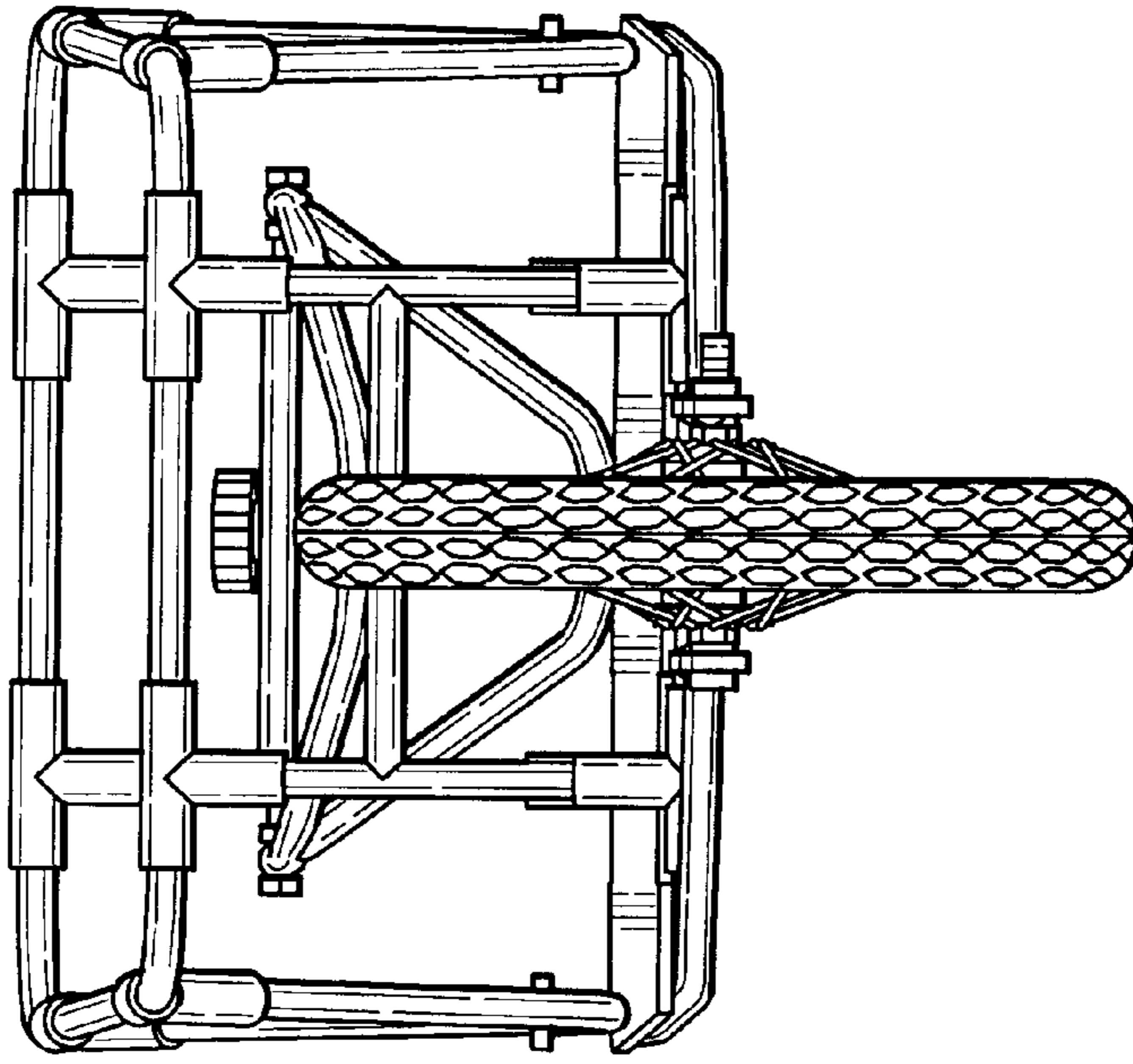


Fig. 5

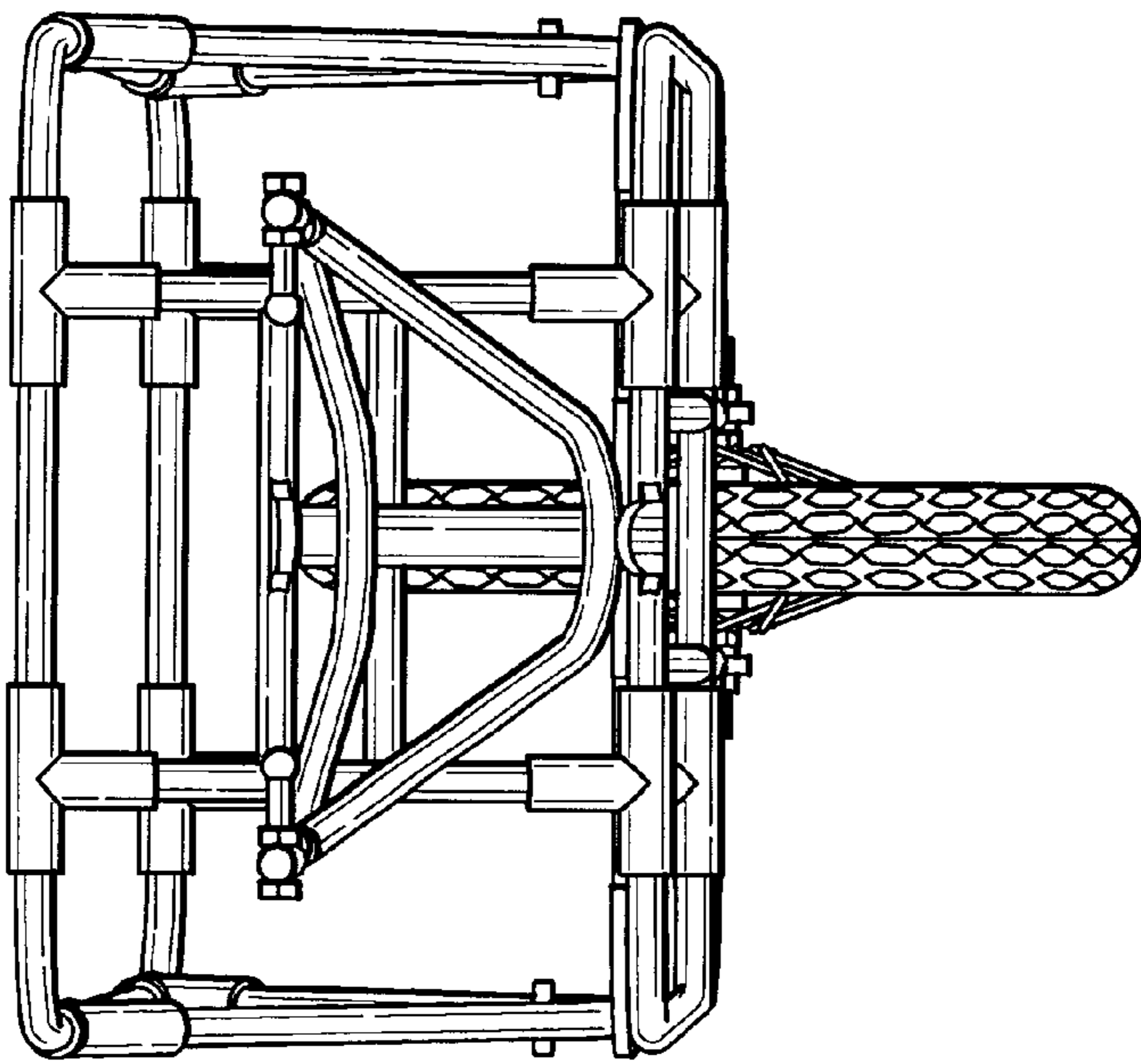


Fig. 4

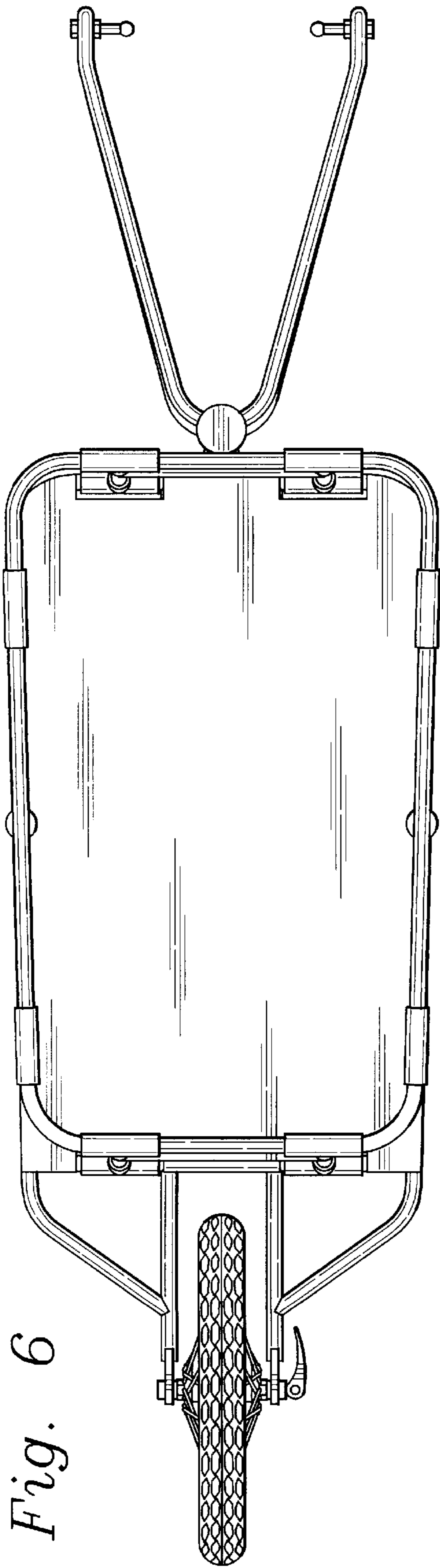


Fig. 6

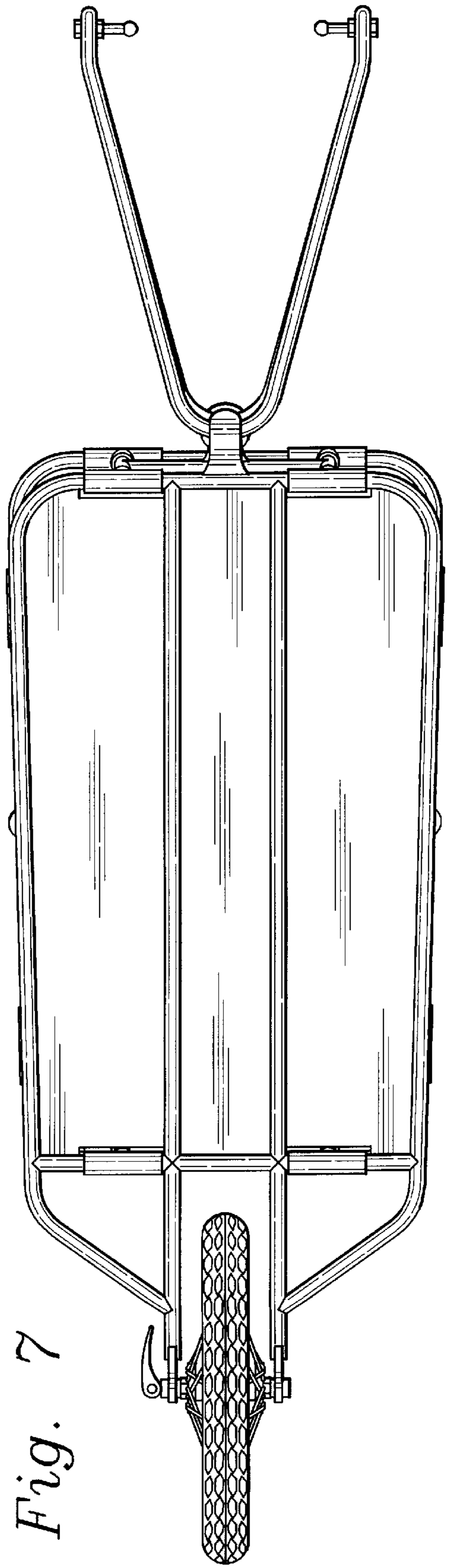


Fig. 7