



US00D409115S

# United States Patent [19] Kidd

[11] Patent Number: Des. 409,115

[45] Date of Patent: \*\* May 4, 1999

[54] REPLACEMENT BUTTON

[76] Inventor: Susan F. Kidd, 3343 Windsor Dr.,  
Charlotte, N.C. 28209

[\*\*] Term: 14 Years

[21] Appl. No.: 29/090,160

[22] Filed: Jul. 1, 1998

[51] LOC (6) Cl. .... 12-06

[52] U.S. Cl. .... D11/226

[58] Field of Search ..... D11/200, 213-216,  
D11/222-228; 24/95-96, 113, 99, 90 C,  
902; 79/5; 63/2

### [56] References Cited

#### U.S. PATENT DOCUMENTS

327,101	9/1885	Palmer .	
D. 337,967	8/1993	Wright .....	D11/226
D. 354,720	1/1995	Estes .....	D11/222
D. 361,740	8/1995	Kidd .	
D. 377,919	2/1997	Singer et al. ....	D11/226
D. 380,418	7/1997	Michael .....	D11/222
D. 390,162	2/1998	Philipson et al. .	
437,874	10/1890	Traut .	
452,045	5/1891	Jackson .	
522,239	7/1894	Shipley et al. .	
857,917	6/1907	Alz .	
947,557	1/1910	Nelson .	
1,358,465	11/1920	Reston .	
1,452,052	4/1923	Nalle .	
1,489,778	10/1924	Merzinger .	
1,594,416	12/1926	Kellog .	
1,682,771	3/1928	Butler .	
2,075,722	3/1937	Illsche .	
2,127,363	3/1938	Illsche .	
2,436,323	2/1948	Nycgard .	

3,771,199	11/1973	Eldringhoff .
3,934,314	1/1976	Whysall .
4,169,302	10/1979	Ferguson .
4,387,488	6/1983	Kanazaka .
4,495,678	1/1985	Coley et al. .
4,794,672	1/1989	Olovson .
5,426,828	6/1995	Kusano .

#### FOREIGN PATENT DOCUMENTS

203770 11/1958 Austria .

#### OTHER PUBLICATIONS

Emergency Buttons, Lillian Vernon Catalog, date unknown.

Primary Examiner—Ralf Seifert  
Attorney, Agent, or Firm—McGuire, Woods, Battle &  
Boothe LLP; Mark A. Taylor

### [57] CLAIM

The ornamental design for a replacement button, as shown and described.

#### DESCRIPTION

FIG. 1 is a frontal perspective view of a replacement button according to the preferred embodiment of the present invention;

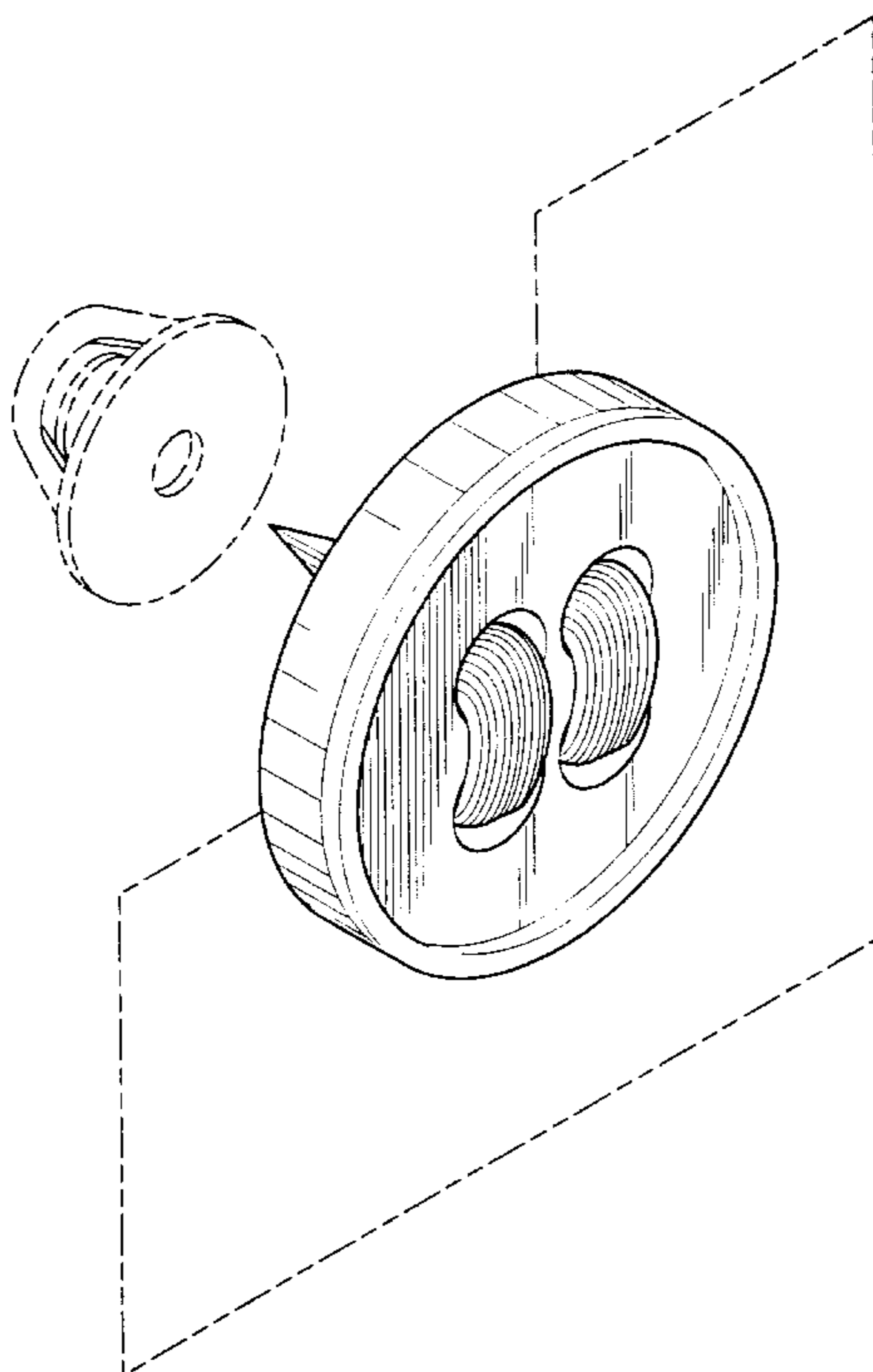
FIG. 2 is front view of the replacement button illustrated in FIG. 1;

FIG. 3 is a rear view of the replacement button illustrated in FIG. 1; and,

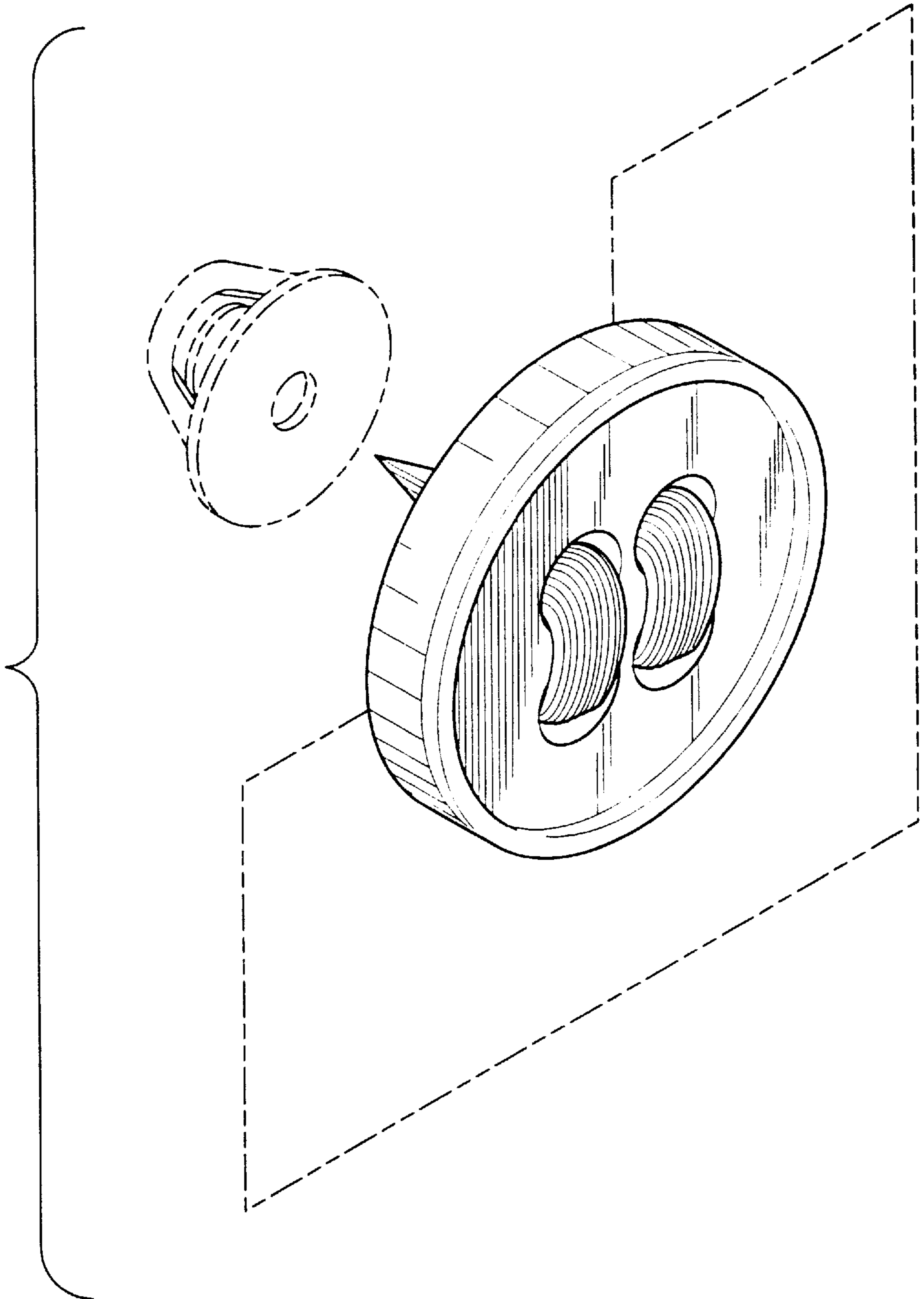
FIG. 4 is a right side view of the replacement button illustrated in FIG. 1; the left side being identical due to the symmetry of the present invention.

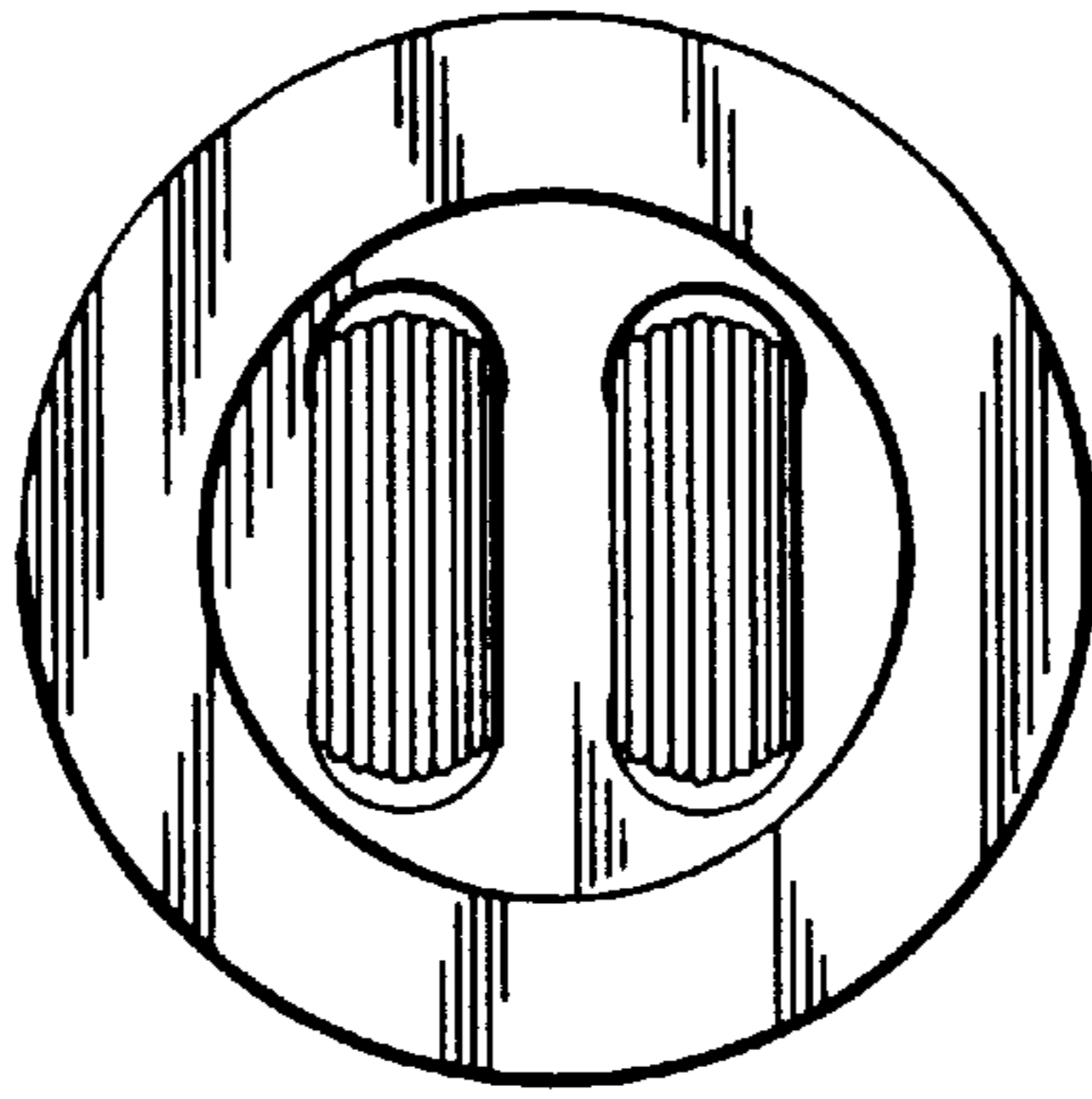
The broken line showing of a fastening element and swatch, in FIG. 1, is for illustrative purposes only and forms no part of the claimed design.

1 Claim, 2 Drawing Sheets

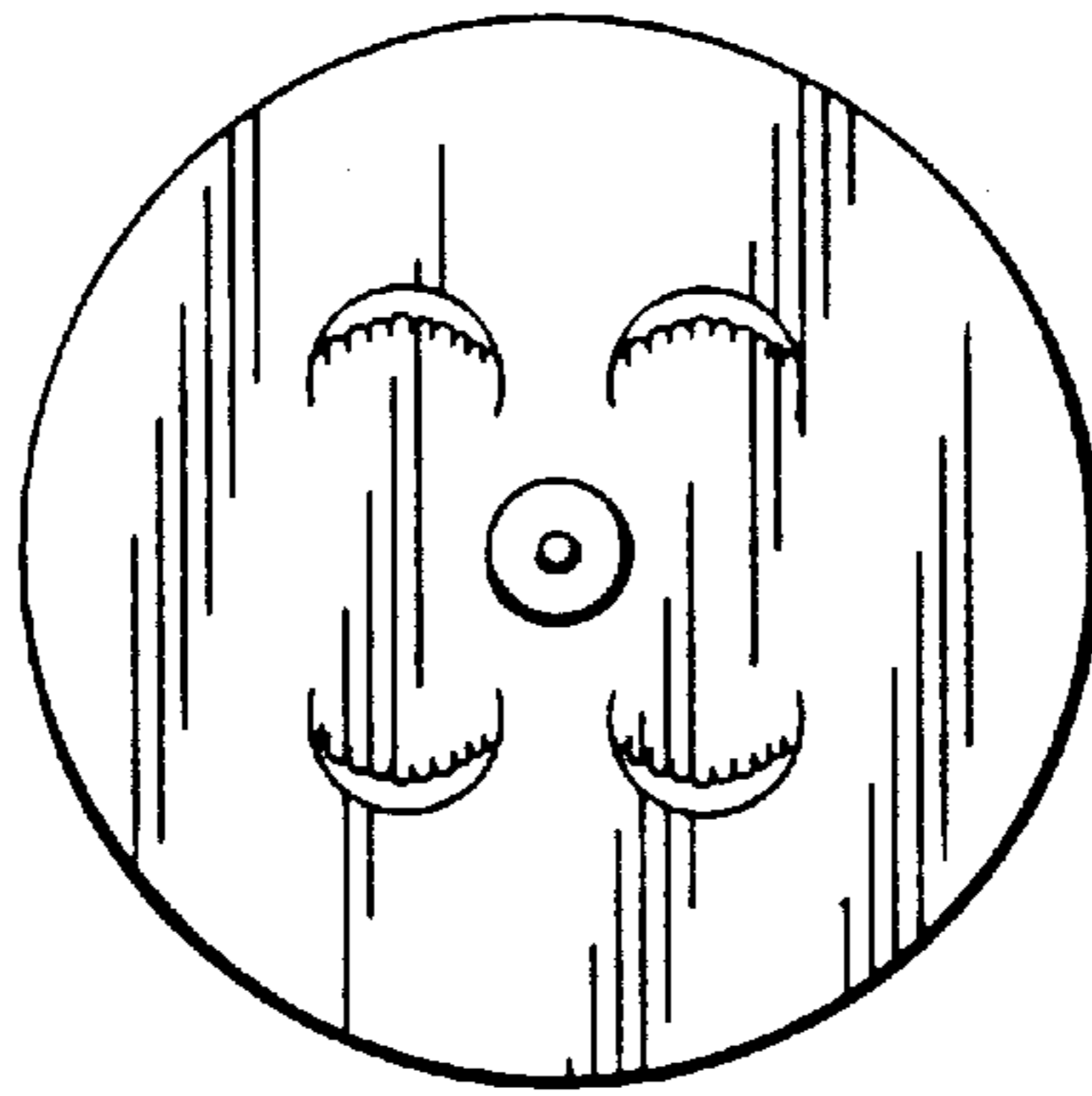


*Fig. 1*

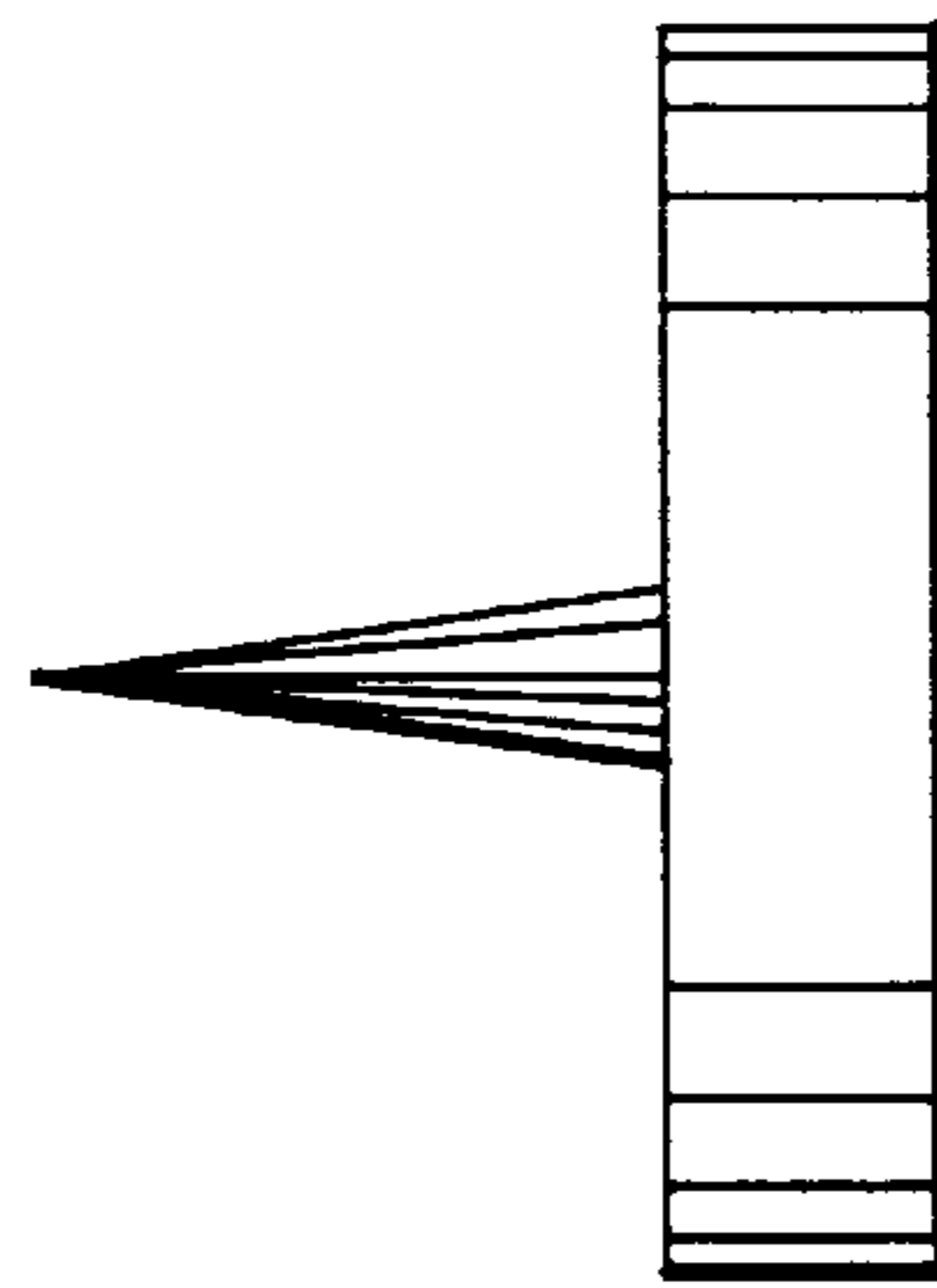




*Fig. 2*



*Fig. 3*



*Fig. 4*