



US00D409105S

# United States Patent [19] Hendrickson

[11] **Patent Number: Des. 409,105**

[45] **Date of Patent: \*\* May 4, 1999**

[54] **LIGHT SOCKET TESTING PROBE**

[76] Inventor: **Robert C. Hendrickson**, 724 S. Irvine Ave., Sharon, Pa. 16146

[\*\*] Term: **14 Years**

[21] Appl. No.: **29/086,638**

[22] Filed: **Apr. 16, 1998**

[51] **LOC (6) Cl.** ..... **10-04**

[52] **U.S. Cl.** ..... **D10/78**

[58] **Field of Search** ..... D10/78; 324/72.5, 324/133, 149, 158, 501, 519, 527, 530, 555, 556

[56] **References Cited**

**U.S. PATENT DOCUMENTS**

D. 355,861	2/1995	Welsh	.....	D10/78
D. 397,628	9/1998	Suzuki et al.	.....	D10/78
5,717,328	2/1998	Kerr et al.	.....	324/149

*Primary Examiner*—Antoine Duval Davis

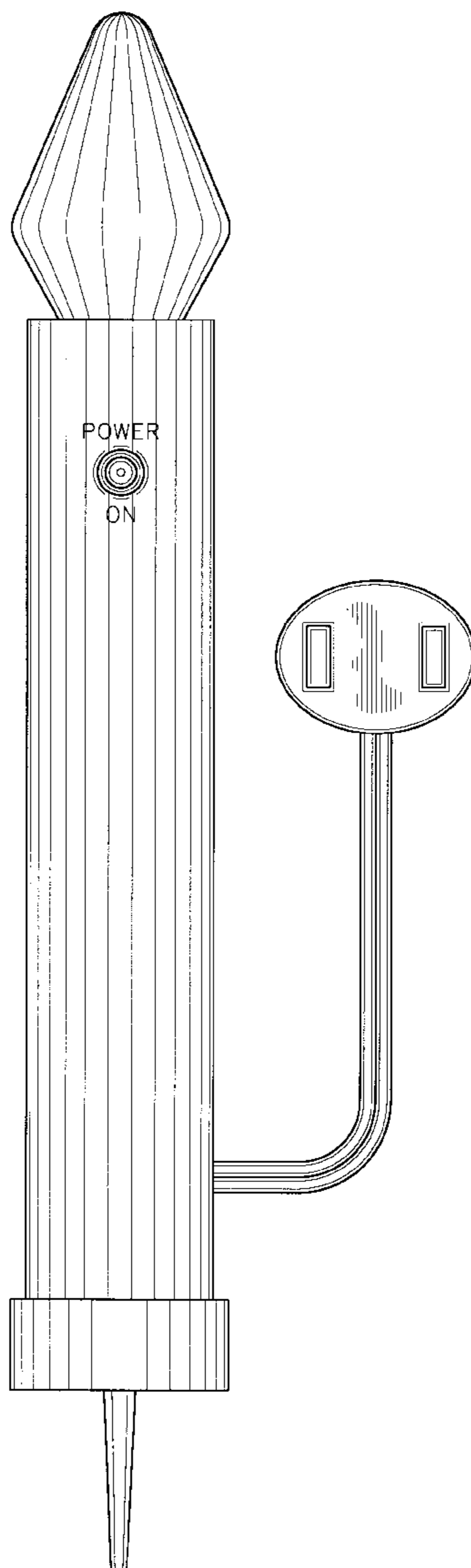
[57] **CLAIM**

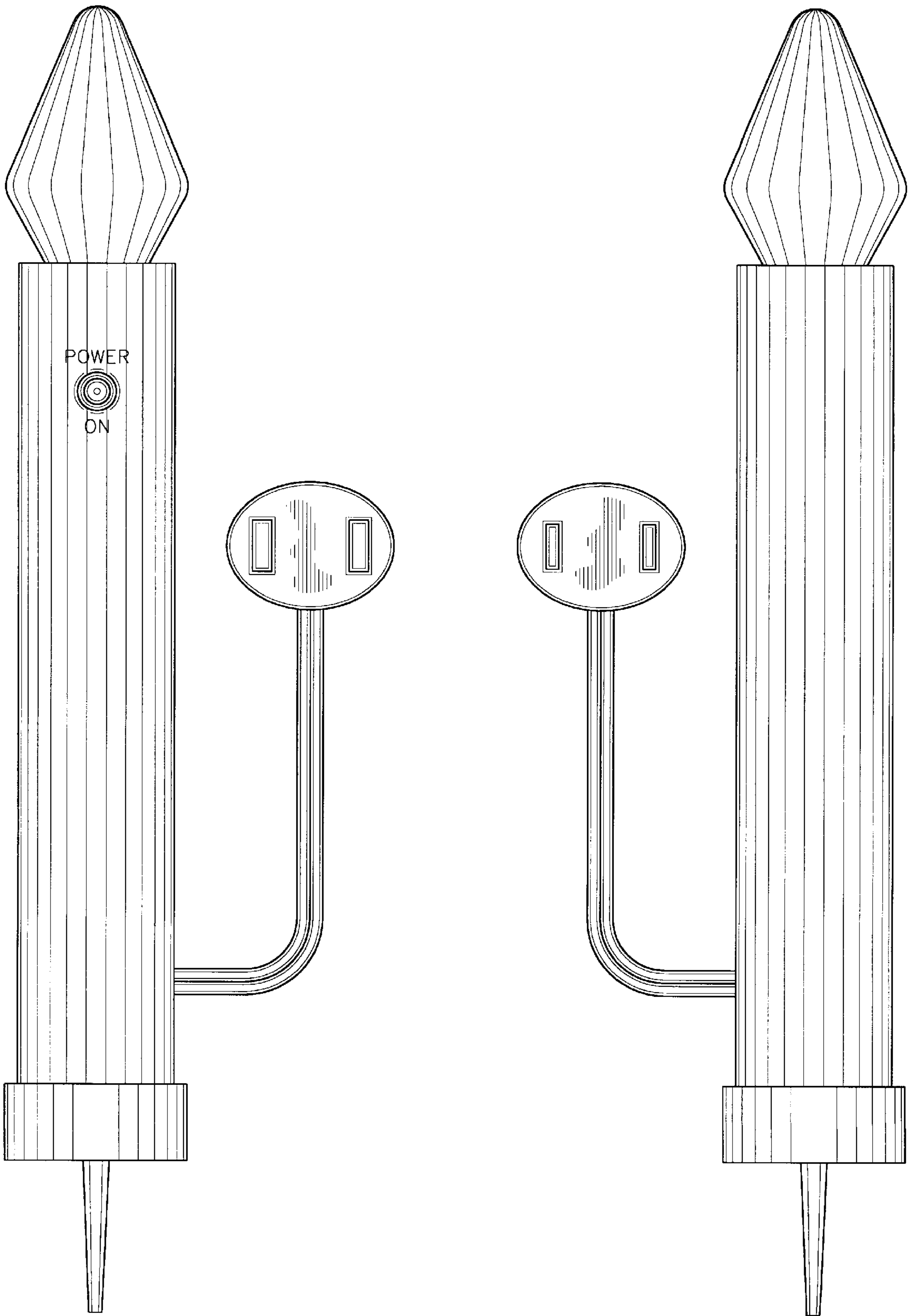
The ornamental design for a light socket testing probe, as shown.

**DESCRIPTION**

FIG. 1 is a front elevational view of the light socket testing probe of the present invention;  
 FIG. 2 is a back elevational view of the light socket testing probe of FIG. 1;  
 FIG. 3 is a left side elevational view of the light socket testing probe of FIG. 1;  
 FIG. 4 is a right side elevational view of the light socket testing probe of FIG. 1;  
 FIG. 5 is a top plan view of the light socket testing probe of FIG. 1; and,  
 FIG. 6 is a bottom plan view of the light socket testing probe of FIG. 1.

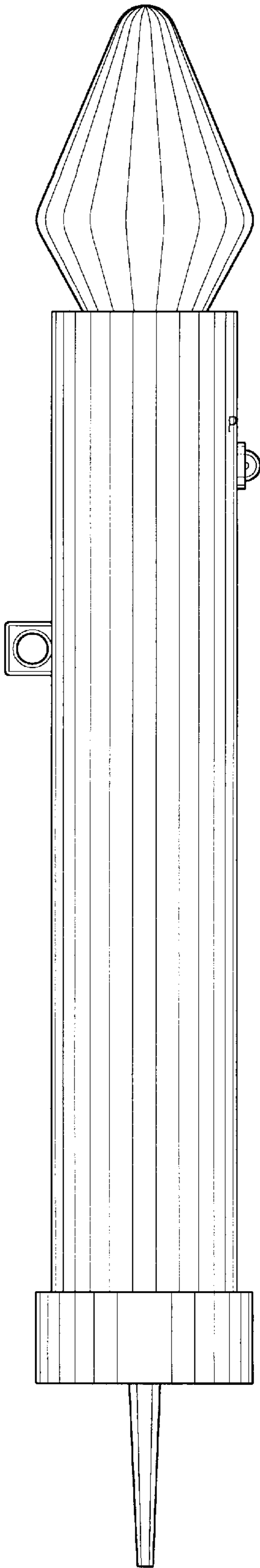
**1 Claim, 3 Drawing Sheets**



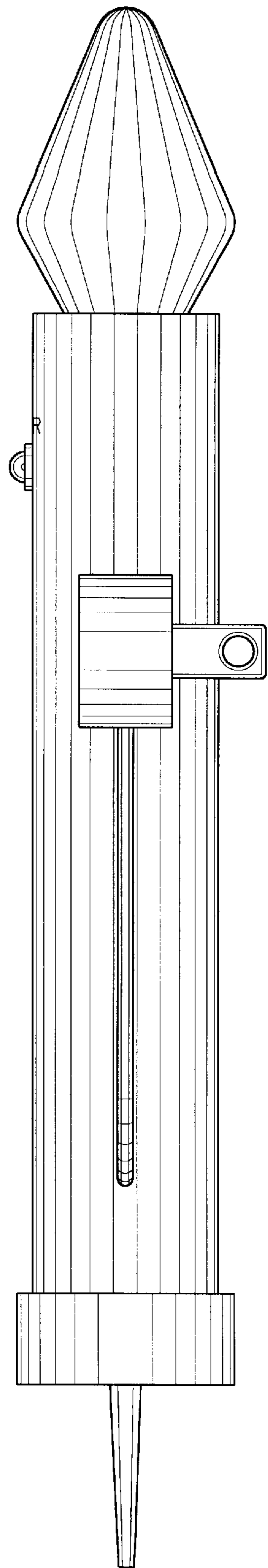


*Fig. 1*

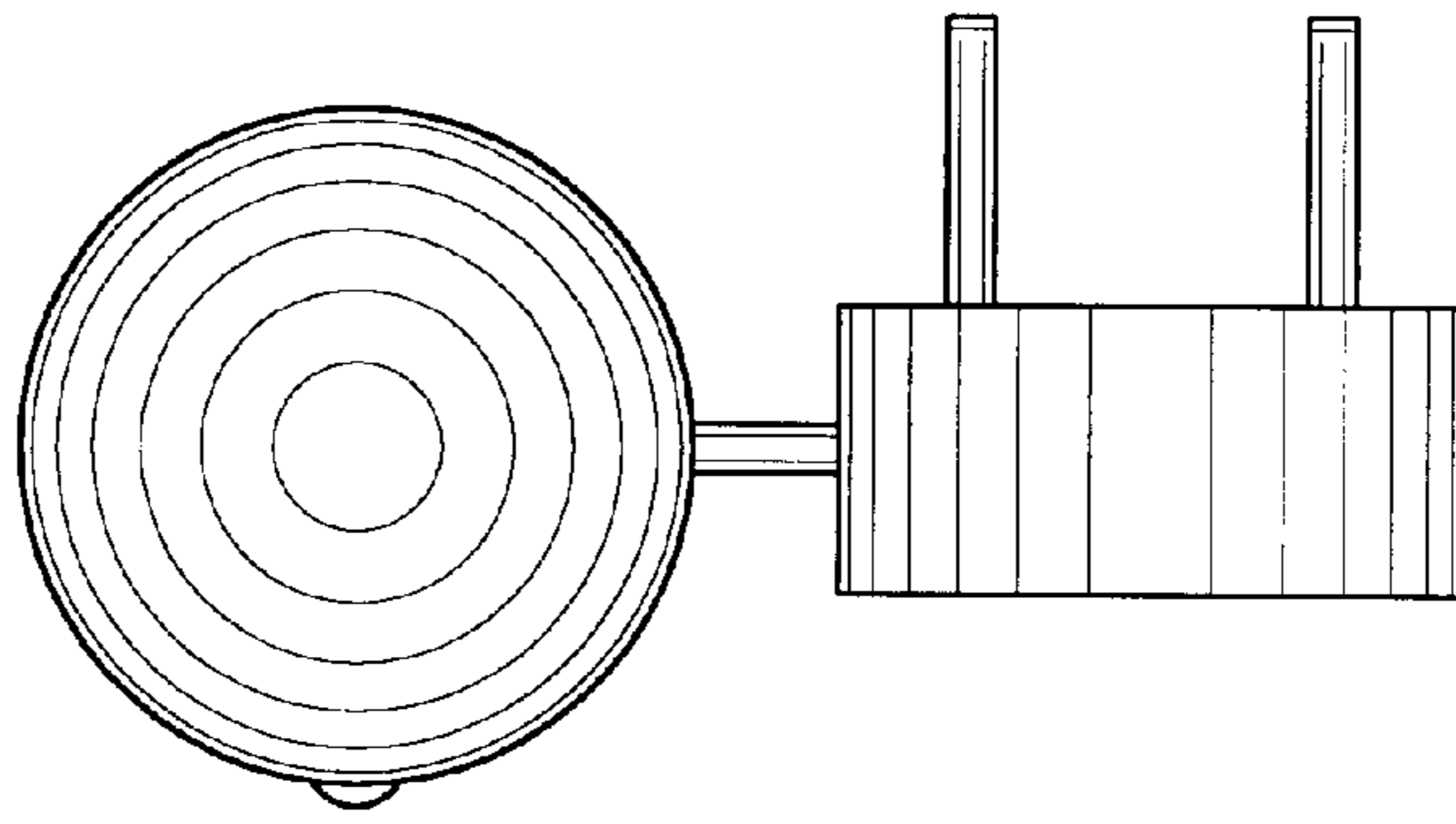
*Fig. 2*



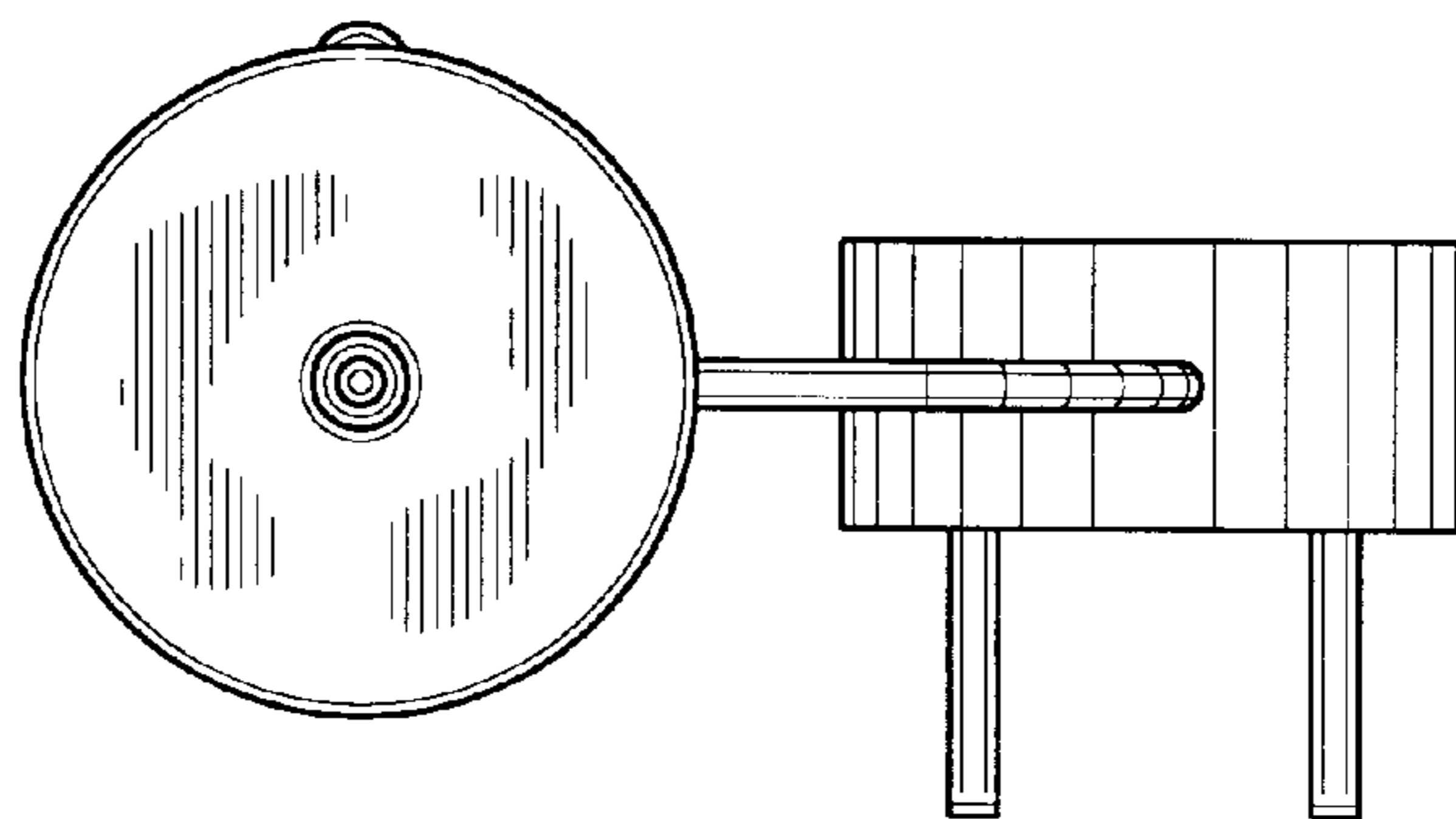
*Fig. 3*



*Fig. 4*



*Fig. 5*



*Fig. 6*