



US00D409104S

**United States Patent** [19]  
**Yang**

[11] **Patent Number: Des. 409,104**

[45] **Date of Patent: \*\* May 4, 1999**

[54] **MEASURING TAPE END HOOK**

4,760,648 8/1988 Doak et al. .... 33/763  
4,930,227 6/1990 Ketchpel ..... D10/72 X

[75] Inventor: **Tse-Chung Yang**, Taoyuan, Taiwan

*Primary Examiner*—Antoine Duval Davis

[73] Assignee: **Taiwan Woei Shing Co., Ltd.**, Taoyuan  
Hsien, Taiwan

[57] **CLAIM**

[\*\*] Term: **14 Years**

The ornamental design for a measuring tape end hook, as shown and described.

[21] Appl. No.: **29/086,564**

**DESCRIPTION**

[22] Filed: **Apr. 15, 1998**

FIG. 1 is a perspective view of measuring tape end hook showing my new design;

[51] **LOC (6) Cl.** ..... **10-04**

FIG. 2 is a front elevational view thereof;

[52] **U.S. Cl.** ..... **D10/74**

FIG. 3 is a rear elevational view thereof;

[58] **Field of Search** ..... D10/72, 74; 33/755-770

FIG. 4 is a left side elevational view thereof;

FIG. 5 is a right side elevational view thereof;

[56] **References Cited**

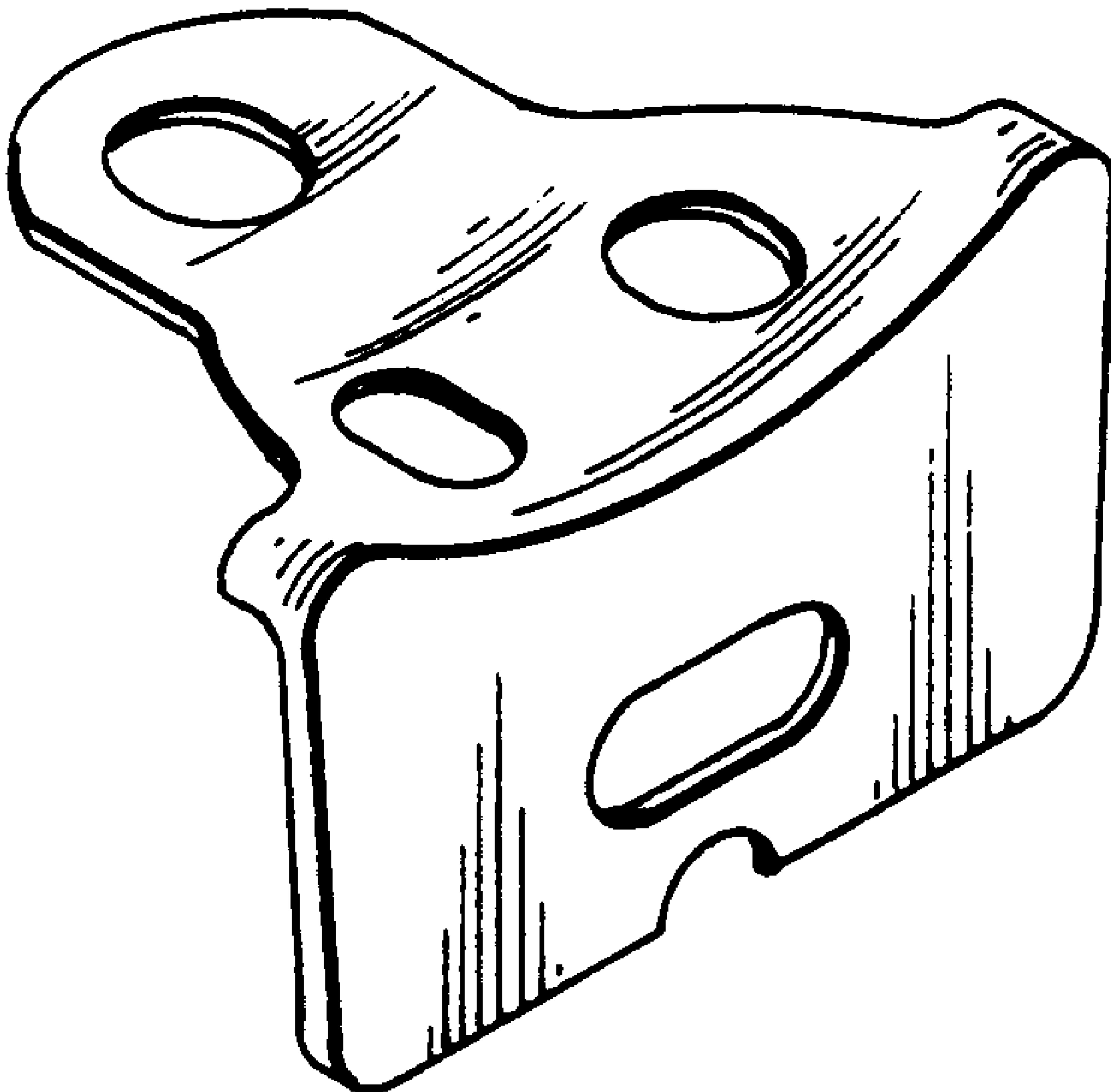
FIG. 6 is a top view thereof; and,

FIG. 7 is a bottom view thereof.

**U.S. PATENT DOCUMENTS**

4,580,347 4/1986 McKnight ..... 33/763

**1 Claim, 2 Drawing Sheets**



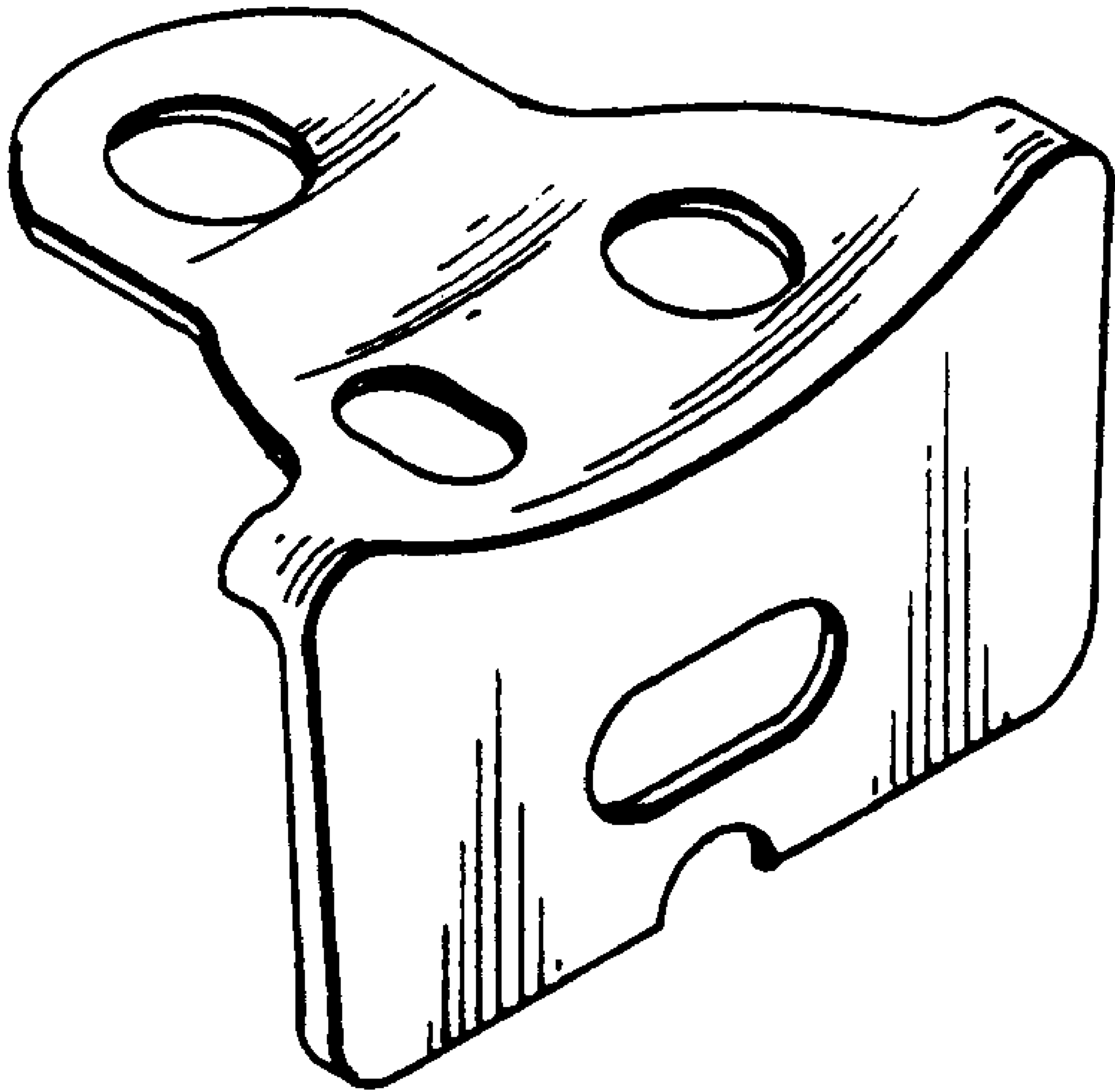


Fig. 1

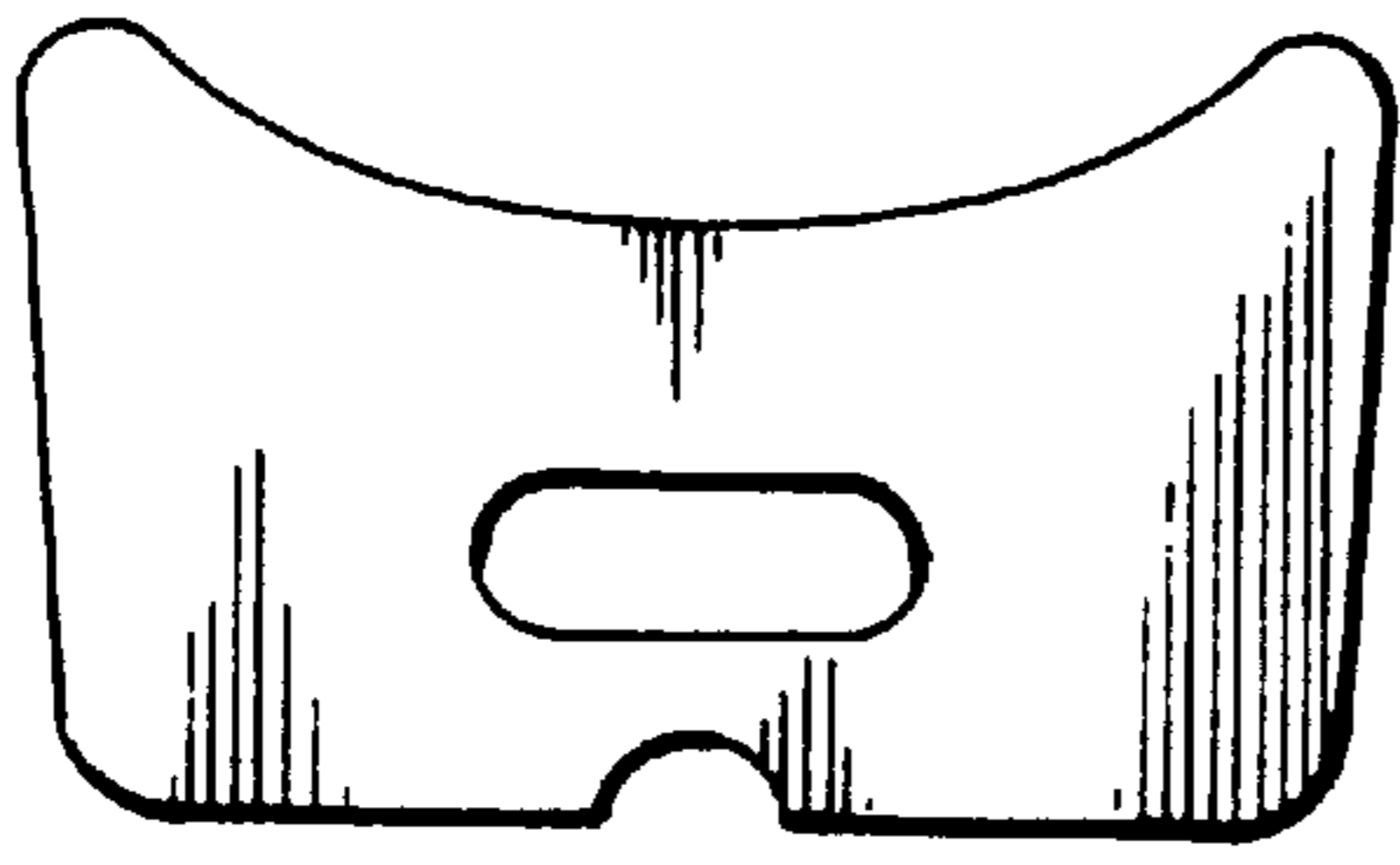


Fig. 2

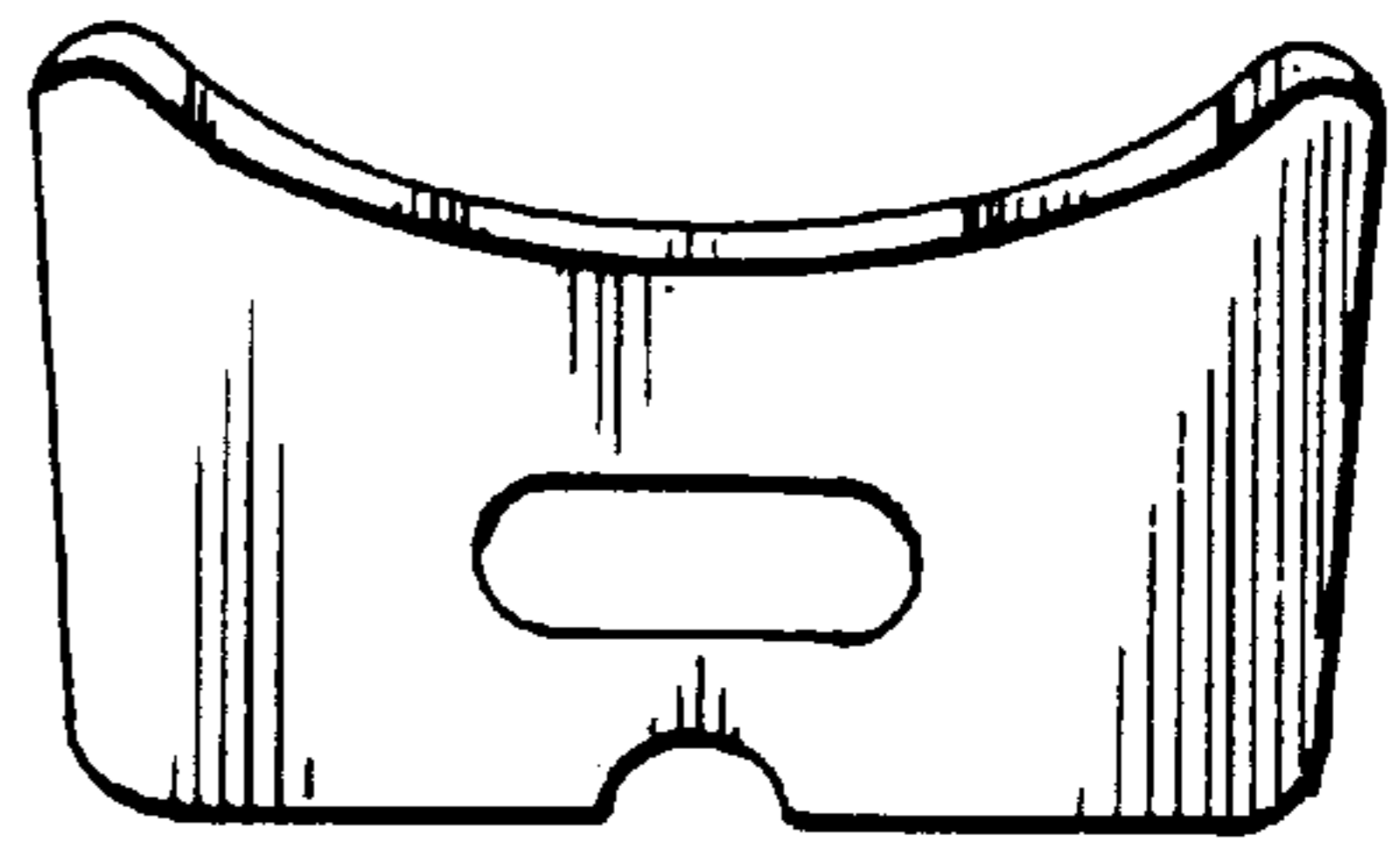


Fig. 3

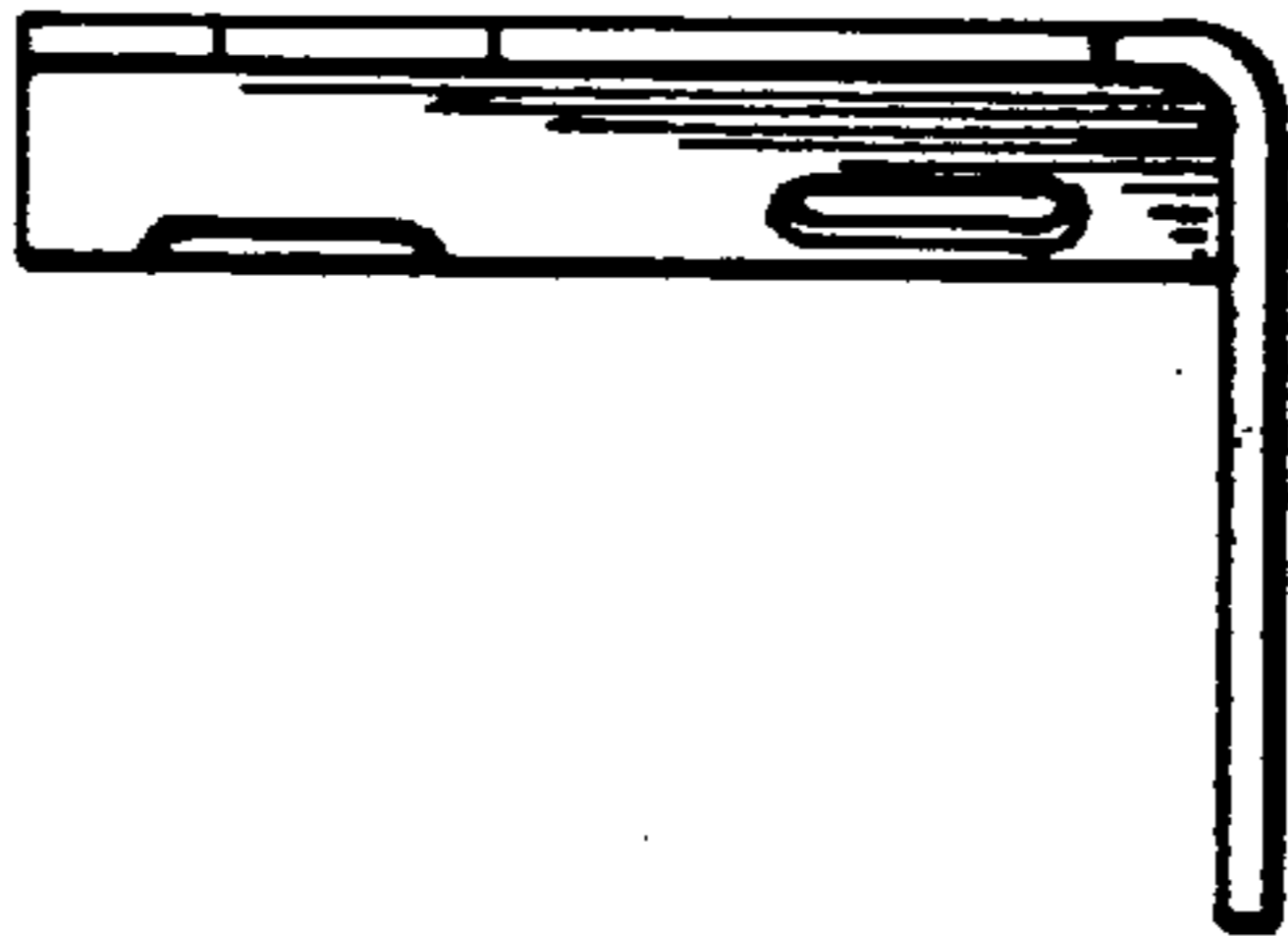


Fig. 4

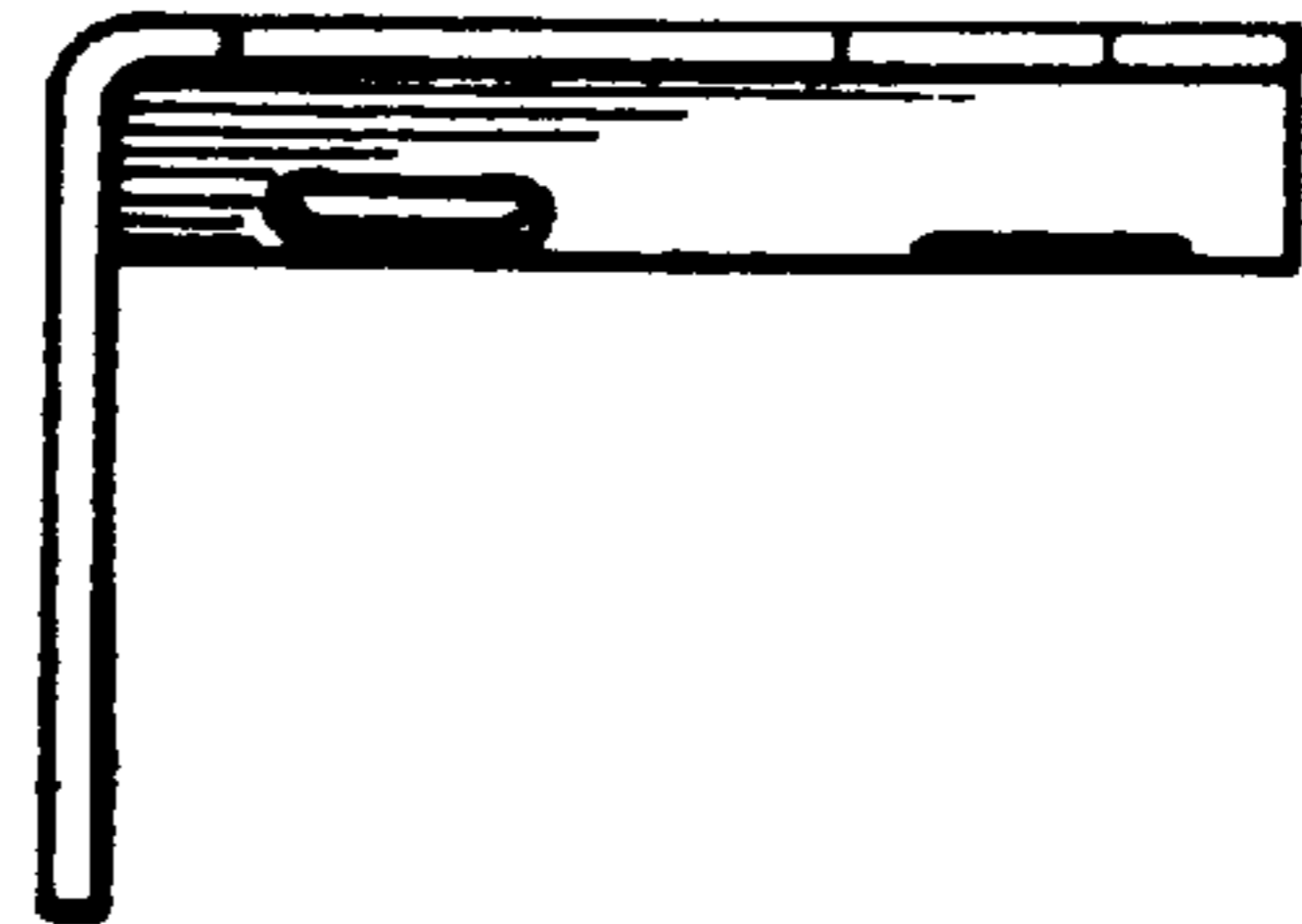


Fig. 5

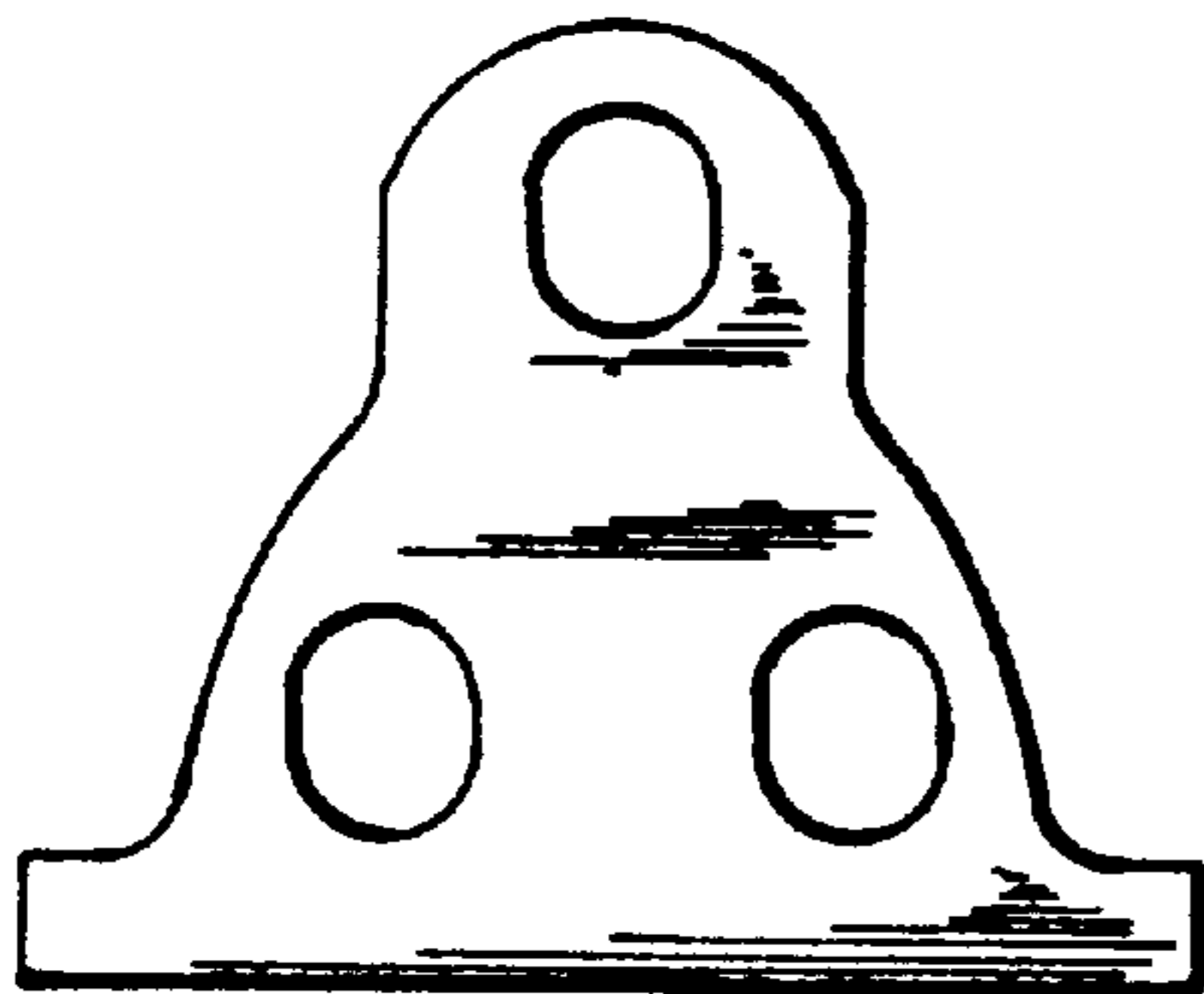


Fig. 6

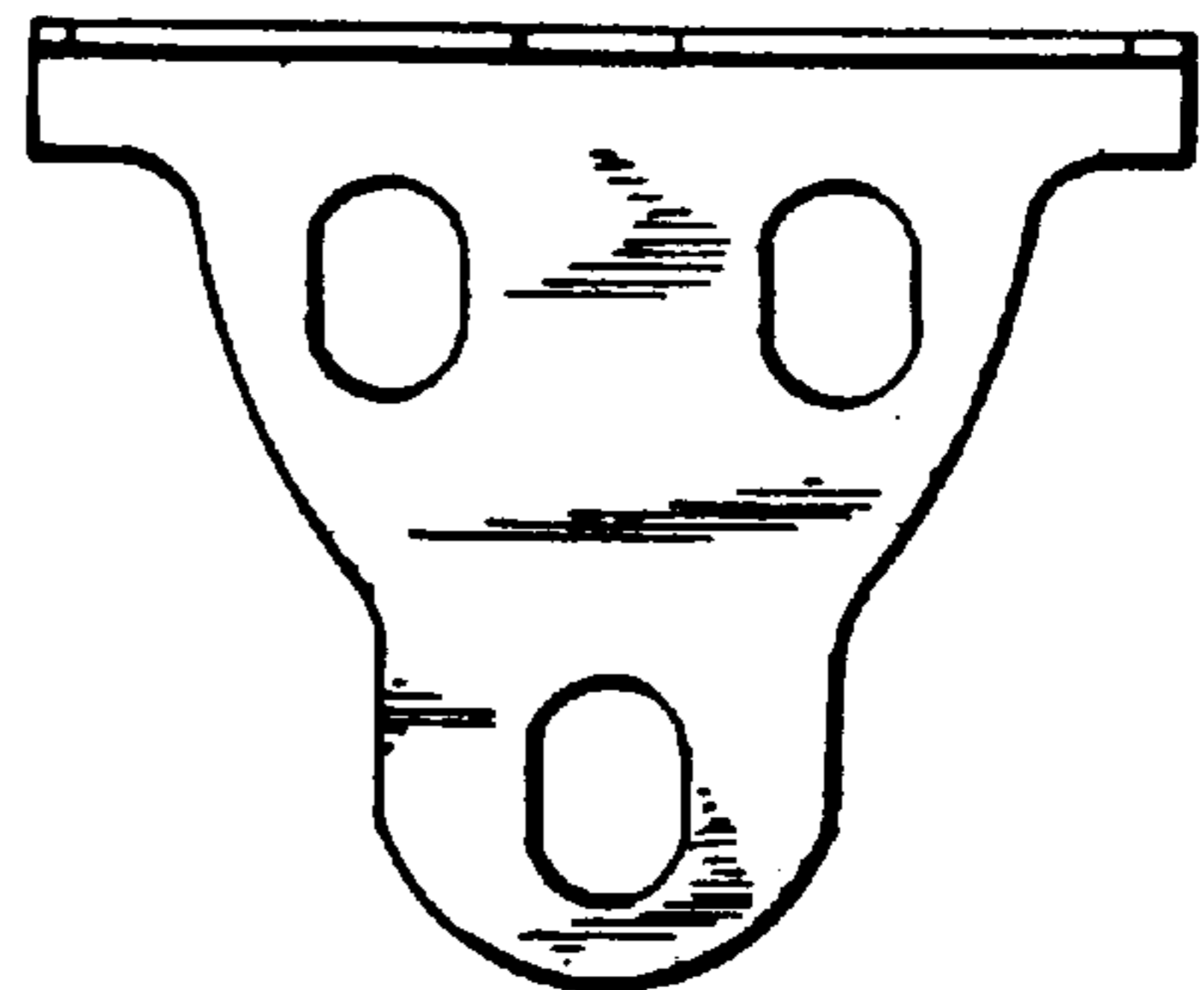


Fig. 7