



US00D409100S

United States Patent [19]
Brimer

[11] **Patent Number: Des. 409,100**

[45] **Date of Patent: ** May 4, 1999**

[54] **NO-DOG BUBBLE LEVEL**

[76] Inventor: **David W. Brimer**, 2012 Garfield,
Granite City, Ill. 62040

[**] Term: **14 Years**

[21] Appl. No.: **29/089,730**

[22] Filed: **Jun. 22, 1998**

Related U.S. Application Data

[63] Continuation-in-part of application No. 08/690,248, Jul. 19, 1996, abandoned, and a continuation-in-part of application No. 08/838,277, Apr. 16, 1997, abandoned.

[51] **LOC (6) Cl.** **10-04**

[52] **U.S. Cl.** **D10/69**

[58] **Field of Search** D10/69; 33/369-381

[56] **References Cited**

U.S. PATENT DOCUMENTS

2,816,369	12/1957	Becker	33/371
2,842,863	7/1958	Hellwig	33/371
3,106,024	10/1963	Lea	33/371
3,435,533	4/1969	Whitfield	33/371
4,189,844	2/1980	Riggins, Sr.	D10/69
4,274,208	6/1981	Yakkel	33/371
4,394,799	7/1983	Moree et al.	33/371

4,829,676	5/1989	Waldron	33/371
4,947,556	8/1990	Peil	33/371
5,154,000	10/1992	Mahoney et al.	33/371
5,167,075	12/1992	Weldy et al.	33/371
5,535,523	7/1996	Endris	33/371

OTHER PUBLICATIONS

Spirit Level, Modern Plastics, pp. 122-123, Apr. 1945.

Primary Examiner—Antoine Duval Davis
Attorney, Agent, or Firm—Don W. Weber

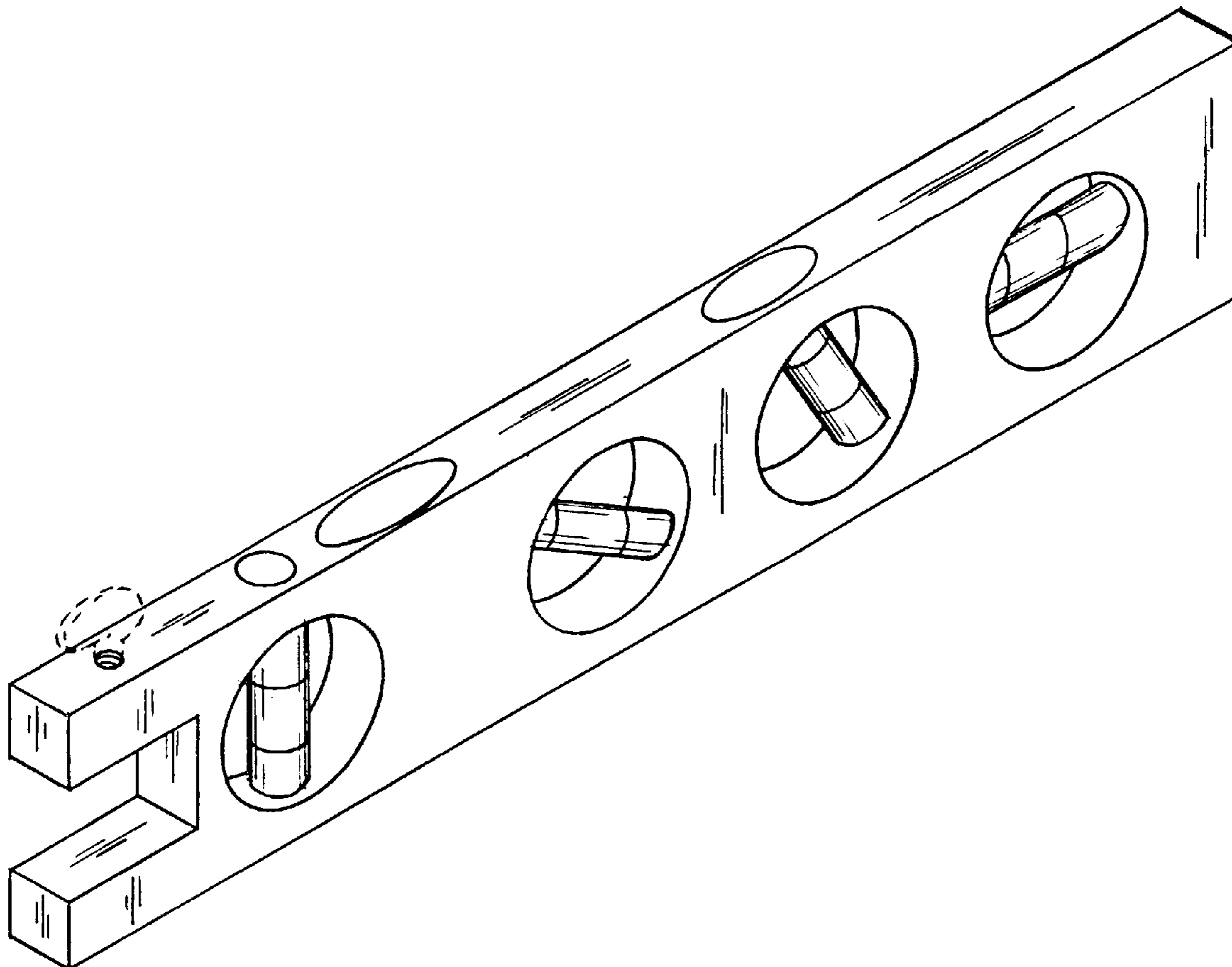
[57] **CLAIM**

The ornamental design for a no-dog bubble level, as shown and described.

DESCRIPTION

FIG. 1 is a perspective view of the level.
FIG. 2 is a front view of the bubble level. The front view is a mirror image of the rear view.
FIG. 3 is a top view of the bubble level.
FIG. 4 is a bottom view of the bubble level.
FIG. 5 is a left end view of the bubble level; and,
FIG. 6 is a right end view of the bubble level.
The broken line showing is for illustrative purposes only and forms no part of the claimed design.

1 Claim, 2 Drawing Sheets



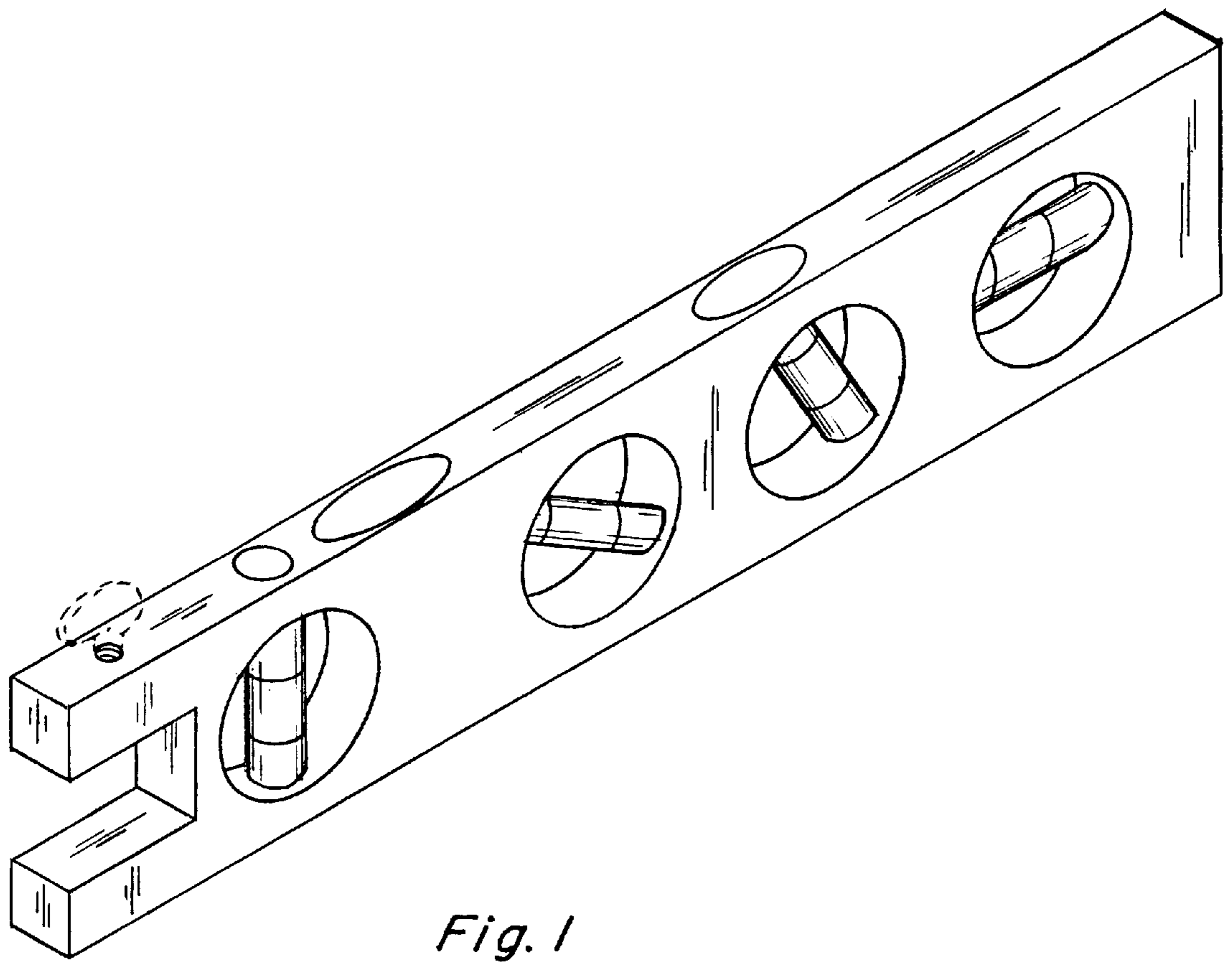


Fig. 1

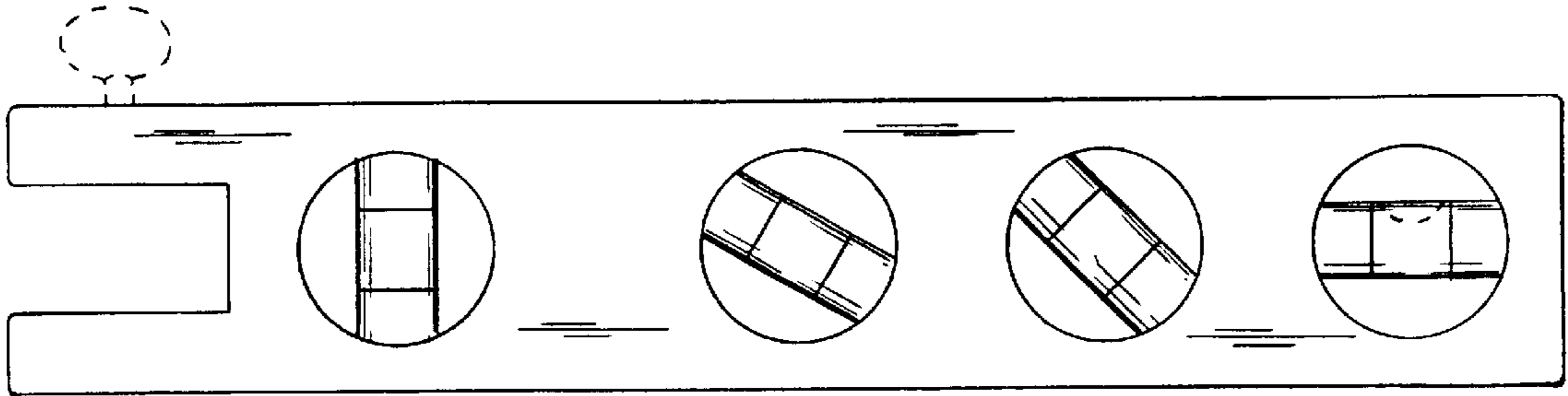


Fig. 2

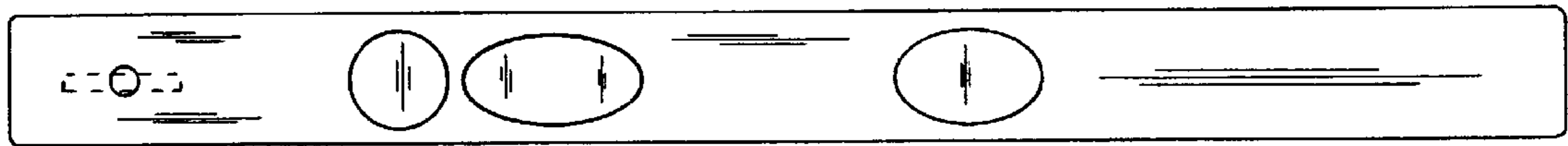


Fig. 3

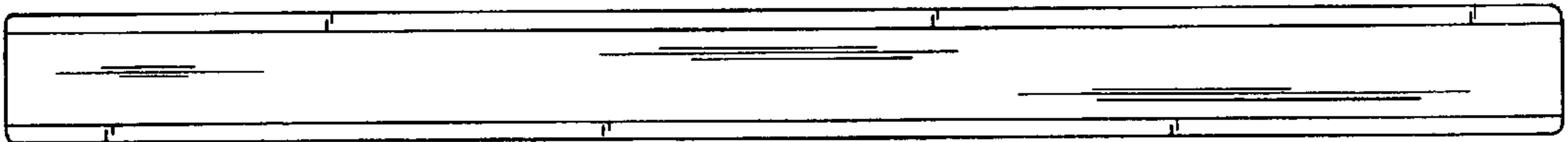


Fig. 4

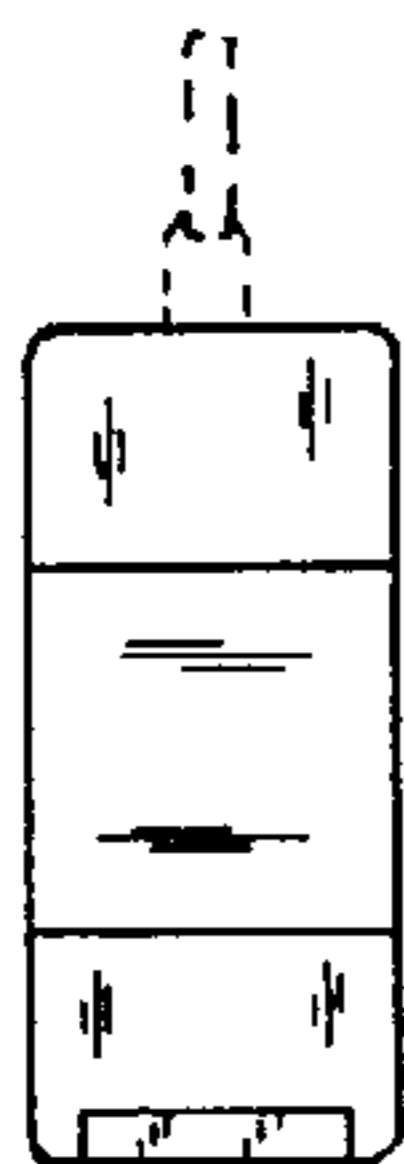


Fig. 5



Fig. 6