



US00D409098S

# United States Patent [19]

[11] Patent Number: **Des. 409,098**

Michaeli

[45] Date of Patent: **\*\* May 4, 1999**

[54] **ADJUSTABLE UNIT CIRCLE BOARD FOR EVALUATING TRIGONOMETRIC FUNCTIONS AND THEIR SIGNS**

3,386,190 6/1968 Savin et al. .... 434/214  
5,114,347 5/1992 Camp ..... 434/214

Primary Examiner—Antoine Duval Davis

[76] Inventor: **Shoshana Michaeli**, 10-08 Fairlawn Ave., Fair Lawn, N.J. 07410

## [57] CLAIM

[\*\*] Term: **14 Years**

The ornamental design for an adjustable unit circle board for evaluating trigonometric functions and their signs, as shown and described.

[21] Appl. No.: **29/074,208**

## DESCRIPTION

[22] Filed: **Jul. 28, 1997**

FIG. 1 is a front elevational view of the adjustable unit circle board for evaluating trigonometric functions and their signs showing my new design;  
FIG. 2 is a rear elevational view thereof;  
FIG. 3 is a right side view thereof  
FIG. 4 is a left side view thereof;  
FIG. 5 is a top plan view thereof; and,  
FIG. 6 is a bottom plan view thereof.

[51] **LOC (6) Cl.** ..... **10-04**

[52] **U.S. Cl.** ..... **D10/64**

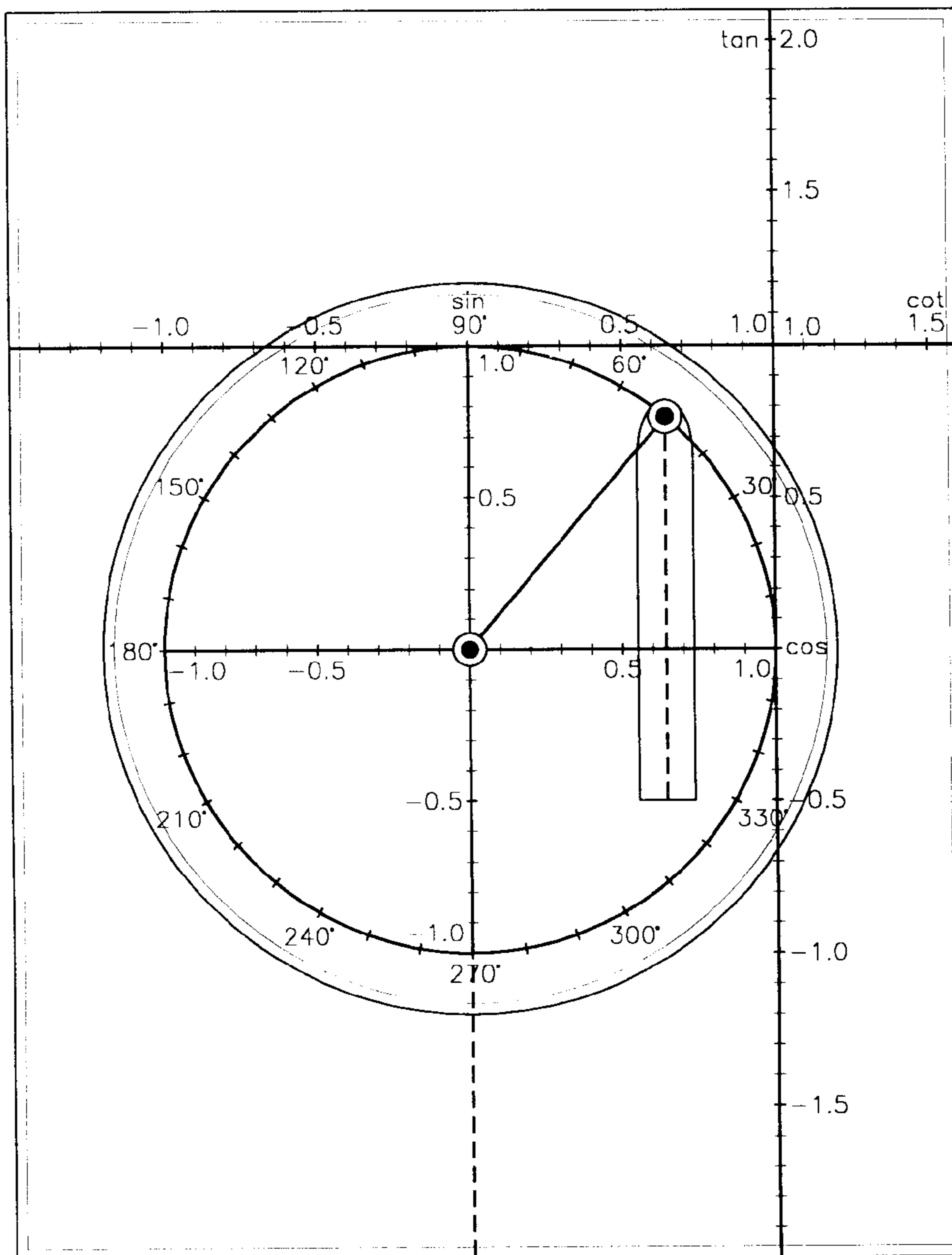
[58] **Field of Search** ..... D10/61, 64; 434/188, 434/200, 211, 214, 215

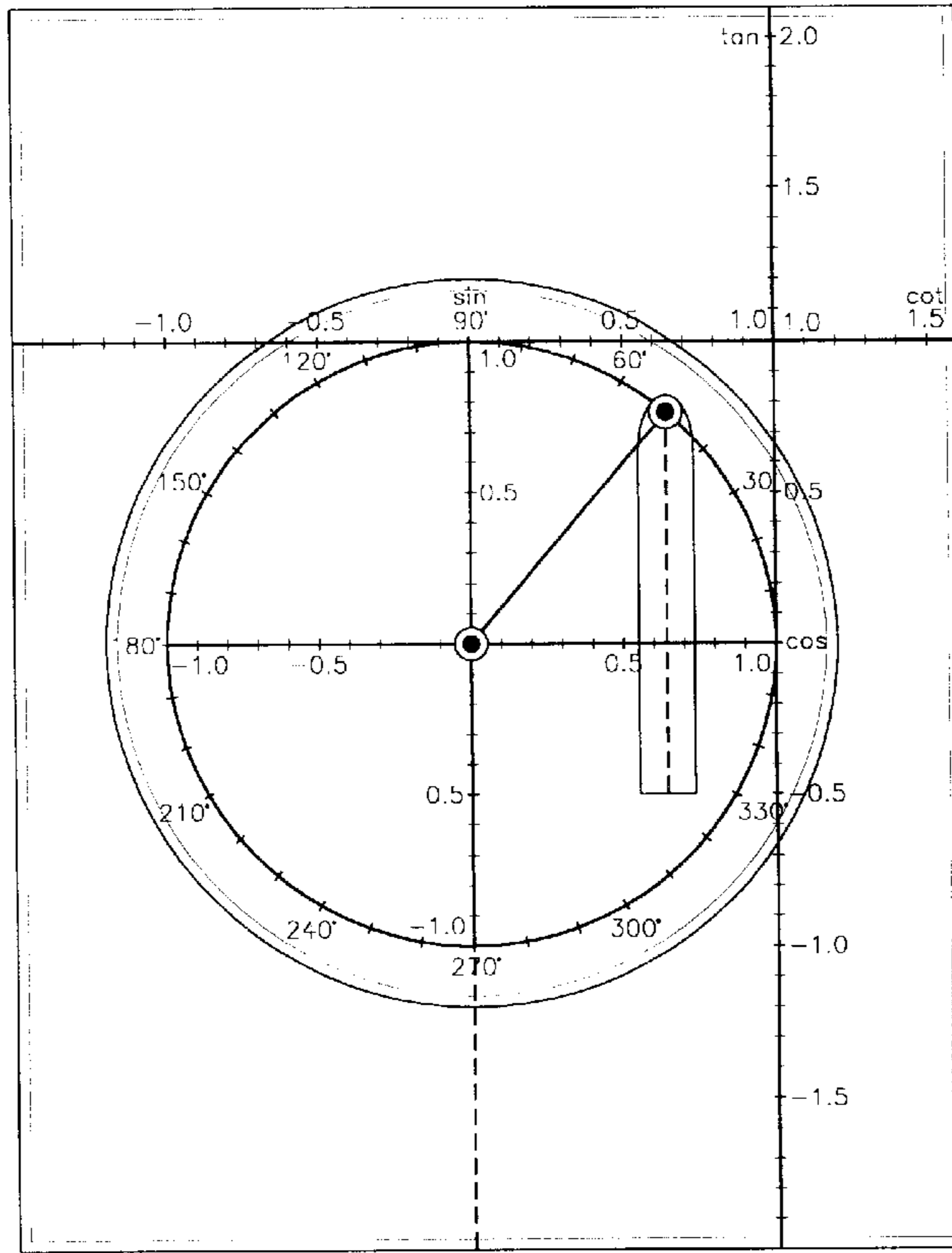
## [56] References Cited

### U.S. PATENT DOCUMENTS

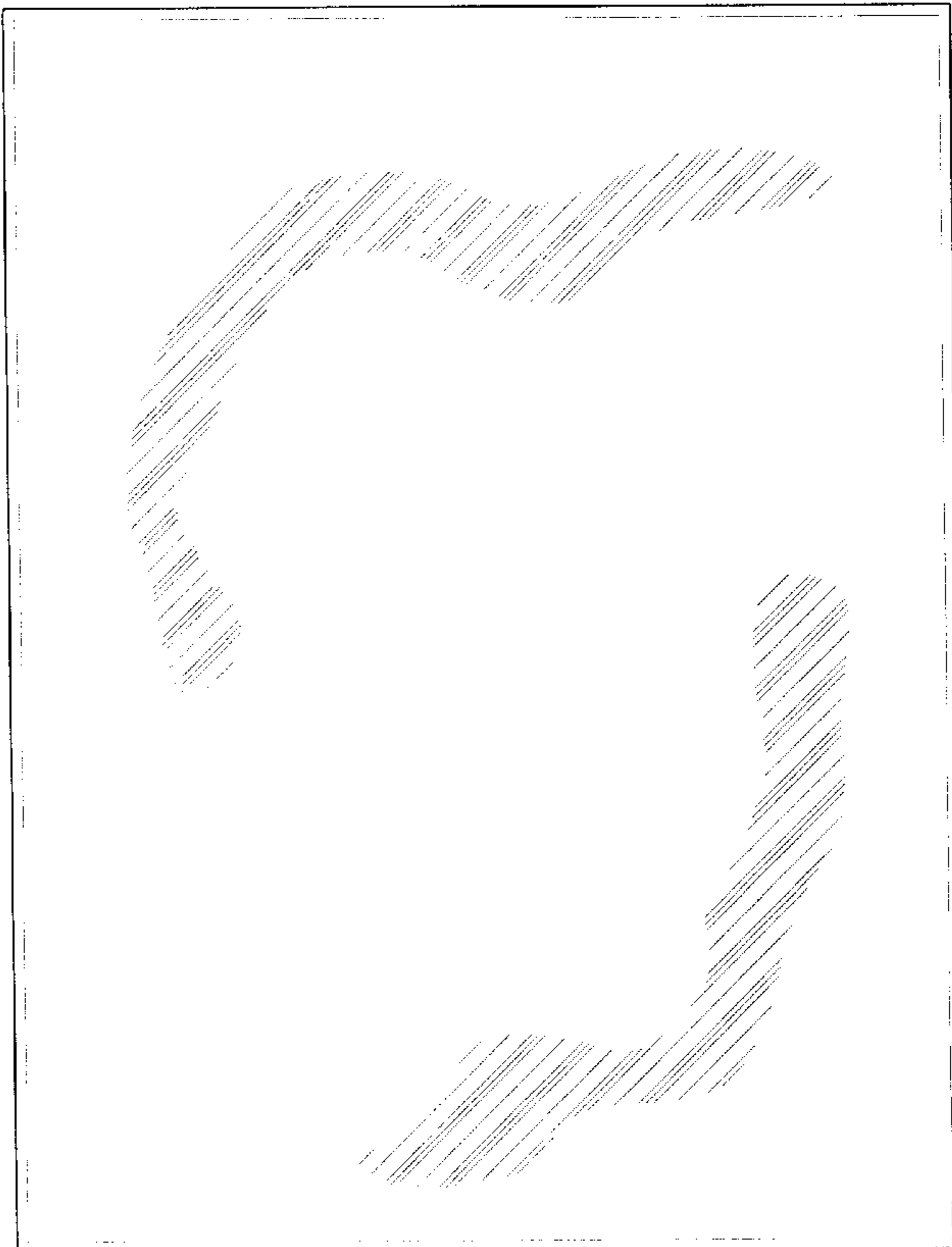
D. 342,685 12/1993 Stokes ..... D10/64

**1 Claim, 2 Drawing Sheets**





*Fig. 1*



*Fig. 2*



*Fig. 3*



*Fig. 4*



*Fig. 5*



*Fig. 6*