



US00D409095S

United States Patent [19]

Alesi et al.

[11] Patent Number: Des. 409,095

[45] Date of Patent: ** May 4, 1999

[54] **ELECTROLUMINESCENT CLOCK/
THERMOMETER HOUSING**

[75] Inventors: **Vincent Alesi**, Bartlett; **Norman L. Matthew**, Highland Park, both of Ill.

[73] Assignee: **Custom Accessories, Inc.**, Niles, Ill.

[**] Term: **14 Years**

[21] Appl. No.: **29/080,882**

[22] Filed: **Dec. 18, 1997**

[51] **LOC (6) Cl.** **10-01**

[52] **U.S. Cl.** **D10/2; D10/1; D10/15;
D10/53**

[58] **Field of Search** **D10/1-40, 52-57,
D10/122-132; 374/141-142, 208; 368/280-282,
276, 277, 28-30, 285, 239-242, 82-84,
41-44**

[56] **References Cited**

U.S. PATENT DOCUMENTS

| | | | | |
|------------|---------|-----------|-------|---------|
| D. 252,801 | 9/1979 | Usuda | | D10/15 |
| D. 337,569 | 7/1993 | Kando | | D14/113 |
| D. 375,688 | 11/1996 | Hagadorn | | D10/15 |
| D. 377,609 | 1/1997 | Marguerie | | D10/15 |
| D. 386,419 | 11/1997 | Coong | | D10/1 |

OTHER PUBLICATIONS

Custom Accessories, Inc.'s 1996-97 Catalog—pp. 14, 15, 16, 17, 38.
Custom Accessories, Inc.'s 1996 New Items Catalog—pp. 27, 29.
Custom Accessories, Inc.'s 1995 New Items Catalog—pp. 10, 12.

Custom Accessories, Inc.'s 1994 Catalog—pp. 11, 12, 13, 22, 23.

Custom Accessories, Inc.'s 1994 New Items Catalog—pp. 7, 8, 9, 12.

Custom Accessories, Inc.'s 1993 New Items Catalog—p. 5.

Custom Accessories, Inc.'s 1991 Catalog—pp. 3, 4, 5, 30, 31.

Warshawsky/Whitney & Co's 1992 Catalog—pp. S-5, 40.

Warshawsky/Whitney & Co.'s 1984 Catalog—pp. 92, 93.

Cal Custom/Hollywood Accessories' 1987 New Product Catalog—pp. 2, 3.

Hollywood Accessories' 1984 New Products Catalog—pp. 18, 19, 21.

Hollywood Accessories' 1979 New Products Catalog—pp. 40, 41.

Primary Examiner—Nelson C. Holtje
Attorney, Agent, or Firm—Factor and Shaftal

[57] **CLAIM**

The ornamental design for a electroluminescent clock/thermometer housing, as described and shown.

DESCRIPTION

FIG. 1 is a front perspective view of the electroluminescent clock/thermometer housing showing our new ornamental design thereof;

FIG. 2 is a front plan view thereof;

FIG. 3 is a back plan view thereof;

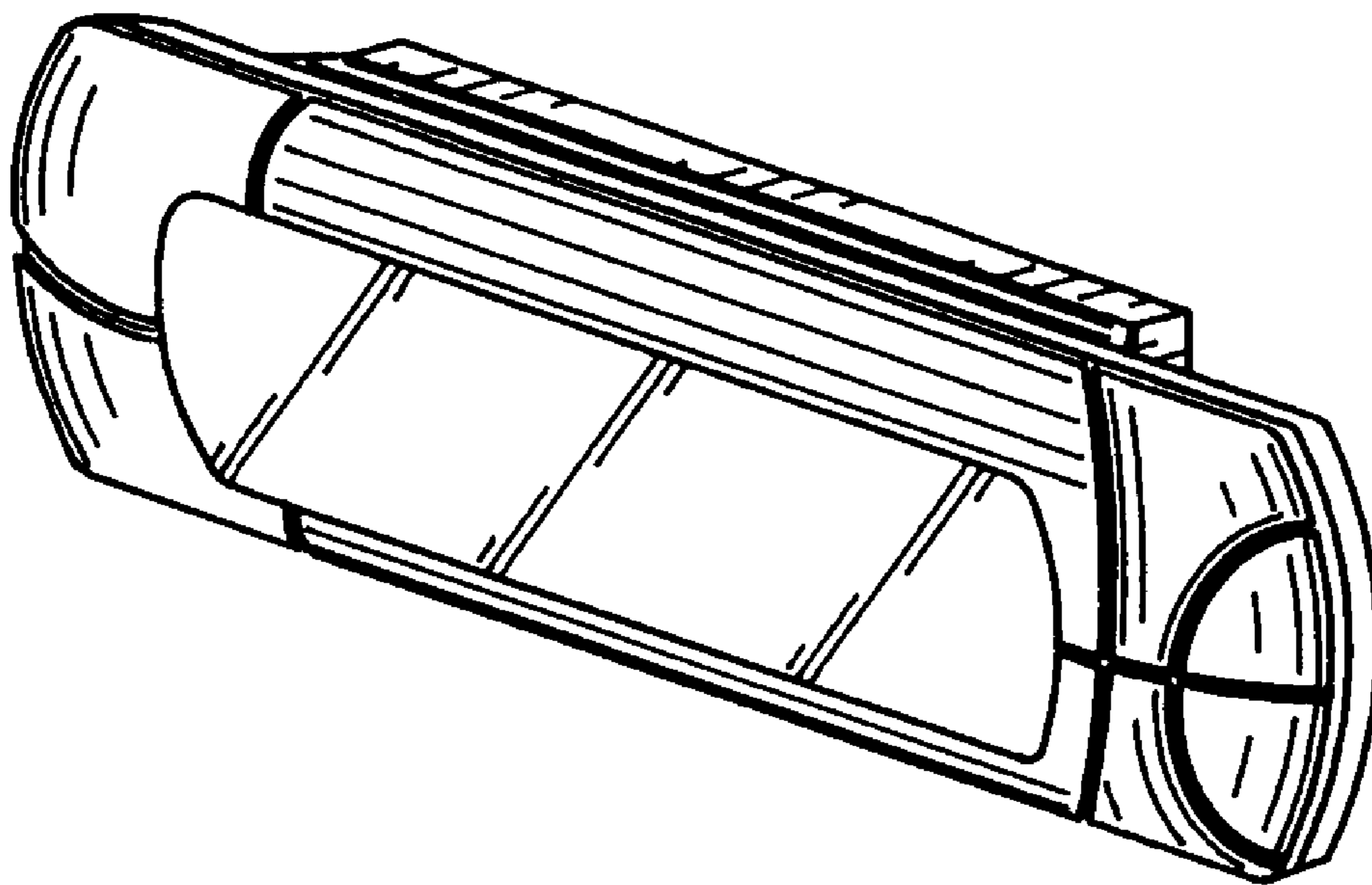
FIG. 4 is a top plan view thereof;

FIG. 5 is a bottom plan thereof;

FIG. 6 is a right plan view thereof; and,

FIG. 7 is a left plan view thereof.

1 Claim, 1 Drawing Sheet



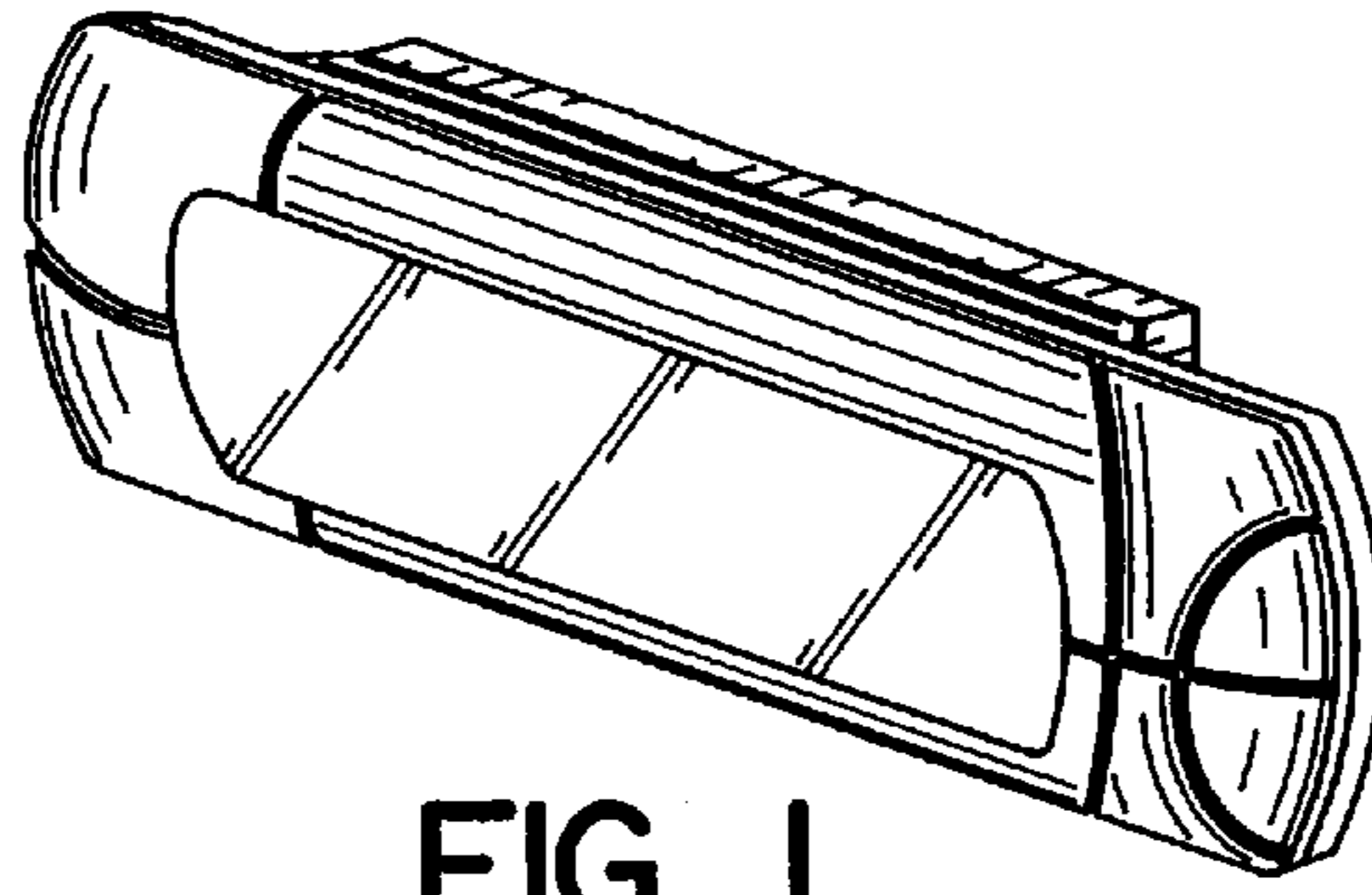


FIG. 1

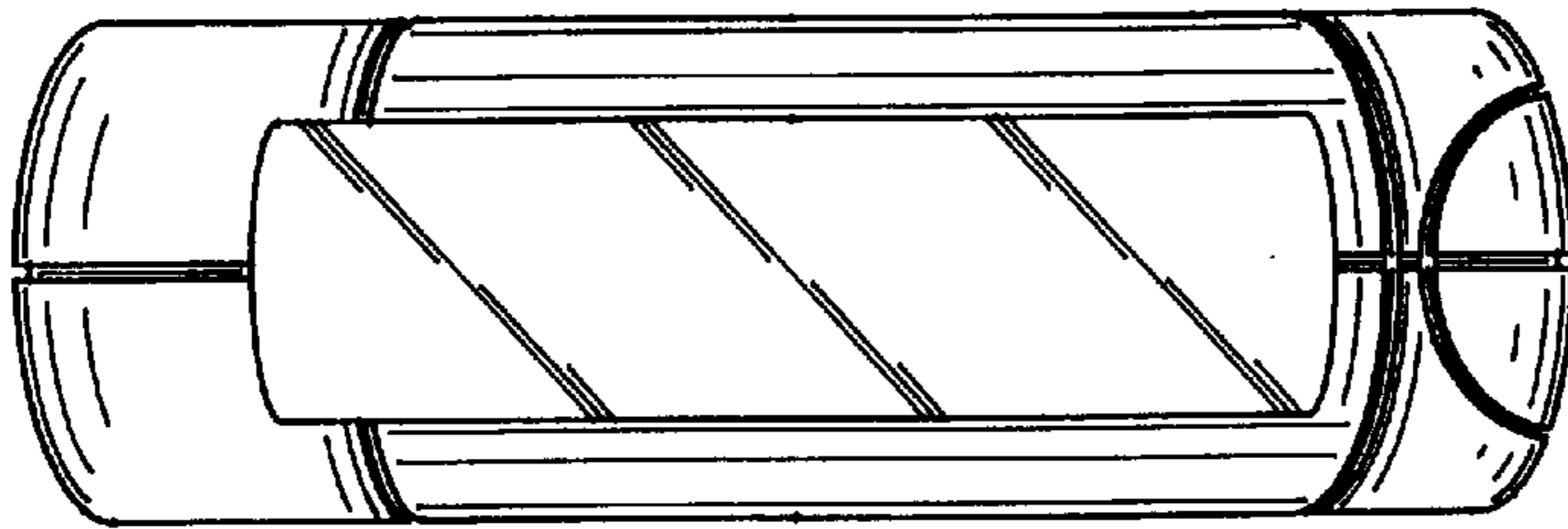


FIG. 2

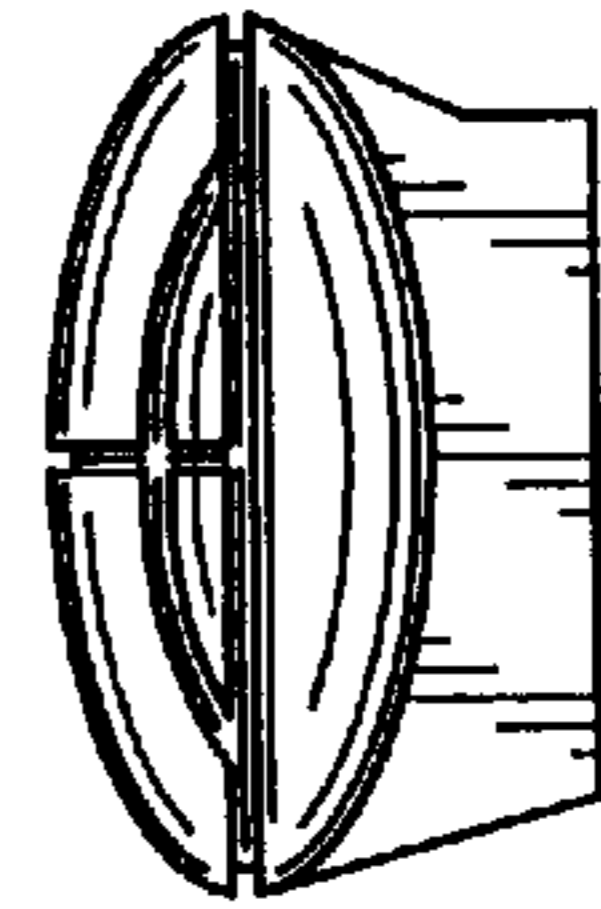


FIG. 6

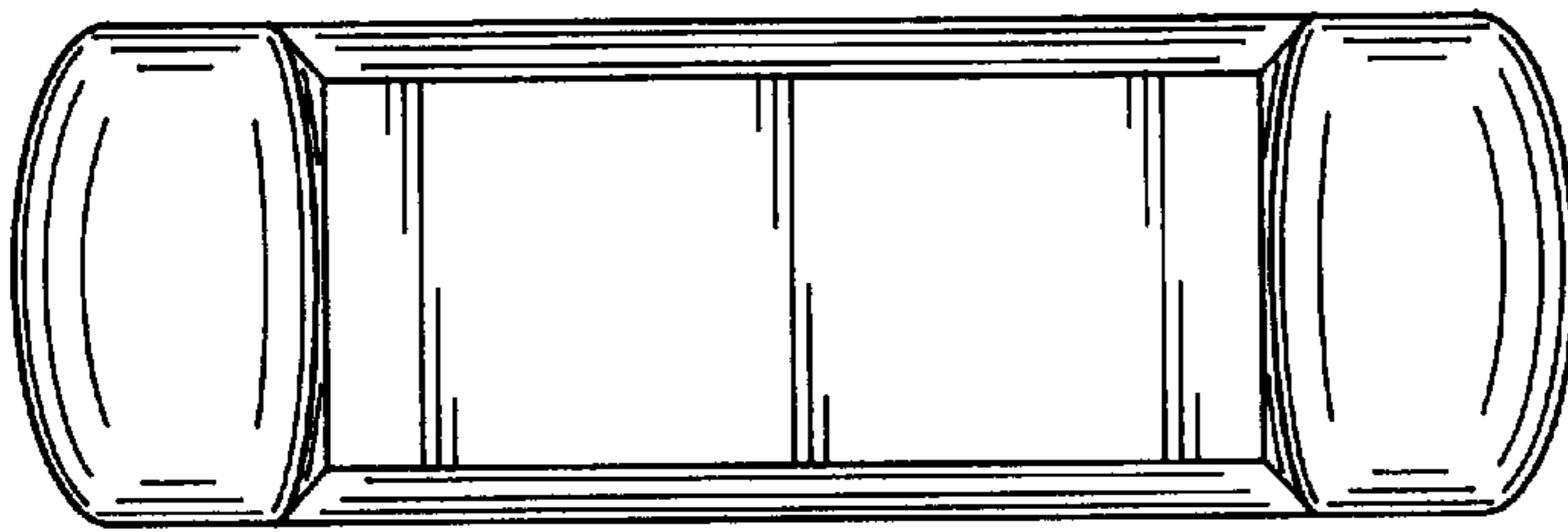


FIG. 3

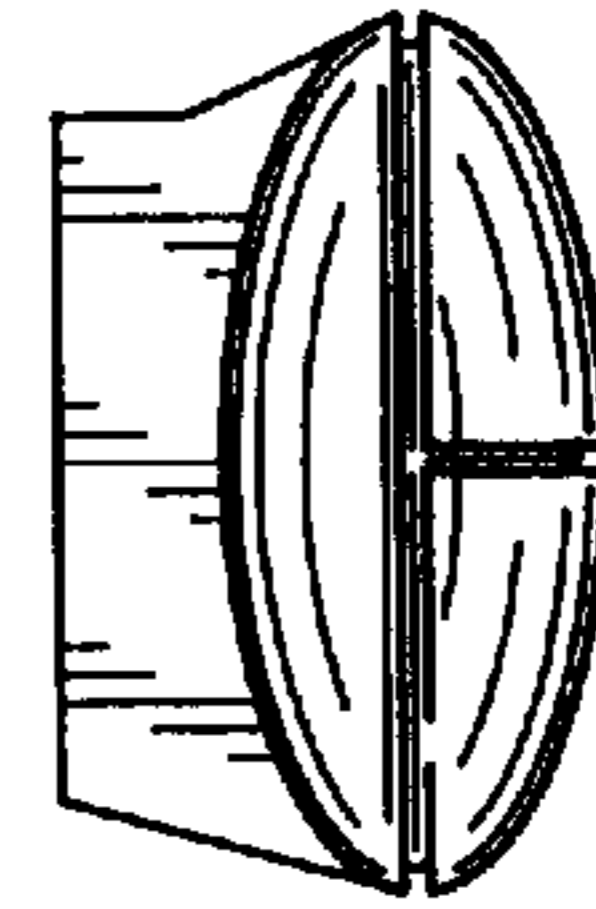


FIG. 7

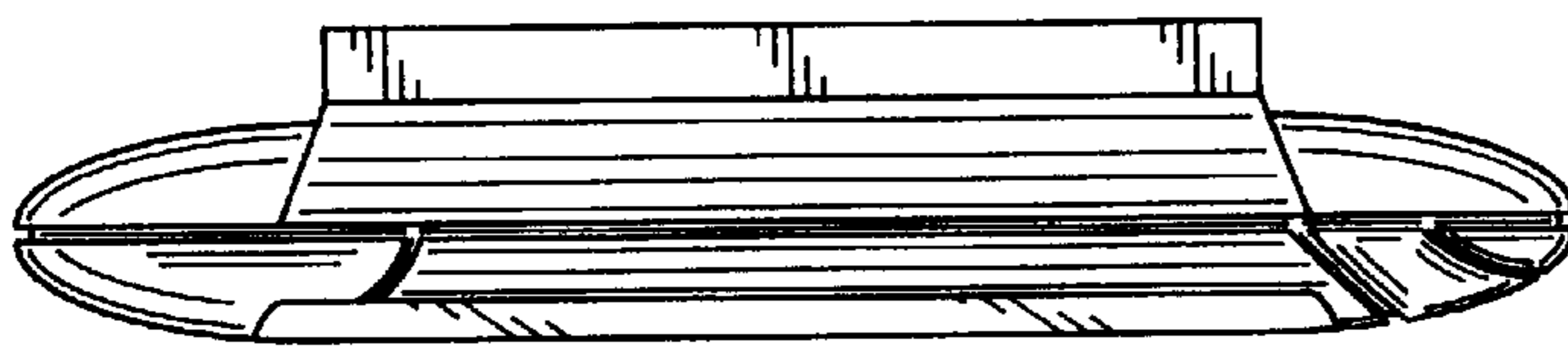


FIG. 4

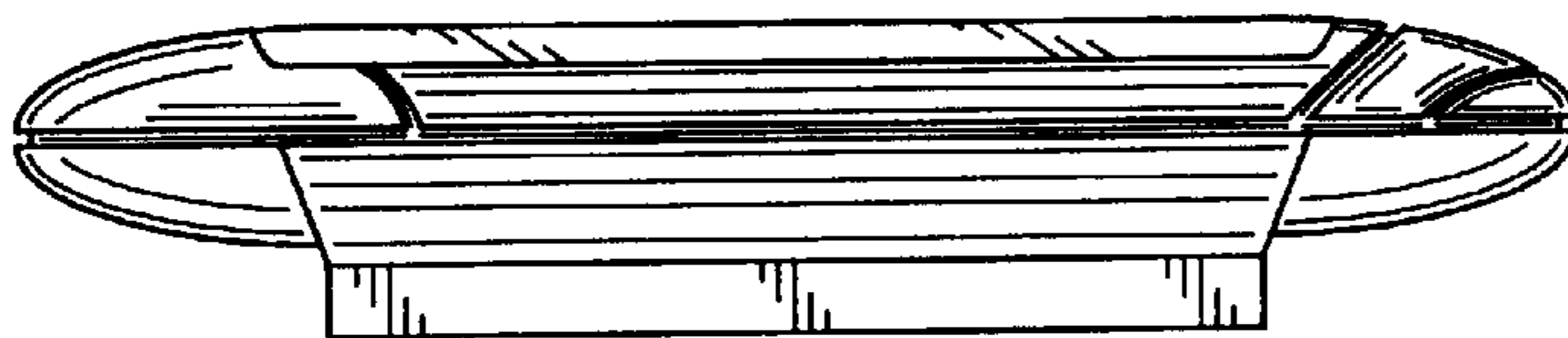


FIG. 5