



US00D409087S

United States Patent [19] Casiello

[11] **Patent Number: Des. 409,087**
[45] **Date of Patent: ** May 4, 1999**

[54] **COMBINED CAP AND RAZOR HOLDER**

[76] Inventor: **Nicholas F. Casiello**, 1449 Briergate Dr., Naperville, Ill. 60563

[**] Term: **14 Years**

[21] Appl. No.: **29/083,330**

[22] Filed: **Feb. 6, 1998**

[51] **LOC (6) Cl. 09-07**

[52] **U.S. Cl. D9/436; D9/448**

[58] **Field of Search** D9/434, 435, 436, D9/443, 448, 449, 300; D6/526; D28/45, 47, 73, 76, 77; 24/7, 17 B; 30/41, 537, 538, 541; 206/15.2; 215/228, 390; 220/735; 222/192, 402.13; 248/213.2, 682; D7/63-633

[56] **References Cited**

U.S. PATENT DOCUMENTS

D. 181,768	12/1957	Wegmann	D9/448
D. 207,809	5/1967	Flury	D9/448
D. 252,133	6/1979	Fitzgerald et al.	D9/436
D. 315,306	3/1991	Reister	D9/434
D. 339,739	9/1993	Gray	.	
D. 343,789	2/1994	Gray	.	
D. 349,845	8/1994	Gray	.	
D. 349,846	8/1994	Gray	D9/300
D. 349,852	8/1994	Gray	D9/448
1,423,043	7/1922	Steinheiser	248/682
3,157,322	11/1964	Bernhardt	D9/448 X

3,272,323	9/1966	Ewry	215/390 X
4,232,785	11/1980	Lucas	215/390 X
4,644,645	2/1987	Audet	.	
4,646,999	3/1987	Clark	248/682
4,656,738	4/1987	Corah	30/41
4,858,314	8/1989	Cunningham	.	
4,974,319	12/1990	Maguire, Jr. et al.	.	
5,232,127	8/1993	Trotta et al.	222/402.13 X

OTHER PUBLICATIONS

Photographs of Gillette shaving cream can believed to be in prior art, date unknown.

Primary Examiner—Jeffrey Asch
Assistant Examiner—Cathron B. Matta
Attorney, Agent, or Firm—Fitch, Even, Tabin & Flannery

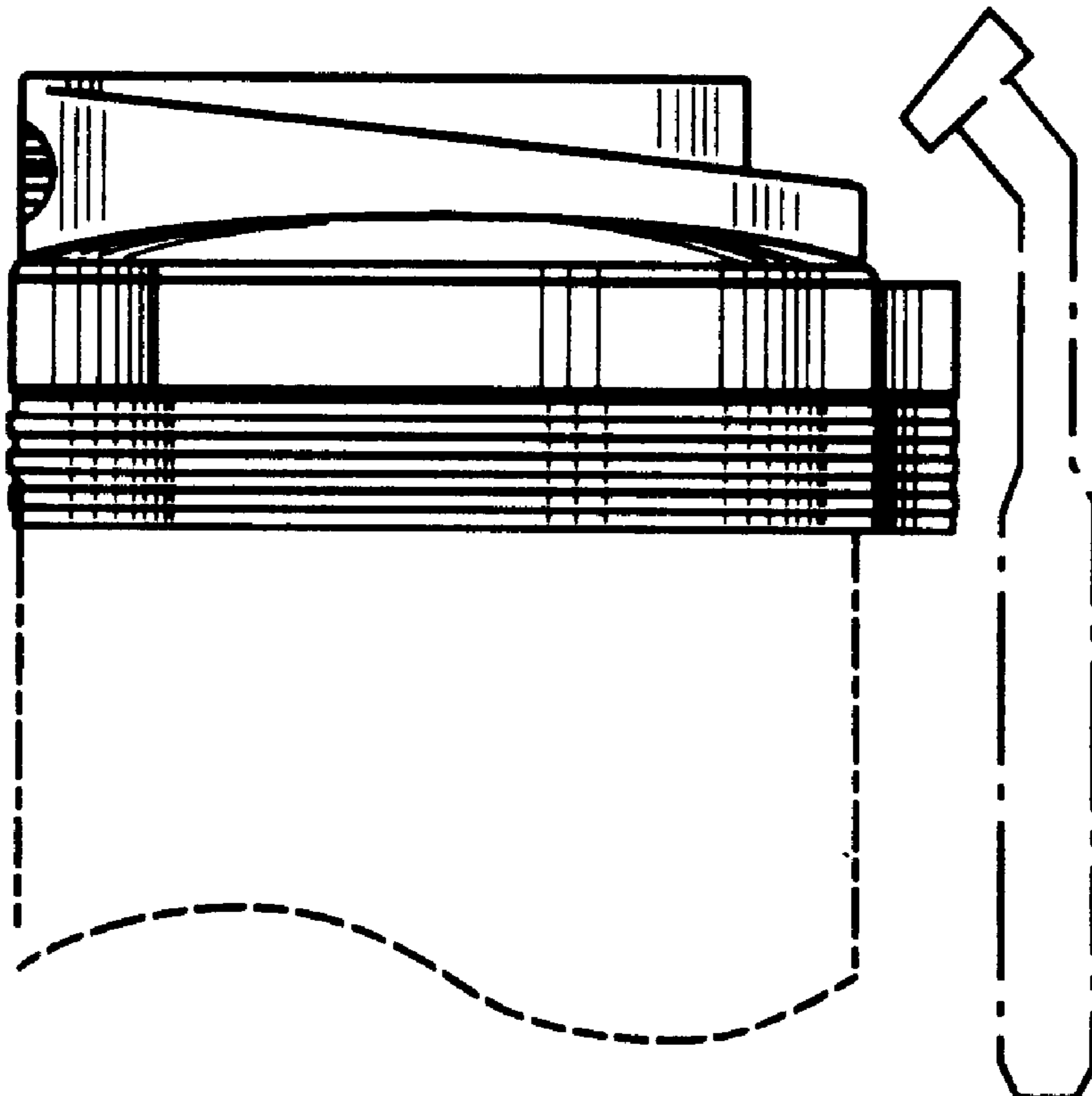
[57] **CLAIM**

The ornamental design for a combined cap and razor holder, as shown and described.

DESCRIPTION

FIG. 1 is a front elevational view of a combined cap and razor holder showing my new design; FIG. 2 is a top plan view thereof; FIG. 3 is a rear elevational view thereof; and, FIG. 4 is a side elevational view thereof, the opposite side elevational view being a mirror image thereof. The structure shown in broken lines is for illustrative purposes, and forms no part of the claimed design.

1 Claim, 1 Drawing Sheet



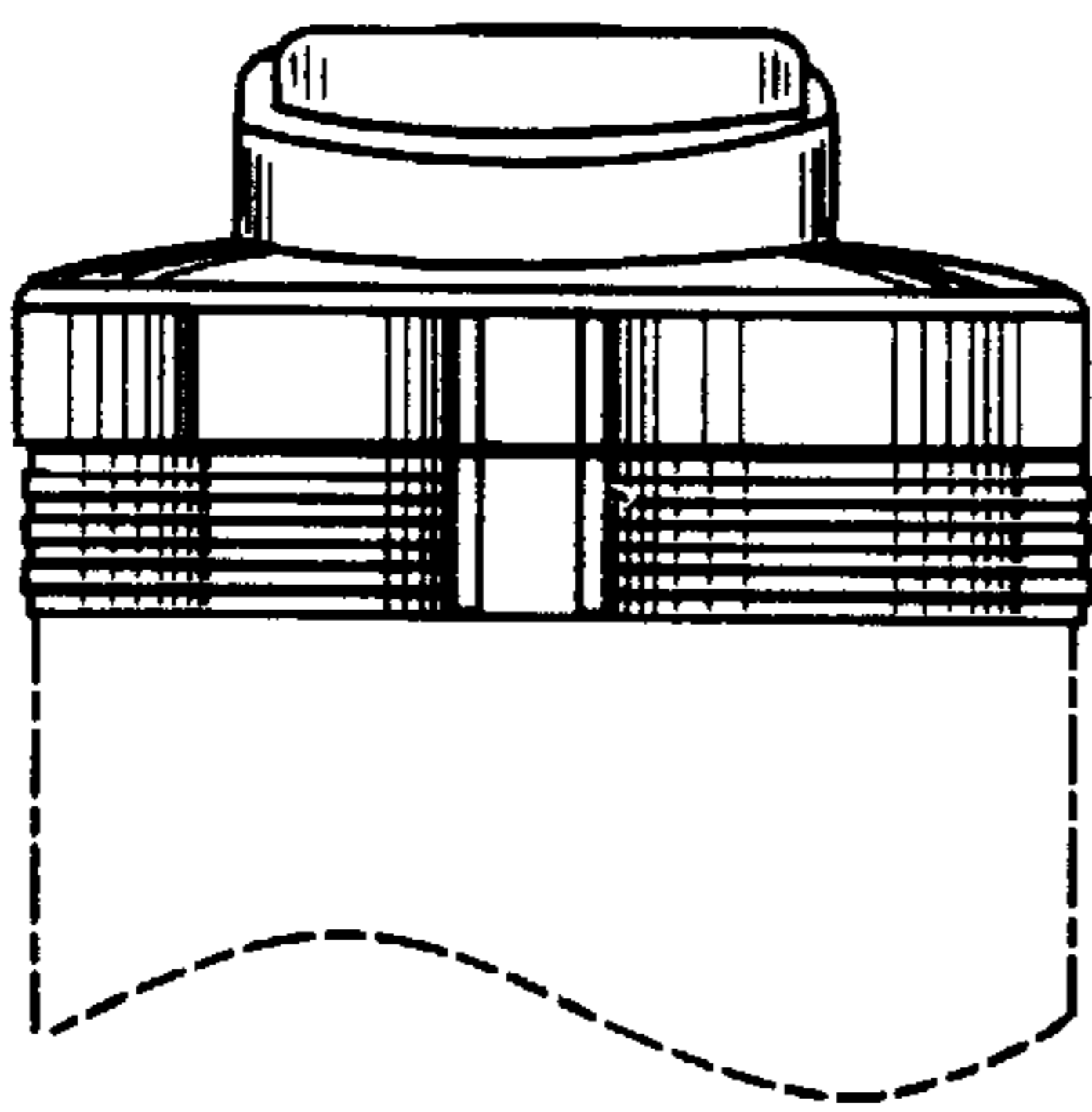


Fig. 1

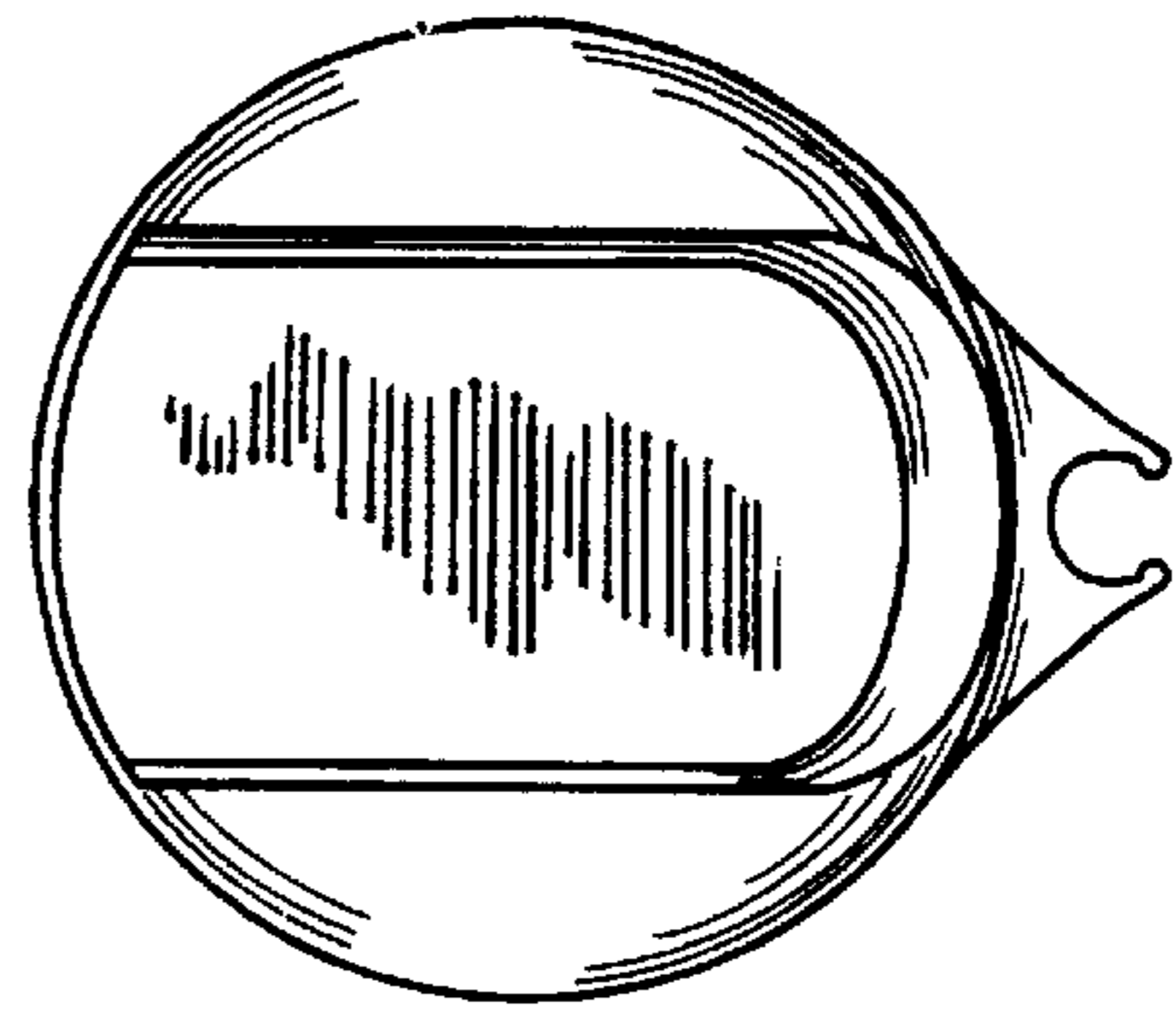


Fig. 2

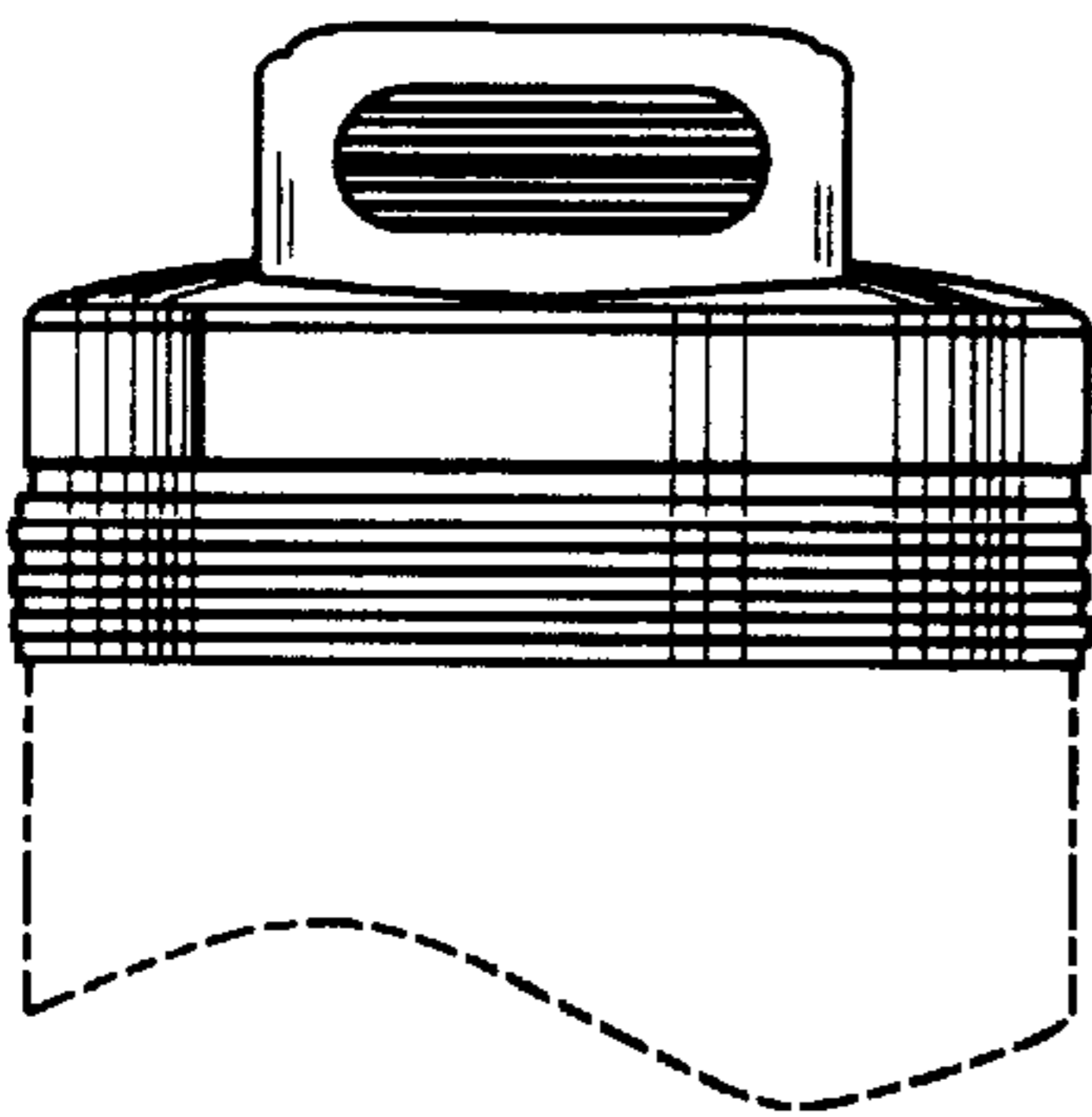


Fig. 3

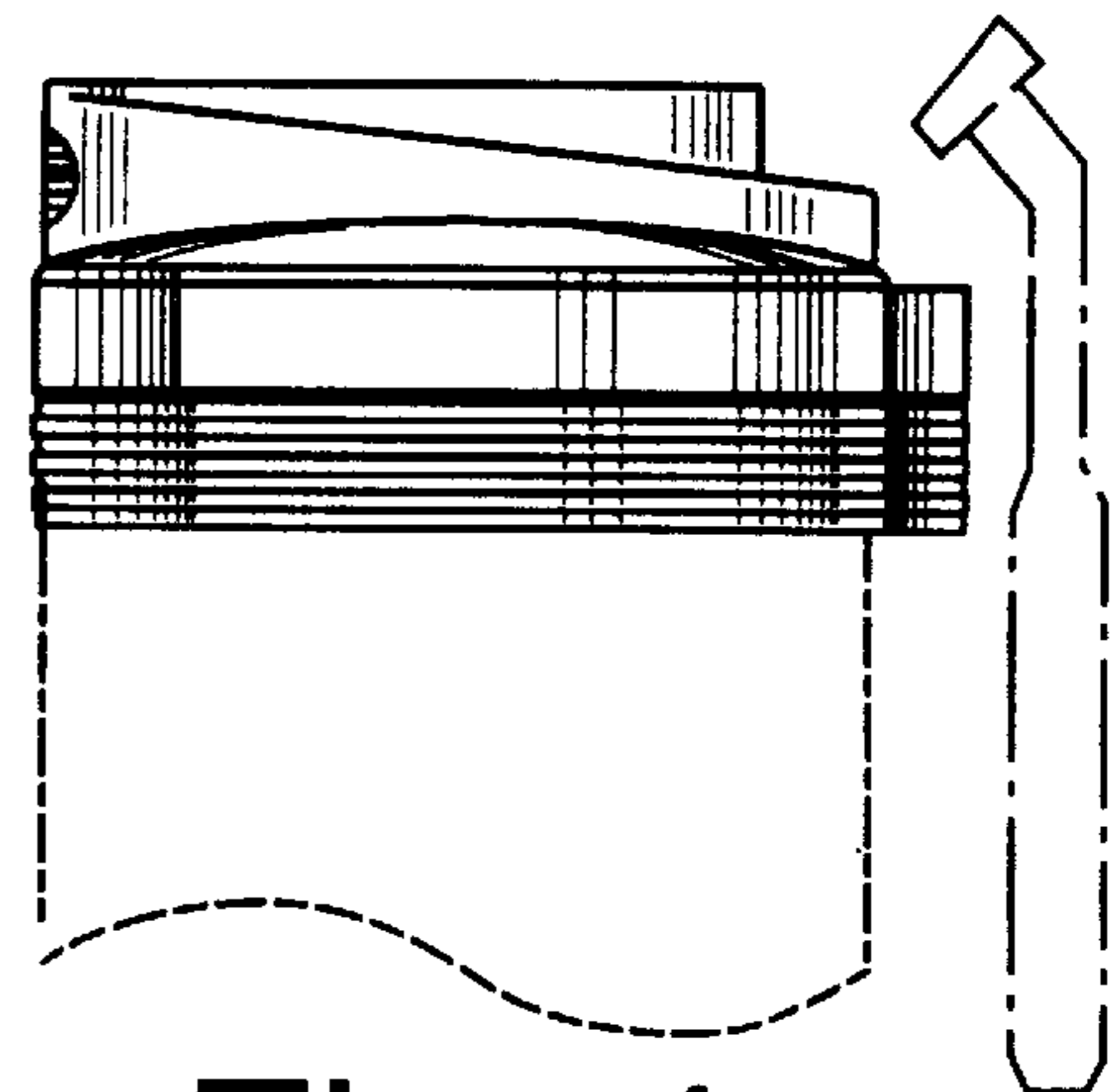


Fig. 4