



US00D409086S

# United States Patent [19]

[11] **Patent Number: Des. 409,086**

**Brown et al.**

[45] **Date of Patent: \*\* May 4, 1999**

[54] **PACKAGE**

[75] Inventors: **Timothy Oliver Michael Brown,**  
**Windlesham; Sally Elizabeth Haines,**  
**Twickenham, both of United Kingdom**

[73] Assignee: **The Procter & Gamble Company,**  
**Cincinnati, Ohio**

[\*\*] Term: **14 Years**

[21] Appl. No.: **29/084,367**

[22] Filed: **Mar. 2, 1998**

[51] **LOC (6) Cl. .... 09-07**

[52] **U.S. Cl. .... D9/428**

[58] **Field of Search** ..... D9/428, 414, 424,  
D9/503, 504, 337; 206/581, 6.1, 5.1, 303,  
566, 823, 459.5; 220/8, 4.26, 4.27, 253,  
288, 376, 380; D28/82; 229/4.5

[56] **References Cited**

**U.S. PATENT DOCUMENTS**

D. 107,816	1/1938	Barnhart	.....	D9/428
D. 120,167	4/1940	Deskey	.....	D9/504
D. 303,584	9/1989	Bakic	.....	D9/504 X

D. 350,837	9/1994	Kirby	.....	D28/82
D. 354,680	1/1995	Chen	.....	D9/428
3,244,313	4/1966	Miles	.....	D9/504 X
3,499,525	3/1970	Kantor	.....	220/339 X
4,966,319	10/1990	Fleming	.....	206/459.5 X

**OTHER PUBLICATIONS**

Packaging Cat, p. 76, Item 99, 1959.  
Packaging Cat, p. 158, Items 481, 484, 1959.

*Primary Examiner*—Prabhakar G. Deshmukh  
*Attorney, Agent, or Firm*—Rodney M. Young

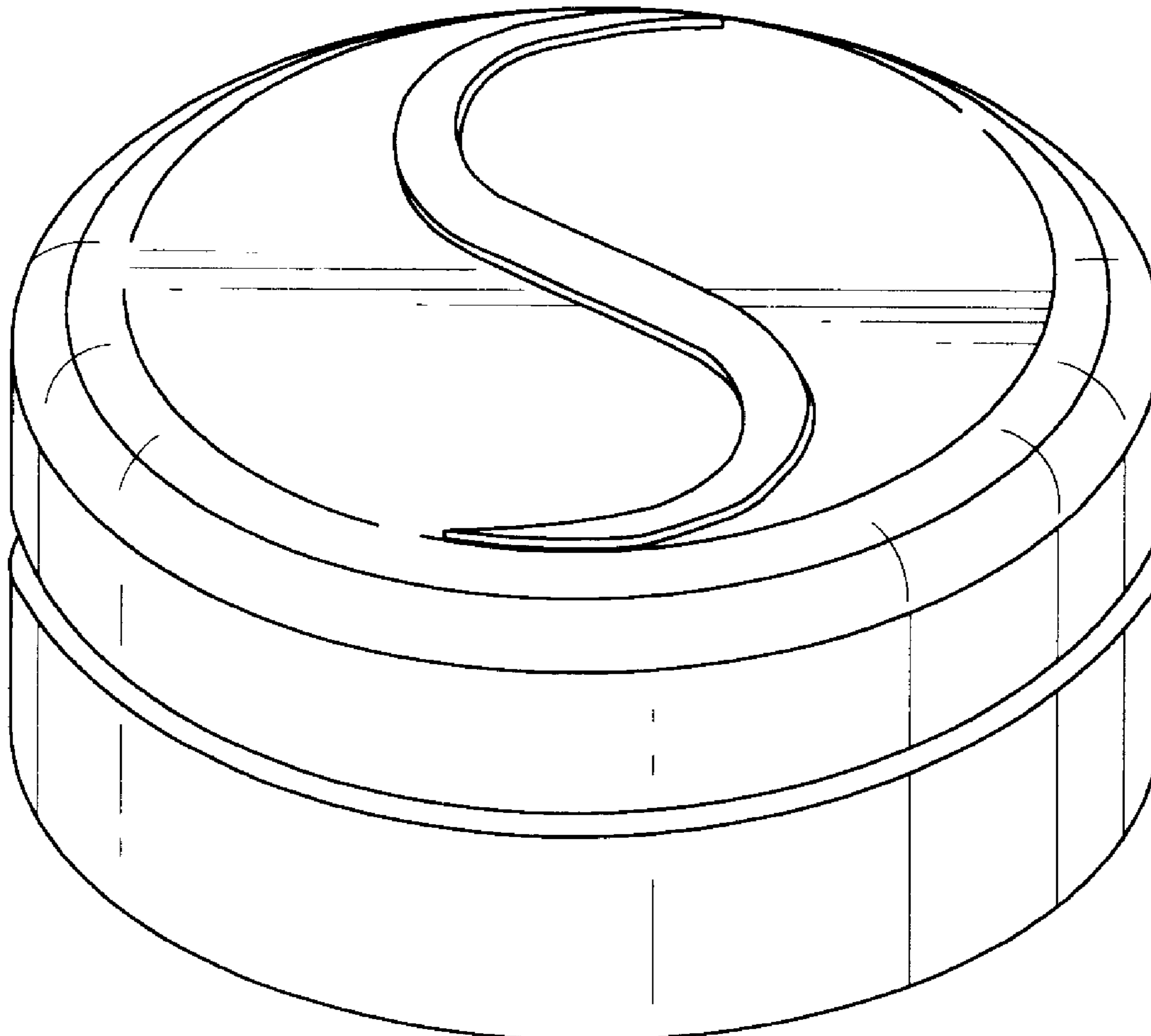
[57] **CLAIM**

The ornamental design for a package, as shown and described.

**DESCRIPTION**

FIG. 1 shows the perspective view of the package;  
FIG. 2 shows the top plan view of the package;  
FIG. 3 shows the bottom plan view of the package;  
FIG. 4 shows the front elevational view with the opposite side being the same; and,  
FIG. 5 shows the right side elevational view with the opposite side being the same.

**1 Claim, 1 Drawing Sheet**



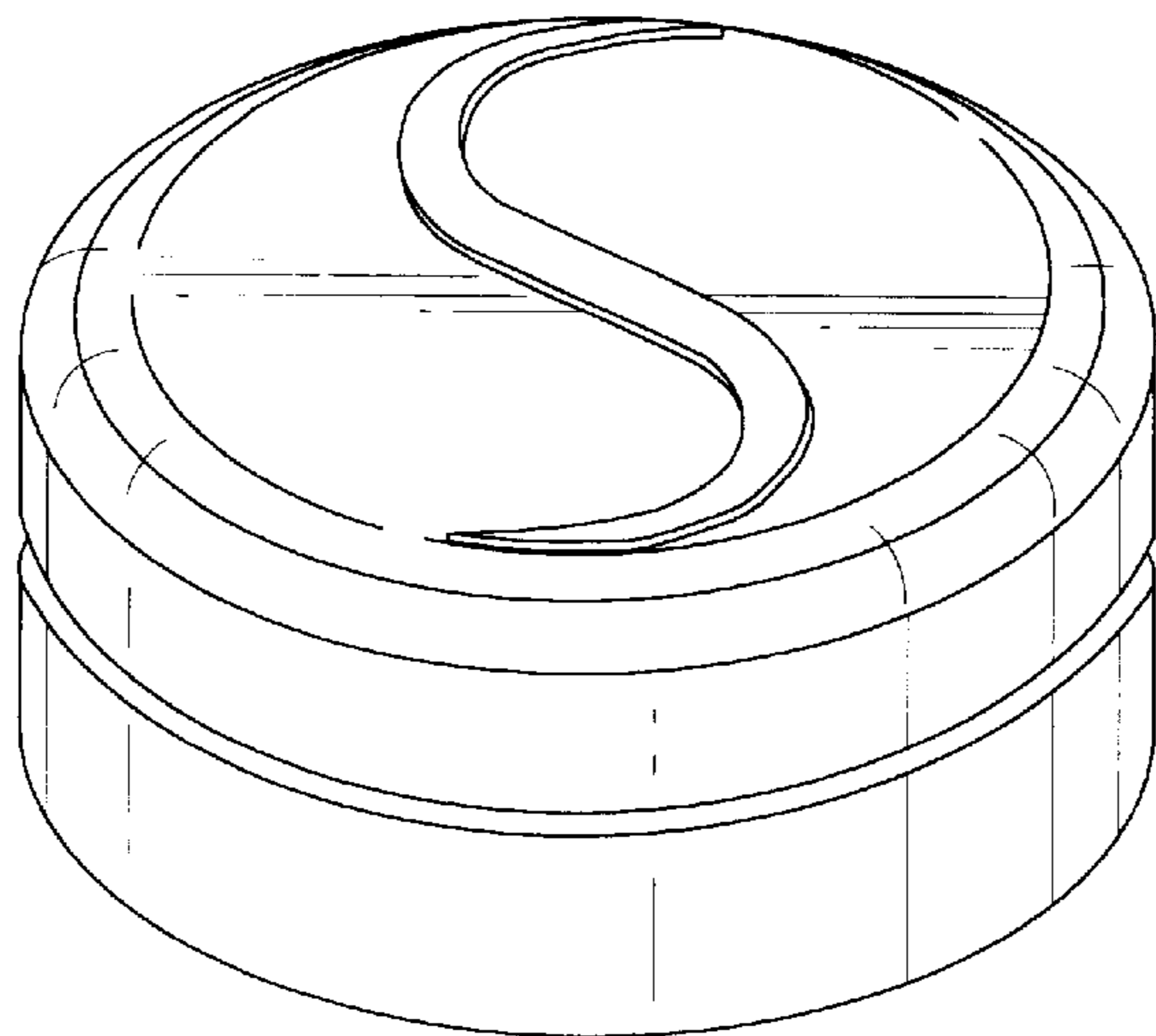


FIG. 1

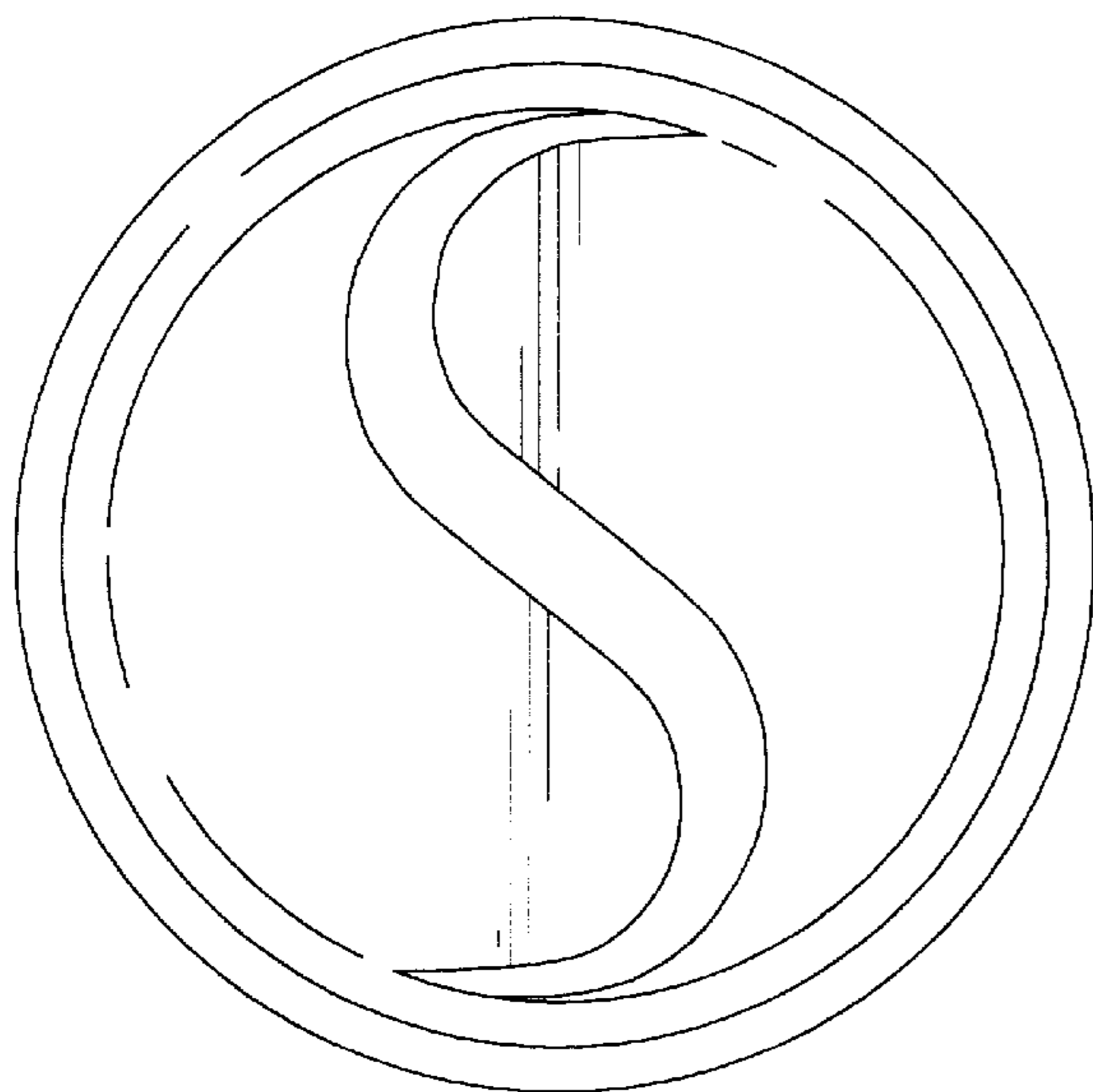


FIG. 2

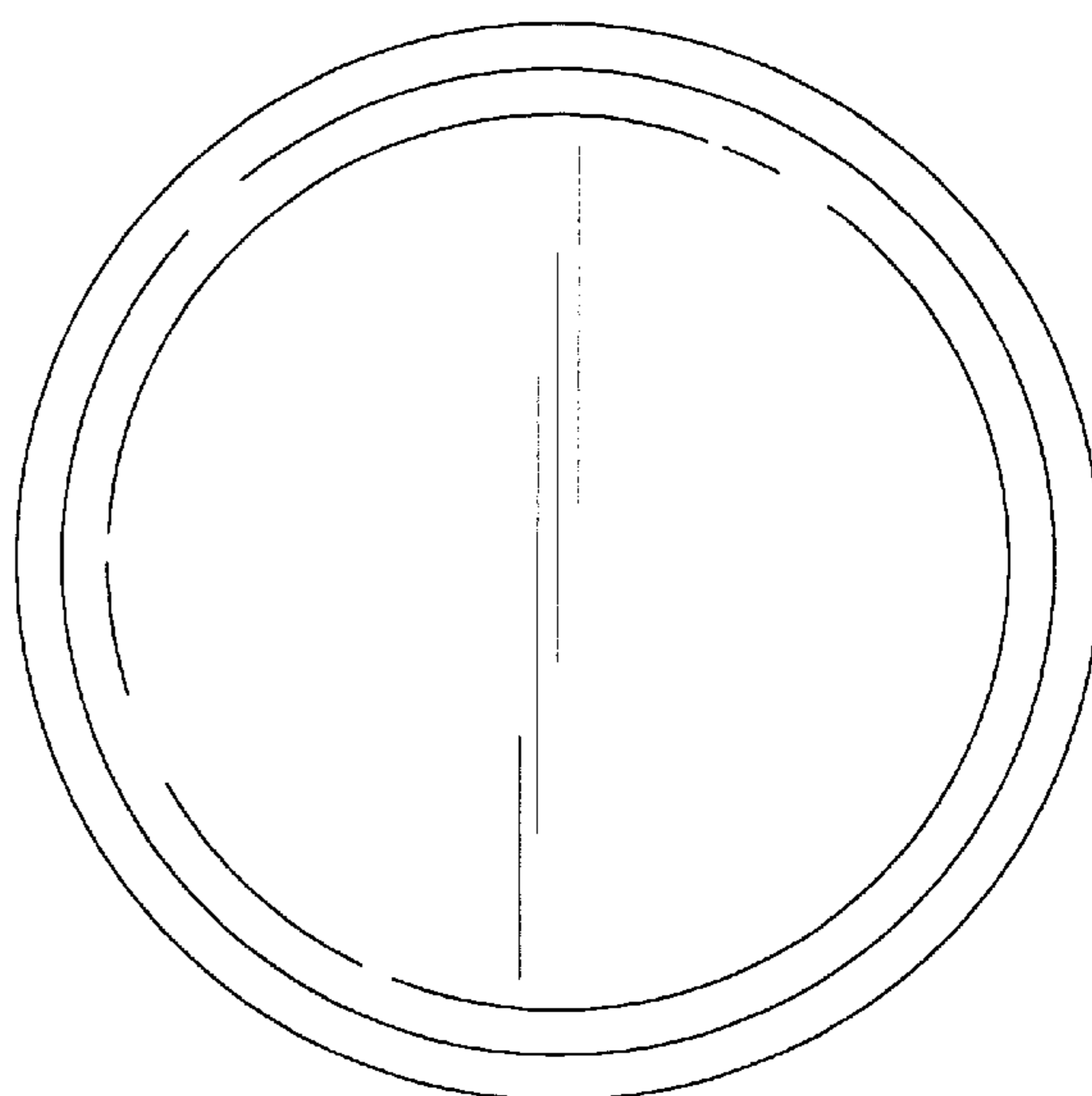


FIG. 3

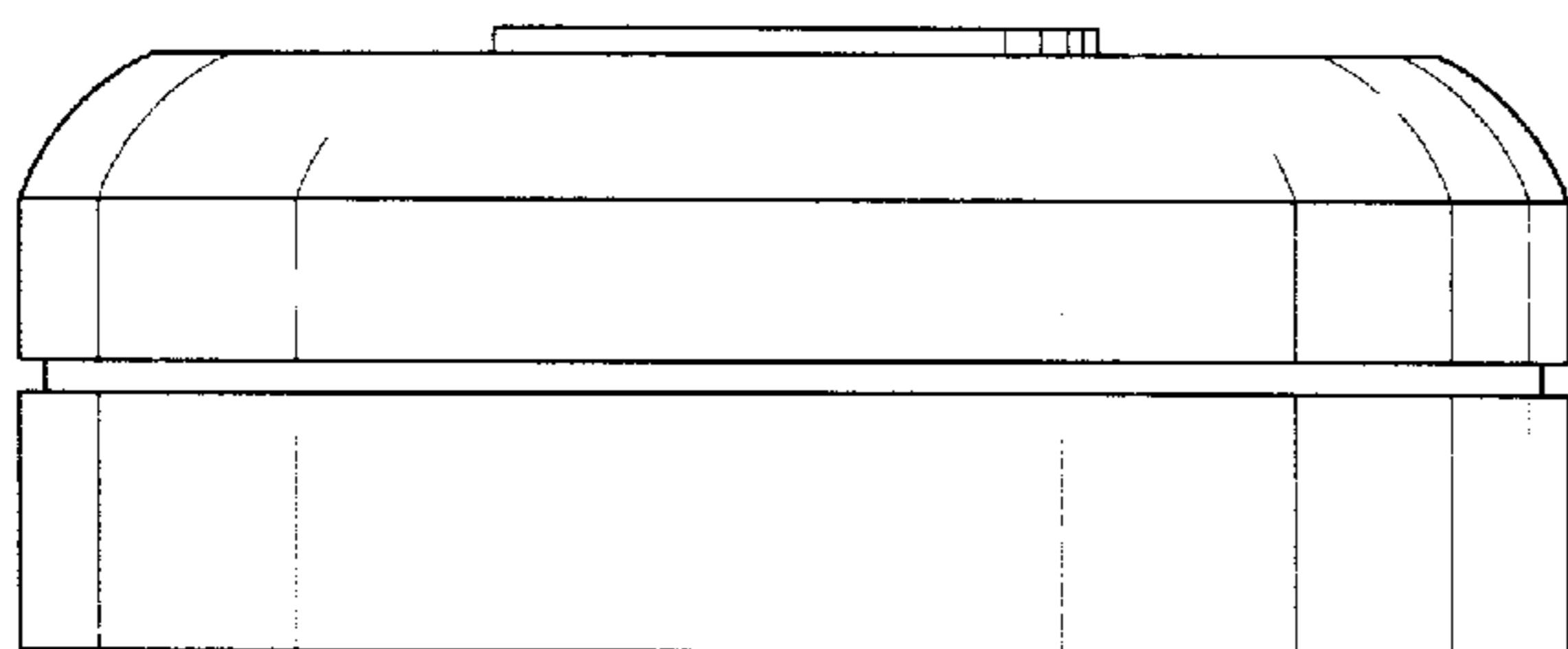


FIG. 4

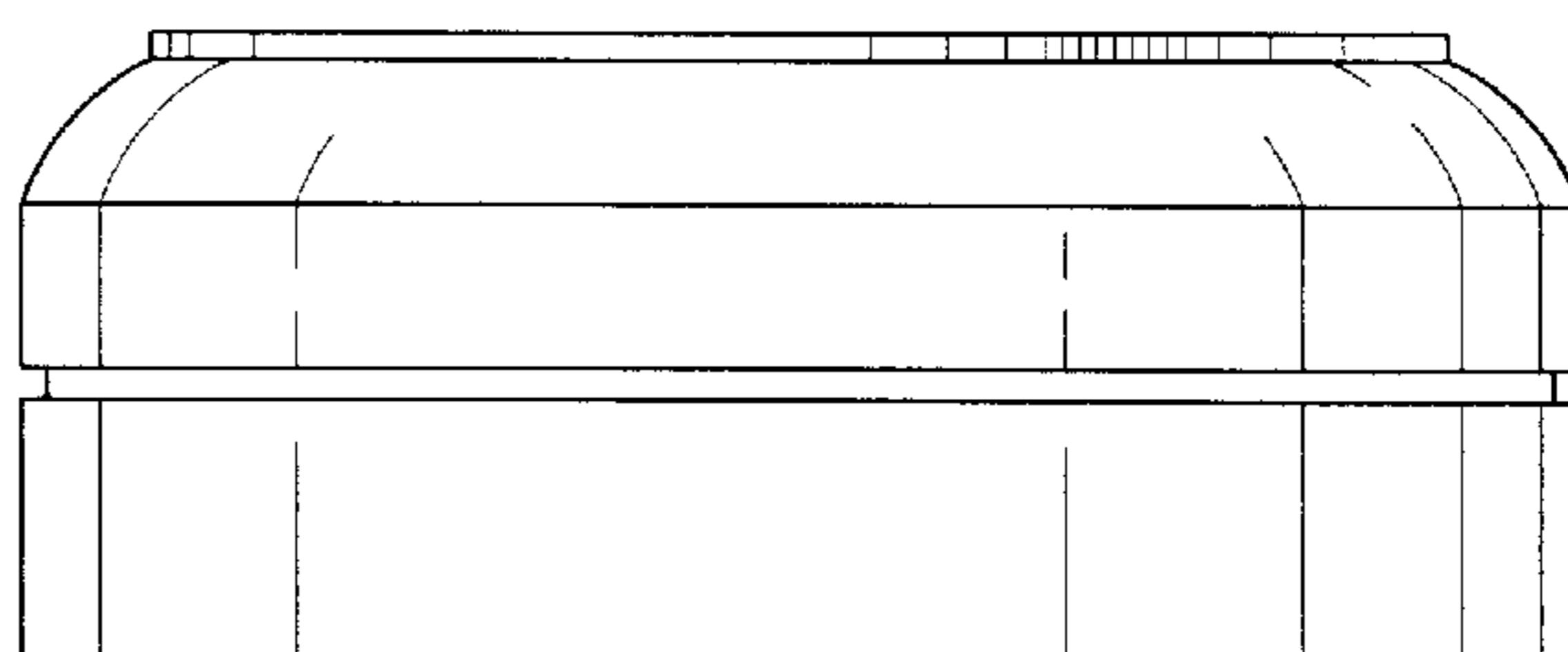


FIG. 5