



US00D409085S

# United States Patent [19]

Wyslotsky et al.

[11] Patent Number: **Des. 409,085**

[45] Date of Patent: **\*\* May 4, 1999**

[54] **FOOD PACKAGE**

[75] Inventors: **Ihor Wyslotsky; Oleg Tsoi**, both of Chicago, Ill.

[73] Assignee: **Redex Packaging Corp.**, Schaumburg, Ill.

[\*\*] Term: **14 Years**

[21] Appl. No.: **29/071,237**

[22] Filed: **May 23, 1997**

[51] **LOC (6) Cl.** ..... **09-07**

[52] **U.S. Cl.** ..... **D9/425; D9/426; D9/423**

[58] **Field of Search** ..... D9/420-426, 432, D9/418, 414, 337; 229/406, 902, 904, 906, 4.5, 915; 220/4.21, 4.22, 4.23, 4.24, 4.27, 556, 557; 206/508; D7/601, 602, 550

[56] **References Cited**

**U.S. PATENT DOCUMENTS**

- D. 339,744 9/1993 Seppala ..... D9/425
- D. 353,327 12/1994 Castner et al. .... D9/341 X
- D. 363,879 11/1995 Krupa et al. .... D9/423
- D. 375,259 11/1996 Whitehead ..... D9/420 X

- 4,079,880 3/1978 Edwards ..... 229/406 X
- 4,660,716 4/1987 McMahon et al. .... 220/556 X
- 4,974,738 12/1990 Kidd et al. .... 229/406 X
- 5,046,659 9/1991 Warburton ..... 220/4.22
- 5,456,379 10/1995 Krupa et al. .... 206/508 X

**OTHER PUBLICATIONS**

Rubbermaid Inc., p. 2, 1988.  
PCA Speciality Group Boxes, Mar. 1995.

*Primary Examiner*—Prabhakar G. Deshmukh  
*Attorney, Agent, or Firm*—Hill & Simpson

[57] **CLAIM**

The ornamental design for a “food package”, as shown.

**DESCRIPTION**

FIG. 1 is a perspective view thereof;  
FIG. 2 is a top view thereof;  
FIG. 3 is a bottom view thereof;  
FIG. 4 is a right side view thereof;  
FIG. 5 is a left side view thereof;  
FIG. 6 is a front view thereof; and,  
FIG. 7 is a back view of the present design.

**1 Claim, 4 Drawing Sheets**

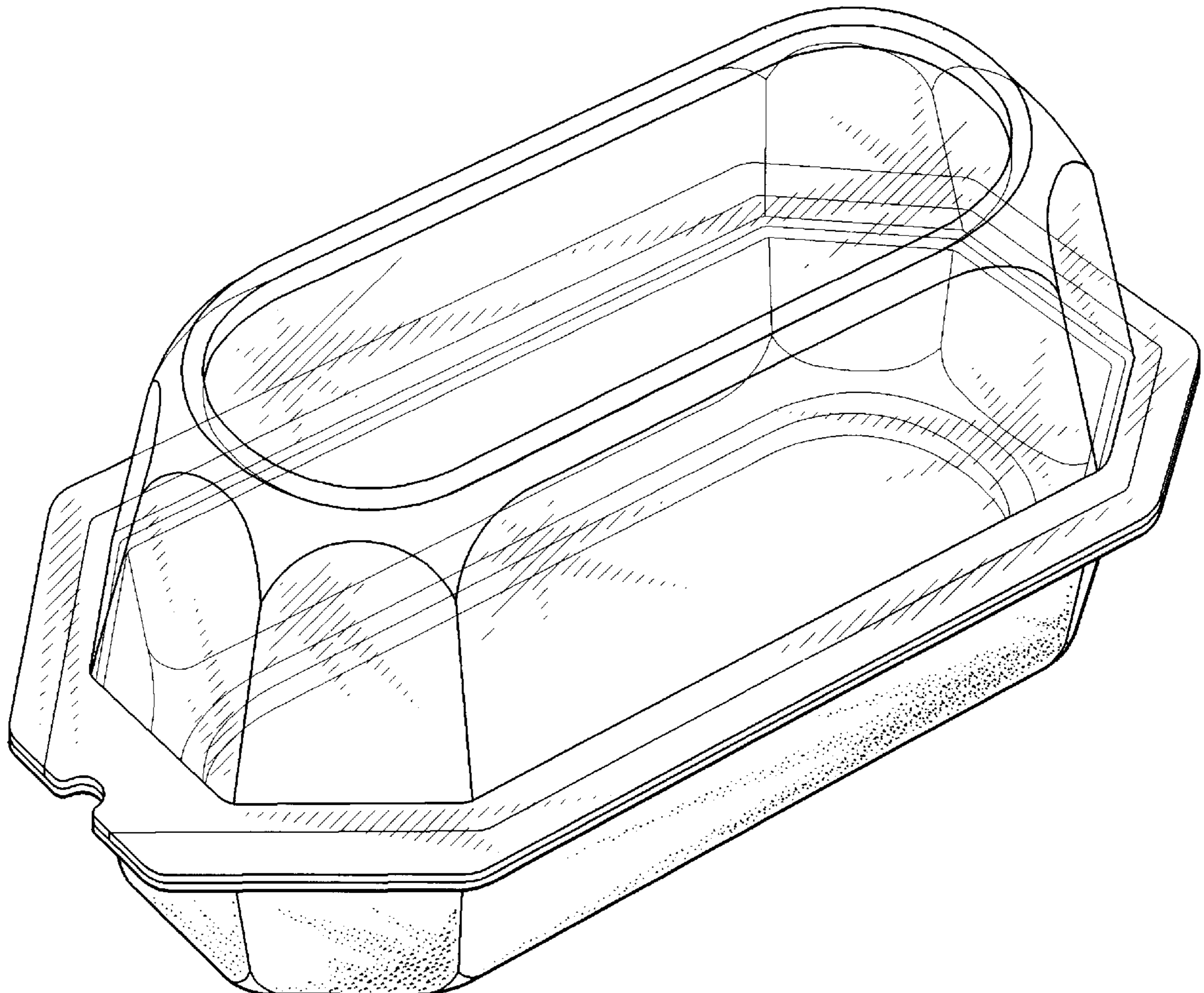


FIG. 1

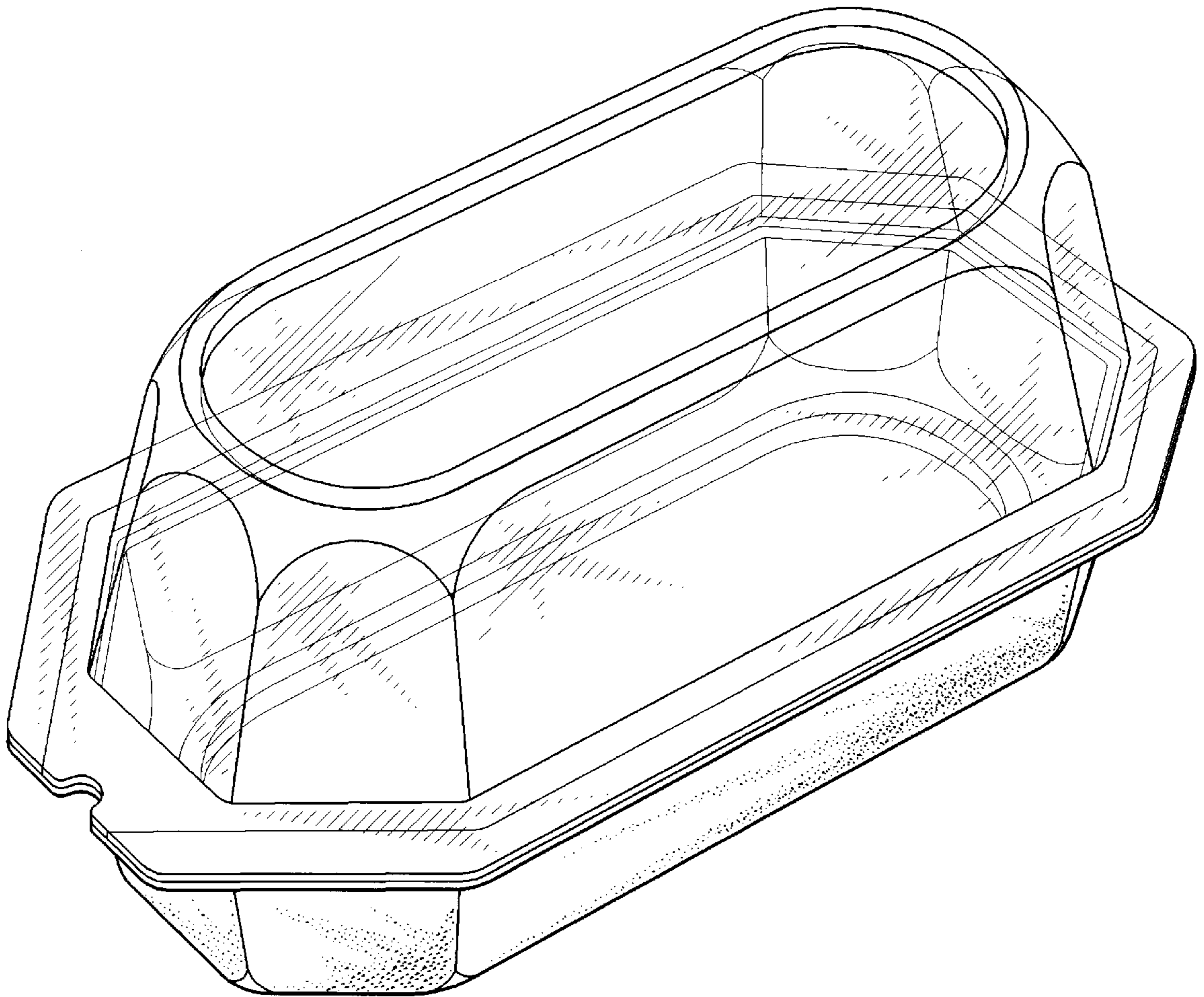


FIG. 2

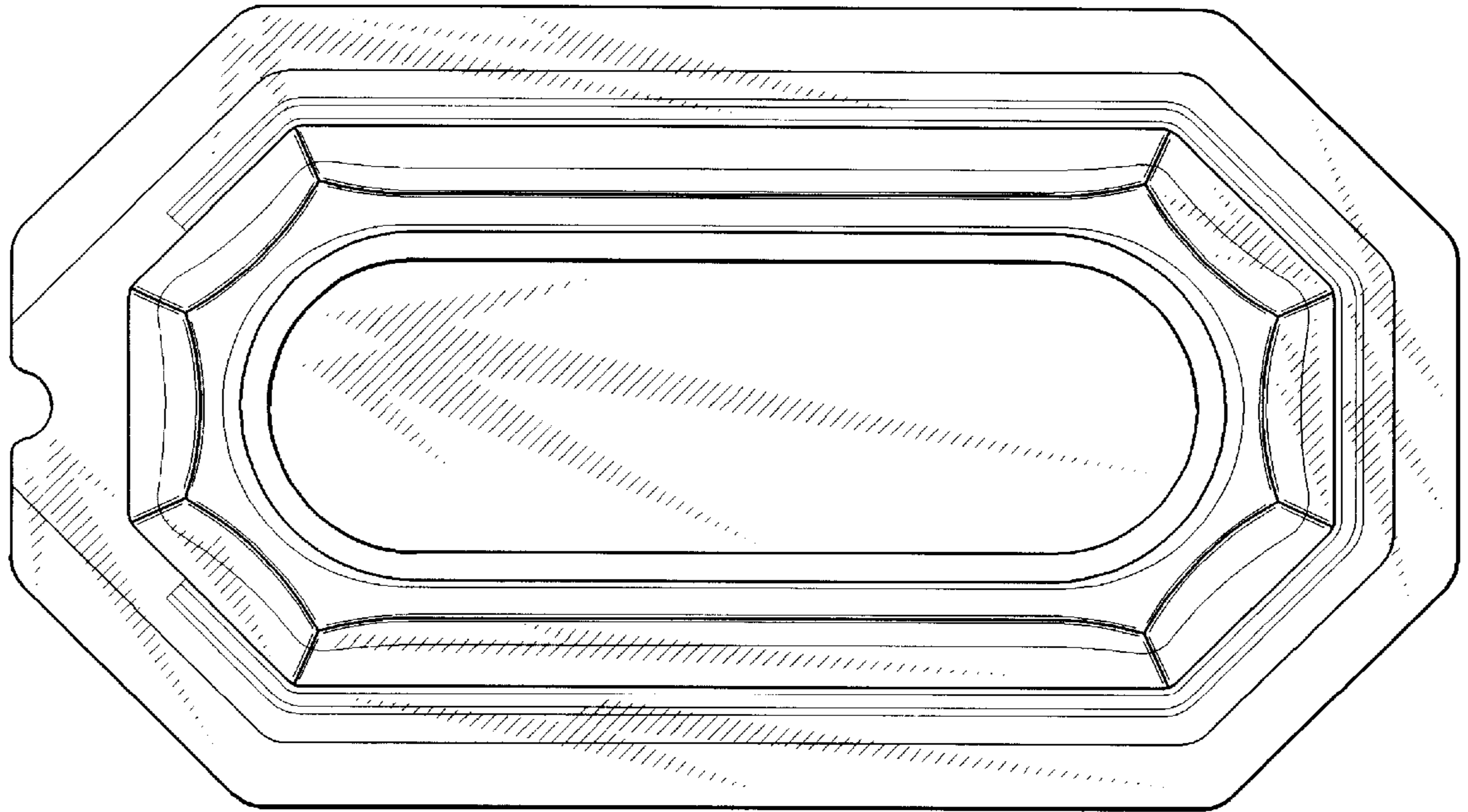


FIG. 3

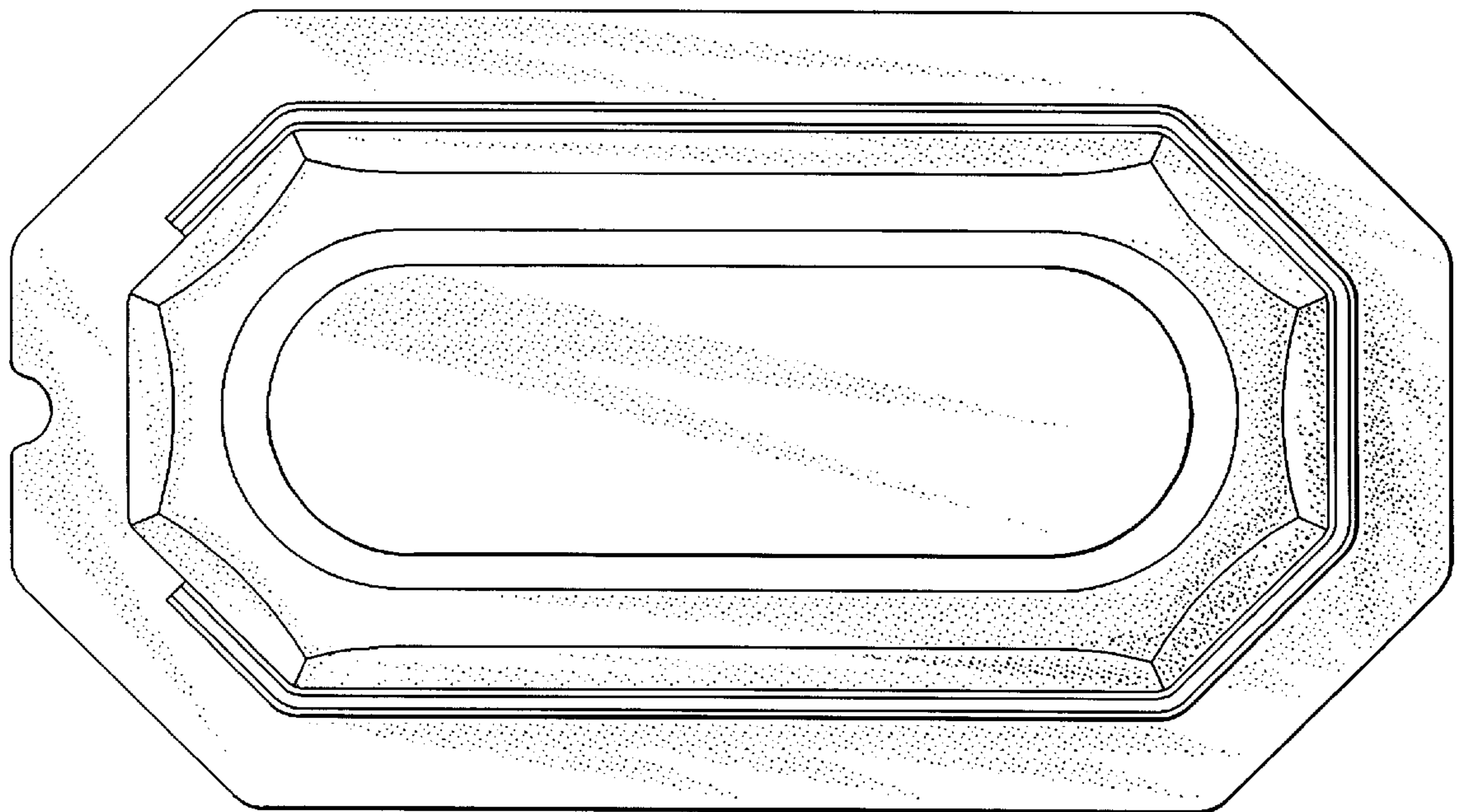


FIG. 4

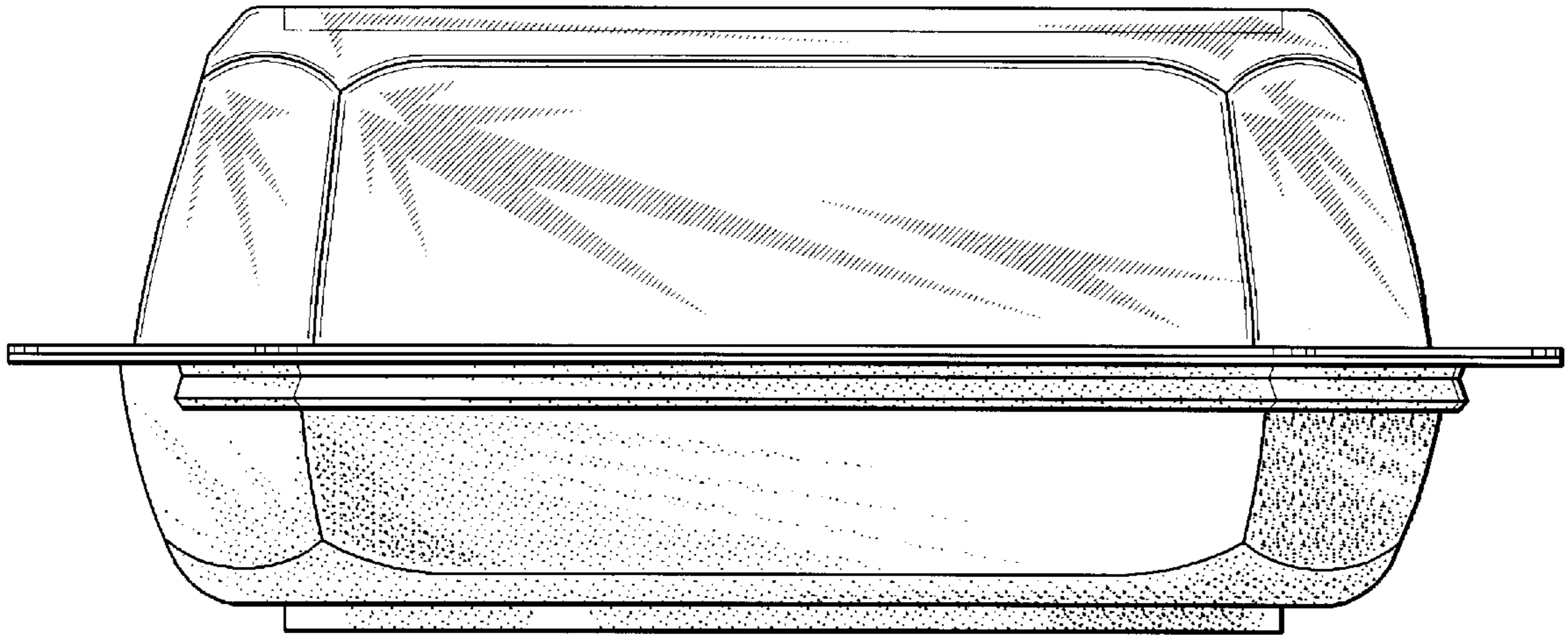


FIG. 5

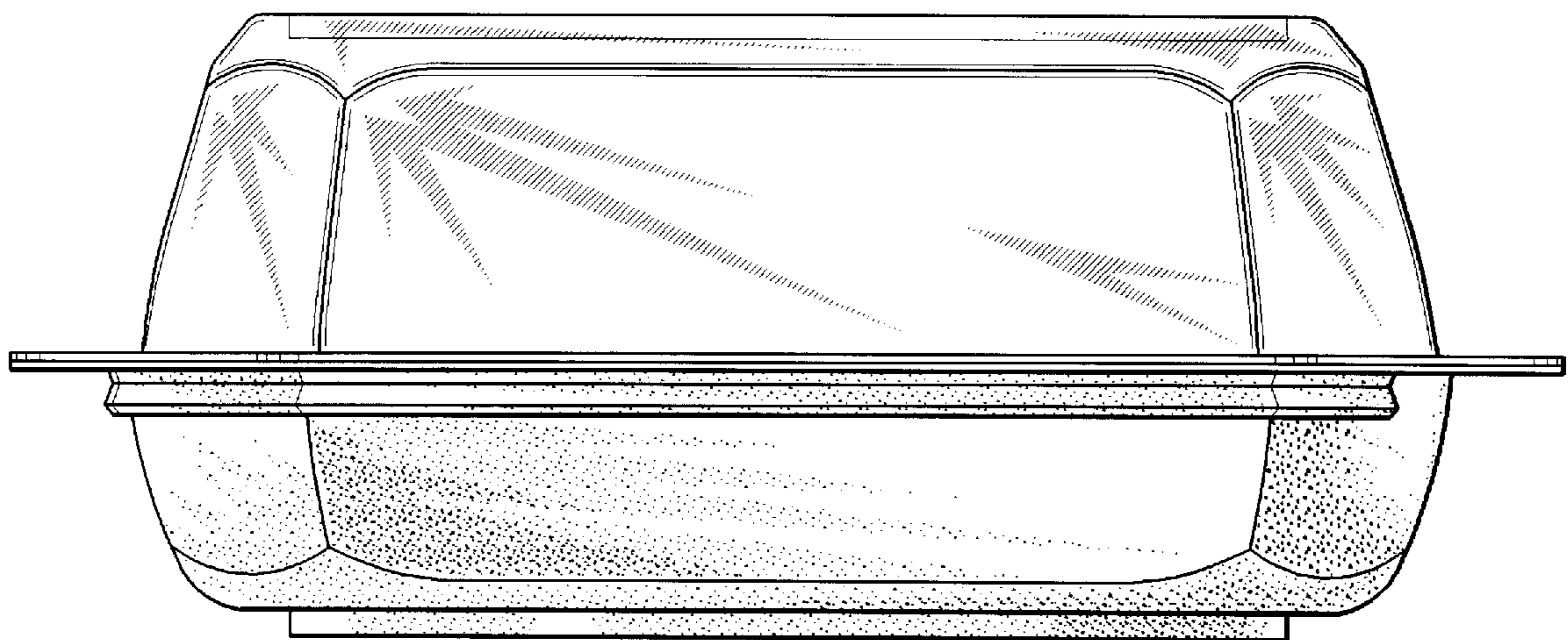


FIG. 6

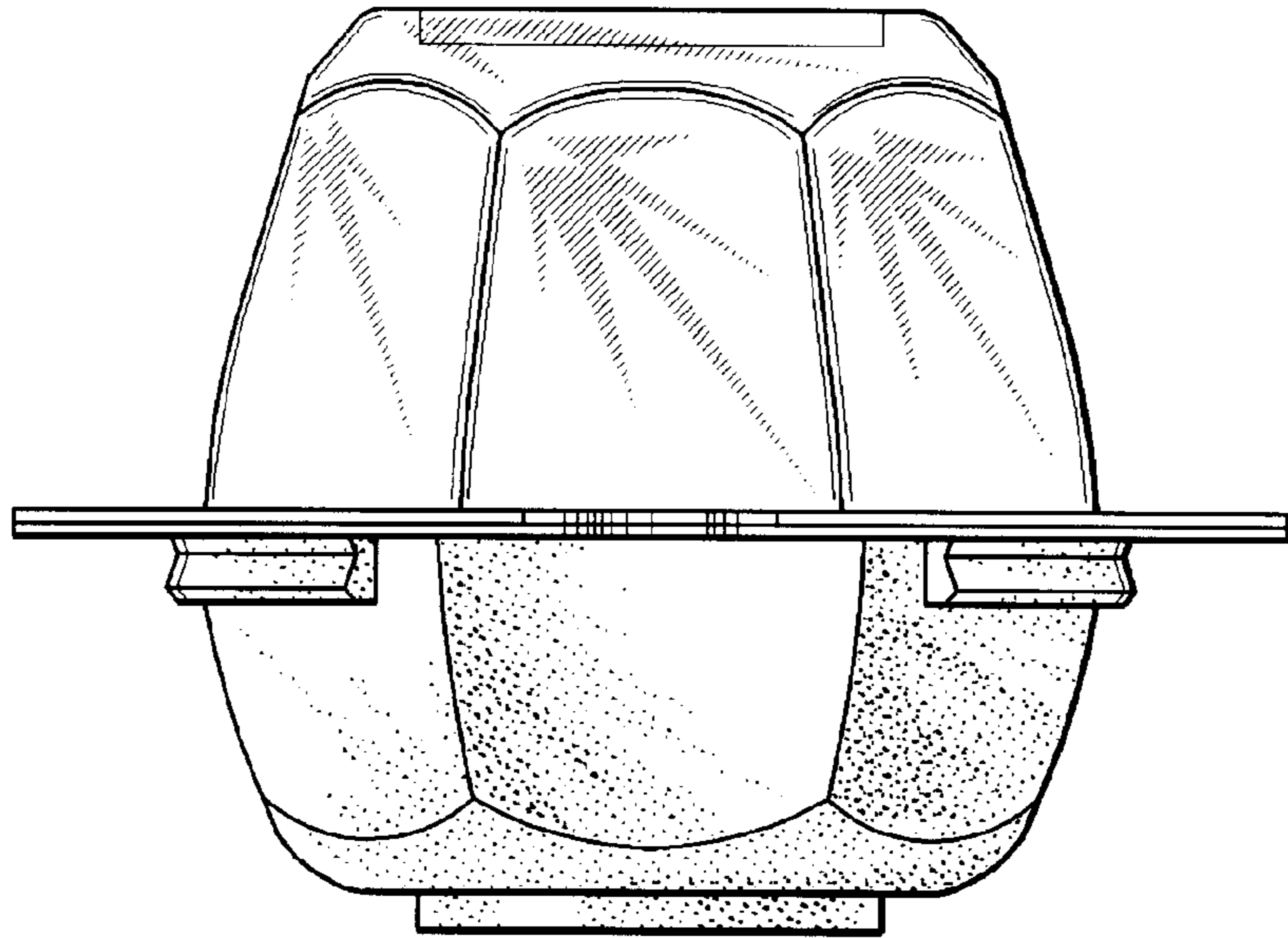


FIG. 7

