



US00D409083S

**United States Patent** [19]  
**Bernstein**

[11] **Patent Number: Des. 409,083**

[45] **Date of Patent: \*\* May 4, 1999**

[54] **CONNECTOR FOR ADJACENT TUBES**

[75] Inventor: **Patrik L. T. Bernstein**, Torekov,  
Sweden

[73] Assignee: **Global Act AB**, Sweden

[\*\*] Term: **14 Years**

[21] Appl. No.: **29/064,115**

[22] Filed: **Dec. 23, 1996**

[30] **Foreign Application Priority Data**

Jun. 27, 1996 [SE] Sweden ..... 961450

[51] **LOC (6) Cl.** ..... **08-08**

[52] **U.S. Cl.** ..... **D8/382**

[58] **Field of Search** ..... D8/382; D21/108;  
403/170, 171, 176, 217, 292, 298

[56] **References Cited**

**U.S. PATENT DOCUMENTS**

D. 311,680 10/1990 Miall ..... D8/382  
712,839 11/1902 McGowan .  
1,296,342 3/1919 Tozzi .

3,645,569 2/1972 Reilly .  
3,834,549 9/1974 Burg et al. .  
3,873,220 3/1975 Kashiwabara .  
5,003,741 4/1991 Yeh .  
5,169,258 12/1992 Raynak .  
5,690,446 11/1997 Poissant et al. .

*Primary Examiner*—B. J. Bullock  
*Attorney, Agent, or Firm*—Kelly Bauersfeld Lowry &  
Kelley, LLP

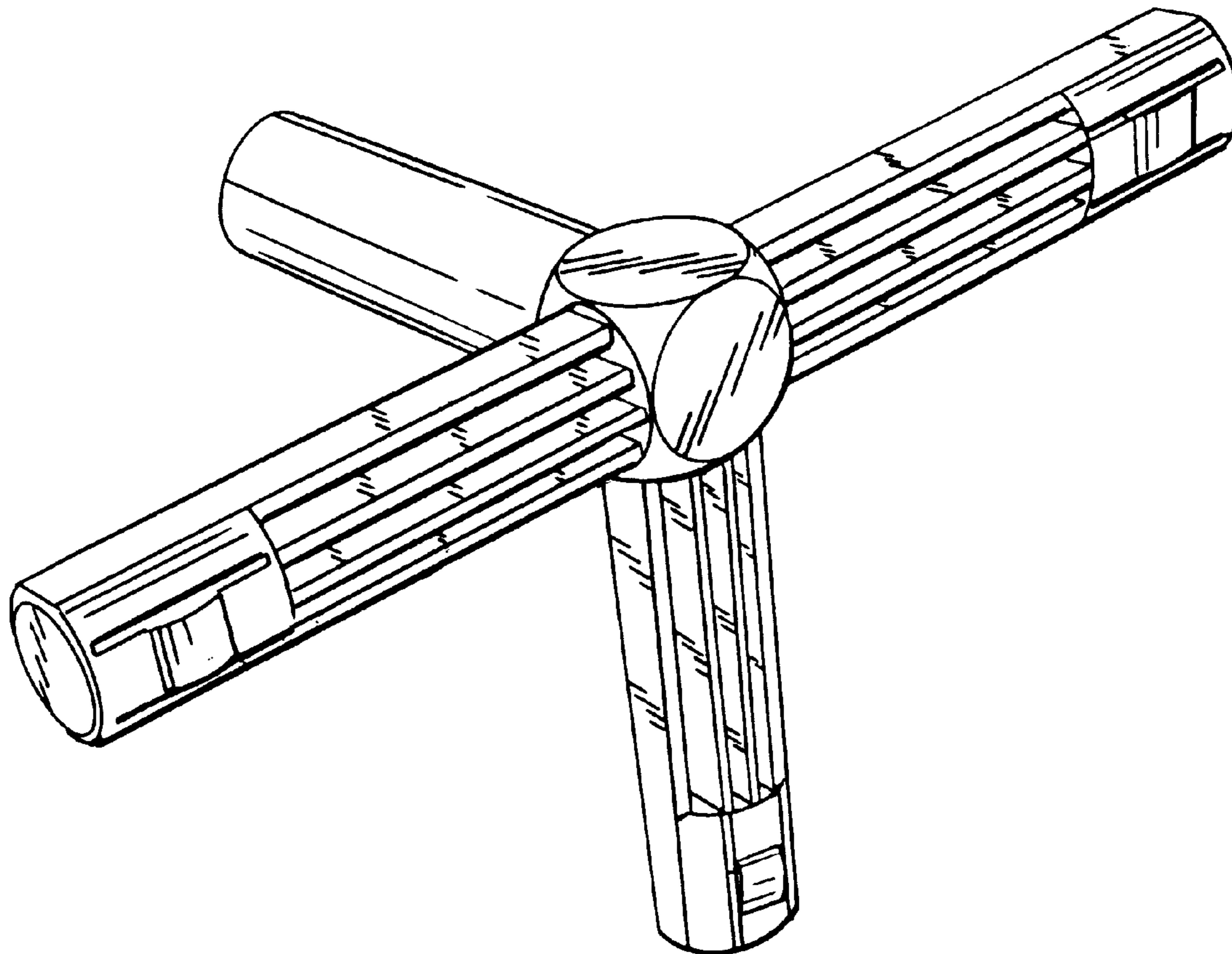
[57] **CLAIM**

The ornamental design for a connector for adjacent tubes, as shown.

**DESCRIPTION**

FIG. 1 is a top, front and right side perspective view of a connector for adjacent tubes embodying my new design; FIG. 2 is a front elevational view thereof; FIG. 3 is a rear elevational view thereof; FIG. 4 is a right side elevational view thereof; FIG. 5 is a left side elevational view thereof; FIG. 6 is a top plan view thereof; and, FIG. 7 is a bottom plan view thereof.

**1 Claim, 3 Drawing Sheets**



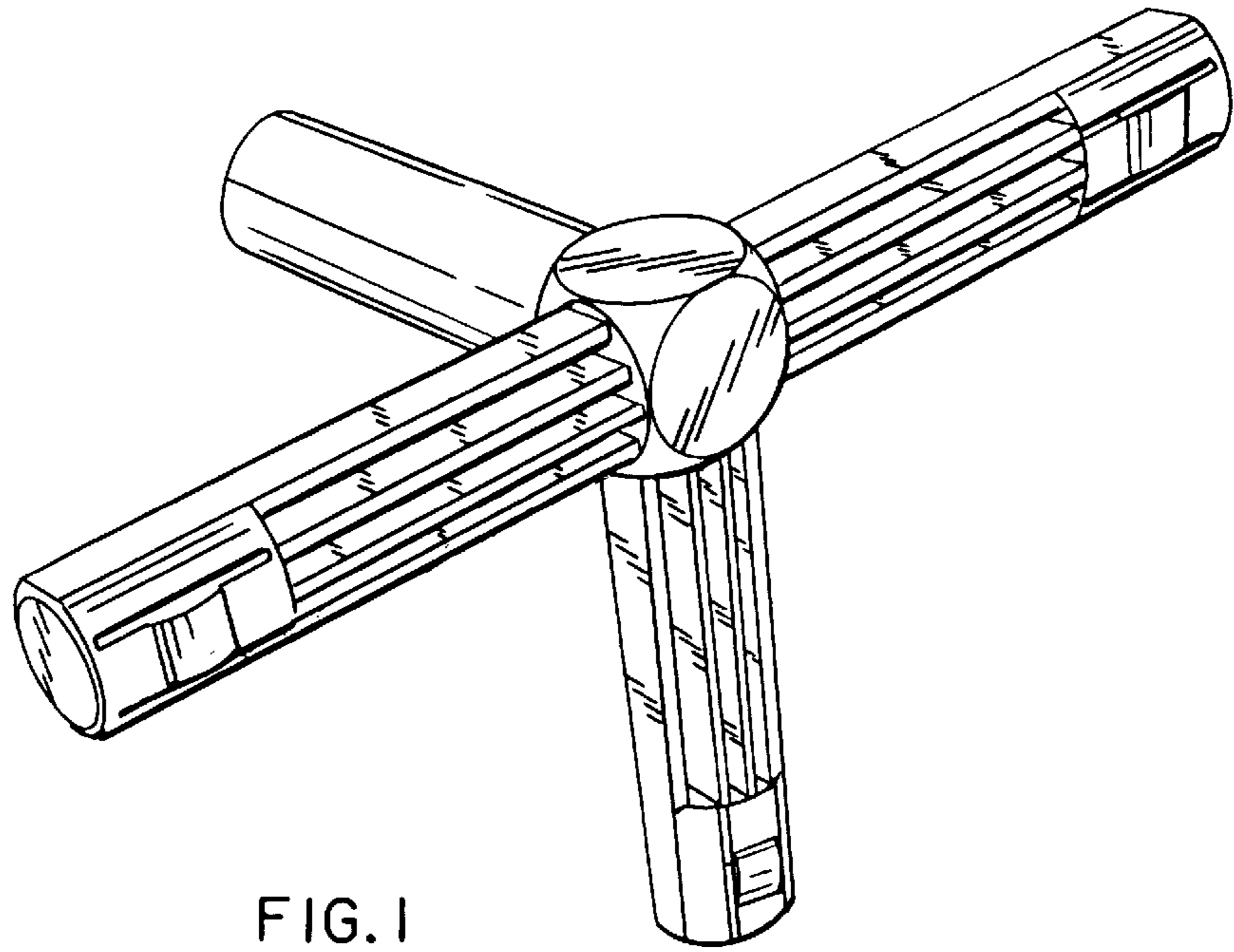


FIG. 1

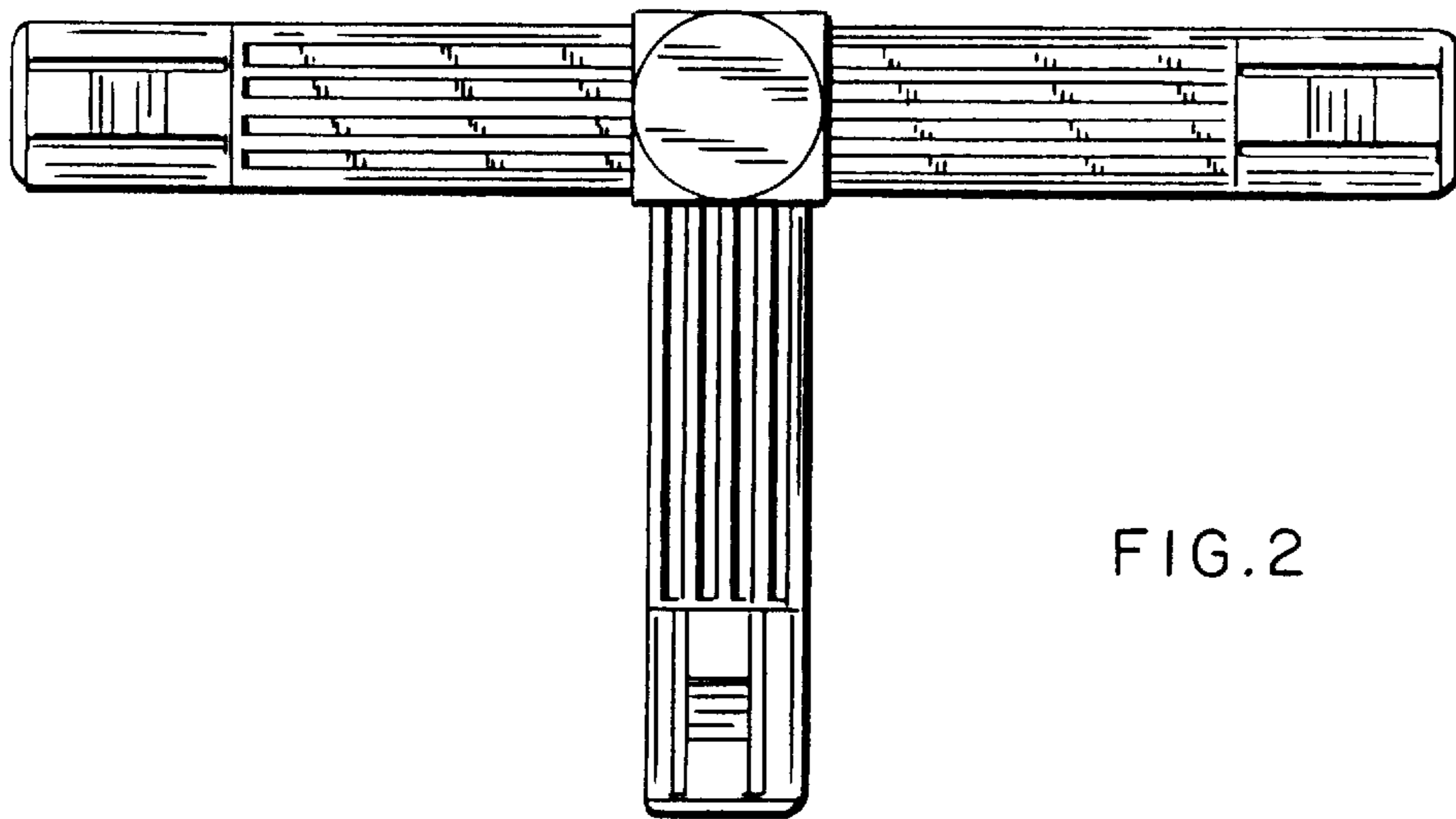


FIG. 2

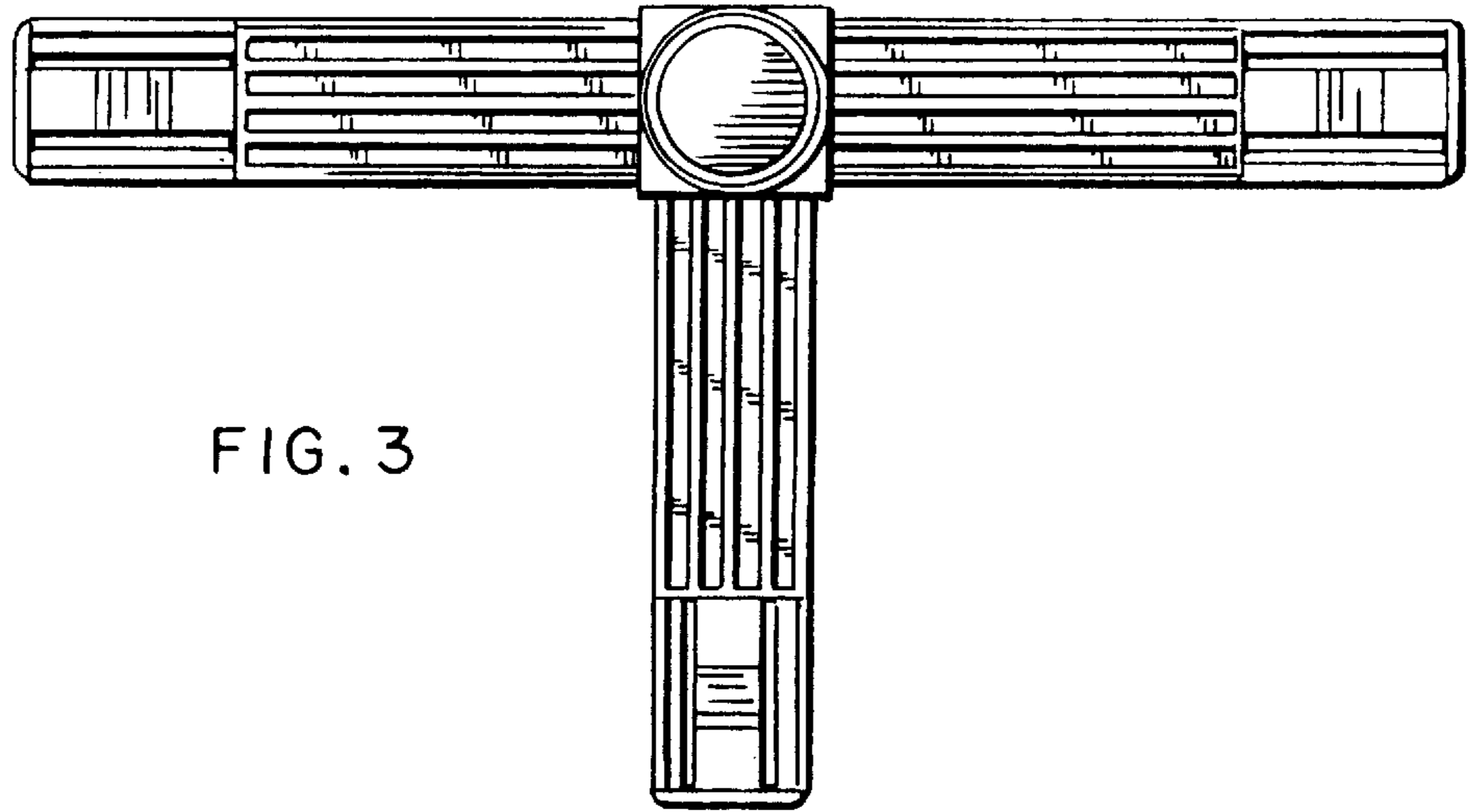


FIG. 3

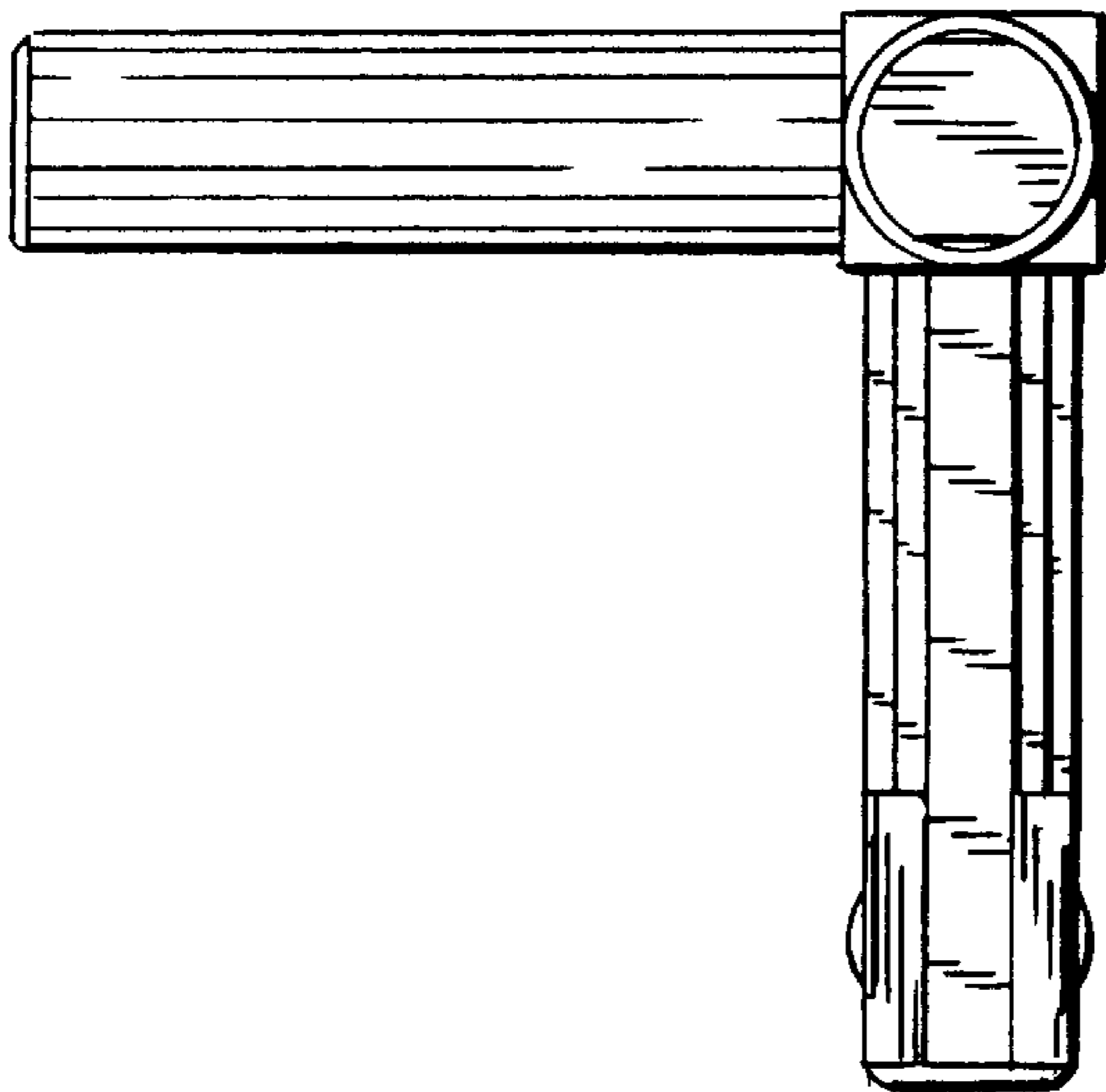


FIG. 4

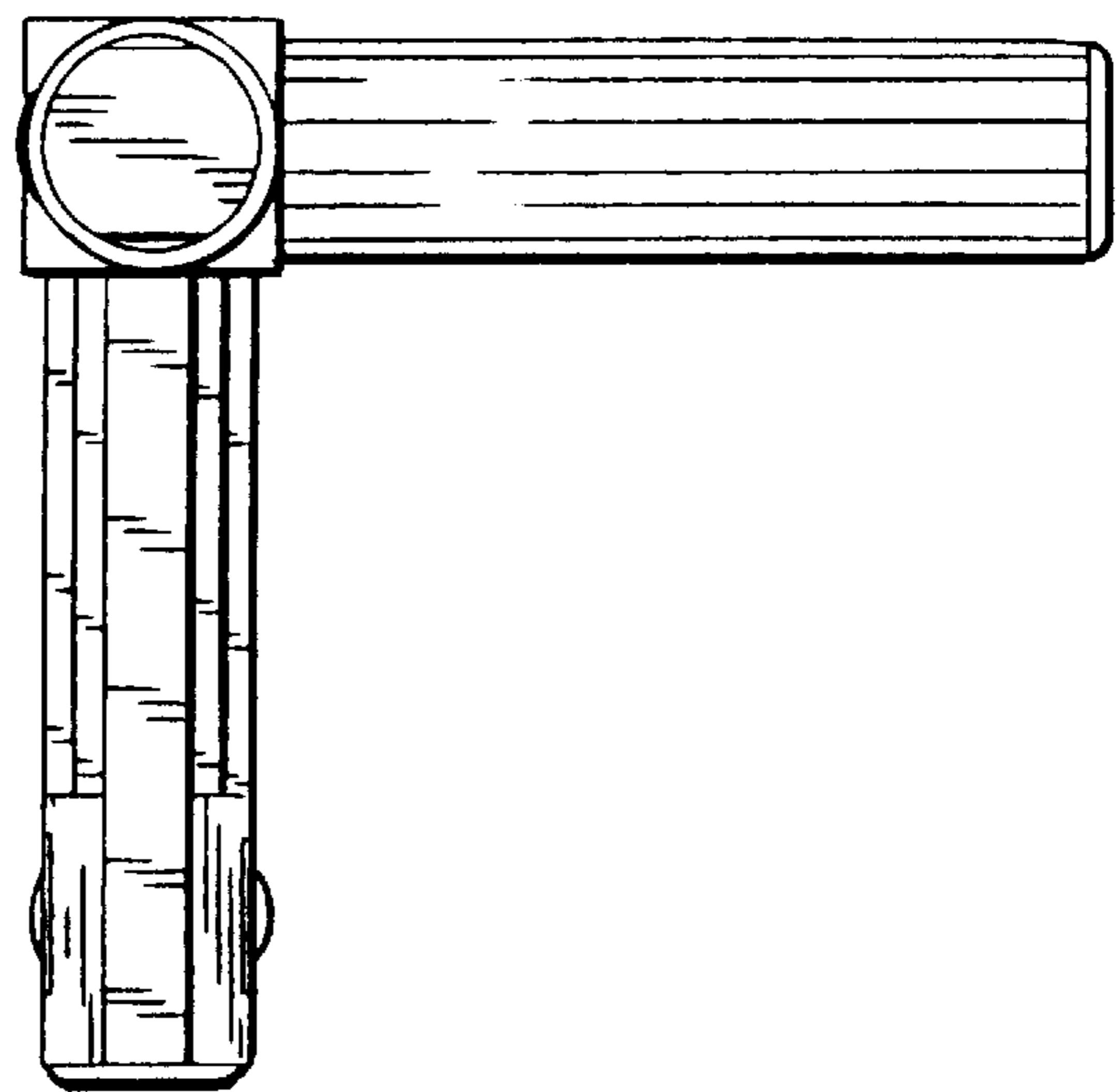


FIG. 5

FIG. 6

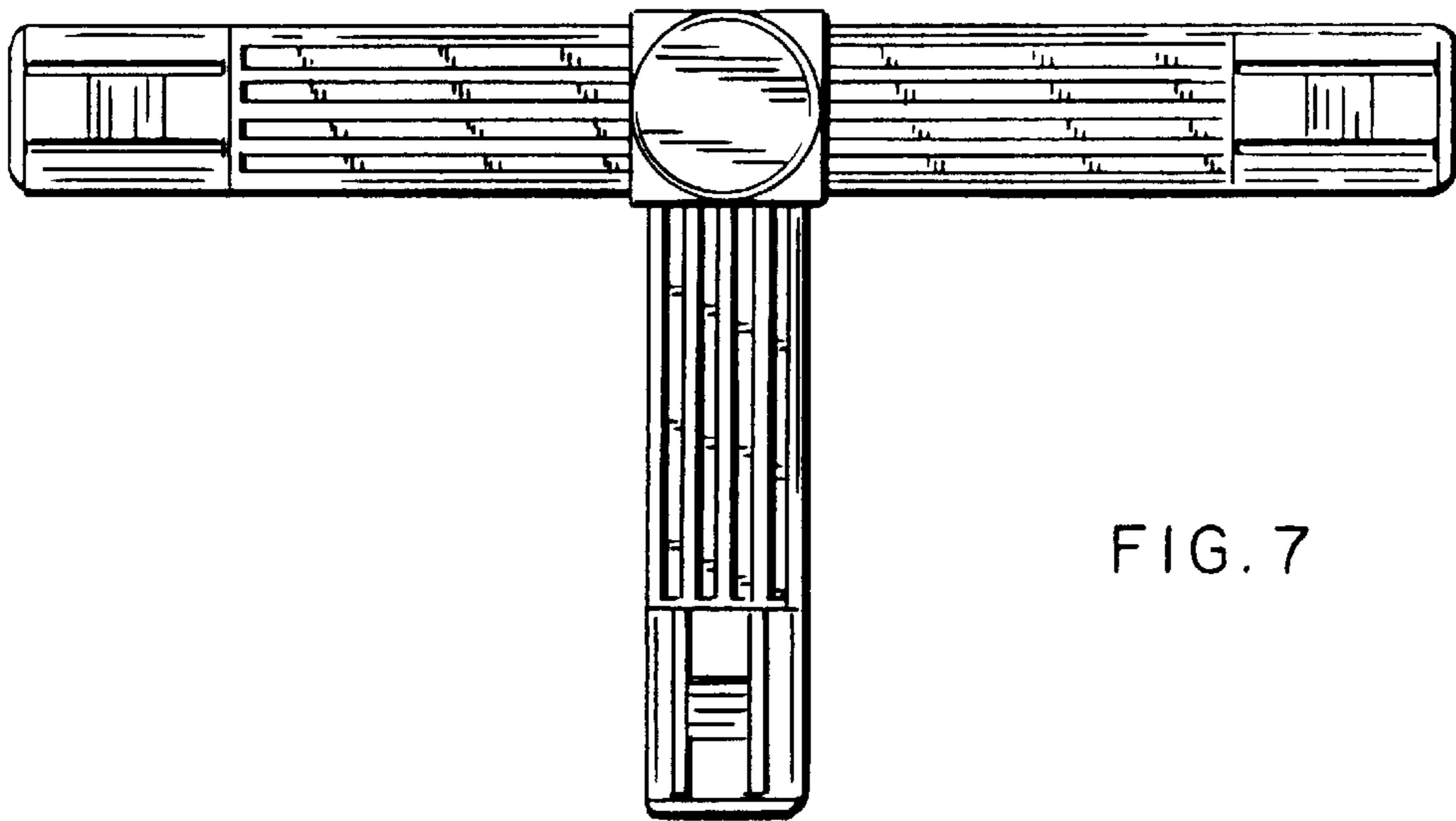
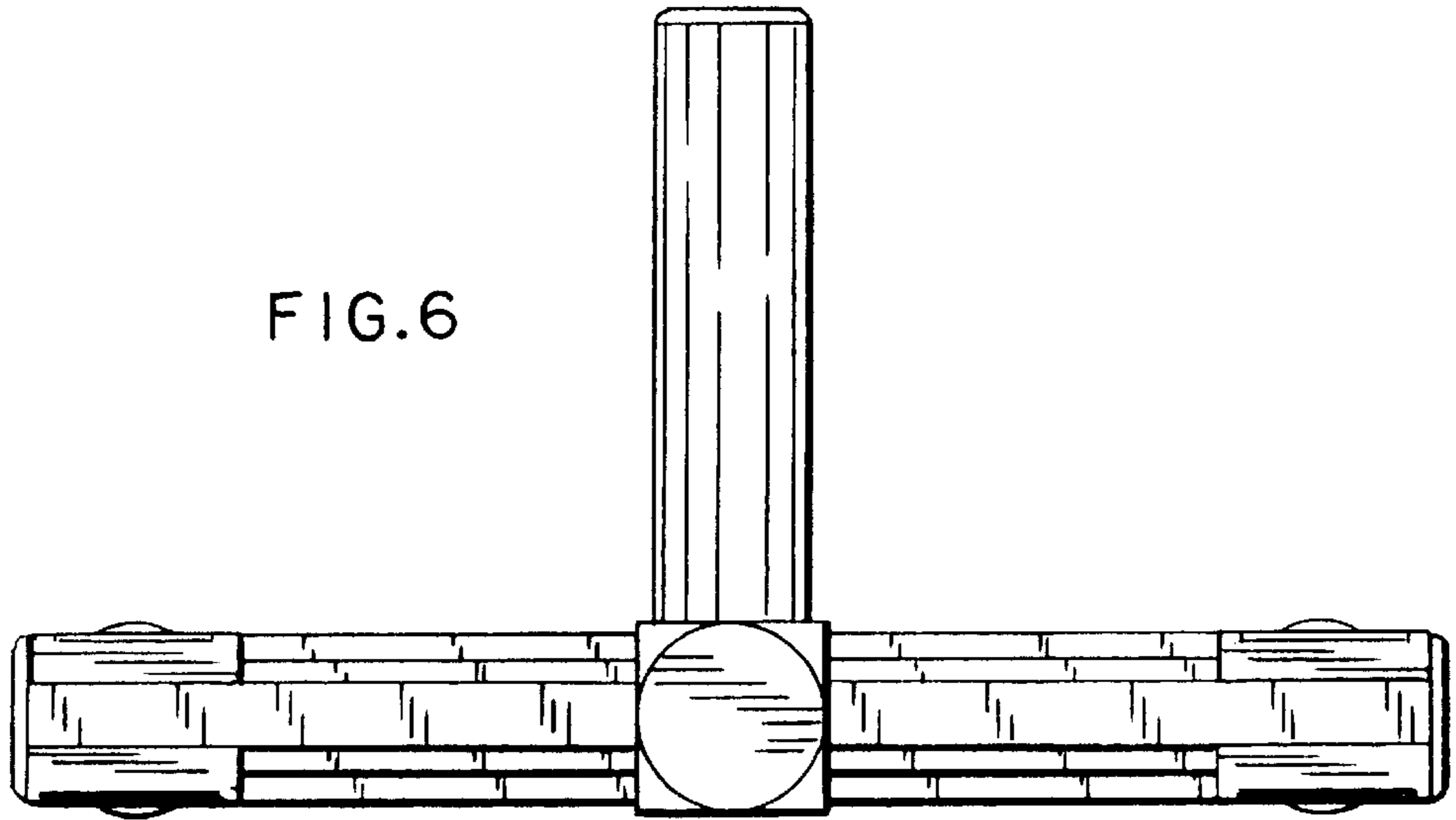


FIG. 7