



US00D409077S

United States Patent [19] Brooks

[11] Patent Number: Des. 409,077

[45] Date of Patent: ** May 4, 1999

[54] WINDOW BOX MOUNTING BRACKET

[76] Inventor: Richard C. Brooks, P.O. Box 651,
Merrimack, N.H. 03054

[**] Term: 14 Years

[21] Appl. No.: 29/086,848

[22] Filed: Apr. 21, 1998

[51] LOC (6) Cl. 08-05

[52] U.S. Cl. D8/354; D8/366

[58] Field of Search D8/349, 354, 366,
D8/380; 248/200, 201, 300, 215, 27.1;
52/712, 714-715

[56] **References Cited**

U.S. PATENT DOCUMENTS

D. 248,910	8/1978	DeFilippo	D8/373
D. 265,285	7/1982	Englert, Jr.	D8/354
D. 288,282	2/1987	Sheets	D8/373
D. 376,972	12/1996	Zissu	D8/354
D. 385,481	10/1997	Klein et al.	D8/373
3,813,813	6/1974	Powell	

4,048,754	9/1977	Laux	
4,534,130	8/1985	Rogers	
5,085,389	2/1992	Levesque	248/300
5,191,746	3/1993	Russell	
5,292,014	3/1994	Lelong	

Primary Examiner—Holly Baynham
Attorney, Agent, or Firm—Chase & Yakimo, L.C.

[57] **CLAIM**

The ornamental design for a window box mounting bracket, as shown and described.

DESCRIPTION

FIG. 1 is a perspective view of the window box mounting bracket showing my new design.

FIG. 2 is a front view of the device shown in FIG. 1.

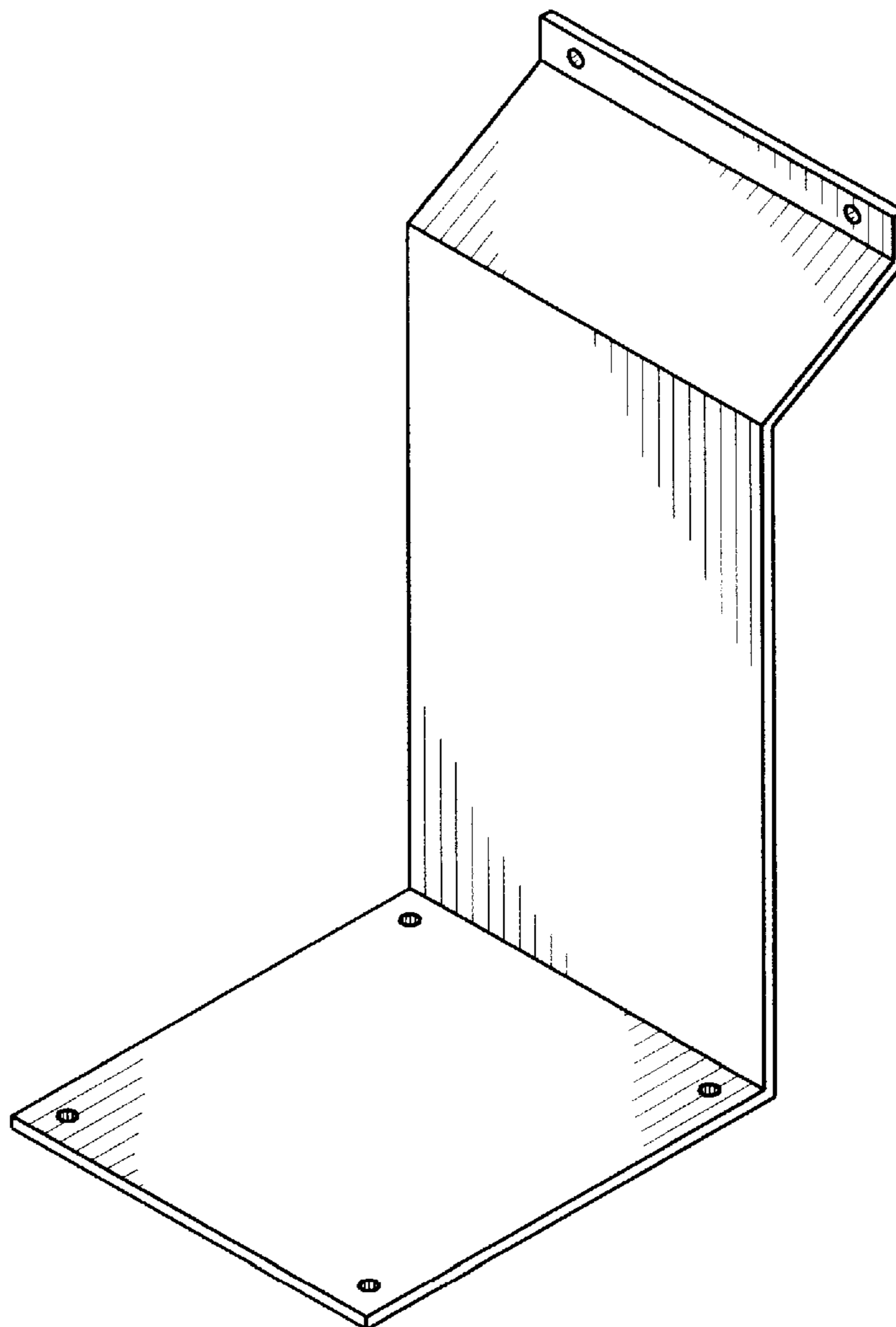
FIG. 3 is a rear view of the device shown in FIG. 1.

FIG. 4 is a top view of the device shown in FIG. 1.

FIG. 5 is a bottom view of the device shown in FIG. 1; and,

FIG. 6 is a one side view of the device shown in FIG. 1, the opposed side view being a mirror image thereof.

1 Claim, 6 Drawing Sheets



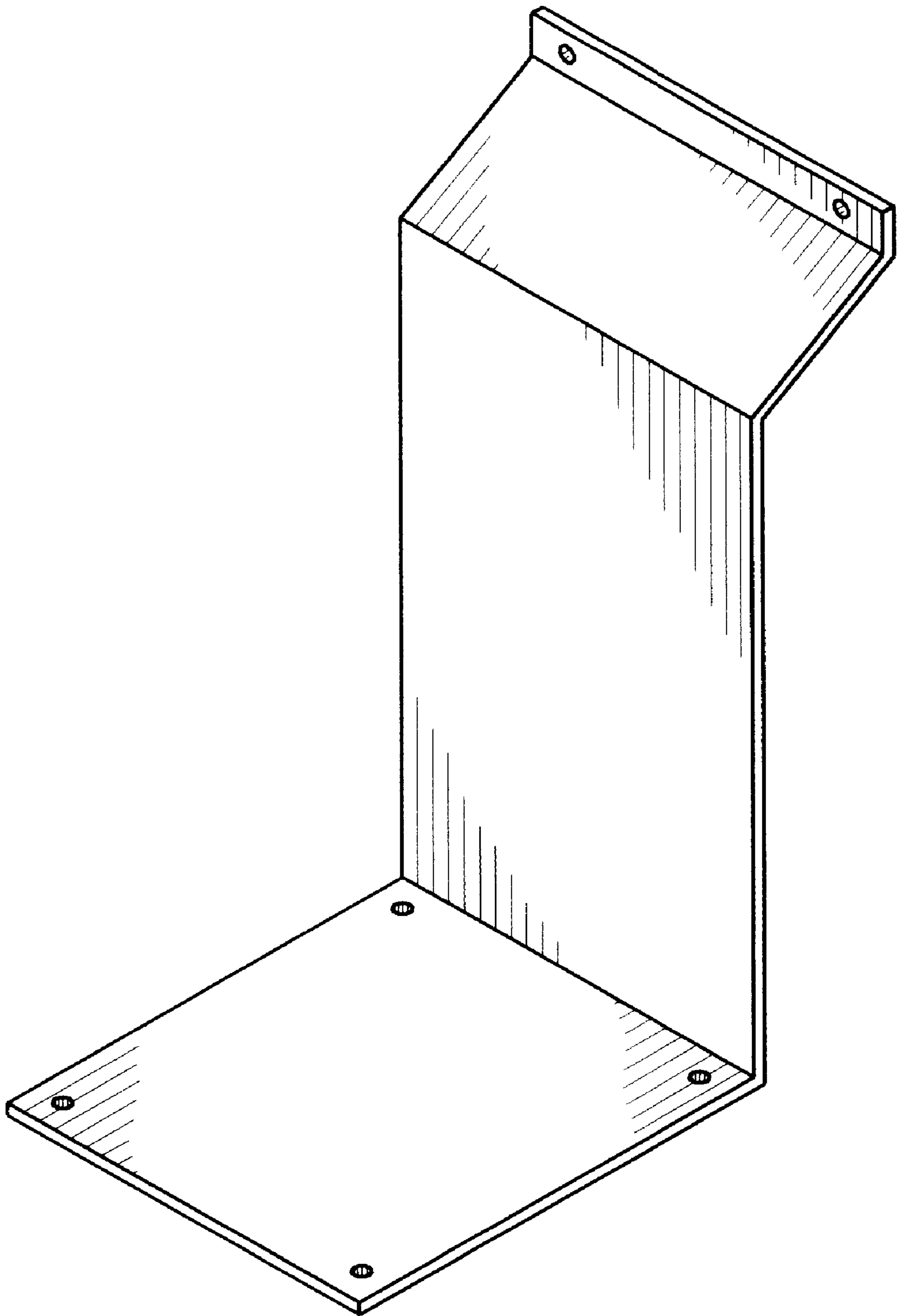


FIG. 1

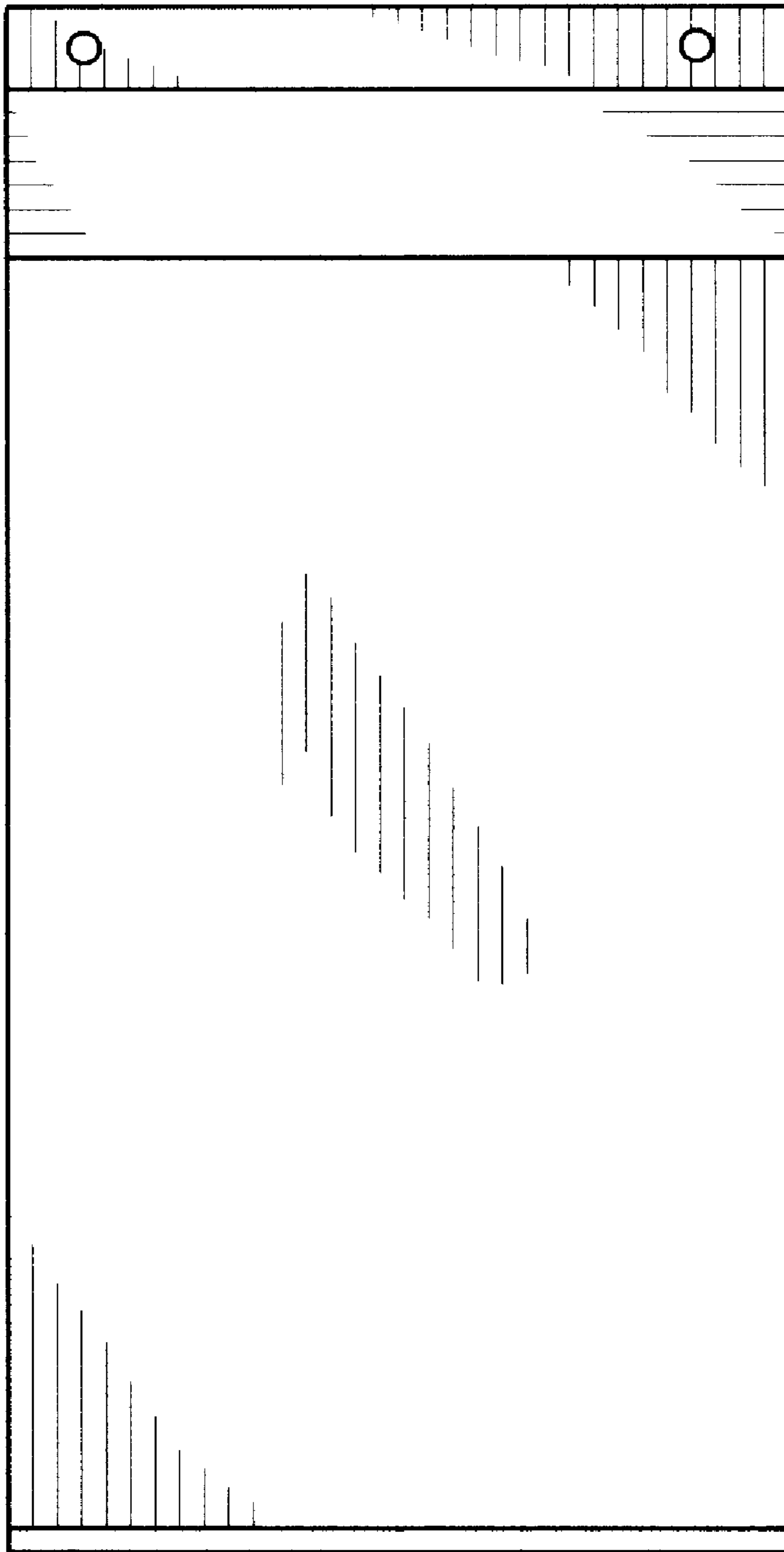


FIG. 2

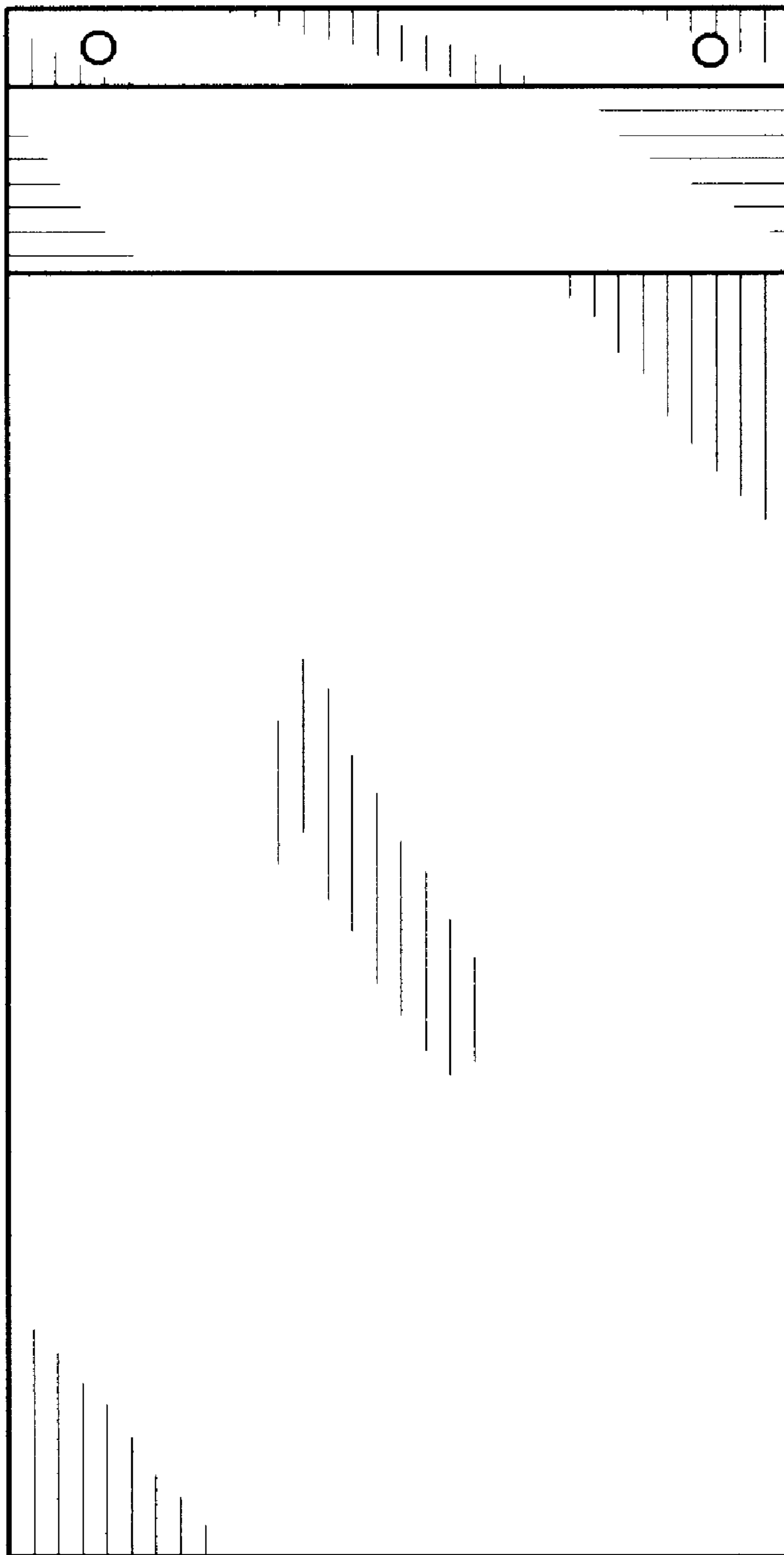


FIG. 3

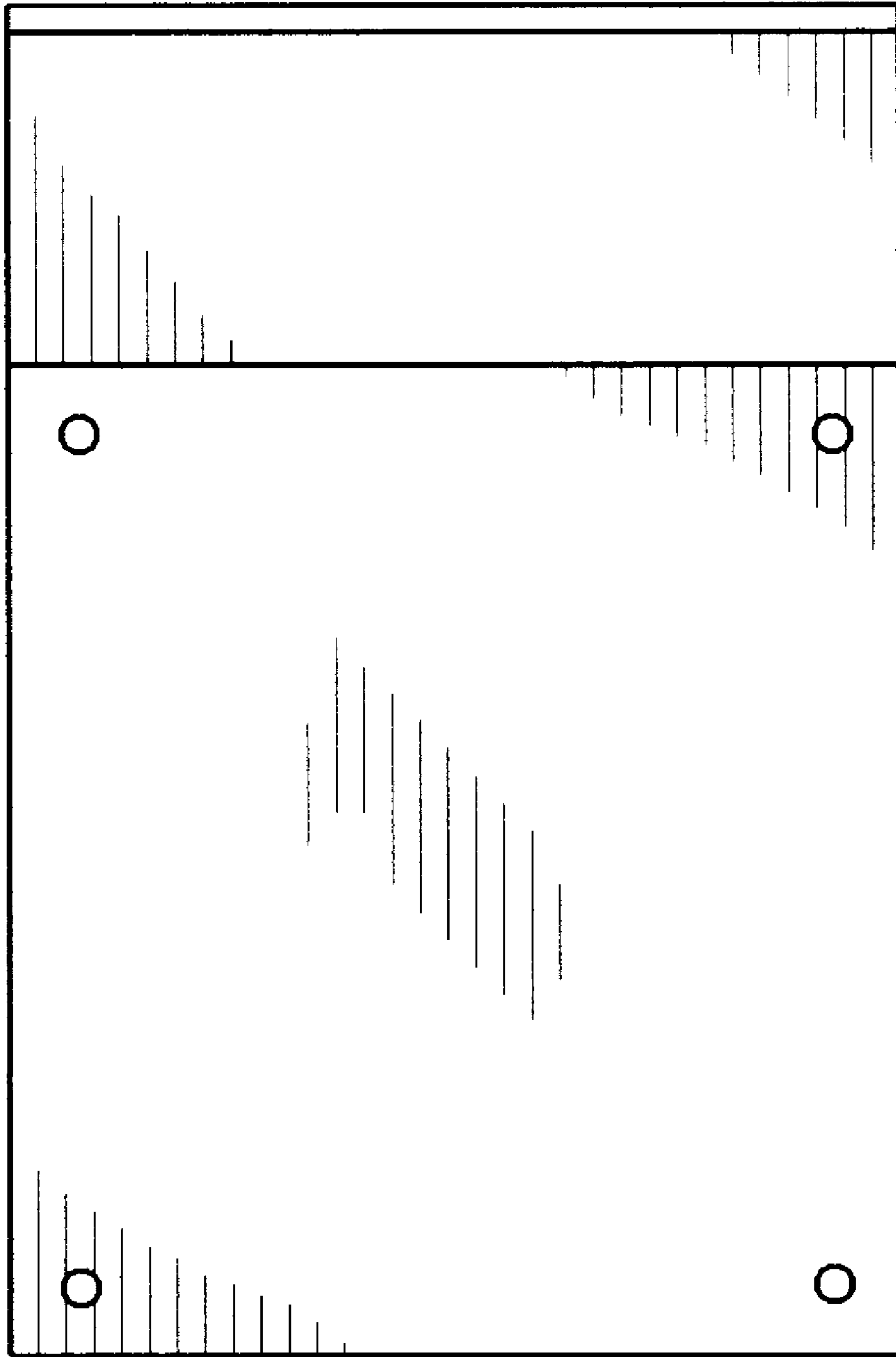


FIG. 4

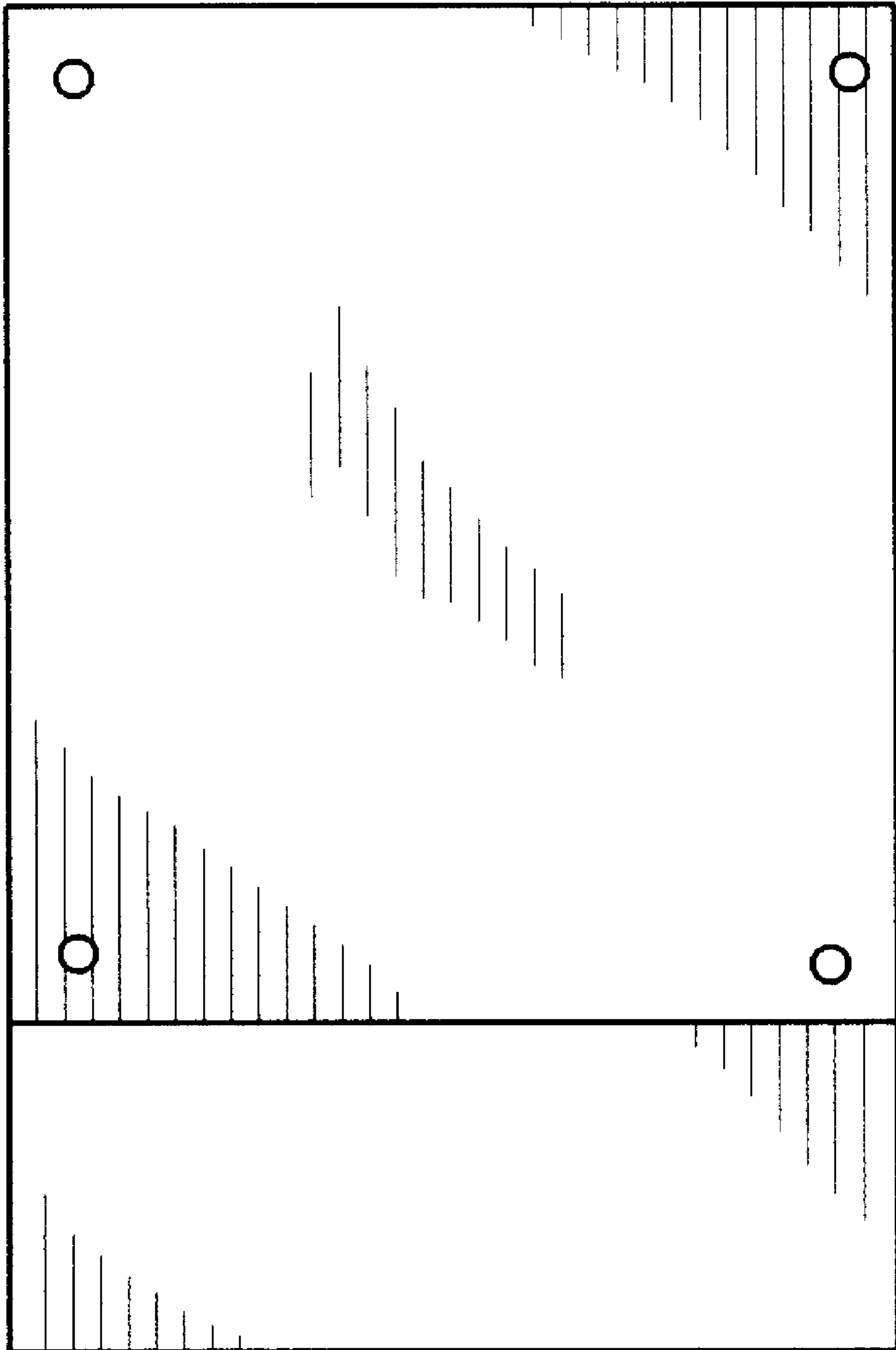


FIG. 5

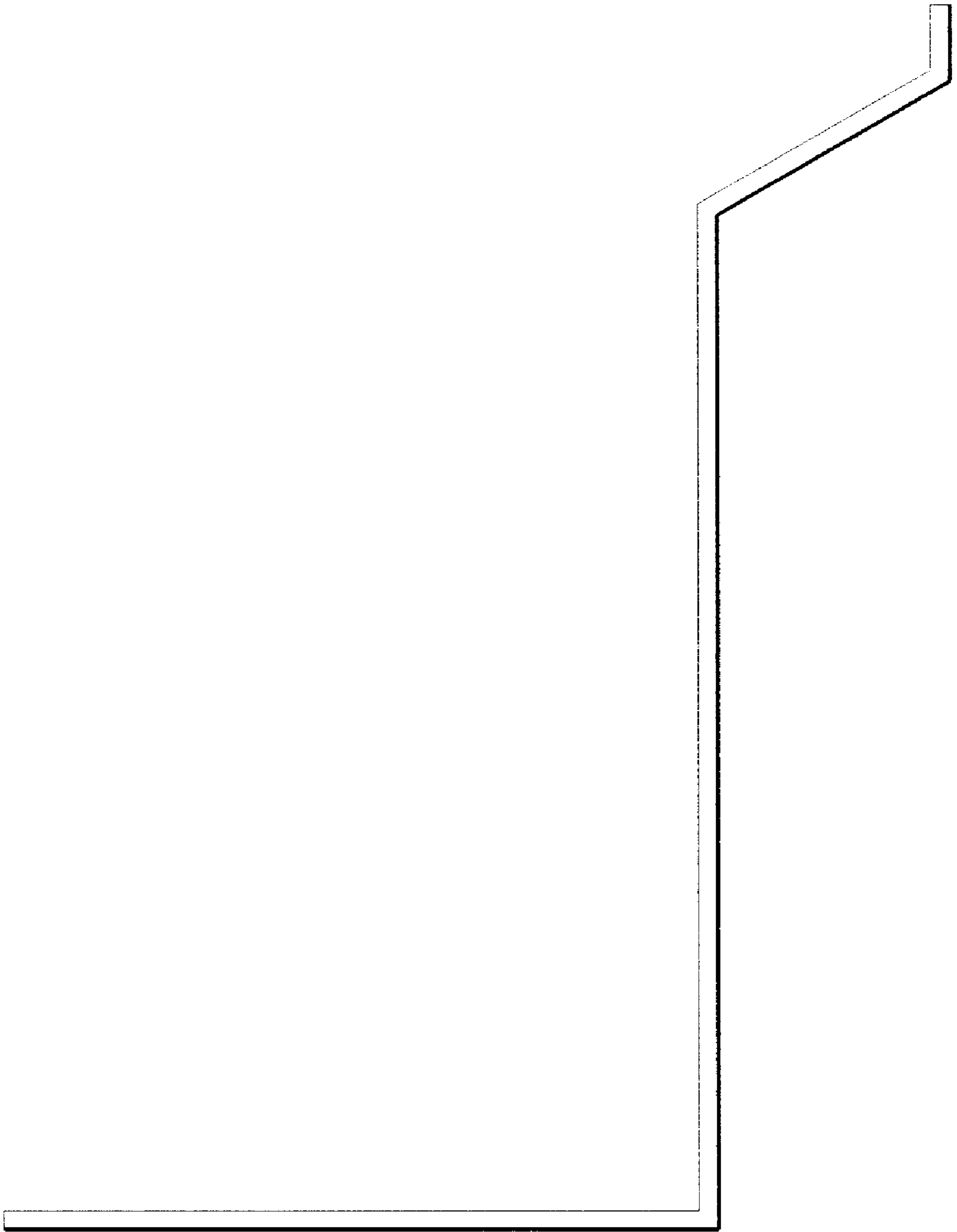


FIG. 6