

US00D409076S

United States Patent [19] Wolf

[11] **Patent Number: Des. 409,076**

[45] **Date of Patent: ** May 4, 1999**

[54] **BUCKET HOLDER**

D. 376,388 12/1996 Hall D8/349 X

[76] Inventor: **Daniel R. Wolf**, 188 N. Summit Dr.,
#135, Holts Summit, Mo. 65043

Primary Examiner—Holly Baynham
Attorney, Agent, or Firm—Richard J. Grundstrom

[**] Term: **14 Years**

[57] **CLAIM**

The ornamental design for a bucket holder, as shown.

[21] Appl. No.: **29/083,296**

[22] Filed: **Jan. 28, 1998**

DESCRIPTION

[51] **LOC (6) Cl.** **08-05**

The characteristic feature of the design resides in a new and unique bucket holder.

[52] **U.S. Cl.** **D8/349**

FIG. 1 is a side view of the bucket holder of this design, with the other side being a mirror image.

[58] **Field of Search** D8/349, 354, 363,
D8/380; 248/229.1, 499, 300, 200, 201,
27.1

FIG. 2 is an isometric view of the bucket holder.

FIG. 3 is a top view of the bucket holder of this design.

FIG. 4 is bottom view of the bucket holder of this design; and,

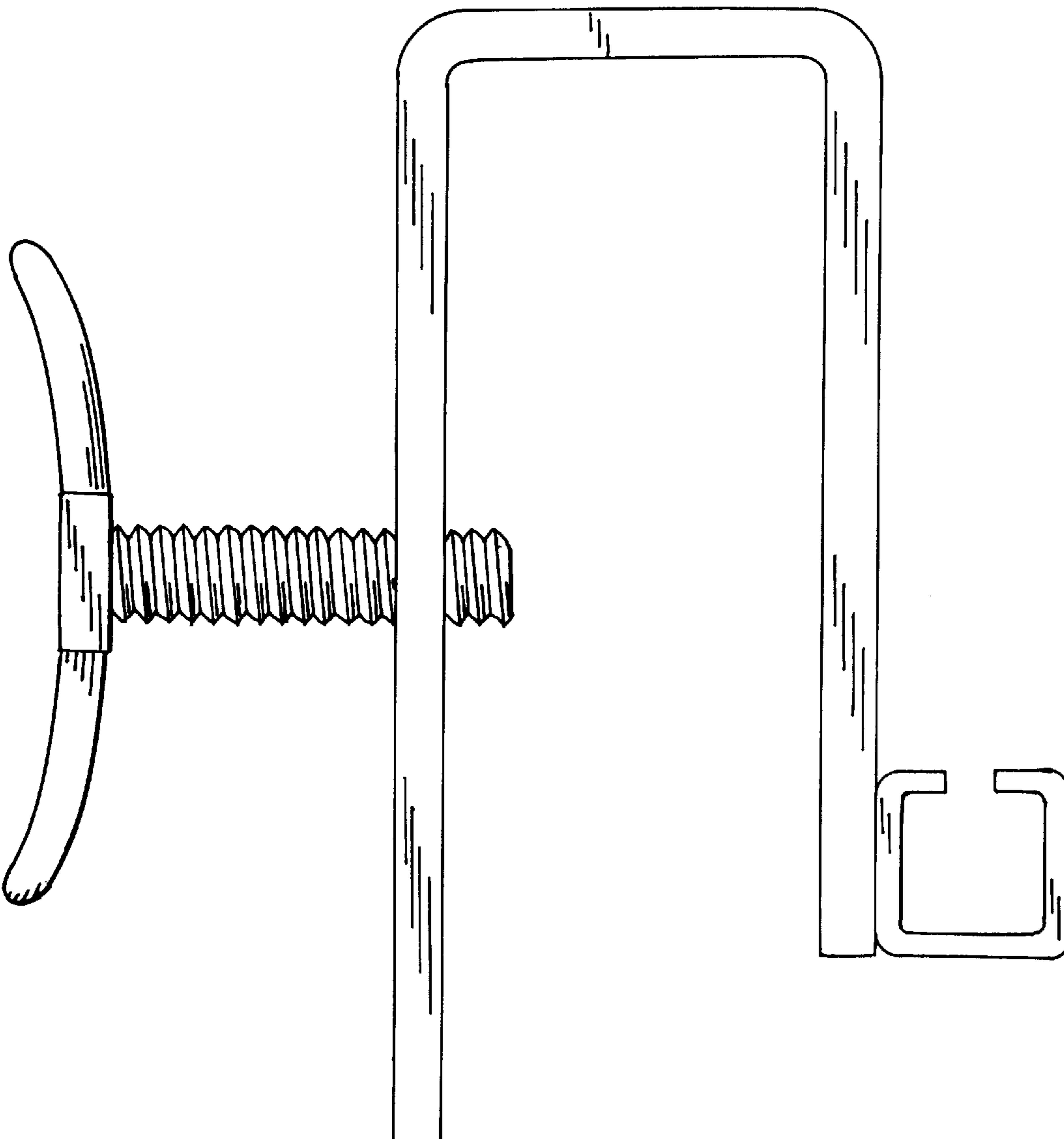
FIG. 5 is back view of the bucket holder.

[56] **References Cited**

U.S. PATENT DOCUMENTS

D. 237,775 11/1975 Hitoml D8/356

1 Claim, 5 Drawing Sheets



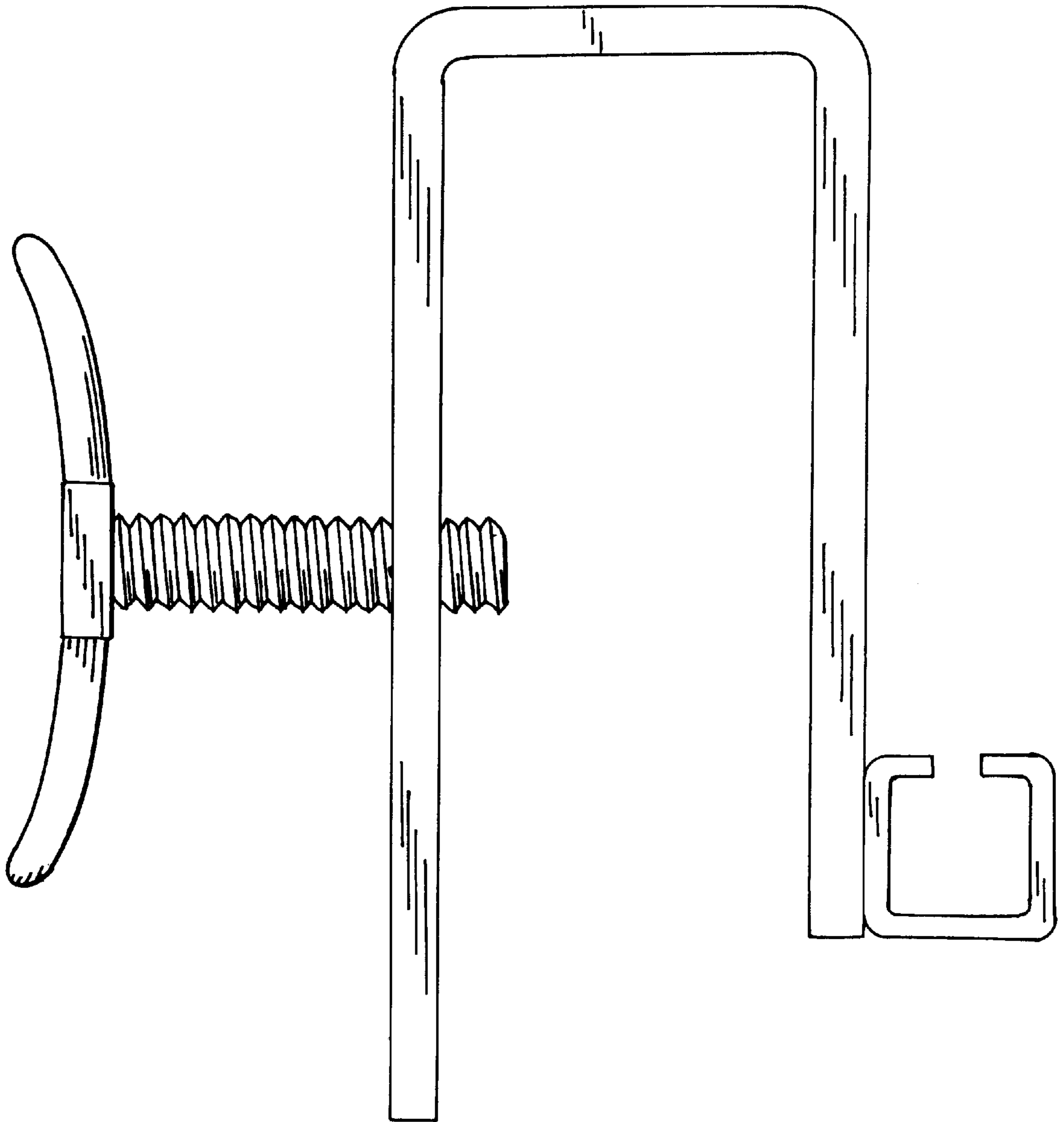


FIG. 1.

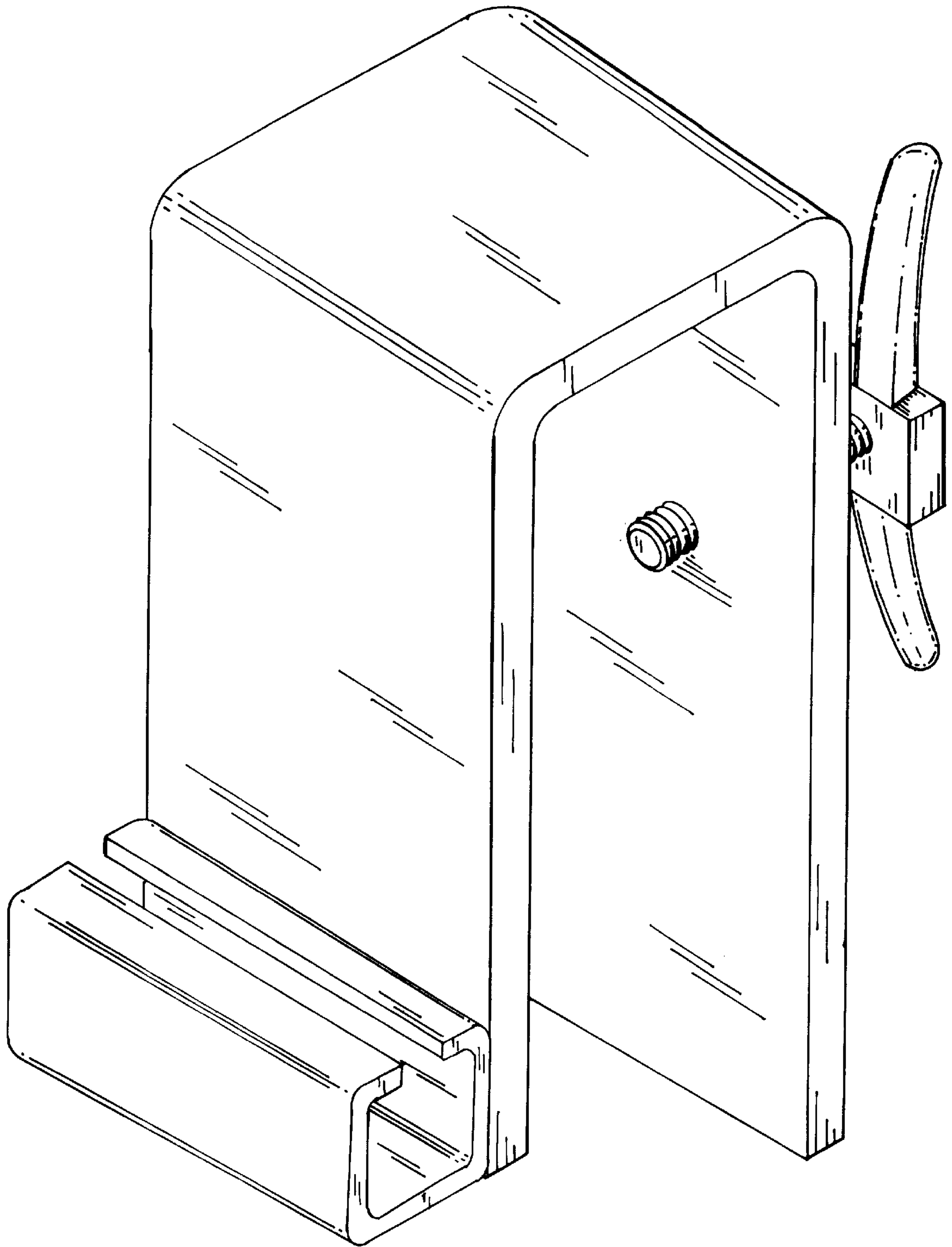


FIG.2.

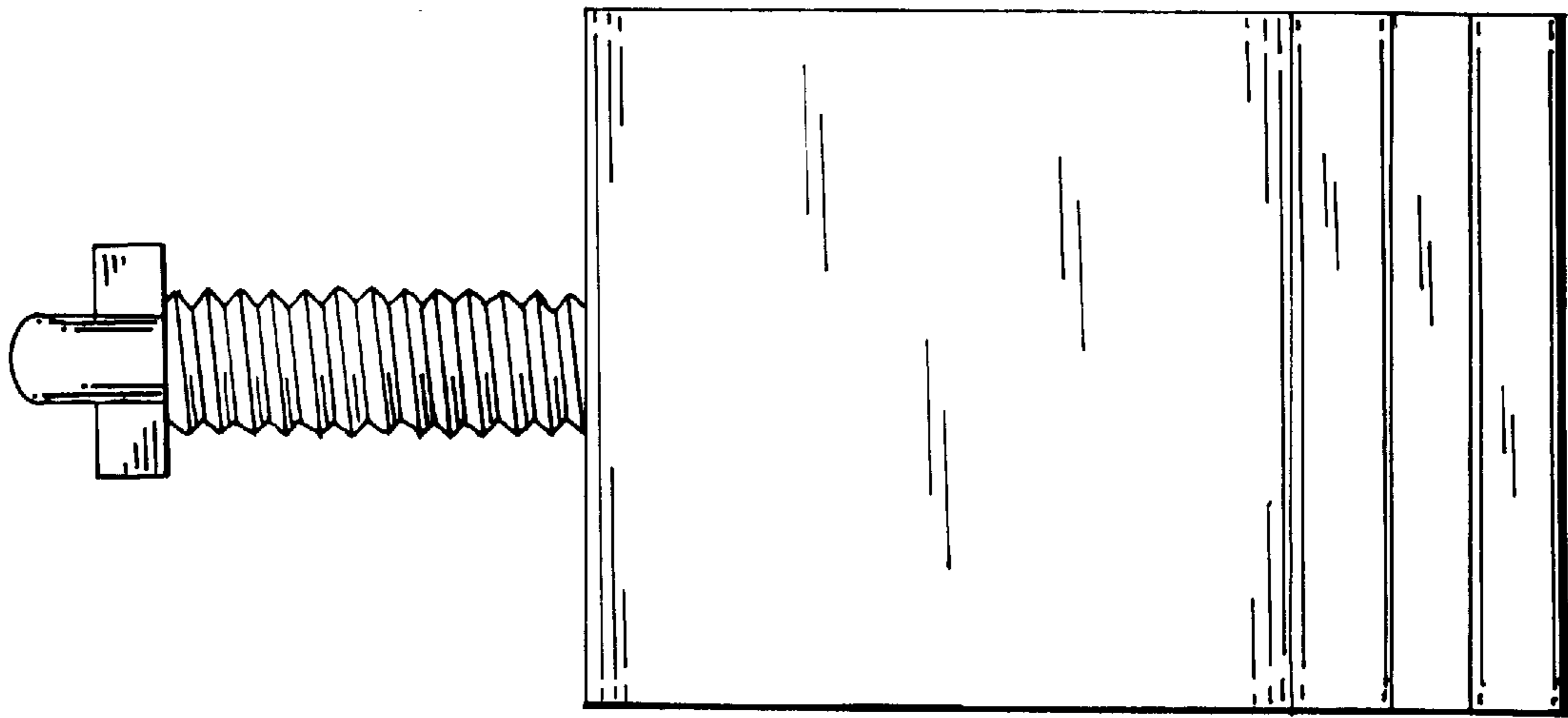


FIG.3.

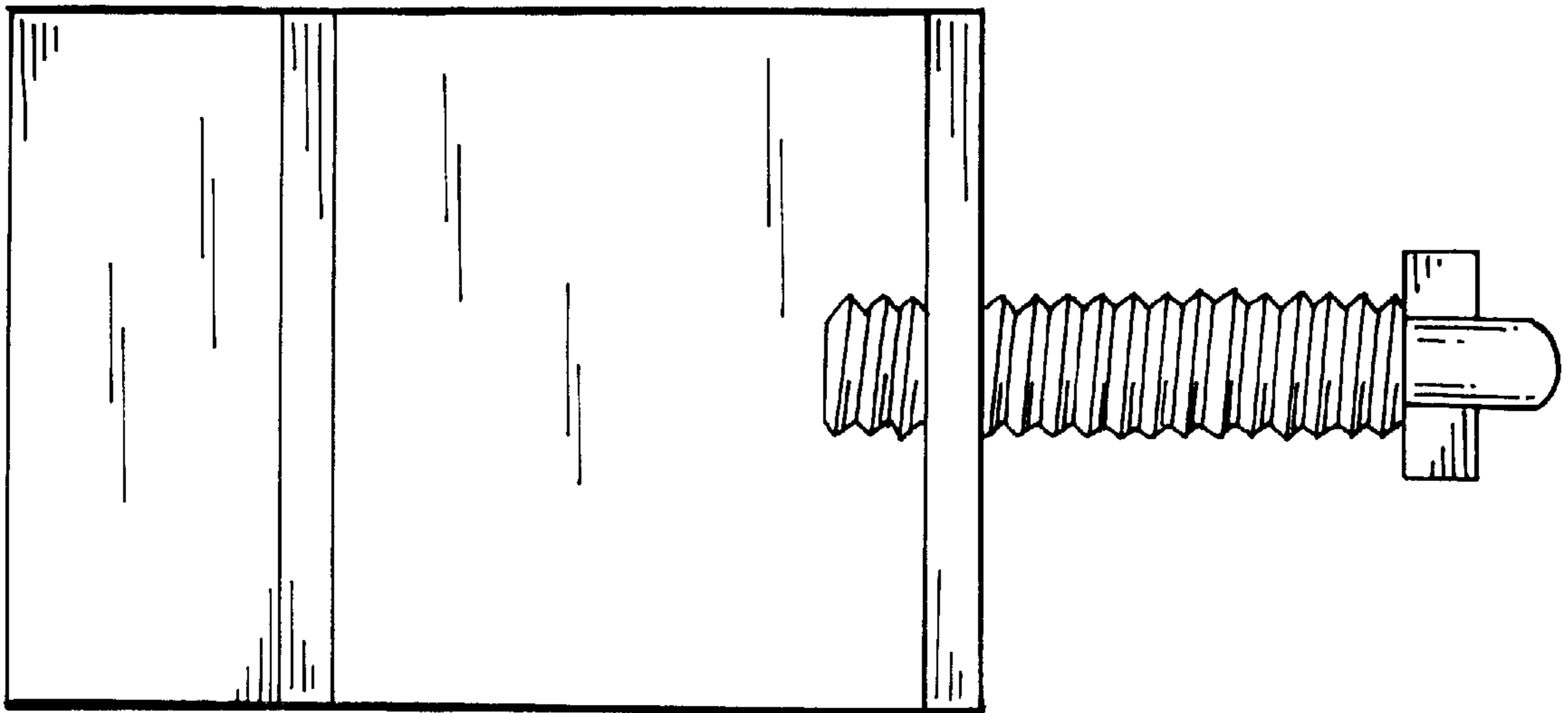


FIG.4.

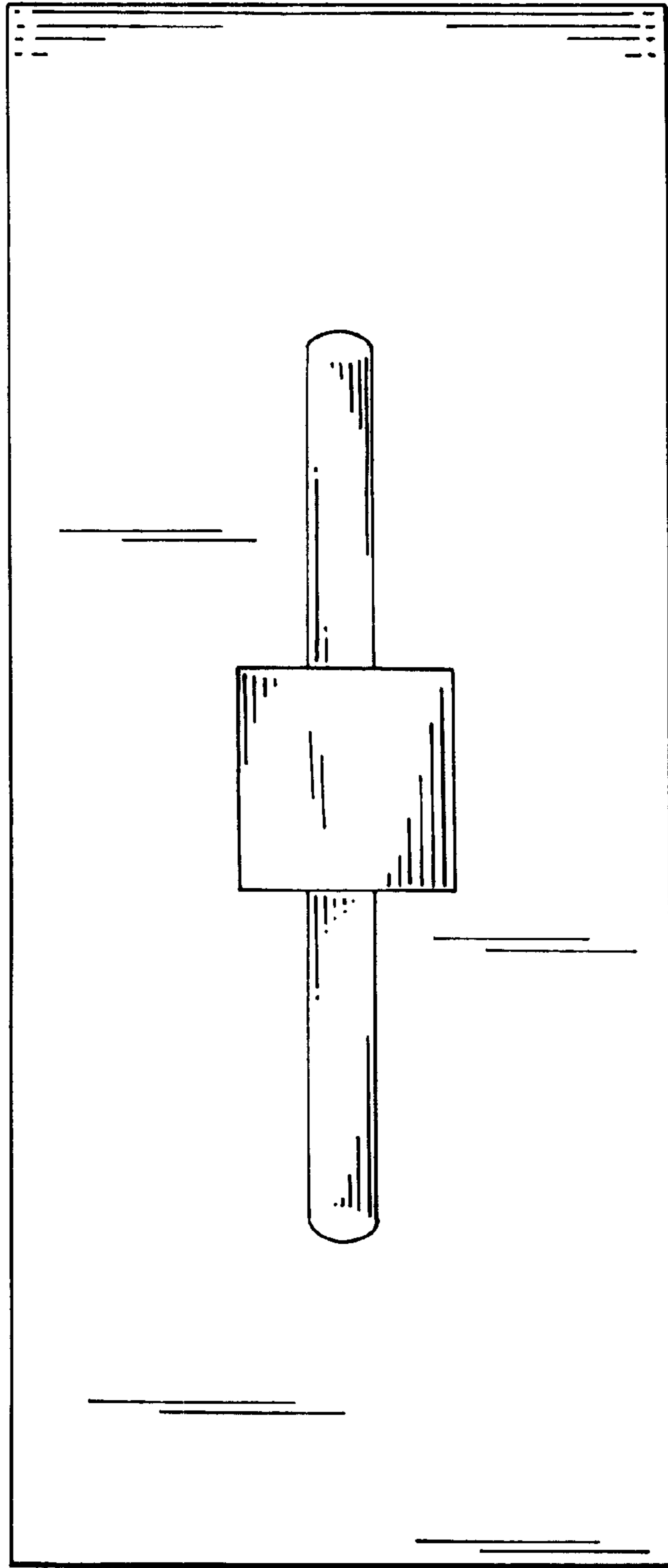


FIG.5.