



US00D409073S

United States Patent [19] Bluestone

[11] Patent Number: **Des. 409,073**

[45] Date of Patent: **** May 4, 1999**

[54] **DAMPER CLIP**

[75] Inventor: **Richard A. Bluestone**, Mayfield Heights, Ohio

[73] Assignee: **Alan Manufacturing, Inc.**, Cleveland, Ohio

[**] Term: **14 Years**

[21] Appl. No.: **29/058,404**

[22] Filed: **Aug. 14, 1996**

[51] **LOC (6) Cl.** **08-06**

[52] **U.S. Cl.** **D8/309; D8/307; D8/394**

[58] **Field of Search** **D8/307, 394, 309; D23/392; 110/163; 126/285 R, 289, 292, 293, 295**

2,596,570	5/1952	Leigh	126/295
4,491,124	1/1985	Goettel	126/293
4,646,715	3/1987	Russell	126/292

OTHER PUBLICATIONS

Central Screw Co. "Fasteneering" Cat. "L"; p. 75; Wing Nut W-440, ©1947.

Primary Examiner—B. J. Bullock
Attorney, Agent, or Firm—D. Peter Hochberg

[57] CLAIM

The ornamental design for a damper clip, as shown and described.

DESCRIPTION

FIG. 1 is a view of the top of the damper clip embodying my invention;
FIG. 2 is a view of one side of the damper clip;
FIG. 3 is a view of a second side of the damper clip;
FIG. 4 is a view of the bottom of the damper clip;
FIG. 5 is a view of one end of the damper clip; and,
FIG. 6 is a view of the second end of the damper clip.

[56] References Cited

U.S. PATENT DOCUMENTS

2,123,998	7/1938	Koch	126/295
2,263,080	11/1941	Fossum	126/292
2,345,997	4/1944	Anderson .	
2,488,006	11/1949	De Roo	126/285 R

1 Claim, 3 Drawing Sheets

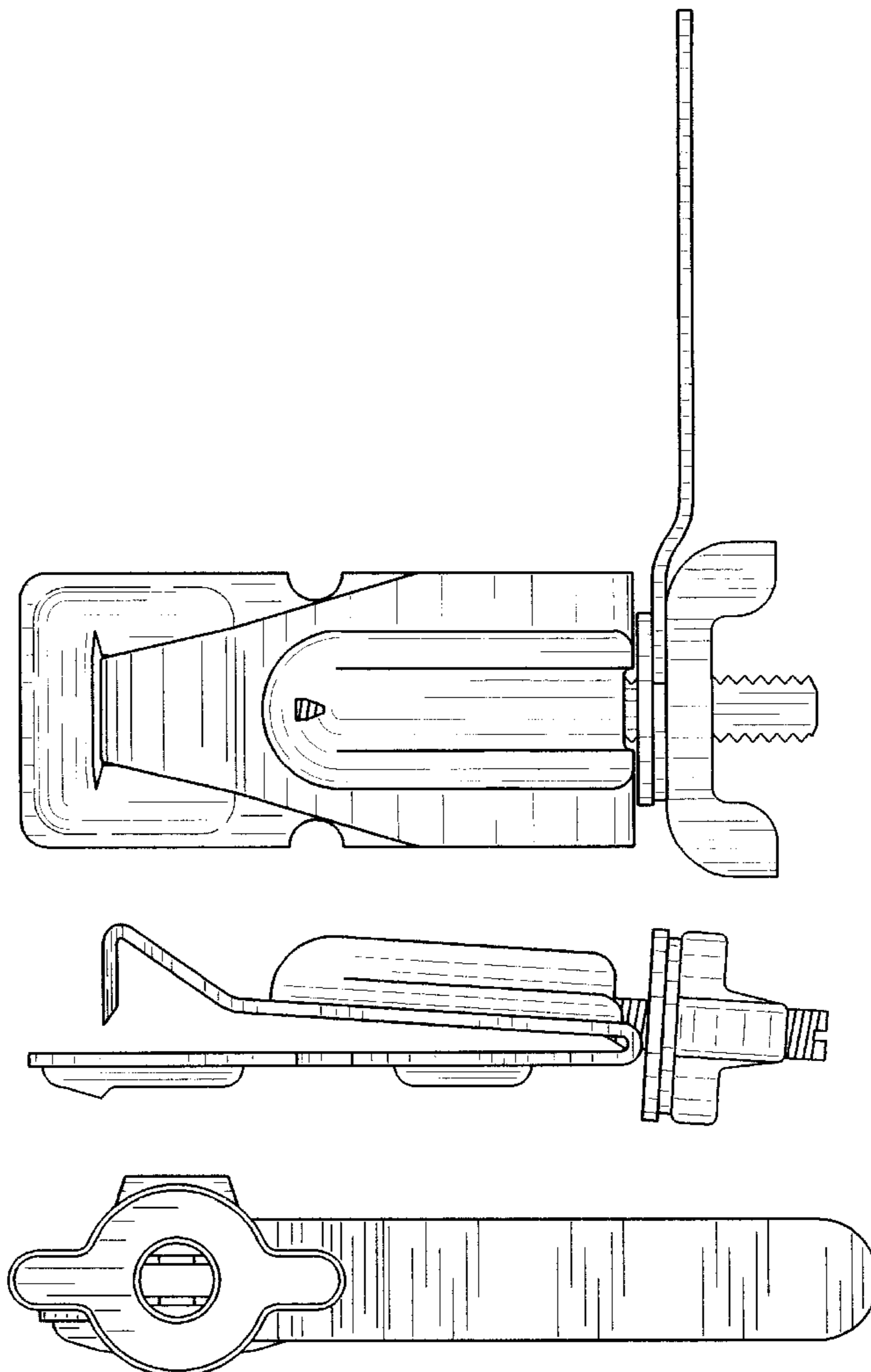


FIG. 1

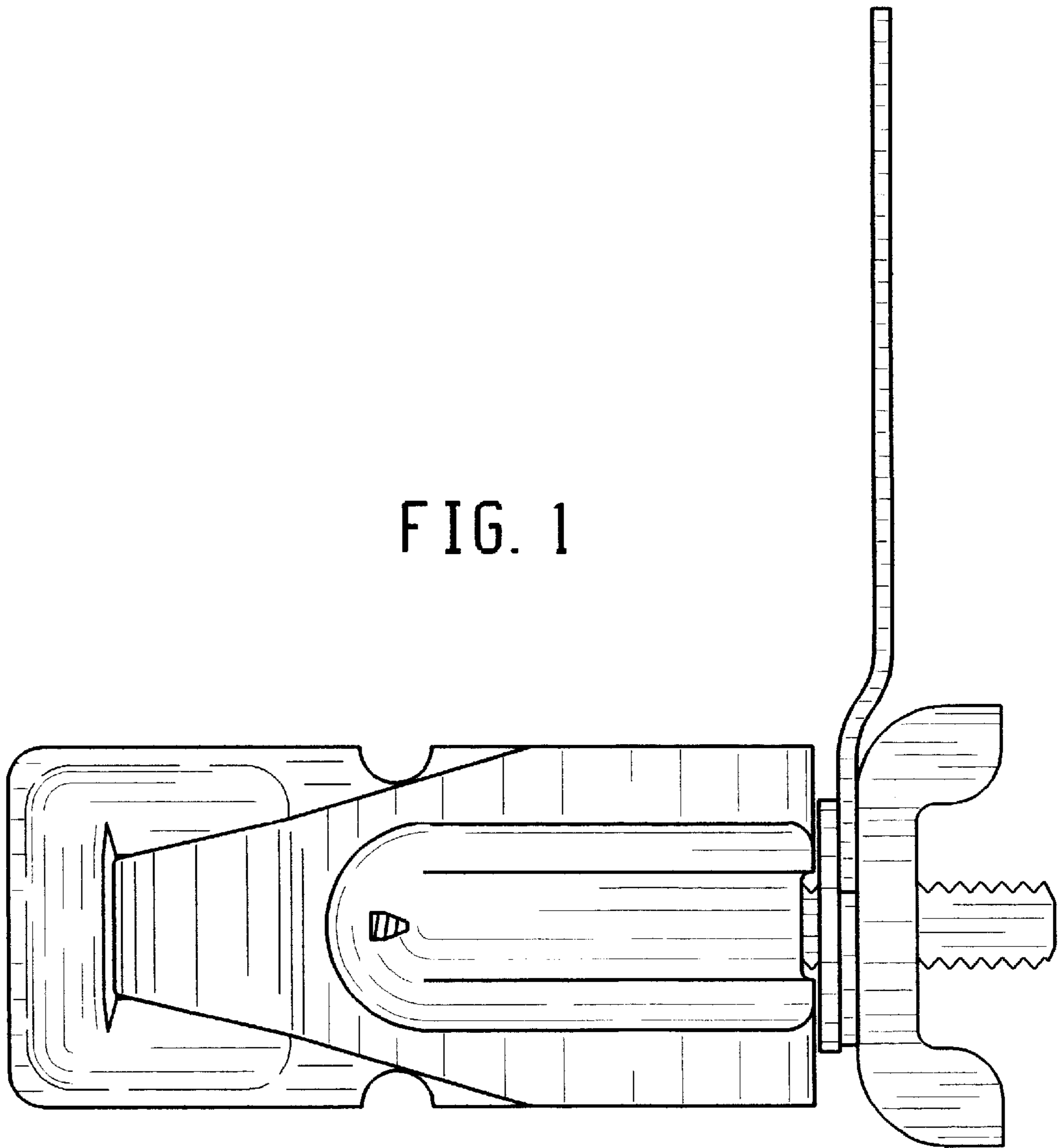
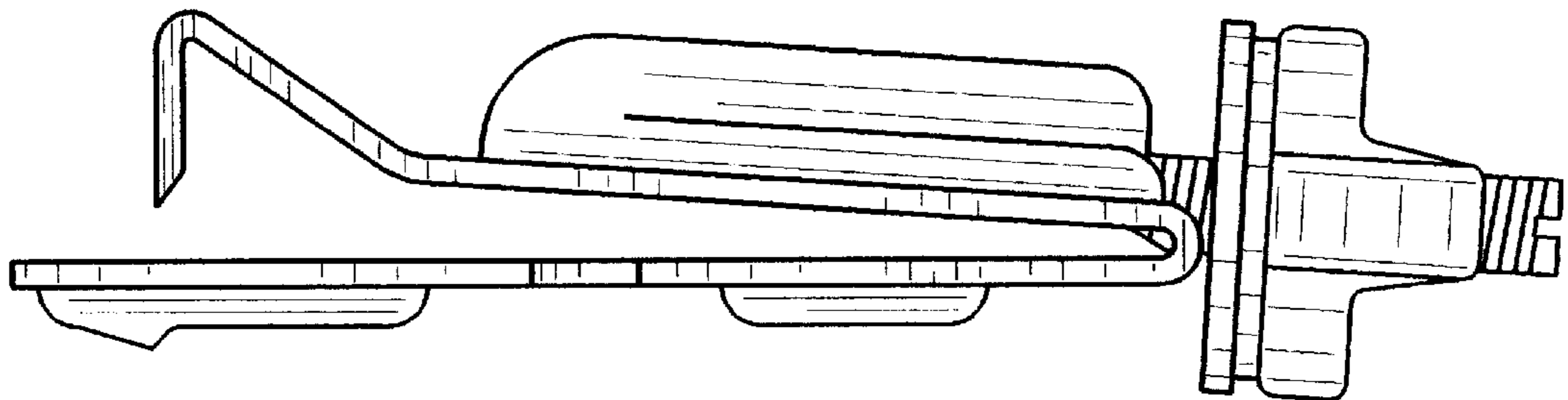


FIG. 2



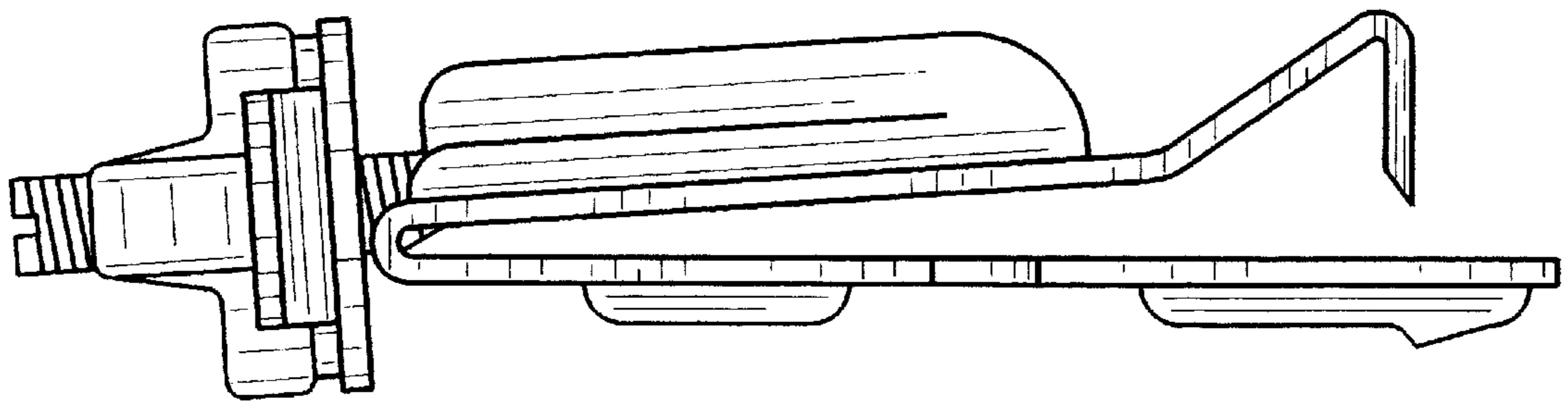


FIG. 3

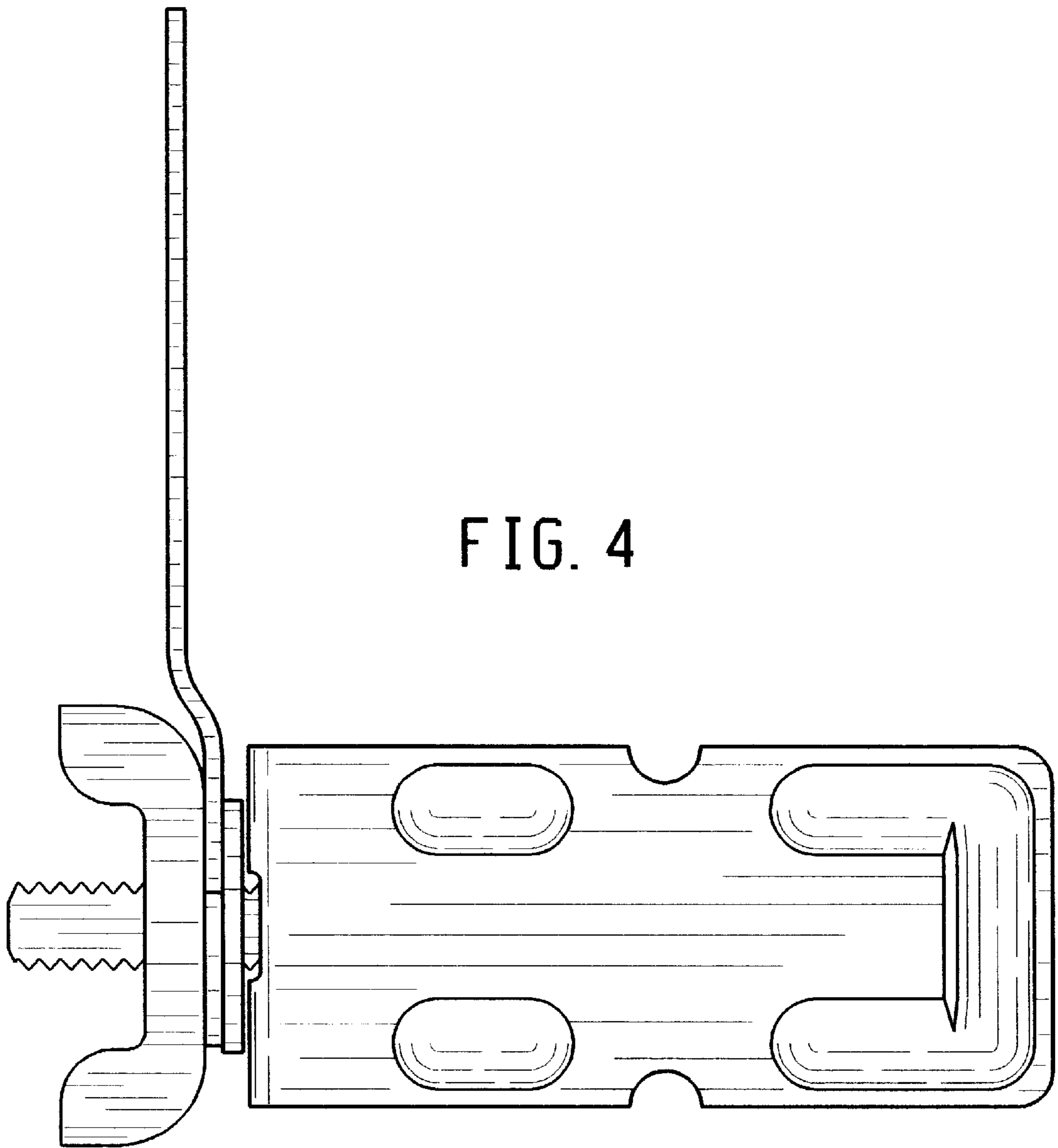


FIG. 4

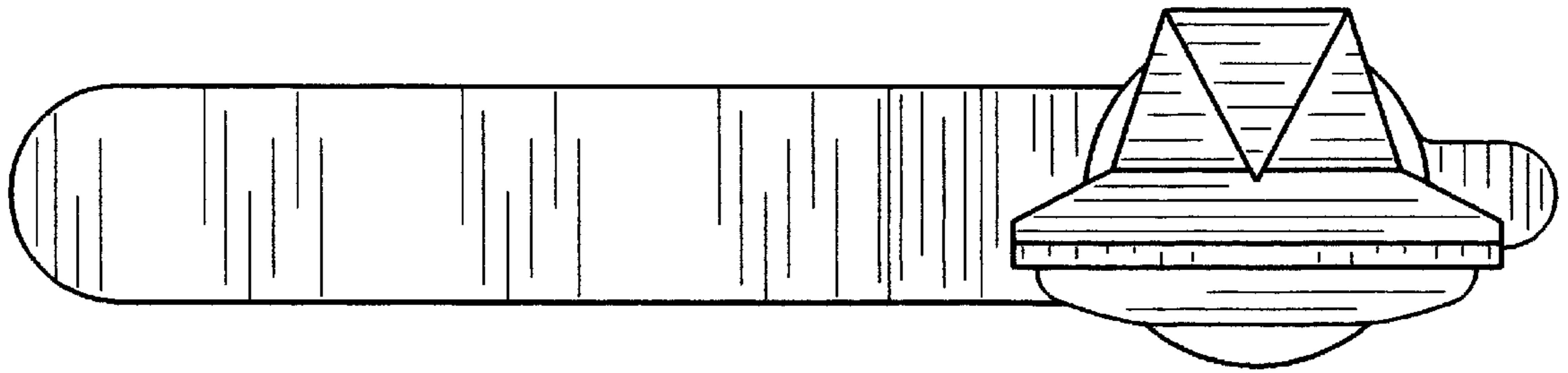


FIG. 5

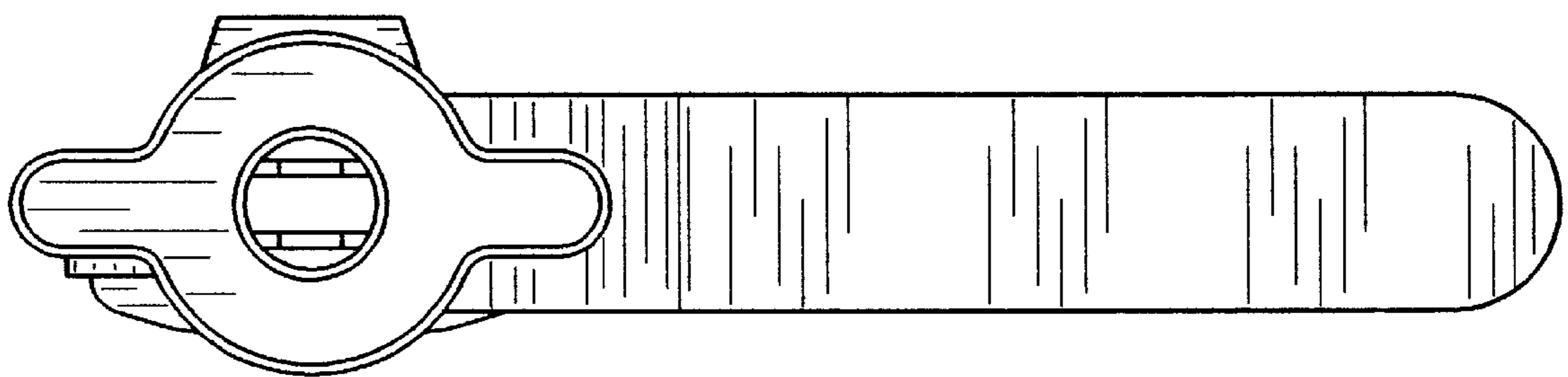


FIG. 6