



US00D409068S

# United States Patent [19] Chen

[11] **Patent Number: Des. 409,068**

[45] **Date of Patent: \*\* May 4, 1999**

[54] **TRANSPARENT TOOL HANDLE COVER**

[76] Inventor: **John Chen**, 2F-1, No. 51, Sec. 3,  
Chung Yang Rd., Lung Ching Hsiang,  
Taichung Hsien, Taiwan

[\*\*] Term: **14 Years**

[21] Appl. No.: **29/079,701**

[22] Filed: **Nov. 21, 1997**

[51] **LOC (6) Cl.** ..... **08-02**

[52] **U.S. Cl.** ..... **D8/80; D8/107**

[58] **Field of Search** ..... D8/107, 80, 75,  
D8/76, 77, 78, 79; 16/110 R, 116 R; 81/19,  
20, 21, 22

[56] **References Cited**

**U.S. PATENT DOCUMENTS**

D. 177,694	5/1956	Plumb, II et al.	.....	D8/80
D. 261,980	11/1981	Fee et al.	.....	D8/82
D. 329,796	9/1992	Olson et al.	.....	D8/83
D. 347,780	6/1994	Hreha	.....	D8/80
3,208,724	9/1965	Vaughan	.....	81/22

*Primary Examiner*—Philip S. Hyder  
*Attorney, Agent, or Firm*—Bacon & Thomas, PLLC

[57] **CLAIM**

The ornamental design for a transparent tool handle cover, as shown and described.

**DESCRIPTION**

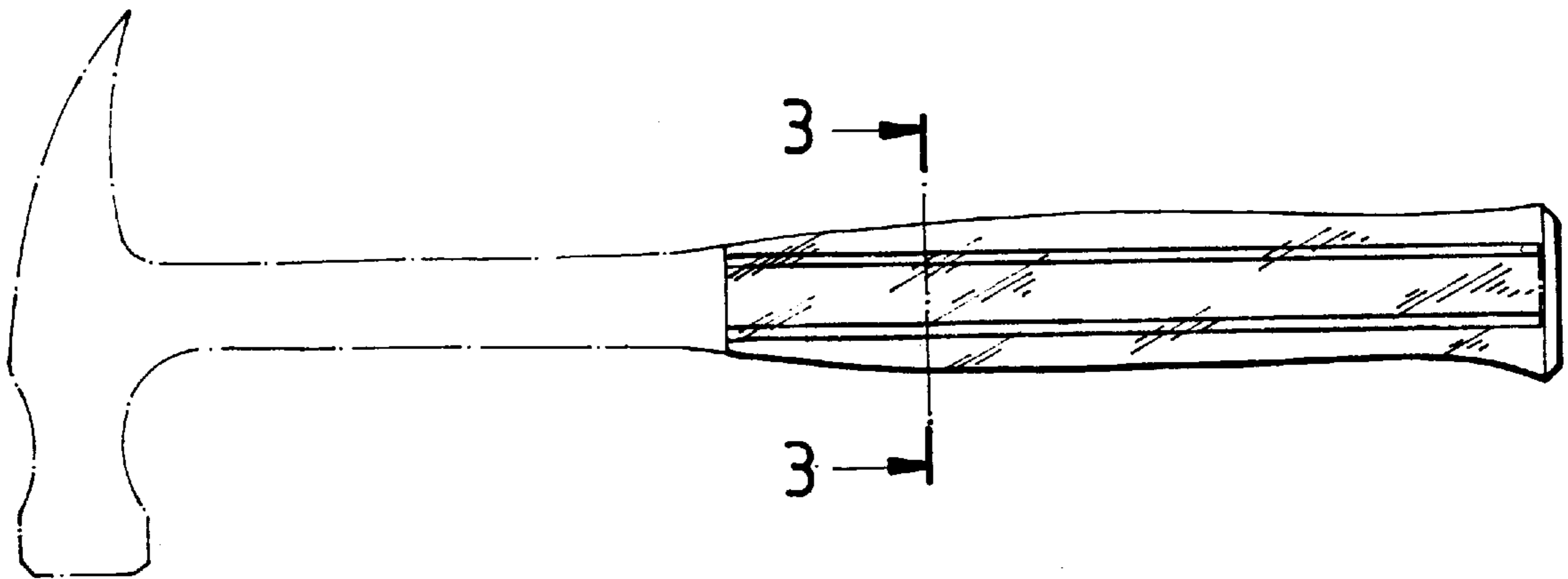
FIG. 1 is a right side elevational view of a transparent tool handle cover according to the invention, the left side elevational view being an identical mirror image thereof, wherein the broken line showings of the tool head and shaft are for illustrative purposes only and form no part of the claimed design;

FIG. 2 is a front elevational view of the transparent tool handle cover, the rear elevational view being an identical mirror image thereof, wherein the broken line showings of the tool handle and shaft are for illustrative purposes only and form no part of the claimed design;

FIG. 3 is an enlarged sectional view taken along line 3—3 of FIG. 1; and,

FIG. 4 is a bottom plan view of the transparent tool handle cover.

**1 Claim, 1 Drawing Sheet**



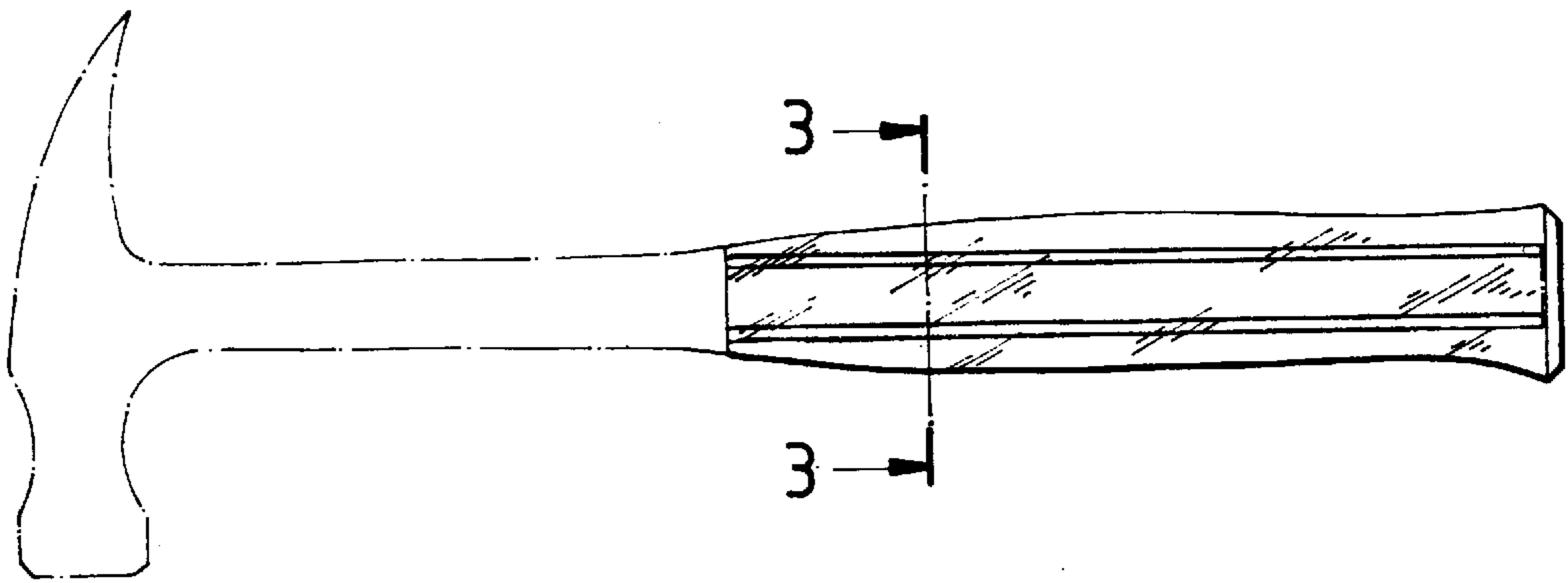


FIG. 1

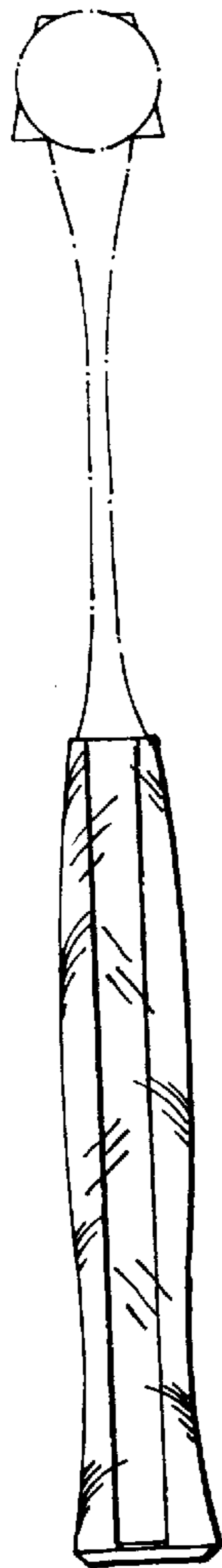


FIG. 2

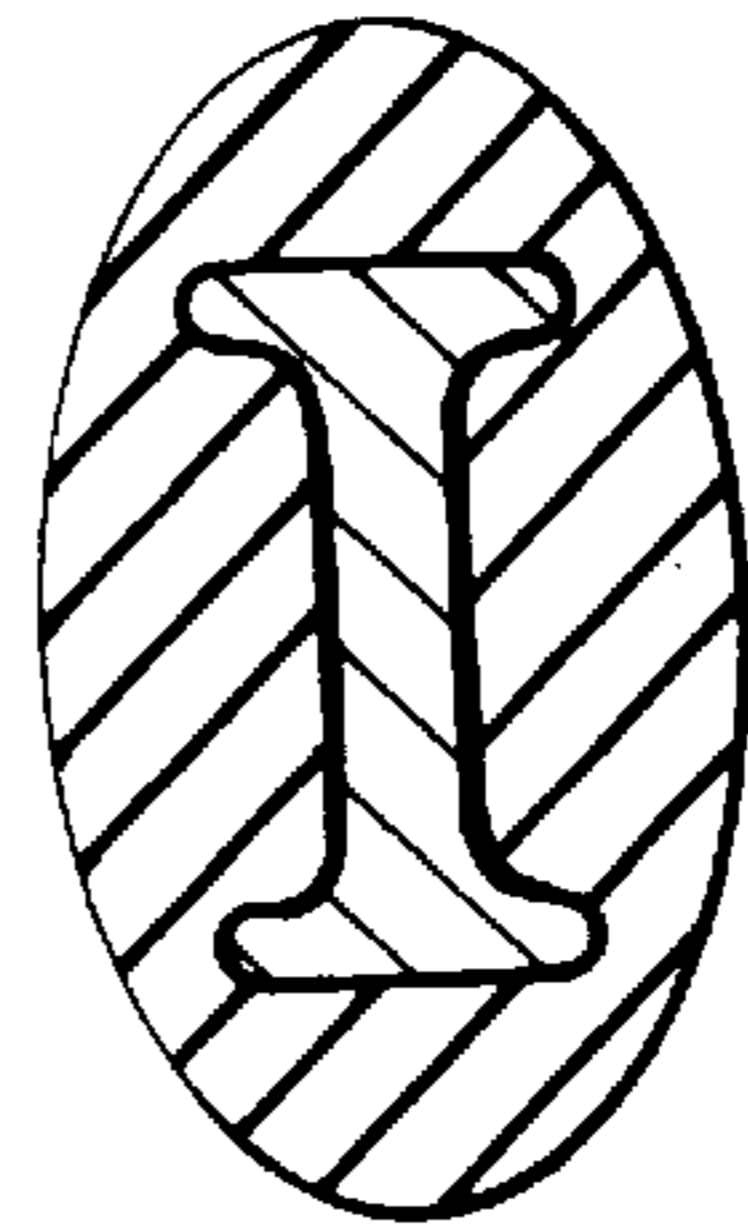


FIG. 3



FIG. 4