



US00D409066S

# United States Patent [19] Welsh

[11] Patent Number: Des. 409,066

[45] Date of Patent: \*\* May 4, 1999

[54] CHOP SAW

5,787,779 8/1998 Garuglieri ..... 83/397

[75] Inventor: Robert P. Welsh, Hunt Valley, Md.

Primary Examiner—Nelson C. Holtje  
Attorney, Agent, or Firm—Adan Ayala

[73] Assignee: Black & Decker Inc., Newark, Del.

[57] CLAIM

[\*\*] Term: 14 Years

The ornamental design for a chop saw, as shown and described.

[21] Appl. No.: 29/088,894

### DESCRIPTION

[22] Filed: Jun. 3, 1998

[51] LOC (6) Cl. .... 08-03

[52] U.S. Cl. .... D8/66

[58] Field of Search ..... D8/61, 66, 69,  
D8/68; D15/133; 83/397, 468.3, 471.1-471.3,  
477, 581

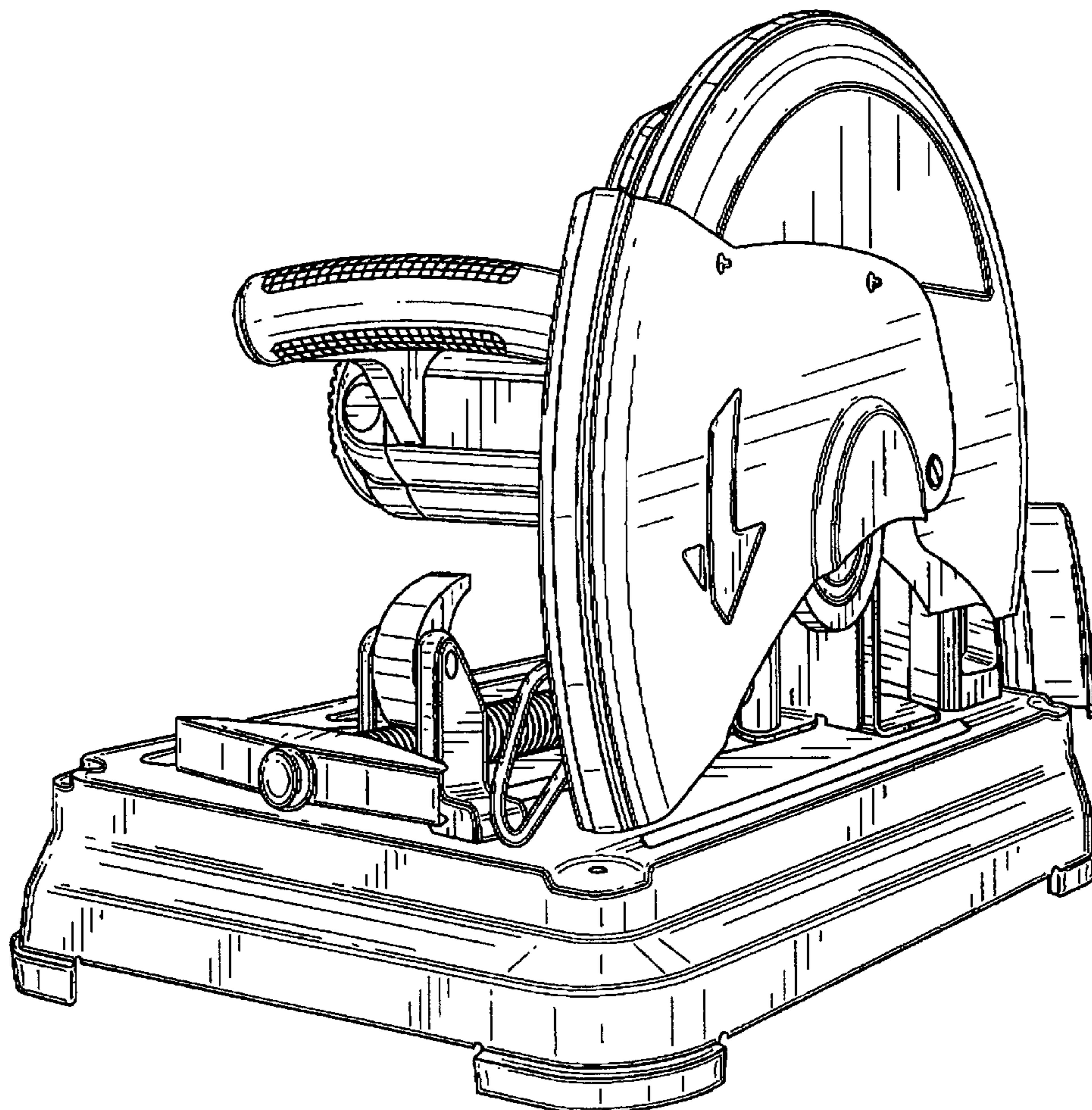
FIG. 1 is a perspective view of a chop saw, constituting a first embodiment of my new design;  
FIG. 2 is a right elevational view of the first embodiment;  
FIG. 3 is a left elevational view of the first embodiment;  
FIG. 4 is a front elevational view of the first embodiment;  
FIG. 5 is a rear elevation view of the first embodiment;  
FIG. 6 is a top plan view of the first embodiment;  
FIG. 7 is a perspective view of a chop saw with a blade installed thereon and constituting a second embodiment of my new design;  
FIG. 8 is a right elevational view of the second embodiment;  
FIG. 9 is a left elevational view of the second embodiment;  
and,  
FIG. 10 is a front elevational view of the second embodiment.

### [56] References Cited

#### U.S. PATENT DOCUMENTS

3,827,325	8/1974	Ward	83/471.2	X
3,998,121	12/1976	Bennett	83/471.3	
4,774,866	10/1988	Dehari	83/397	X
4,799,416	1/1989	Kumasaki	83/397	
5,016,510	5/1991	Gardner	83/471.2	
5,199,343	4/1993	O'Banion	83/397	
5,495,784	3/1996	Chen	83/471.2	
5,720,096	2/1998	Dorsey	83/471.2	X

1 Claim, 10 Drawing Sheets



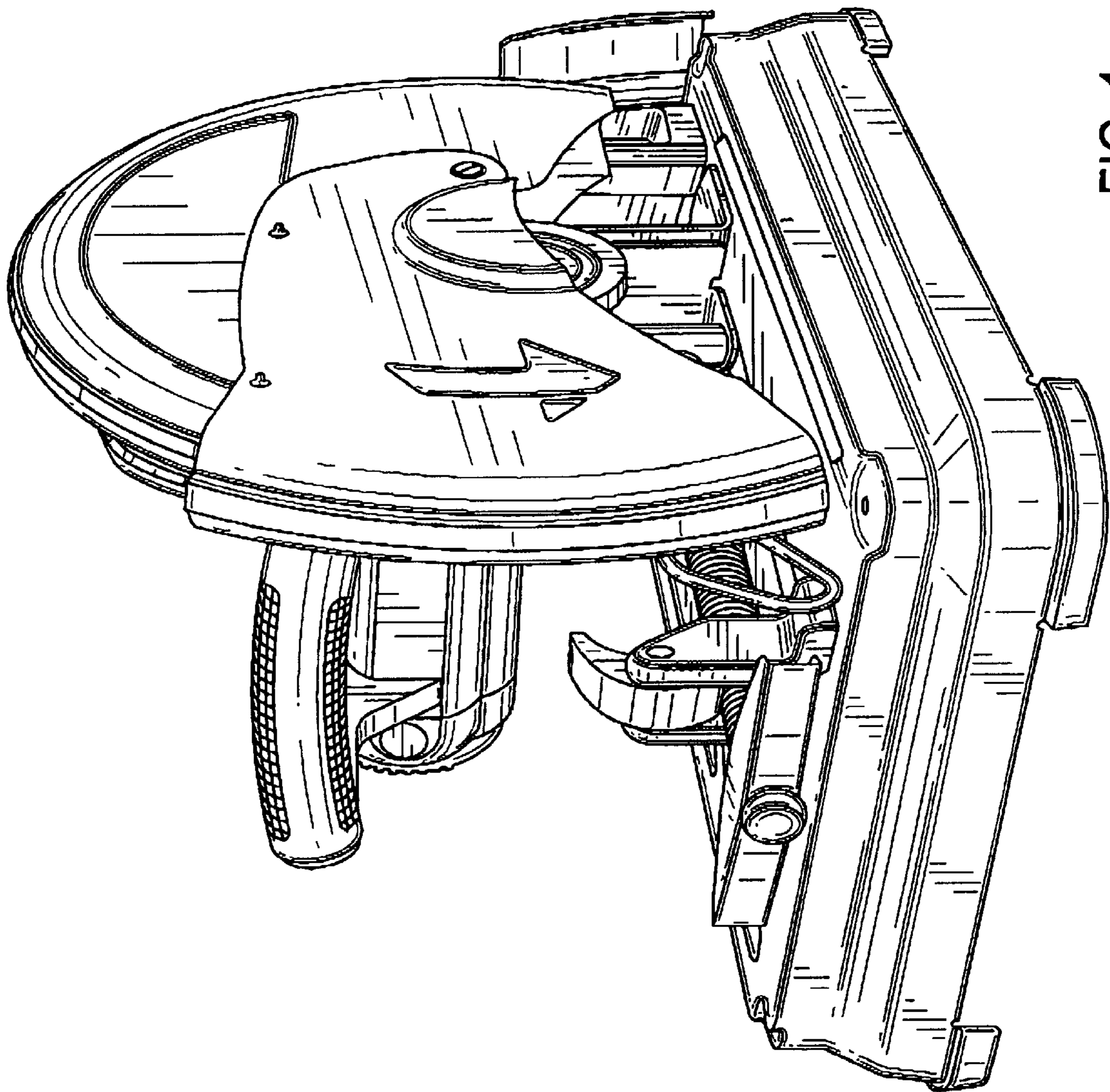


FIG. 1

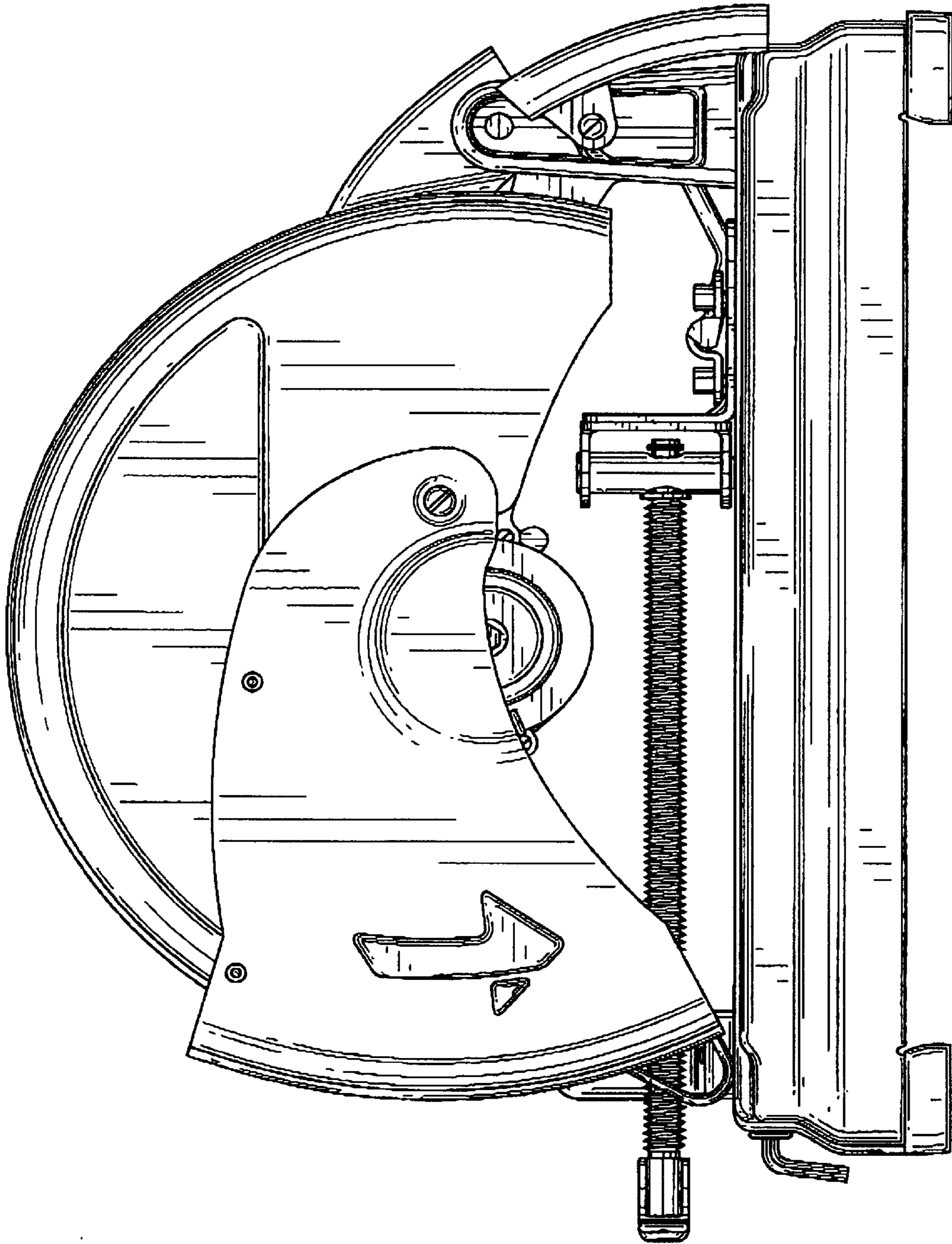


FIG. 2

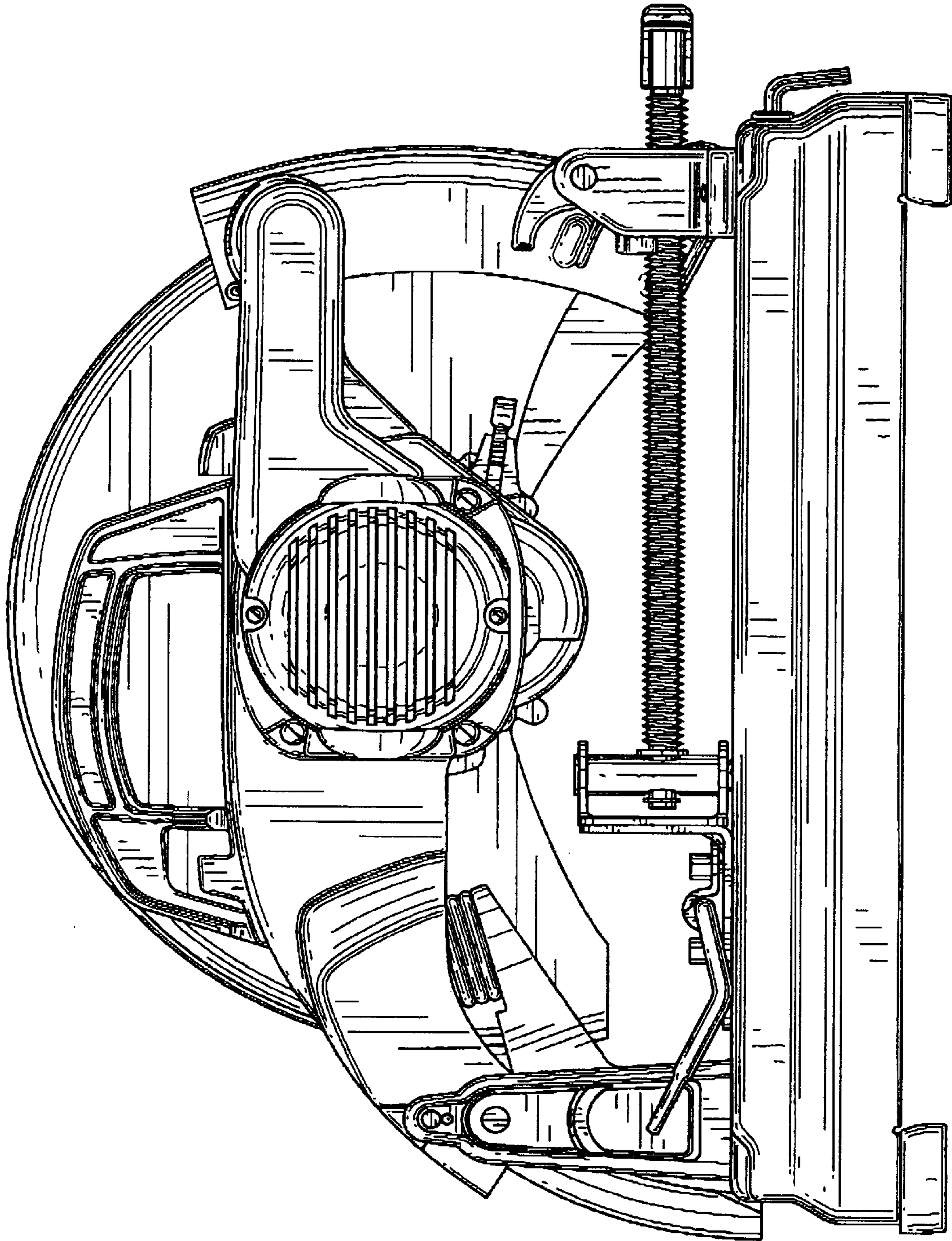


FIG. 3

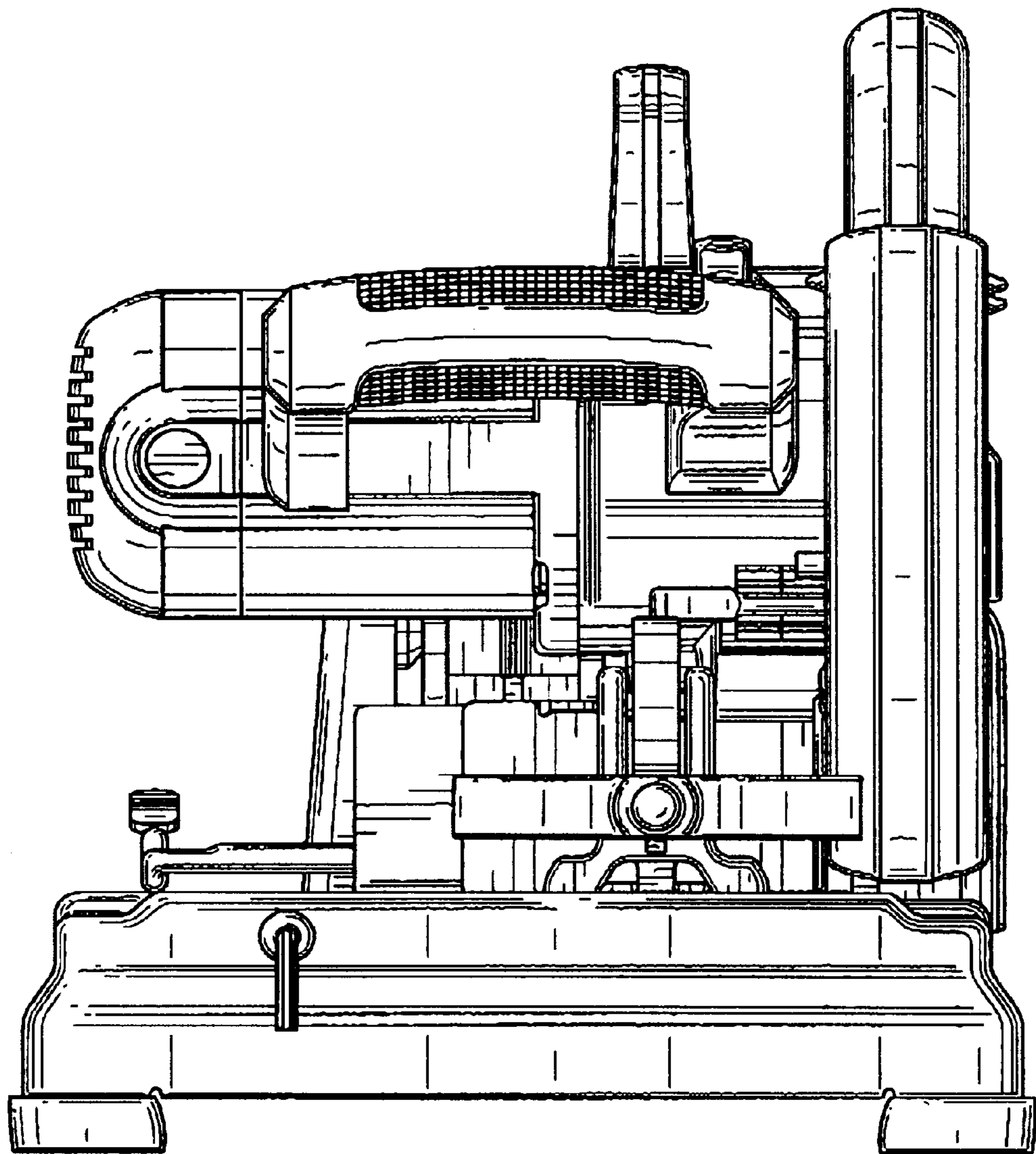


FIG. 4

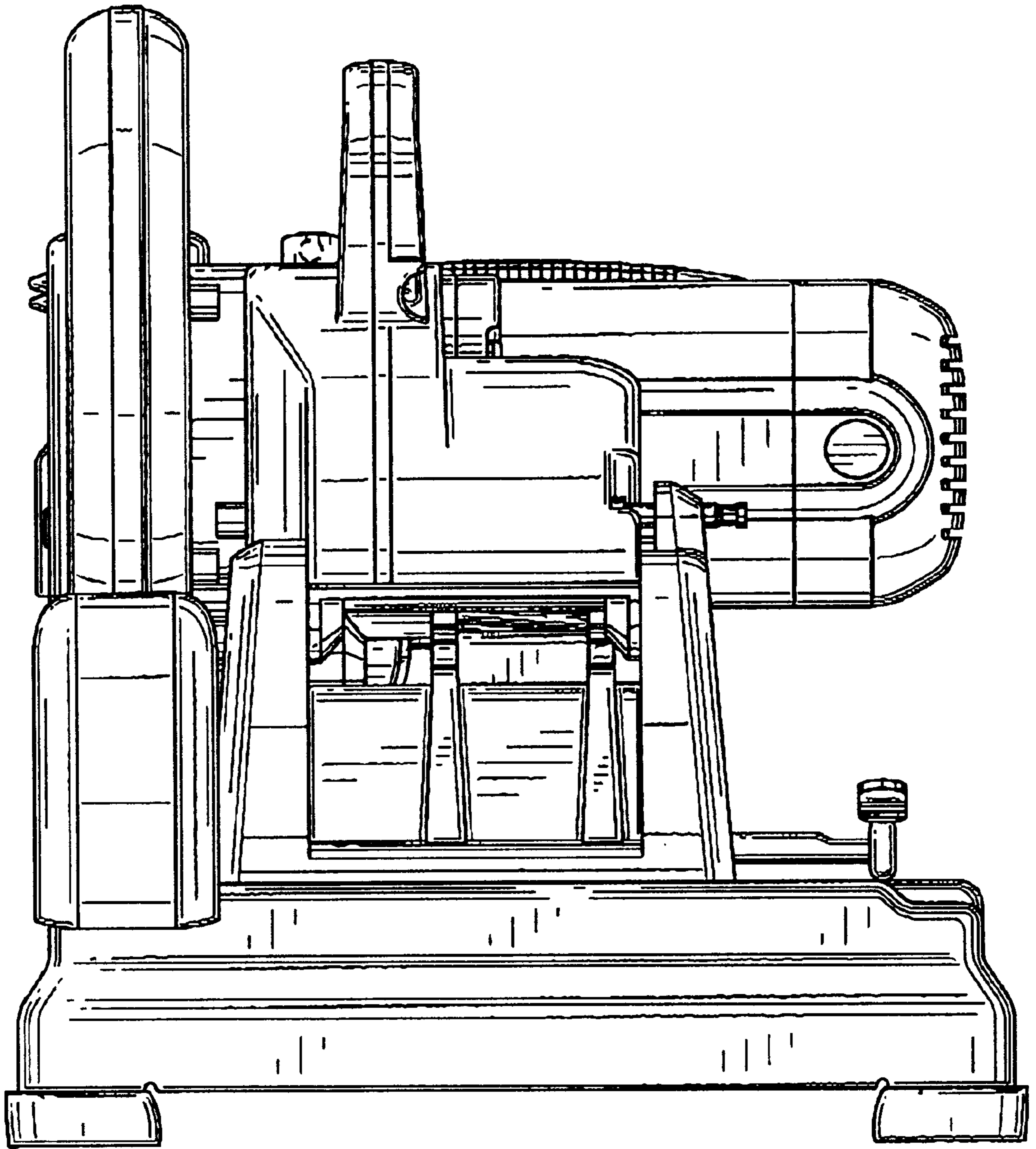


FIG. 5

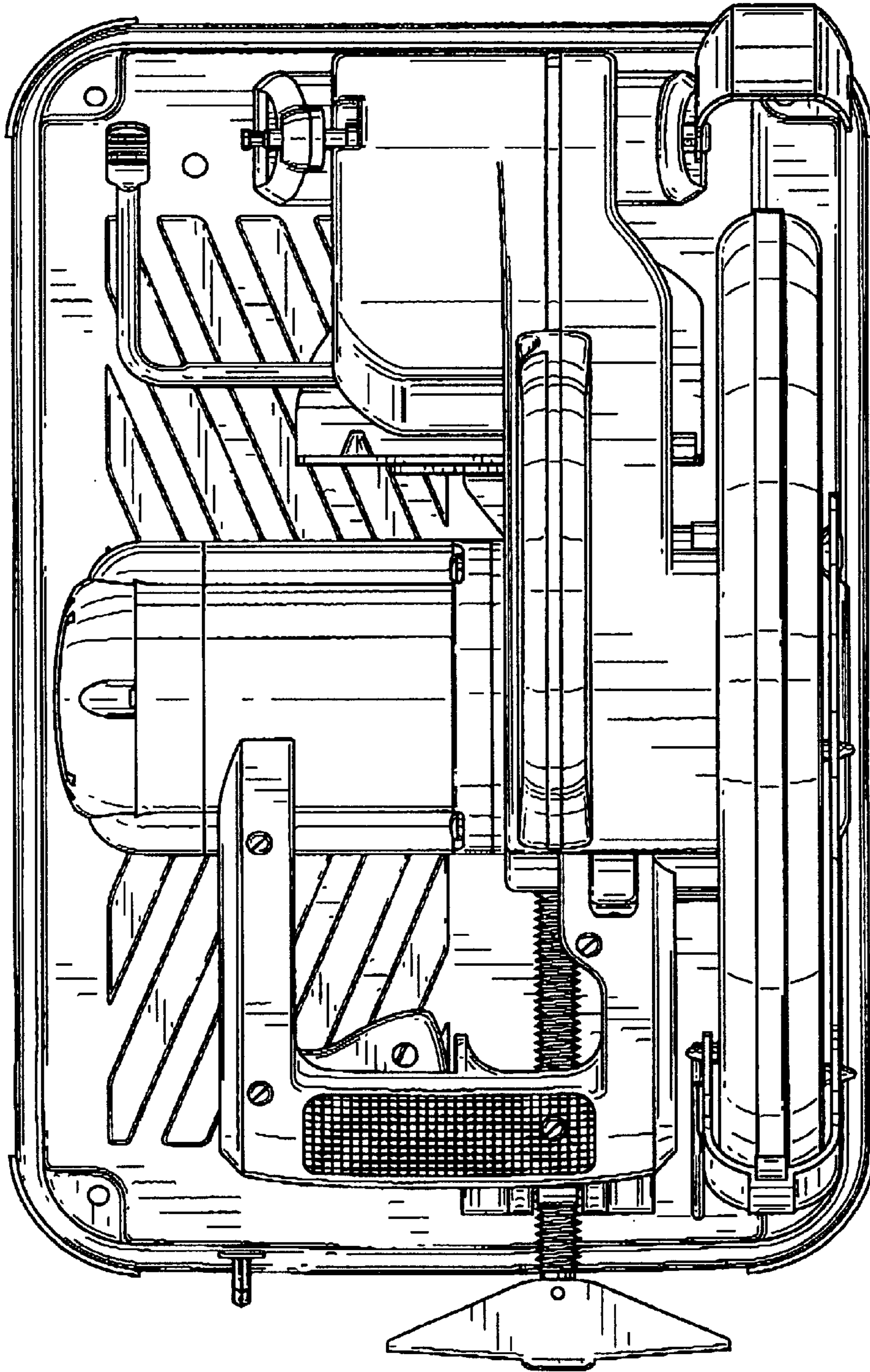


FIG. 6

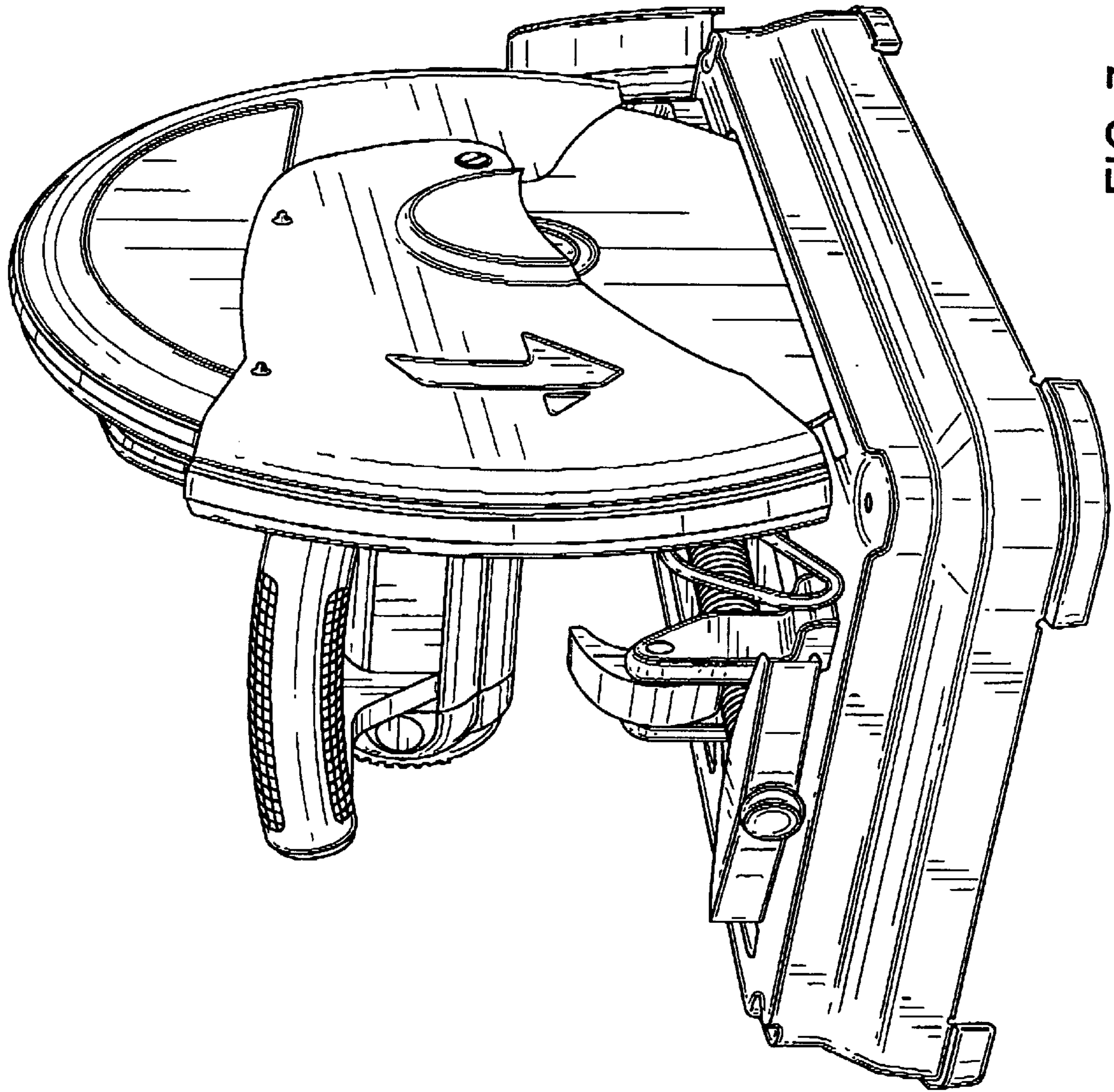


FIG. 7



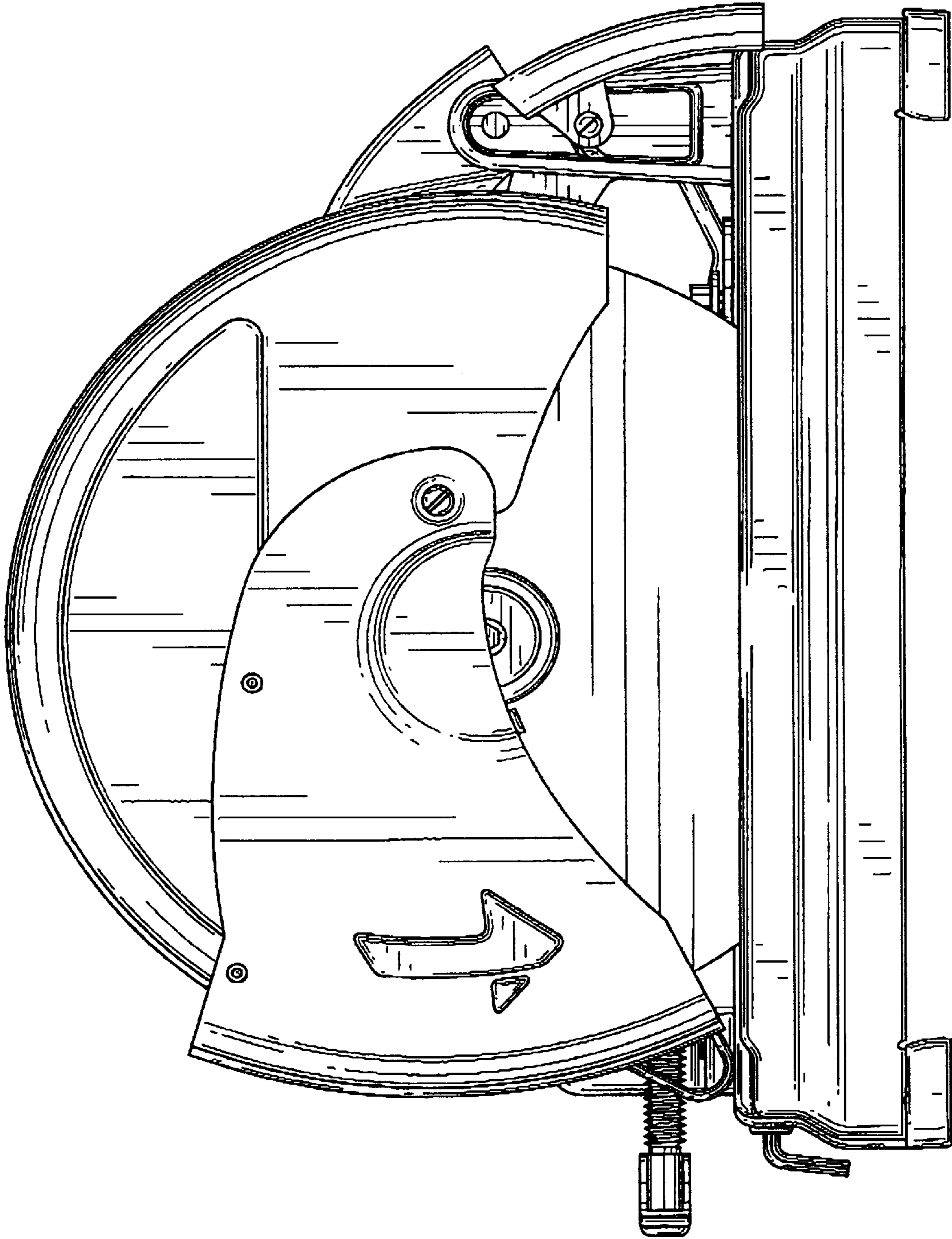


FIG. 8

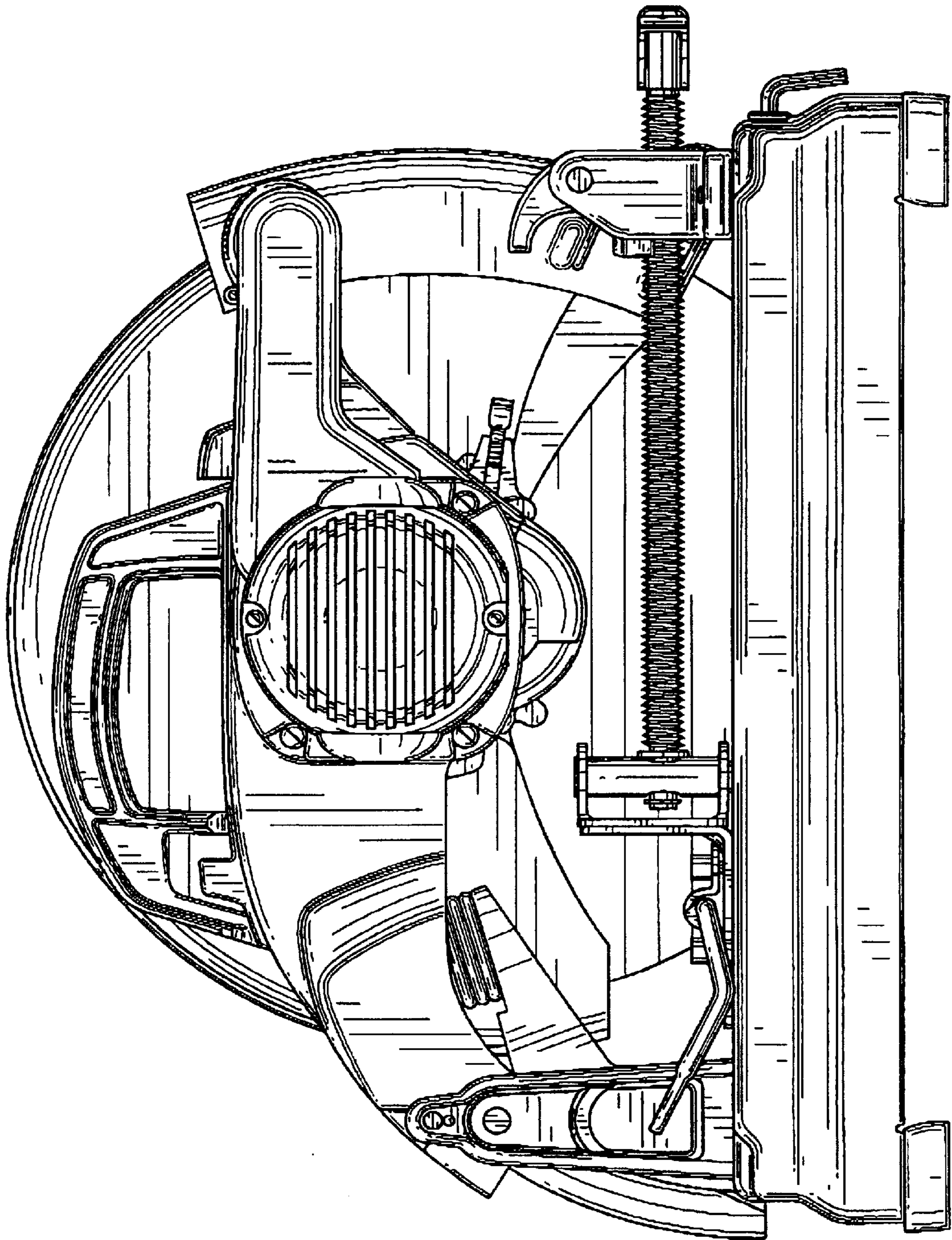


FIG. 9

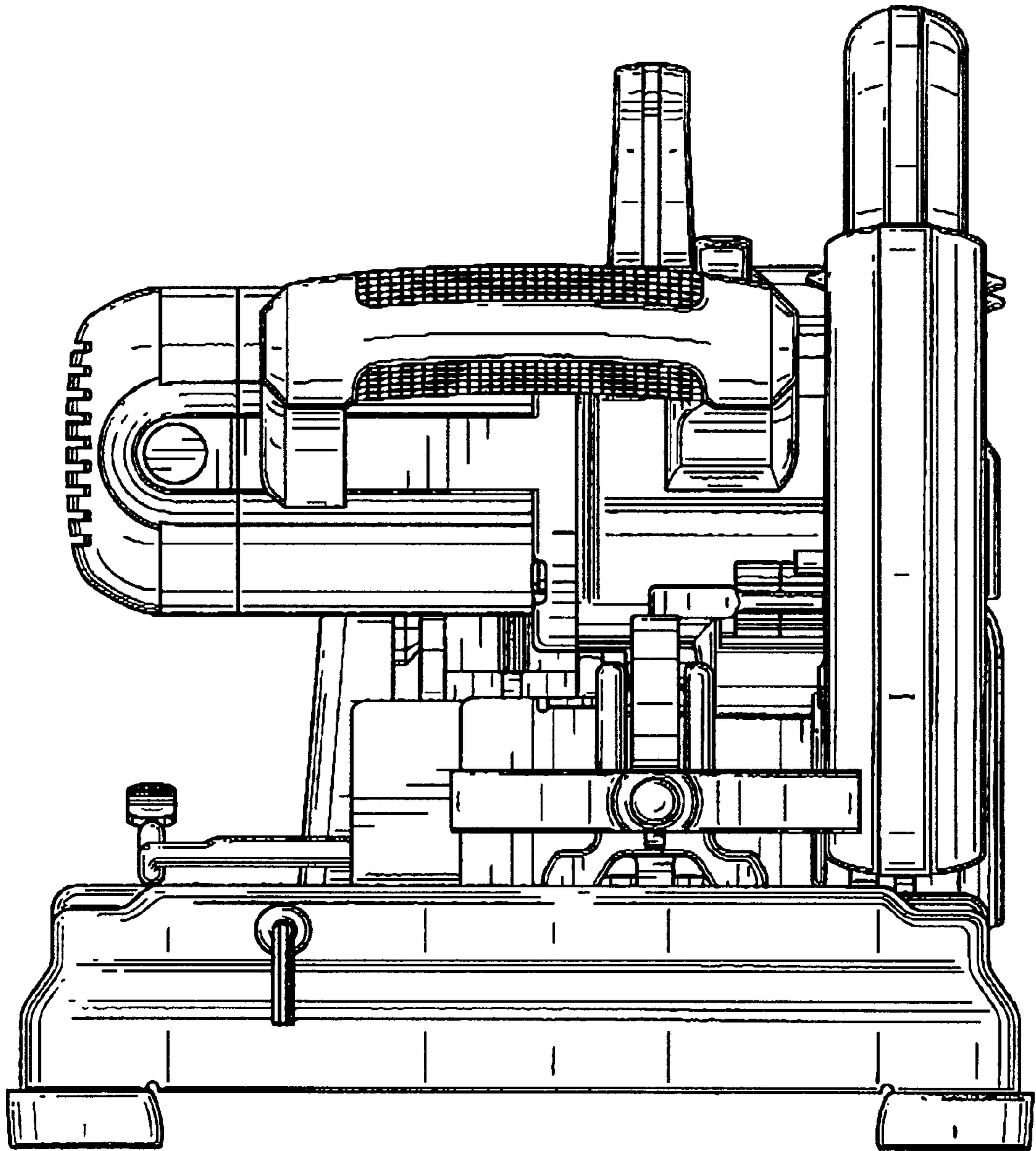


FIG. 10