



US00D409062S

United States Patent [19] Braley

[11] **Patent Number: Des. 409,062**

[45] **Date of Patent: ** May 4, 1999**

[54] **SOCKET DRIVER**

2,103,944 12/1937 Gullborg 81/121.1
4,938,106 7/1990 Roberts 81/55
5,009,133 4/1991 Carey 81/121.1 X

[76] Inventor: **Tremaine B Braley**, P.O. Box 1243,
Hartsville, S.C. 29550

[**] Term: **14 Years**

Primary Examiner—Ted Shooman
Assistant Examiner—Richelle Shelton

[21] Appl. No.: **29/086,968**

[57] **CLAIM**

[22] Filed: **Apr. 23, 1998**

The ornamental design for a socket driver, as shown.

[51] **LOC (6) Cl.** **08-05**

DESCRIPTION

[52] **U.S. Cl.** **D8/29; D8/82**

FIG. 1 is a front elevational view of the socket driver of the present invention;

[58] **Field of Search** D8/14, 21-29,
D8/86, 82; 81/121.1, 124.6, 125, 13, 55,
119

FIG. 2 is a back elevational view of the socket driver of FIG. 1;

FIG. 3 is a left side elevational view of the socket driver of FIG. 1;

[56] **References Cited**

U.S. PATENT DOCUMENTS

D. 248,615 7/1978 Grabovac D8/82
D. 290,581 6/1987 Hughes D8/21 X
D. 396,623 8/1998 Eidsmoe D8/86
1,590,200 6/1926 McGuckin 81/121.1 X

FIG. 4 is a right side elevational view of the socket driver of FIG. 1;

FIG. 5 is a top plan view of the socket driver of FIG. 1; and,
FIG. 6 is a bottom plan view of the socket driver of FIG. 1.

1 Claim, 3 Drawing Sheets

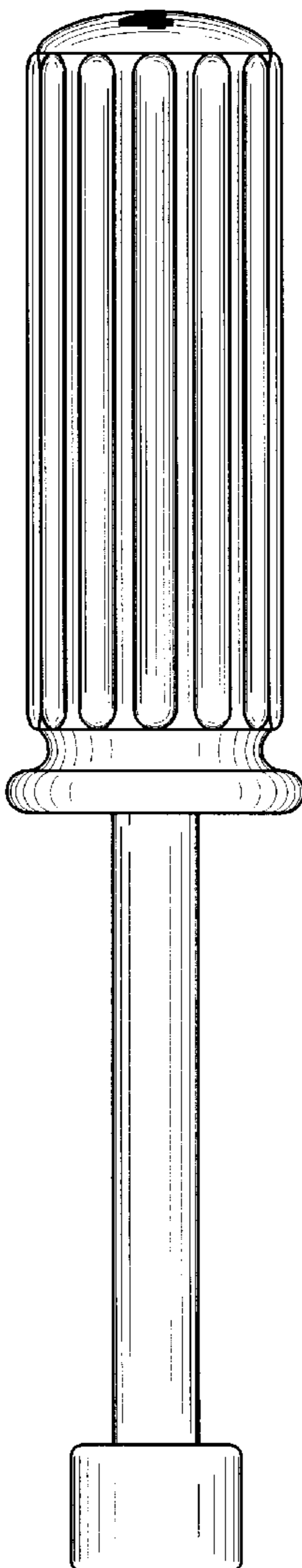


FIG. 1

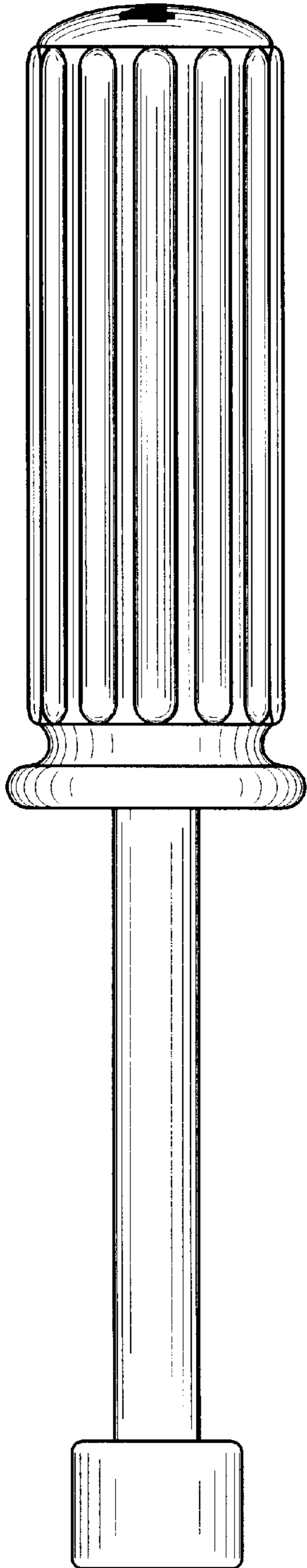


FIG. 2

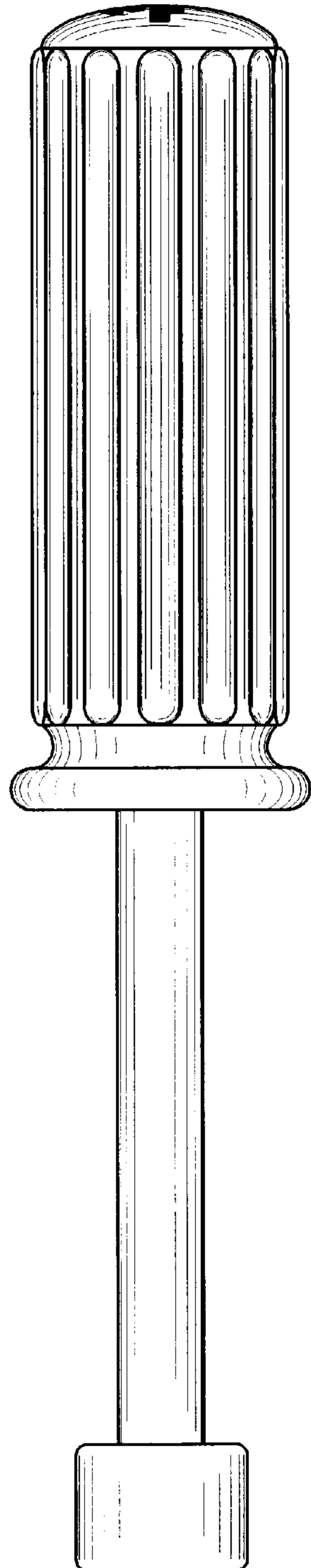


FIG. 3

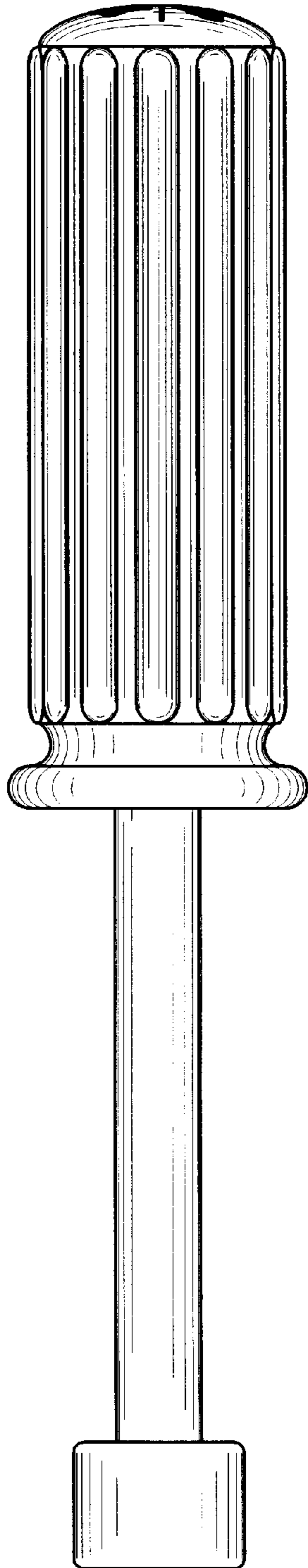


FIG. 4

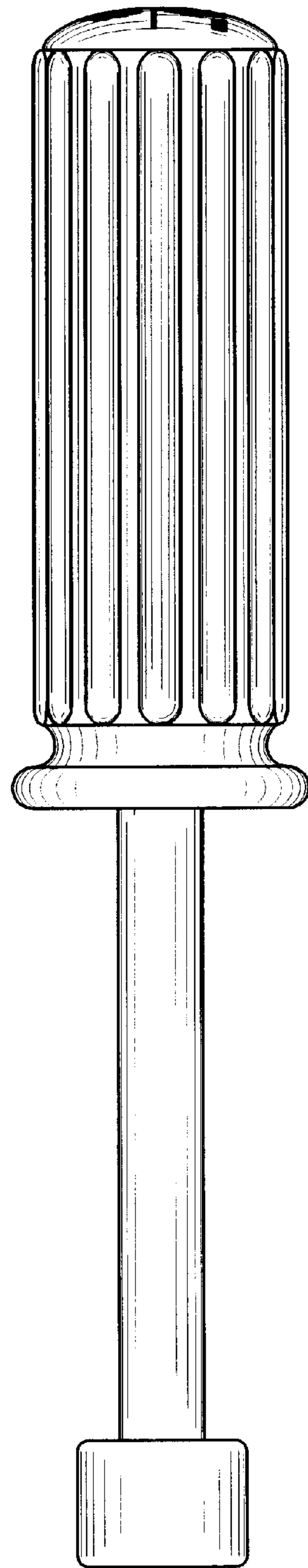


FIG. 5

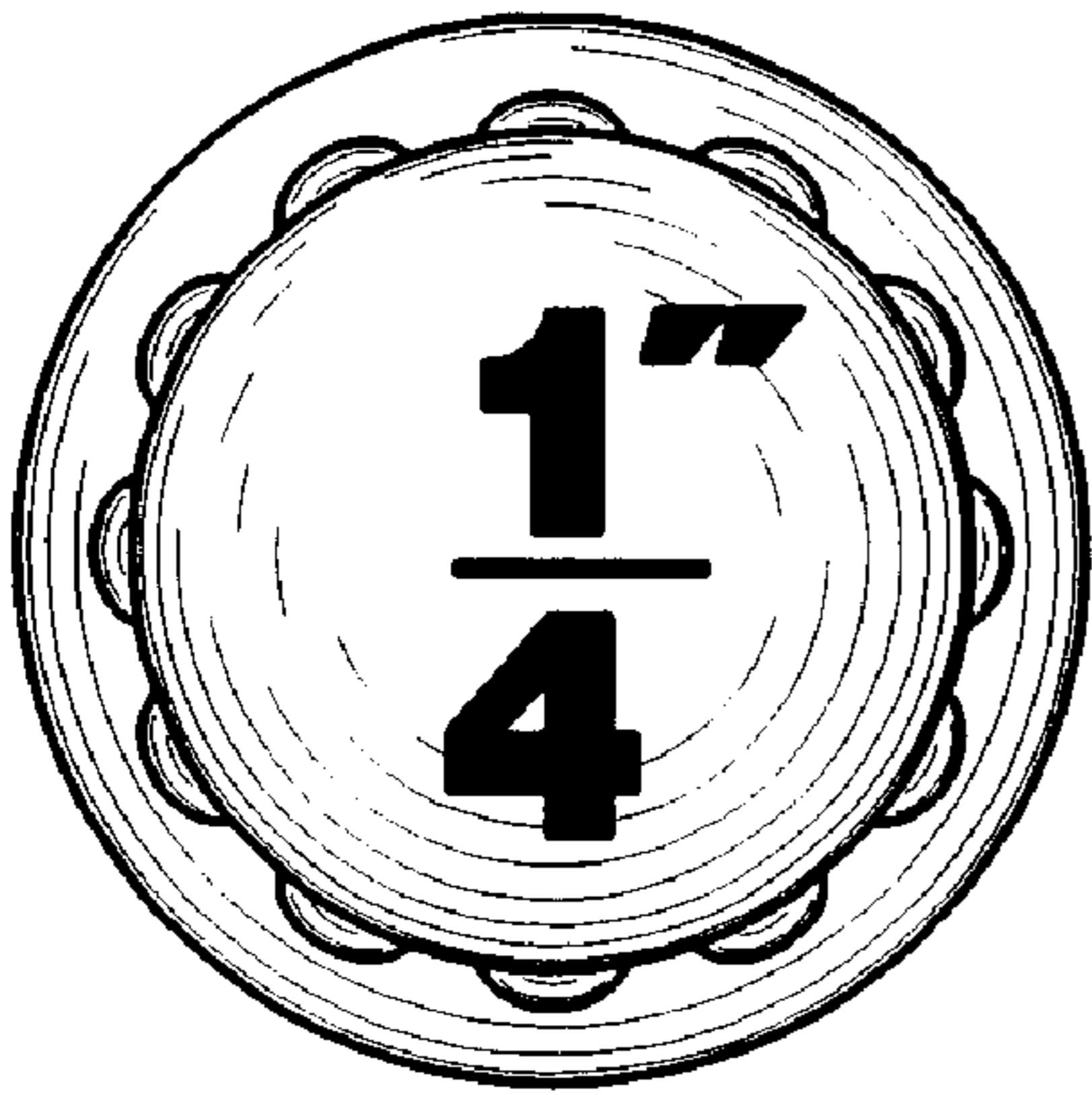


FIG. 6

