



US00D409060S

# United States Patent [19] Lucy

[11] **Patent Number: Des. 409,060**

[45] **Date of Patent: \*\* May 4, 1999**

[54] **CROSS-BAR TORQUE WRENCH**  
[76] Inventor: **Patrick C. Lucy**, 42244 N. Spur-Cross,  
Cave Creek, Ariz. 85331  
[\*\*] Term: **14 Years**  
[21] Appl. No.: **29/074,792**  
[22] Filed: **Aug. 7, 1997**

3,307,437 3/1967 Sontag ..... 81/124.4  
3,491,839 1/1970 McIntire ..... 173/93.6  
3,649,976 3/1972 Isom .  
3,832,917 9/1974 Feith ..... 81/53  
4,070,931 1/1978 Florko, Jr. .... 81/177  
4,249,435 2/1981 Villeneuve ..... 81/477  
4,563,923 1/1986 McDonald ..... 81/466  
4,628,776 12/1986 Witbeck ..... 81/466  
4,759,242 7/1988 Andersson ..... 81/466  
4,939,960 7/1990 Kinzli ..... 81/124.4  
5,095,784 3/1992 Garver ..... 81/466

### Related U.S. Application Data

[62] Division of application No. 08/626,760, Apr. 2, 1996, abandoned.  
[51] **LOC (6) Cl.** ..... **08-05**  
[52] **U.S. Cl.** ..... **D8/24**  
[58] **Field of Search** ..... 81/124.4, 124.7,  
81/177.5; D8/21-29, 31

### FOREIGN PATENT DOCUMENTS

1014148 12/1965 United Kingdom ..... 81/124.7

*Primary Examiner*—Ted Shooman  
*Assistant Examiner*—Richelle Shelton  
*Attorney, Agent, or Firm*—Steven Lin

### References Cited

#### U.S. PATENT DOCUMENTS

D. 218,140 7/1970 Johannsen ..... D8/29  
1,131,225 3/1915 Farkell .  
2,160,622 5/1939 Olson et al. .  
2,279,118 4/1942 Fortune et al. .  
2,447,919 8/1948 Teigen ..... 248/352  
2,465,152 3/1949 Ellison ..... 81/177.5 X  
2,627,330 2/1953 Gantz ..... 192/43.1  
2,719,445 10/1955 Giebler ..... 81/177.5 X  
2,793,551 5/1957 Ford ..... 81/52.3  
2,960,895 11/1960 Richards ..... 81/53  
3,069,945 12/1962 Shandel ..... 81/53  
3,158,050 11/1964 Shandel ..... 81/52.3  
3,203,283 8/1965 Newman ..... 81/52.3

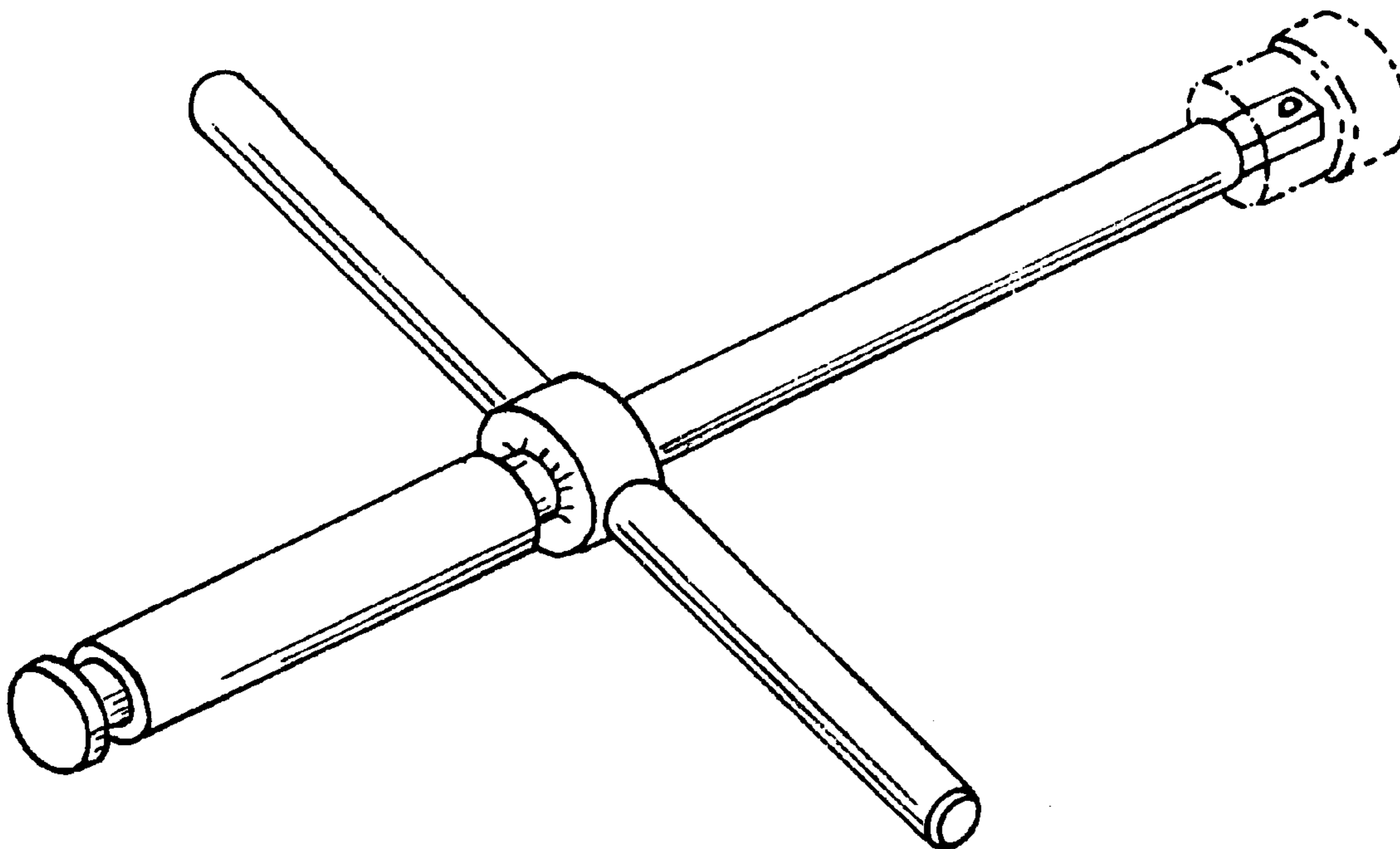
### [57] CLAIM

The ornamental design for a cross-bar torque wrench, as shown and described.

### DESCRIPTION

FIG. 1 is a front top perspective view of a cross-bar torque wrench showing my new design;  
FIG. 2 is an exploded front top perspective view thereof; and,  
FIG. 3 is a reduced top plan view thereof, the bottom plan view with the exception of the detent is identical, and the rear surfaces not shown are flat.  
The socket wrench component shown in broken lines in FIG. 1 is for illustrative purposes only and forms no part of the claimed design.

**1 Claim, 1 Drawing Sheet**



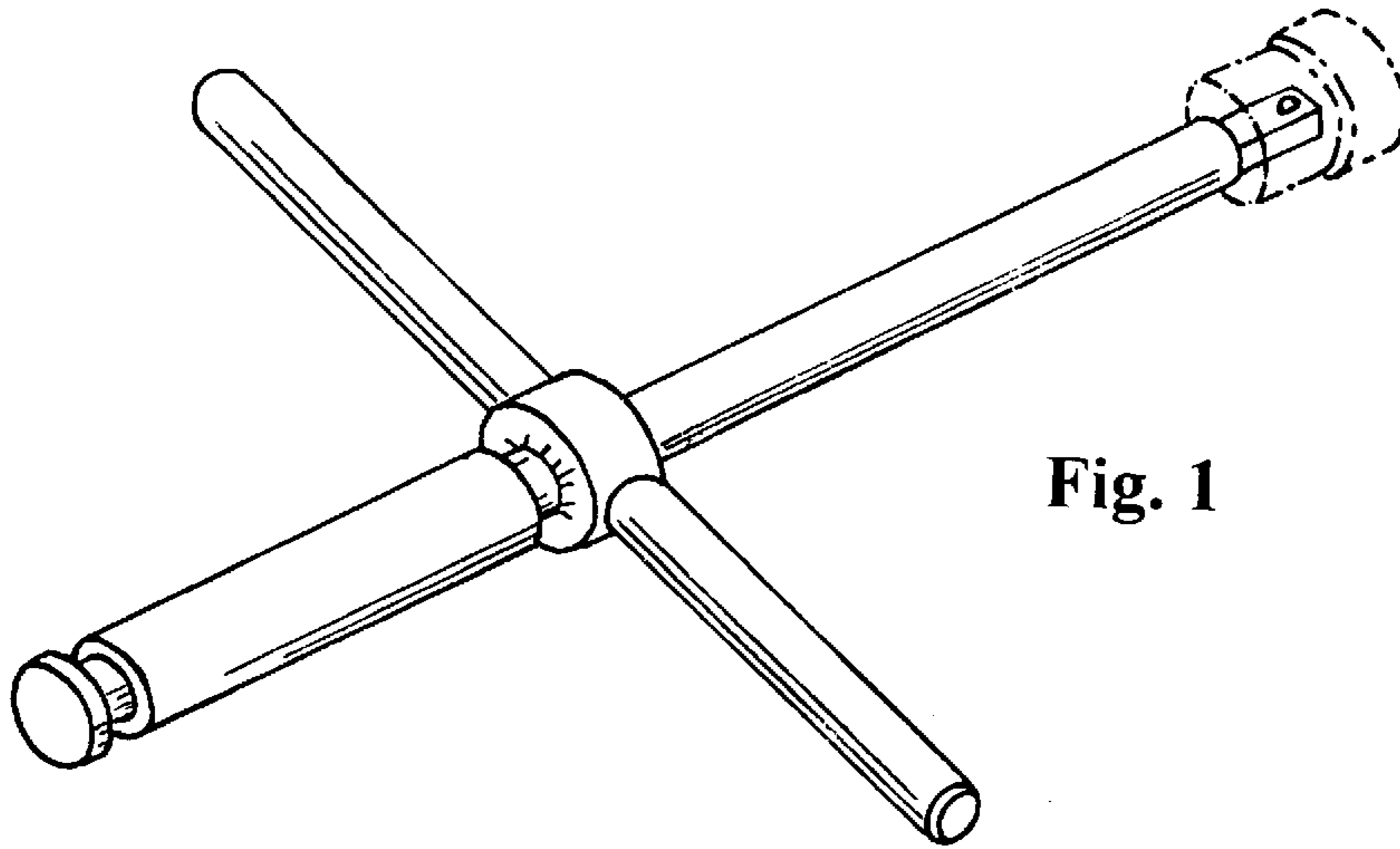


Fig. 1

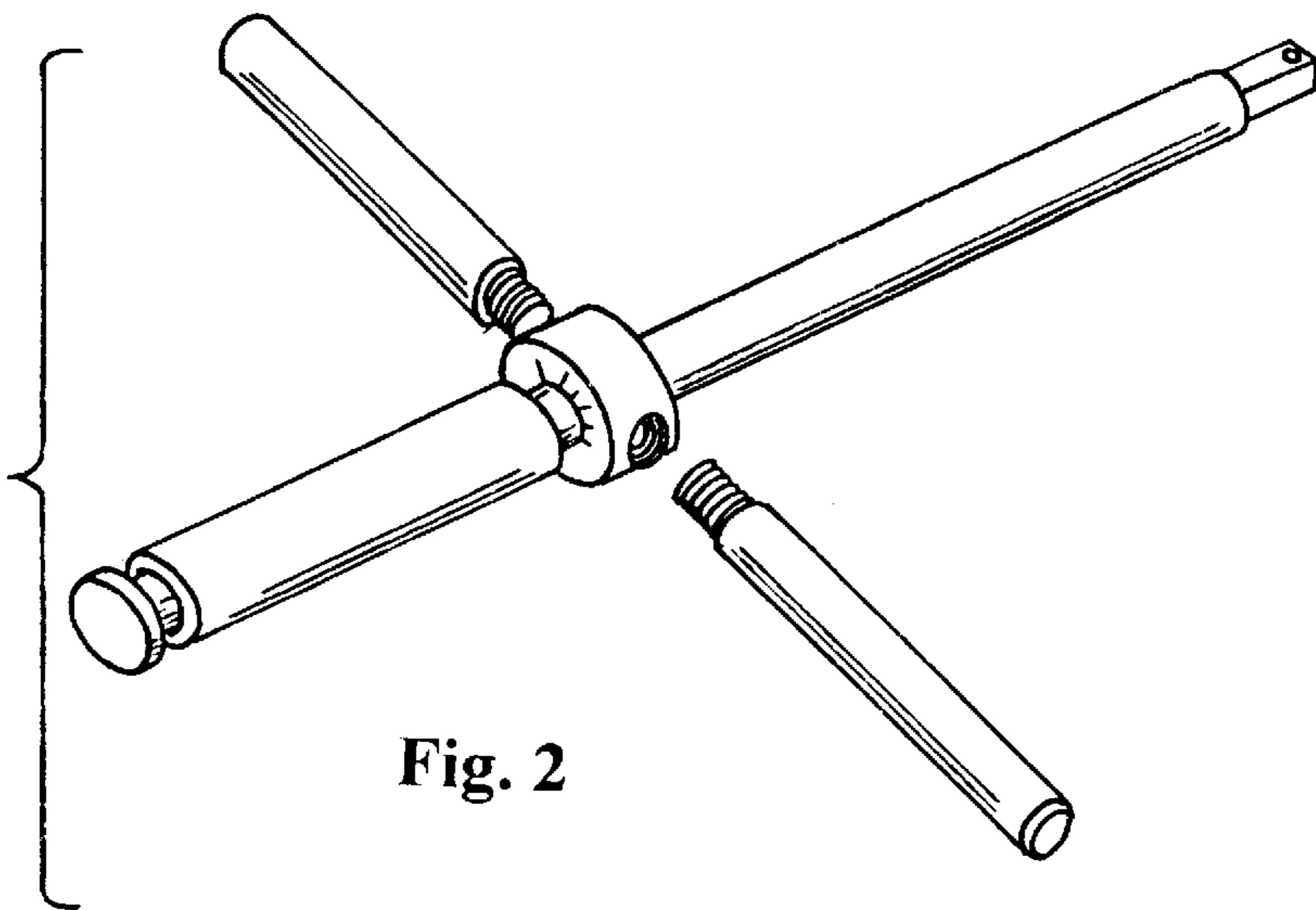


Fig. 2

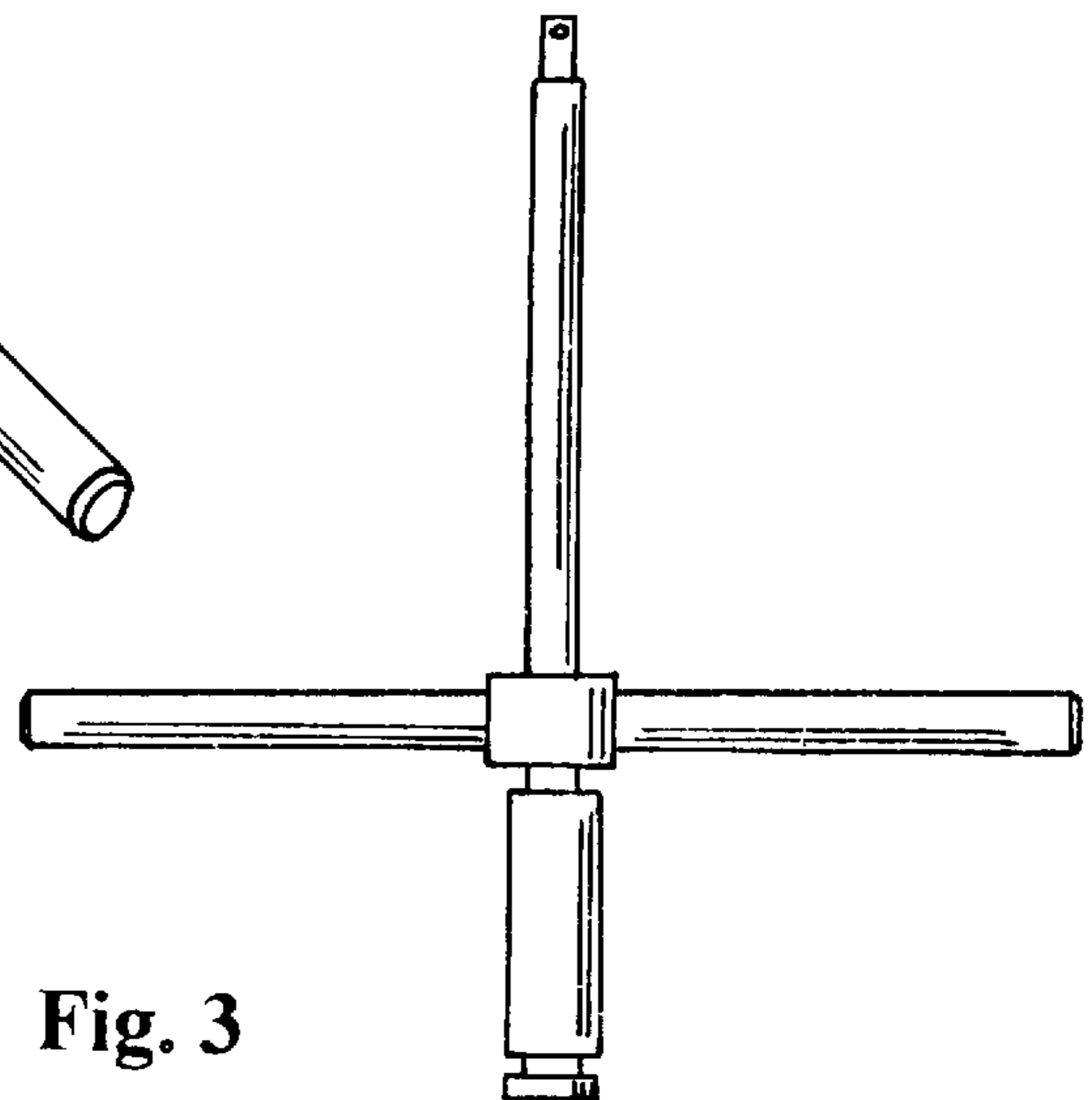


Fig. 3