



US00D409059S

# United States Patent [19]

Wilson et al.

[11] Patent Number: **Des. 409,059**

[45] Date of Patent: **\*\* May 4, 1999**

[54] **BATTERY OPERATED GREASE GUN**

D. 388,677 1/1998 Inai ..... D8/68  
4,077,493 3/1978 Spaude et al. .... 222/256 X

[75] Inventors: **Wendell Wilson**, Marietta, Ga.; **Steven W. Post**, Jonesboro, Ark.

*Primary Examiner*—Terry A. Wallace  
*Attorney, Agent, or Firm*—Howell & Haferkamp, L.C.

[73] Assignee: **McNeil (Ohio) Corporation**, St. Paul, Minn.

[57] **CLAIM**

[\*\*] Term: **14 Years**

The ornamental design for a battery operated grease gun, as shown and described.

[21] Appl. No.: **29/088,400**

### DESCRIPTION

[22] Filed: **May 22, 1998**

FIG. 1 is front elevation view of a battery operated grease gun showing our new designs;

[51] **LOC (6) Cl.** ..... **08-05**

FIG. 2 is a rear elevation view of the battery operated grease gun of FIG. 1;

[52] **U.S. Cl.** ..... **D8/14.1**

FIG. 3 is a left side elevation view of the battery operated grease gun of FIG. 1;

[58] **Field of Search** ..... D8/14.1, 29.1,  
D8/68, 70; 184/28, 105.2; 222/256-262,  
326, 340, 386, 394

FIG. 4 is a right side elevation view of the battery operated grease gun of FIG. 1;

### [56] **References Cited**

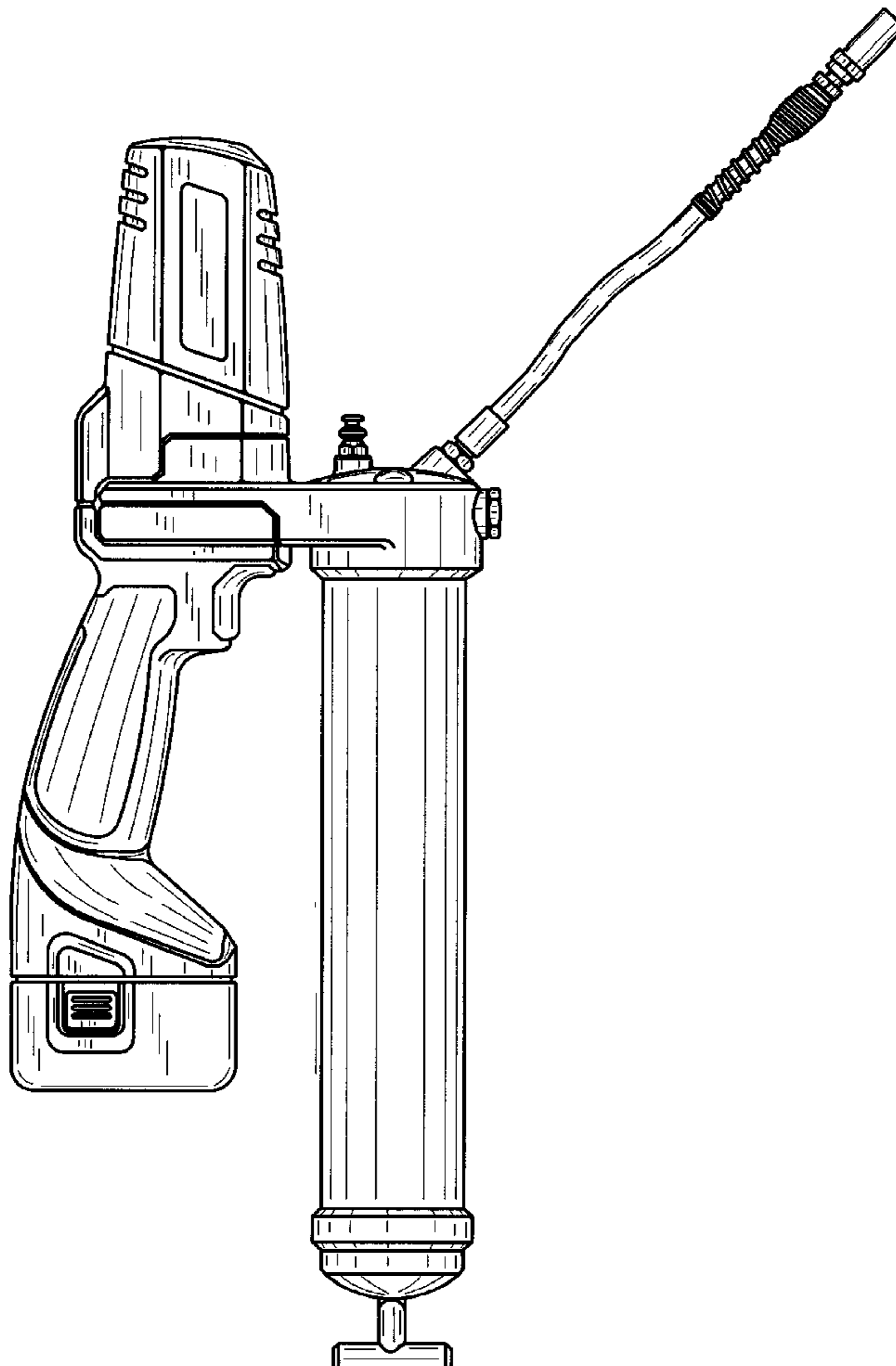
FIG. 5 is a top plan view of the battery operated grease gun of FIG. 1; and,

#### U.S. PATENT DOCUMENTS

FIG. 6 is a bottom plan view of the battery operated grease gun of FIG. 1.

- D. 206,282 11/1966 Sundholm ..... D8/14.1
- D. 337,038 7/1993 Sakamoto et al. .... D8/68
- D. 357,392 4/1995 Kimpel et al. .... D8/14.1

**1 Claim, 4 Drawing Sheets**



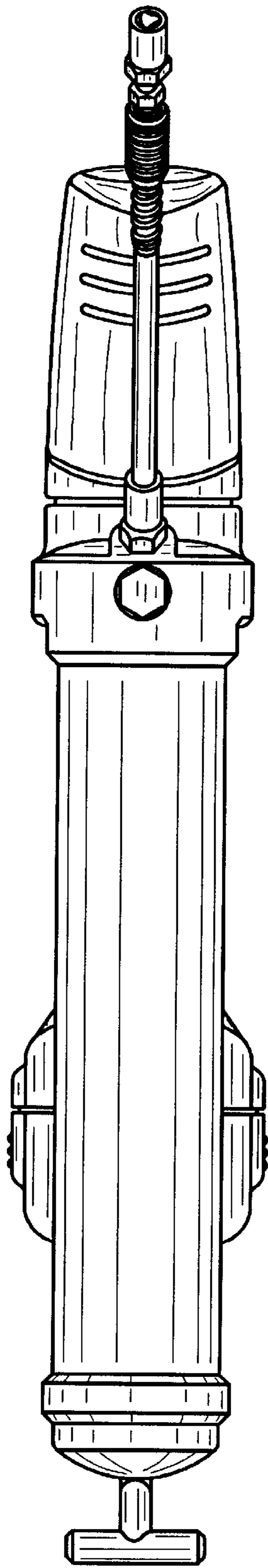


FIG. 1

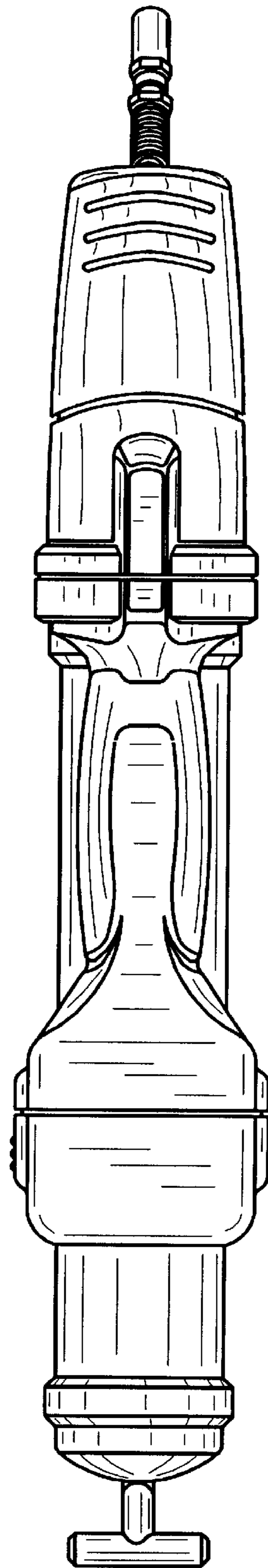


FIG. 2

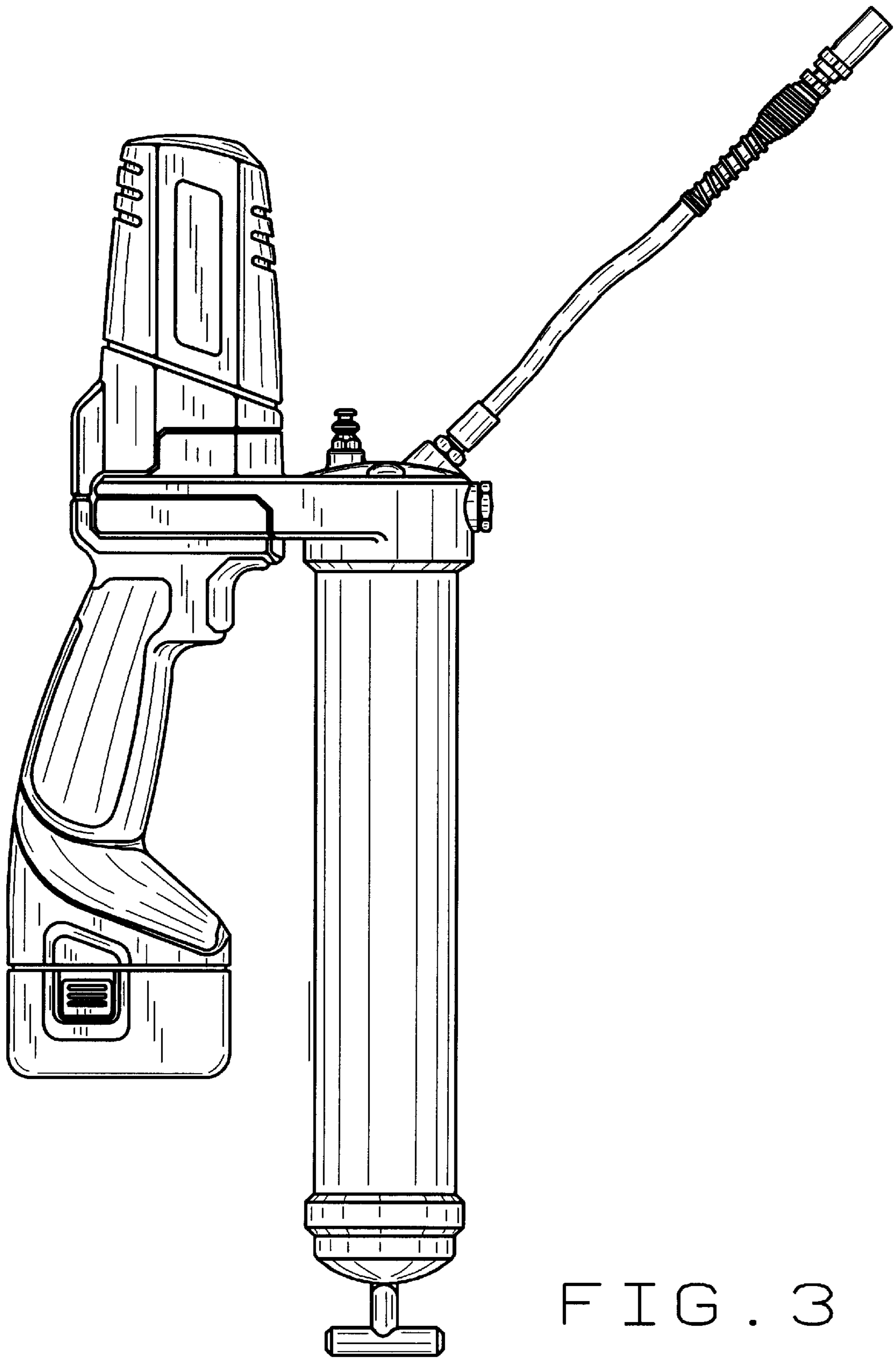


FIG. 3

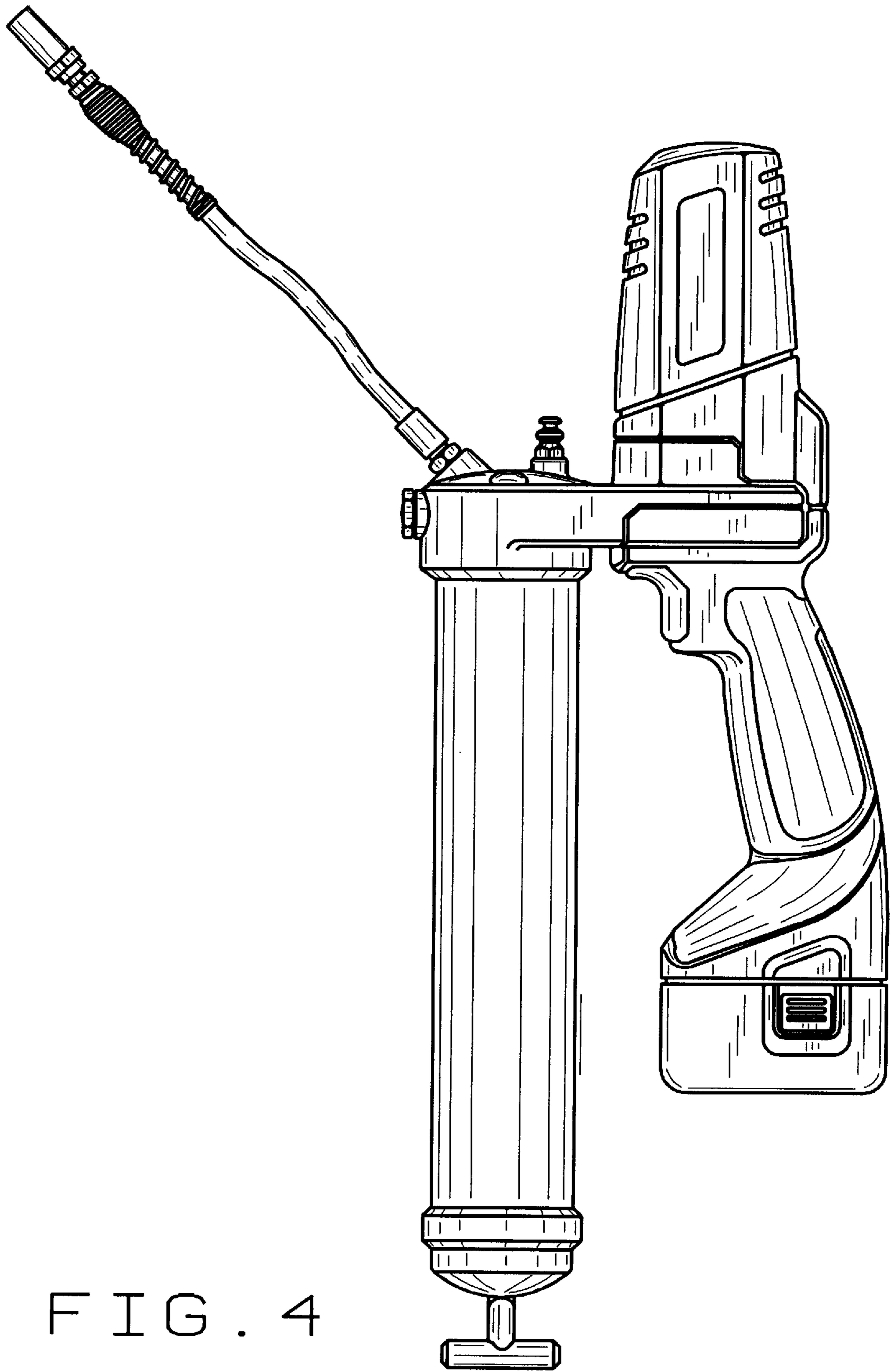


FIG. 4

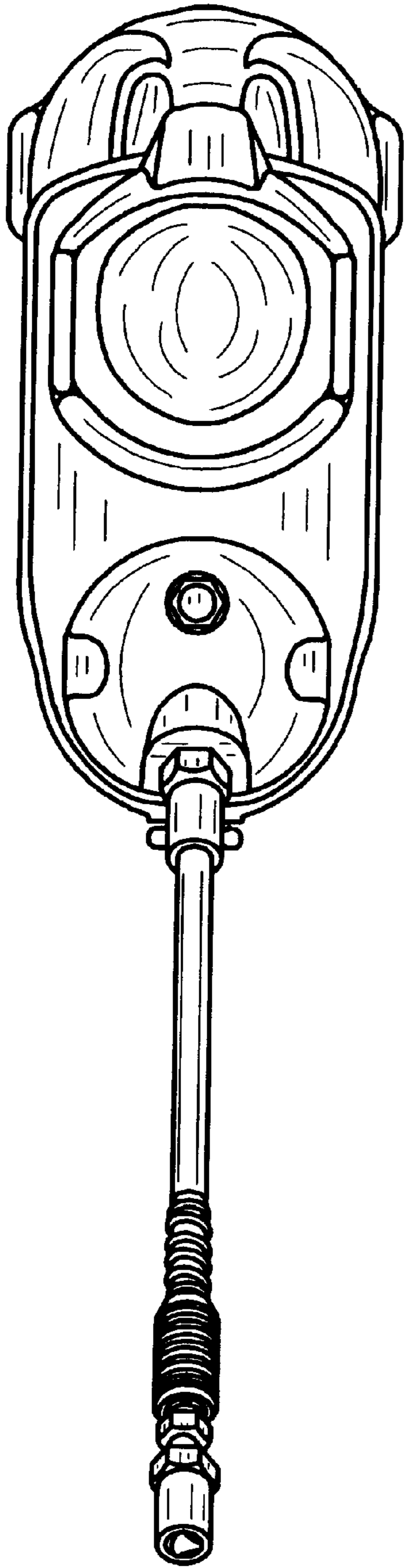


FIG. 5

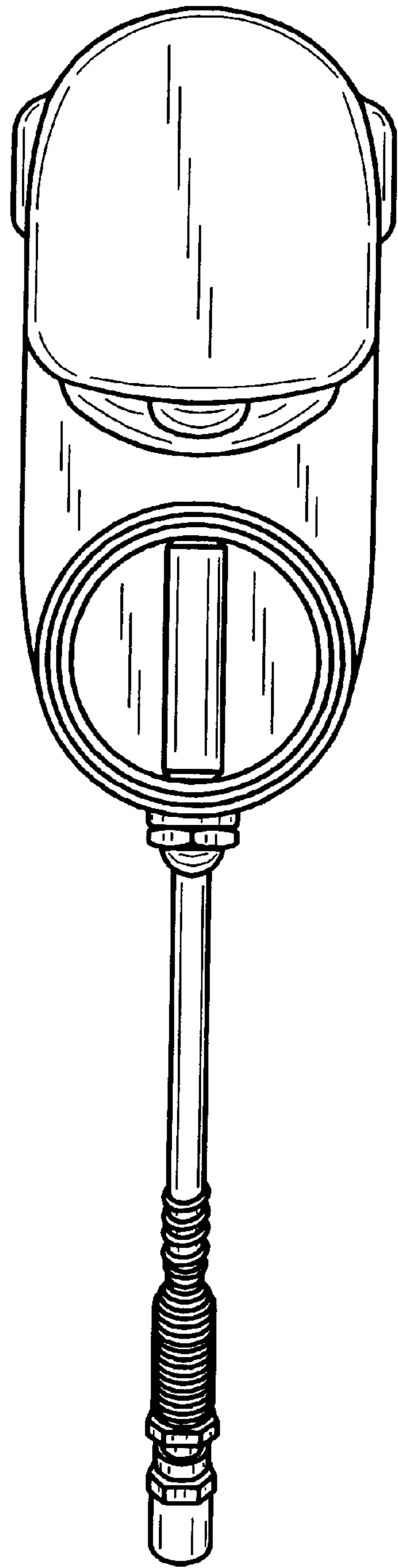


FIG. 6