



US00D409055S

United States Patent [19]

Johnson et al.

[11] Patent Number: **Des. 409,055**

[45] Date of Patent: **** May 4, 1999**

[54] **KITCHEN MOLD**

[76] Inventors: **Simon R. Johnson; Cynthia A. Johnson**, both of 353 Viewcrest Rd., Bellingham, Wash. 98226

[**] Term: **14 Years**

[21] Appl. No.: **29/086,081**

[22] Filed: **Apr. 3, 1998**

[51] **LOC (6) Cl.** **07-04**

[52] **U.S. Cl.** **D7/677**

[58] **Field of Search** D7/672, 677; 30/130, 30/316; 100/266, 910; 425/290, 298, 299, 318, 444, 457

[56] **References Cited**

U.S. PATENT DOCUMENTS

D. 114,900 5/1939 Napolillo D7/677

D. 203,612 2/1966 Waller D7/677
2,779,097 1/1957 Frazier 425/290 X
3,120,678 2/1964 Glenny 425/444 X

Primary Examiner—Terry A. Wallace
Attorney, Agent, or Firm—Todd N. Hathaway

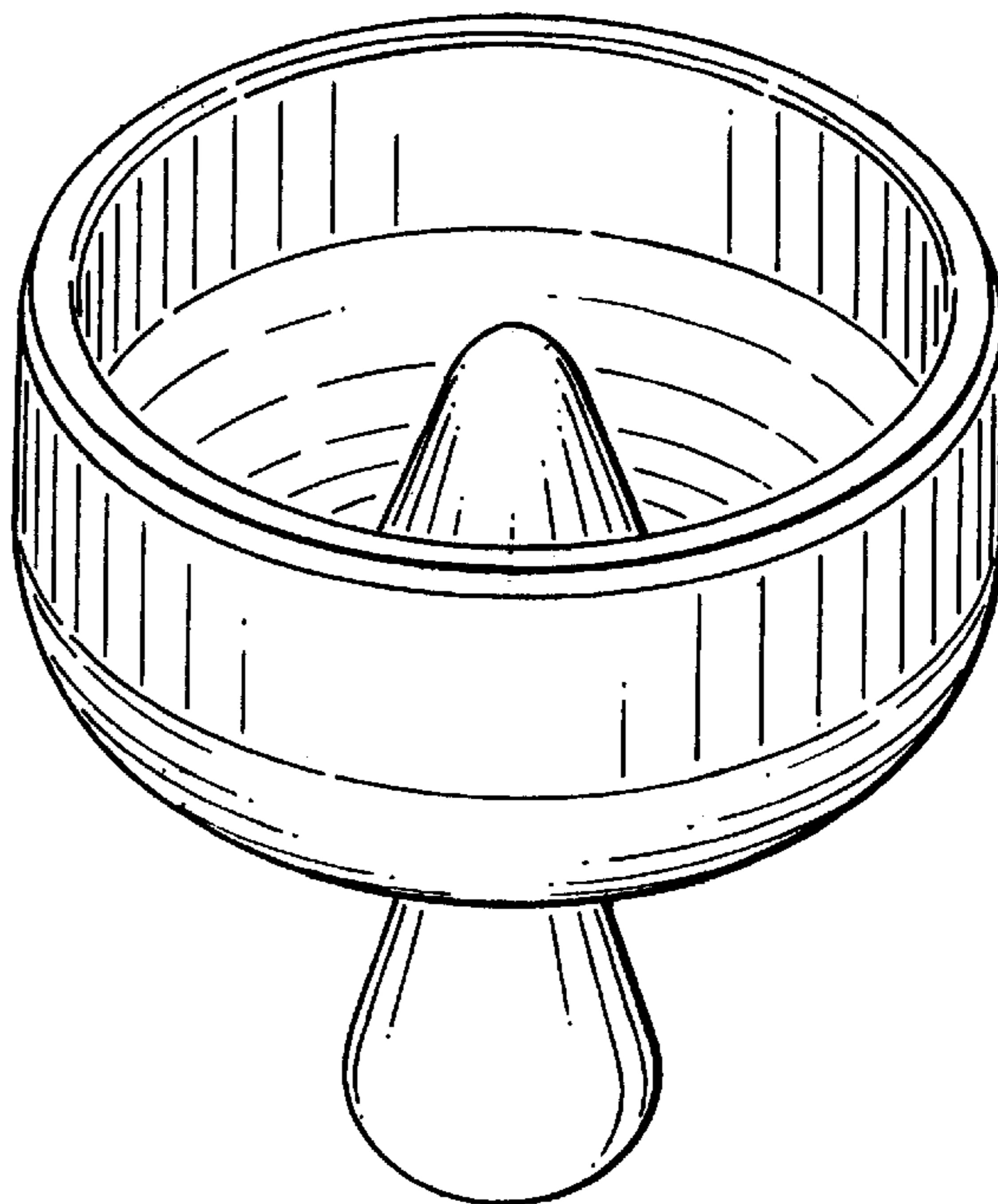
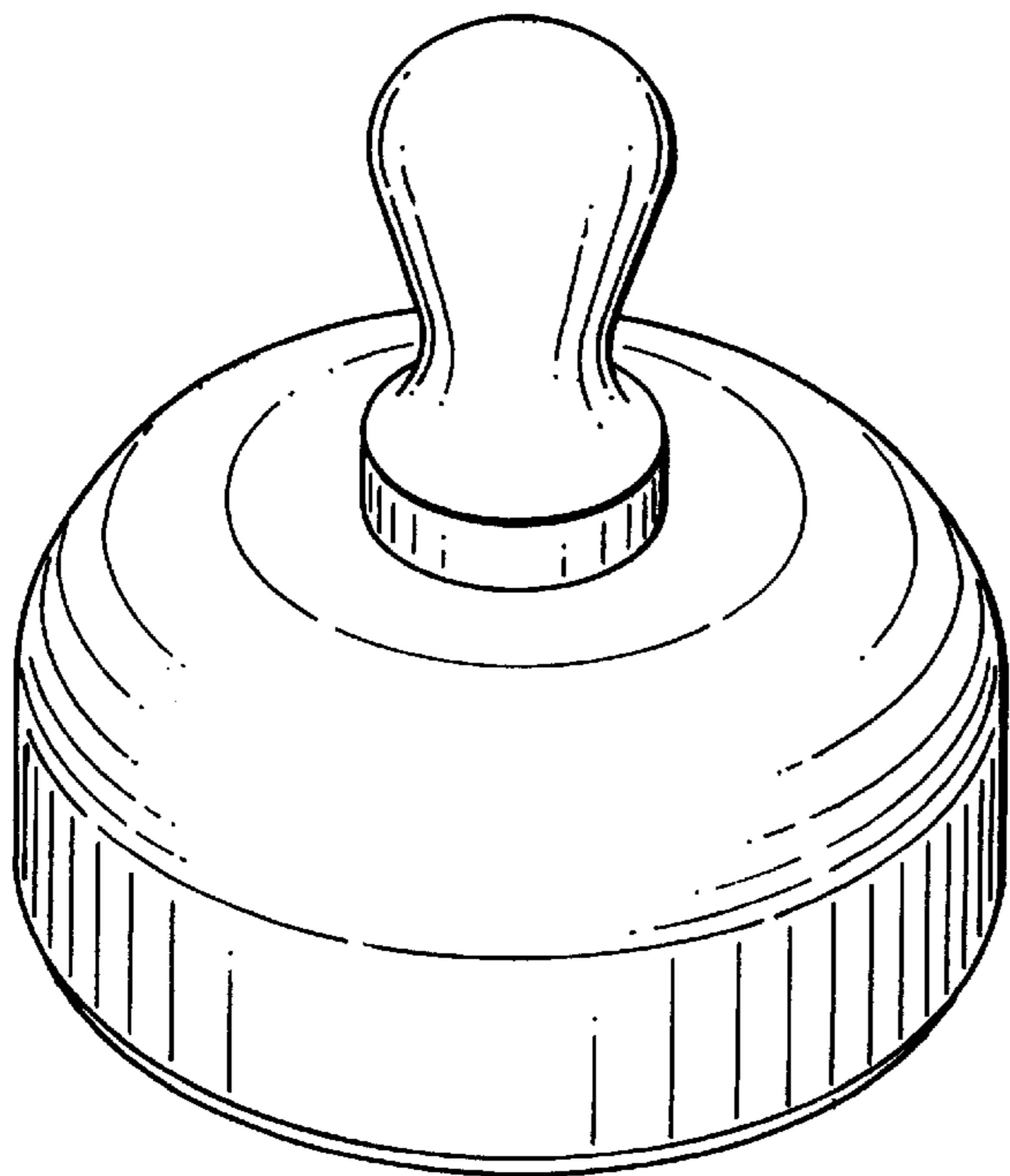
[57] **CLAIM**

The ornamental design for a kitchen mold, as shown and described.

DESCRIPTION

FIG. 1 is a top perspective view of a kitchen mold showing my new design;
FIG. 2 is a bottom perspective view thereof;
FIG. 3 is a side, elevational view thereof;
FIG. 4 is a top plan view thereof; and,
FIG. 5 is a bottom plan view thereof.

1 Claim, 2 Drawing Sheets



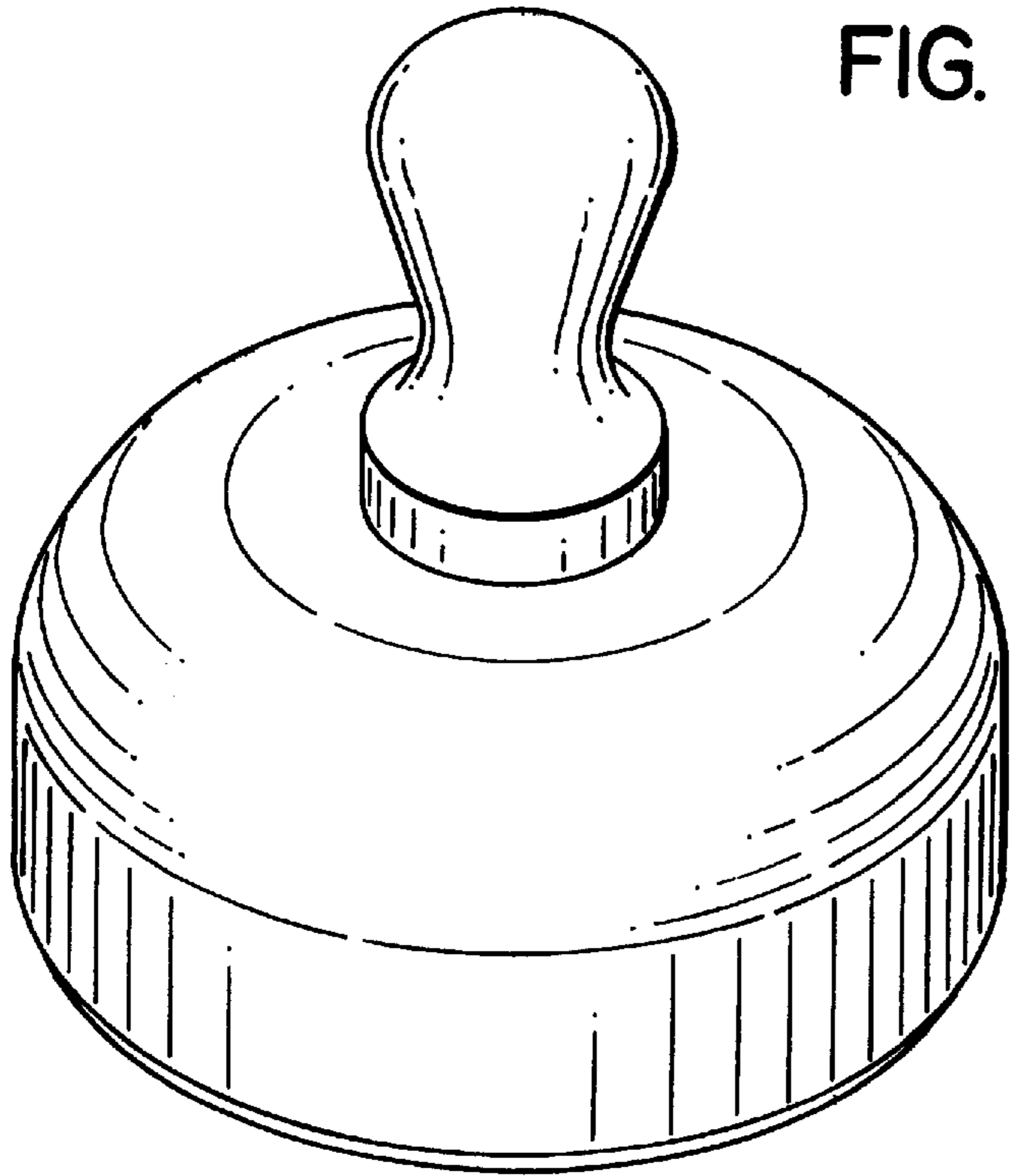


FIG. 1

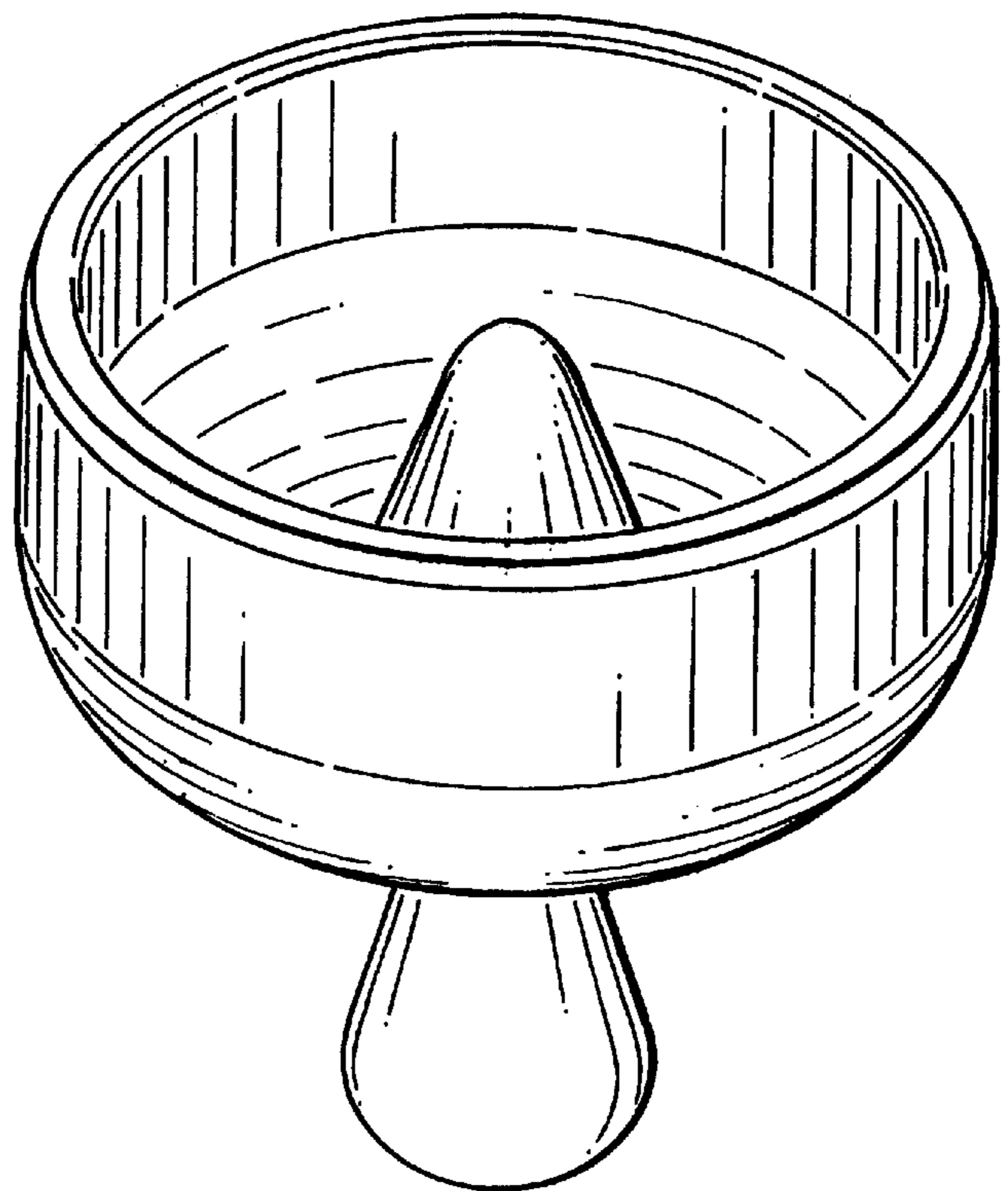


FIG. 2

FIG. 3

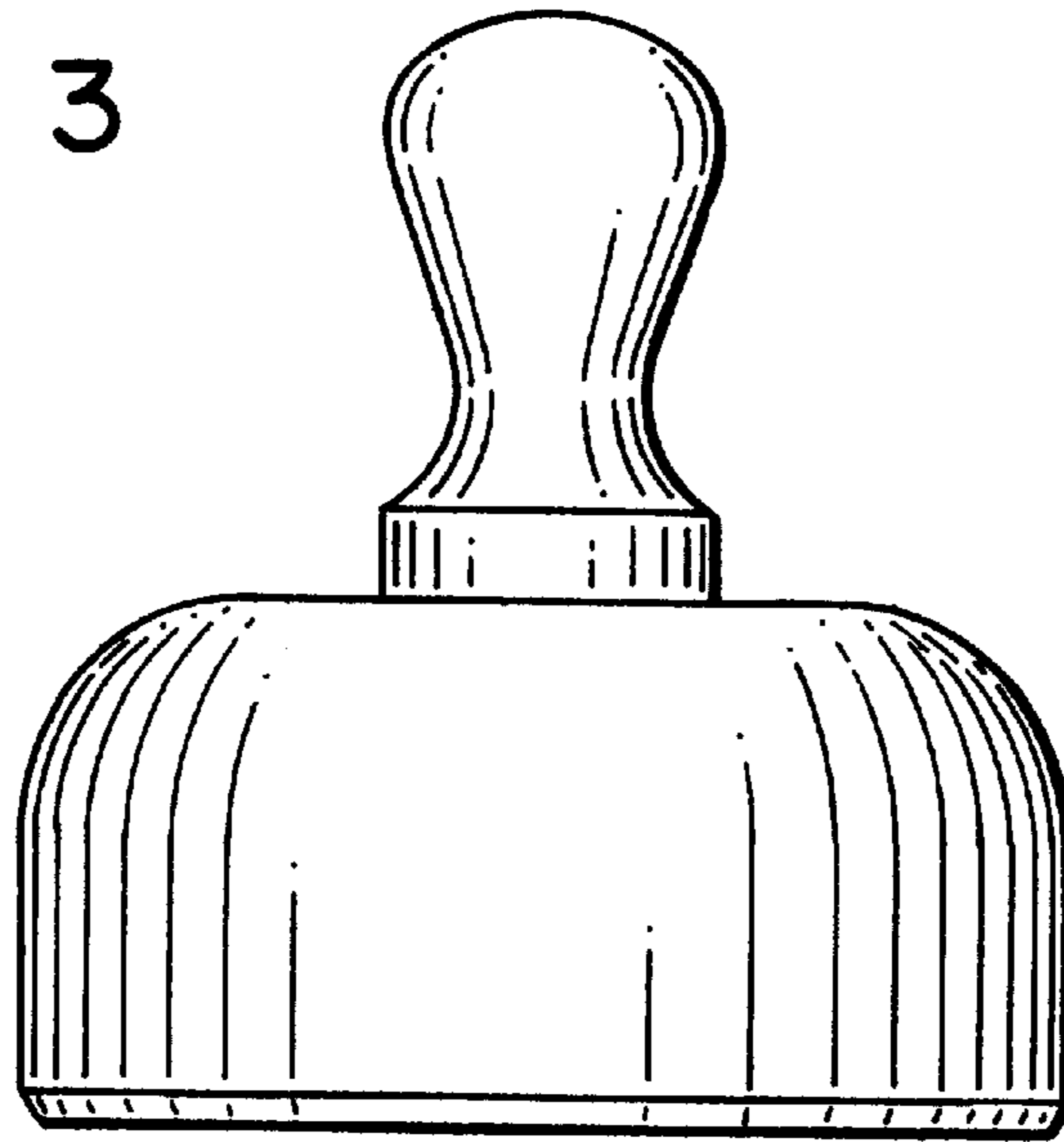


FIG. 4

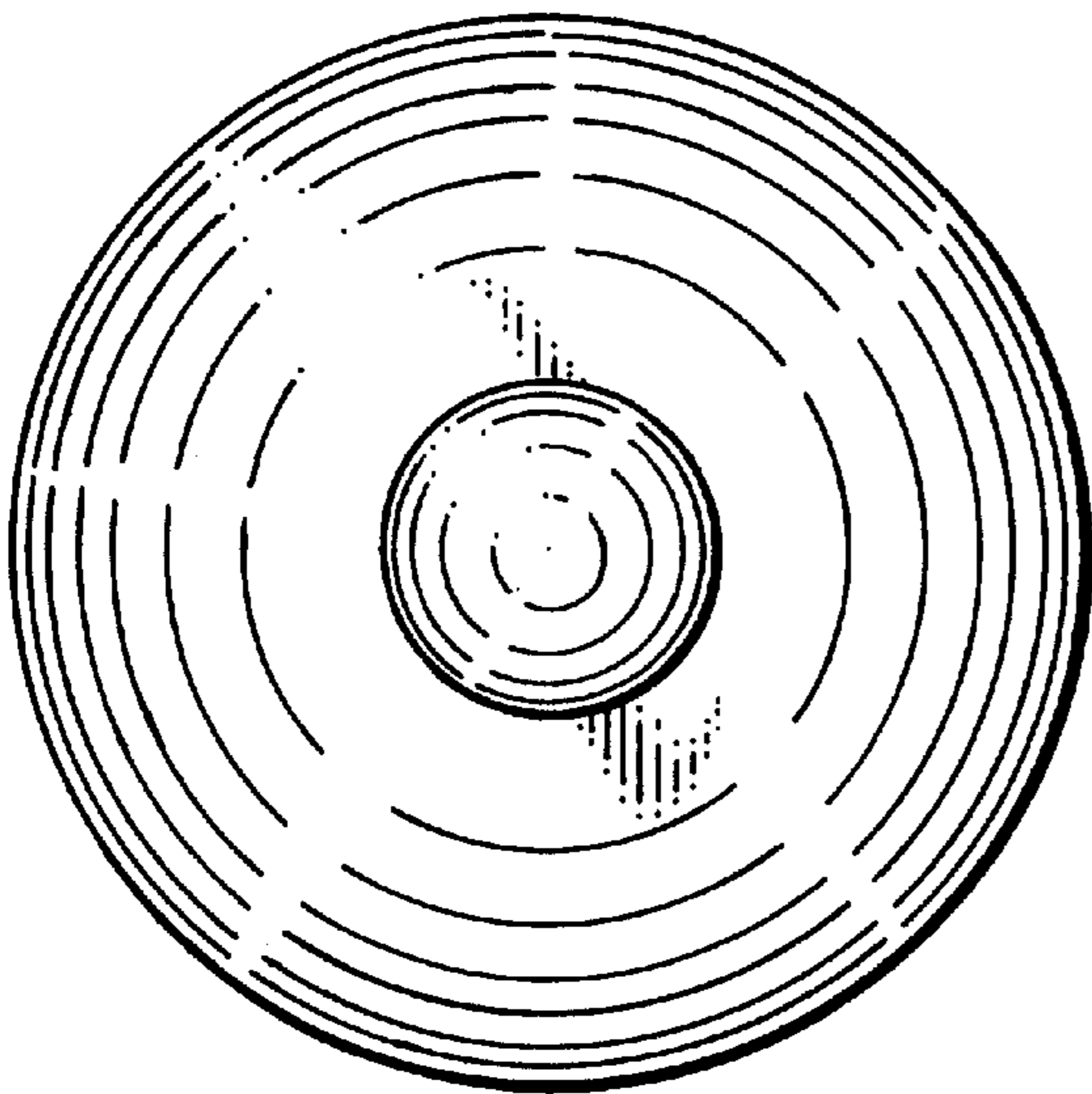


FIG. 5

