



US00D409050S

# United States Patent [19]

Anderson et al.

[11] Patent Number: **Des. 409,050**

[45] Date of Patent: **\*\* May 4, 1999**

[54] **COOLER**

[76] Inventors: **Christine C. Anderson; Terence J. Anderson**, both of 41 Fernstead La., Berlin, Conn. 06037; **Brian Fox**, 200 Ox Yoke Dr., Wethersfield, Conn. 06109; **Mark Hoben**, 42 Park Dr., Waterford, Conn. 06385

[\*\*] Term: **14 Years**

[21] Appl. No.: **29/090,593**

[22] Filed: **Jul. 13, 1998**

### Related U.S. Application Data

[62] Division of application No. 29/073,665, Jul. 22, 1997.

[51] **LOC (6) Cl.** ..... **07-06**

[52] **U.S. Cl.** ..... **D7/606**

[58] **Field of Search** ..... D7/605, 606, 603, D7/604; D9/307; 62/457.1, 457.7, 371; 206/457; 220/412; 280/641, 645

[56] **References Cited**

### U.S. PATENT DOCUMENTS

D. 322,915	1/1992	Franklin	.....	D7/606
D. 349,009	7/1994	Minor	.....	D7/606
D. 351,971	11/1994	Cappola	.....	D7/606 X
4,164,284	8/1979	Witt et al.	.....	D7/606 X
4,339,062	7/1982	Witt, Jr.	.....	D7/619 X

*Primary Examiner*—Terry A. Wallace  
*Attorney, Agent, or Firm*—Cantor Colburn LLP

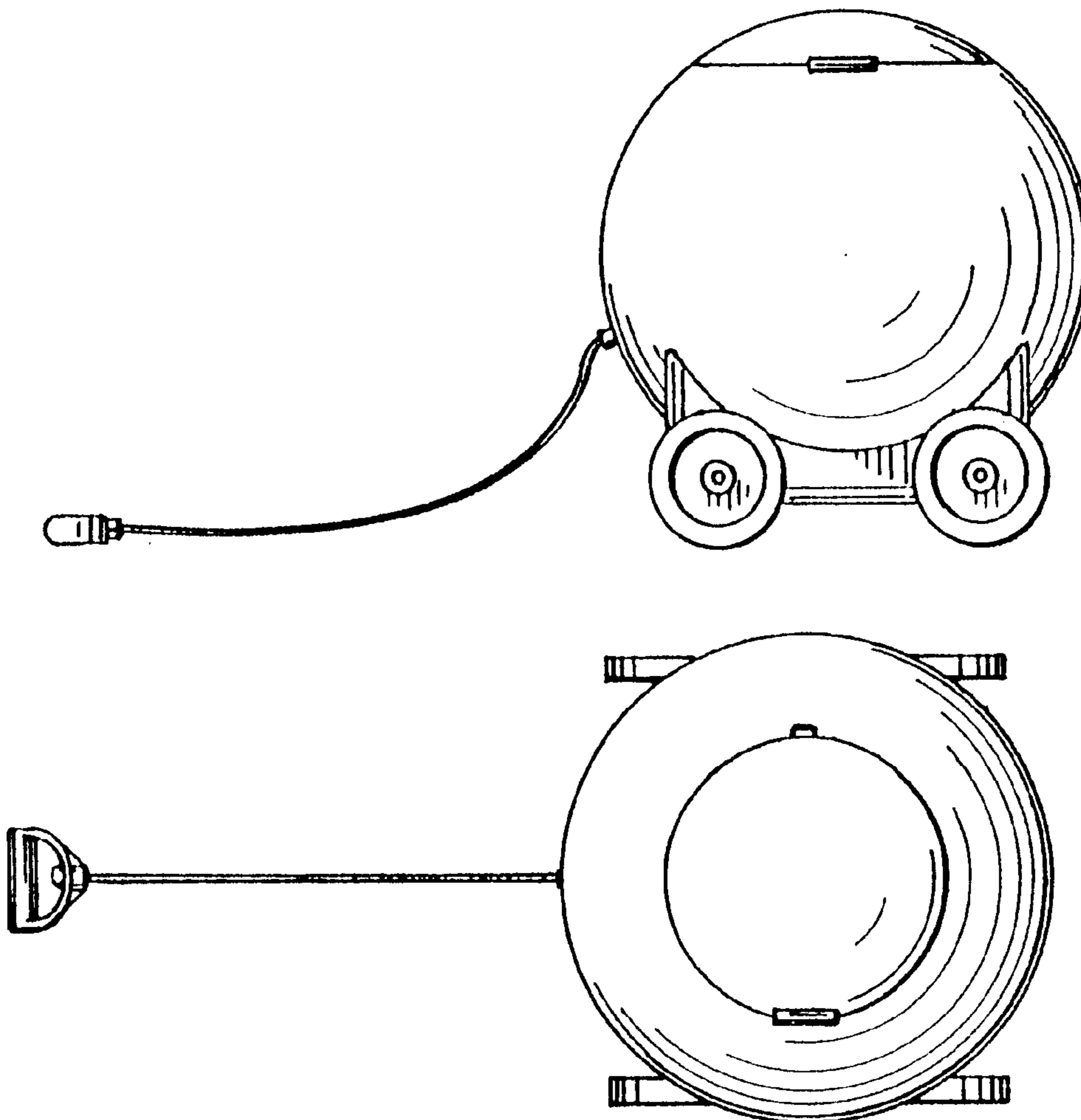
[57] **CLAIM**

The ornamental design for a cooler, as shown and described.

### DESCRIPTION

FIG. 1 is a front view of the cooler; FIG. 2 is a top view thereof; FIG. 3 is a bottom view thereof; FIG. 4 is a rear view thereof; FIG. 5 is a left side view thereof; and, FIG. 6 is a right side view thereof.

**1 Claim, 2 Drawing Sheets**



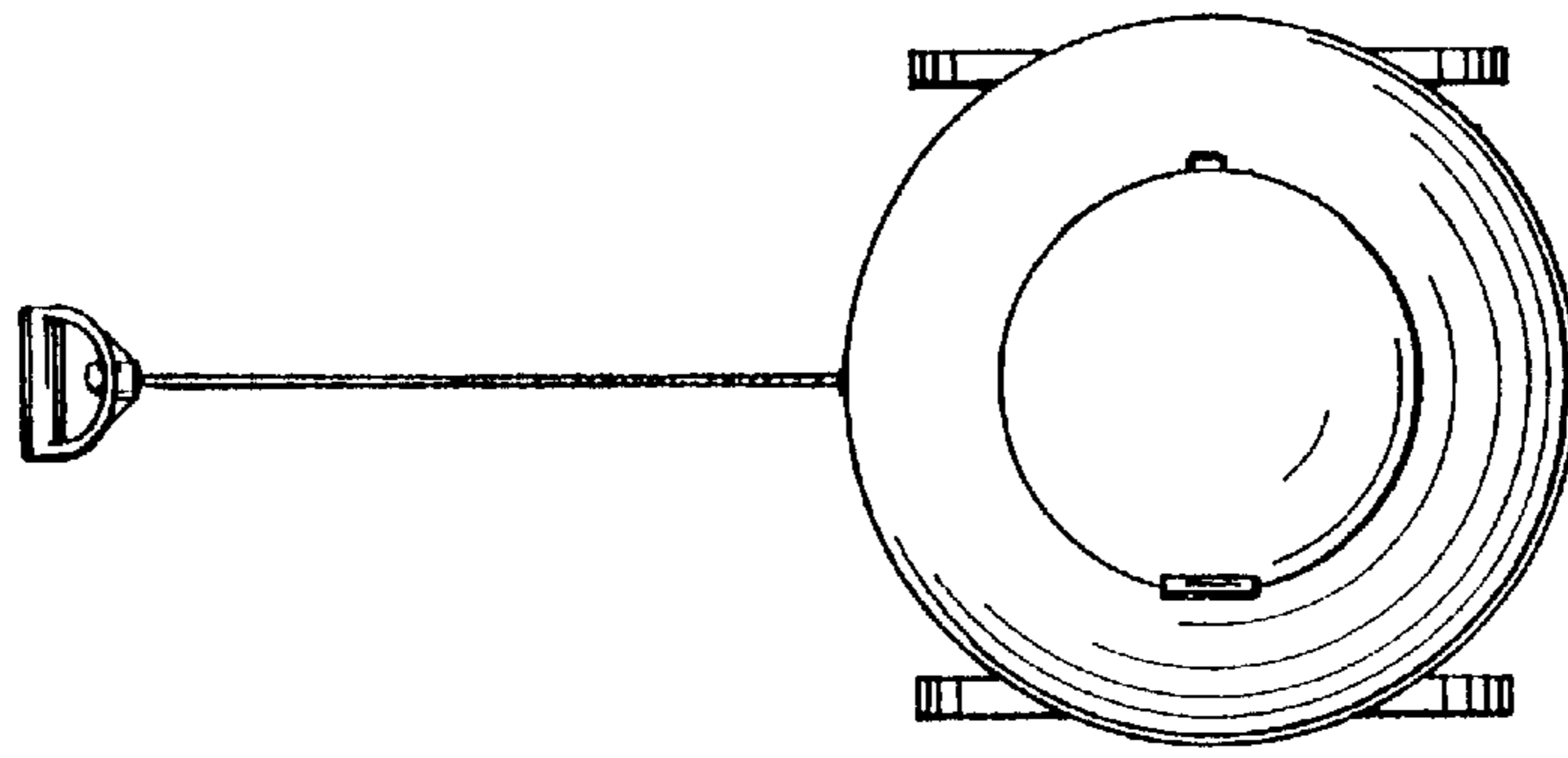


FIG. 2

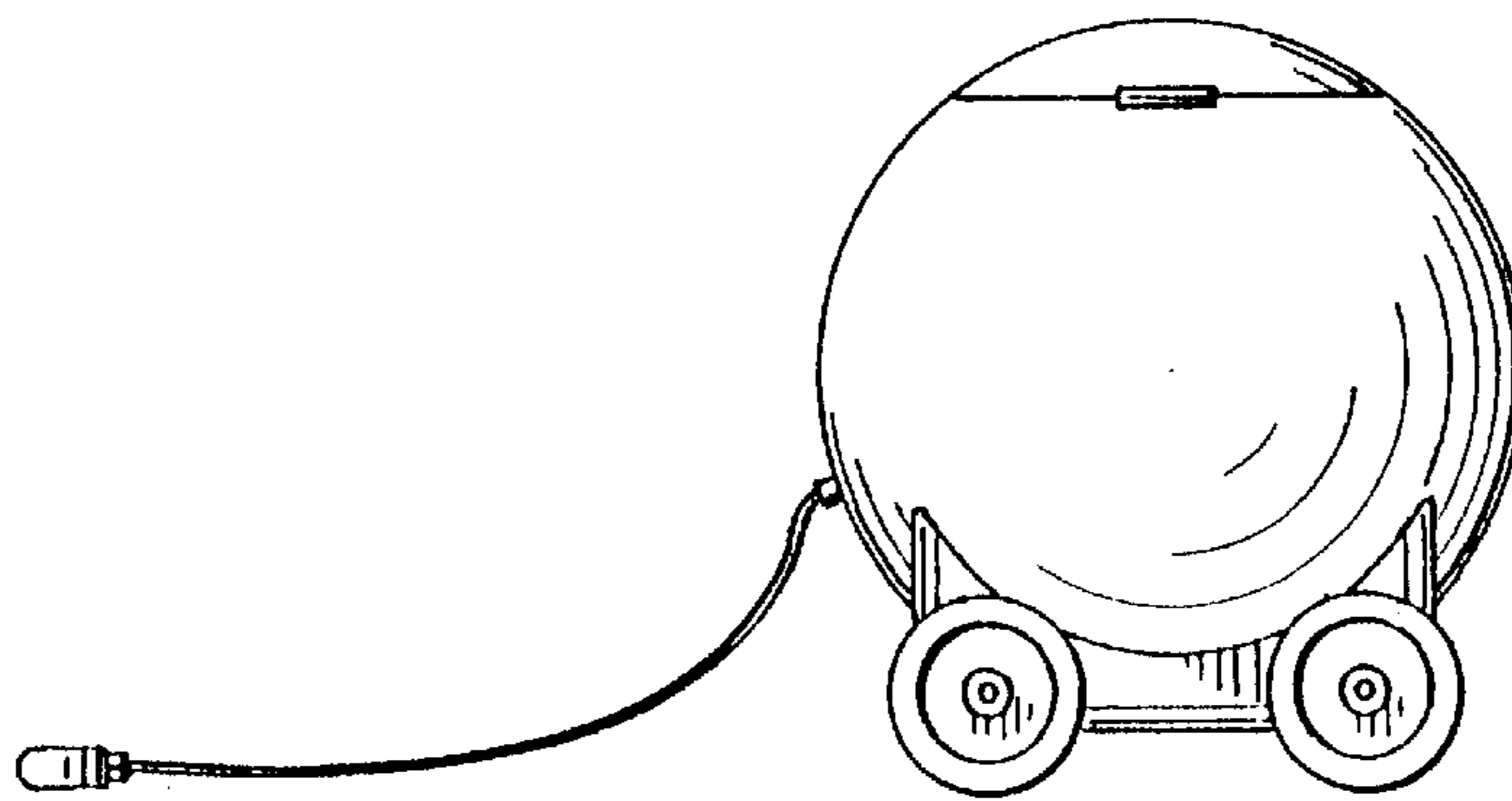


FIG. 1

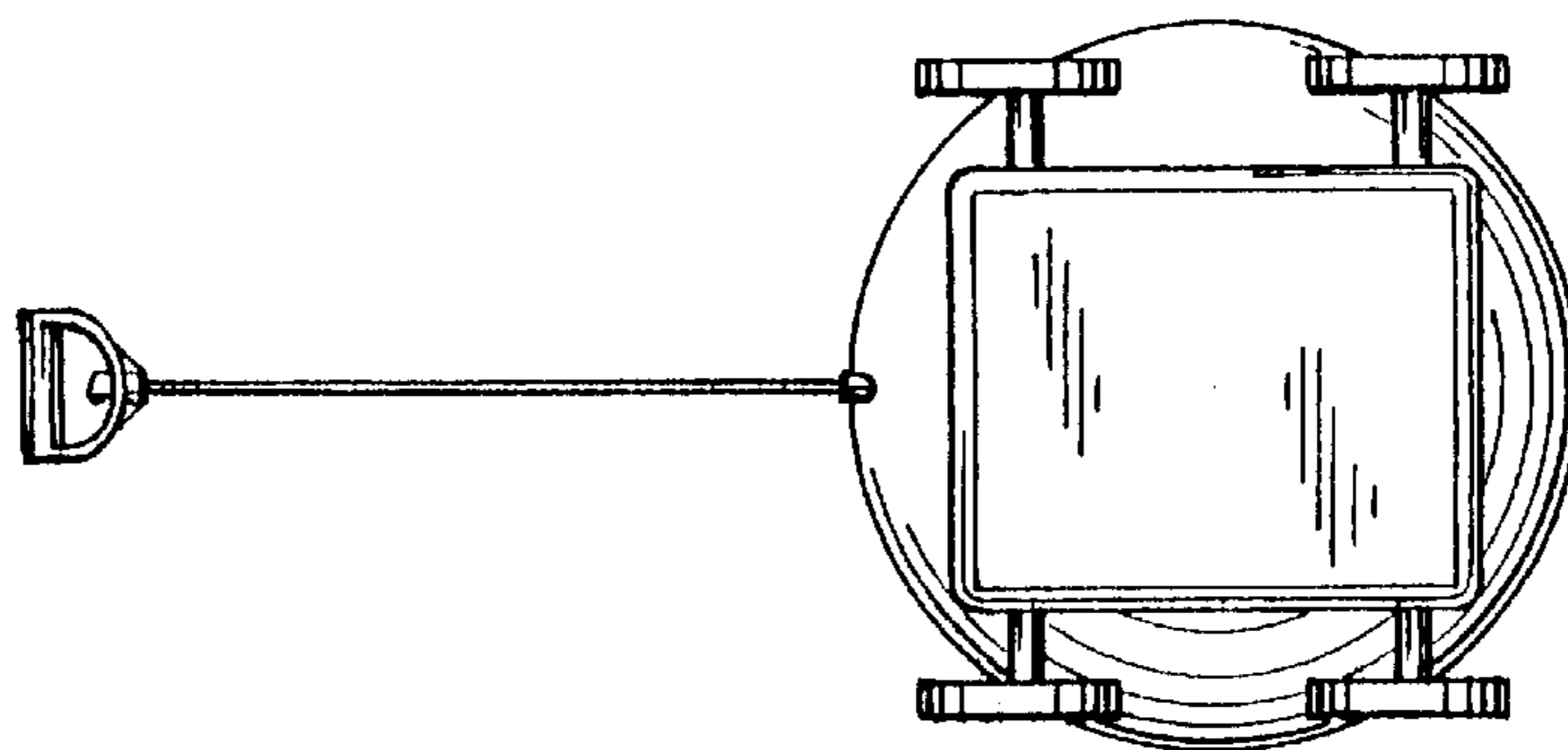


FIG. 3

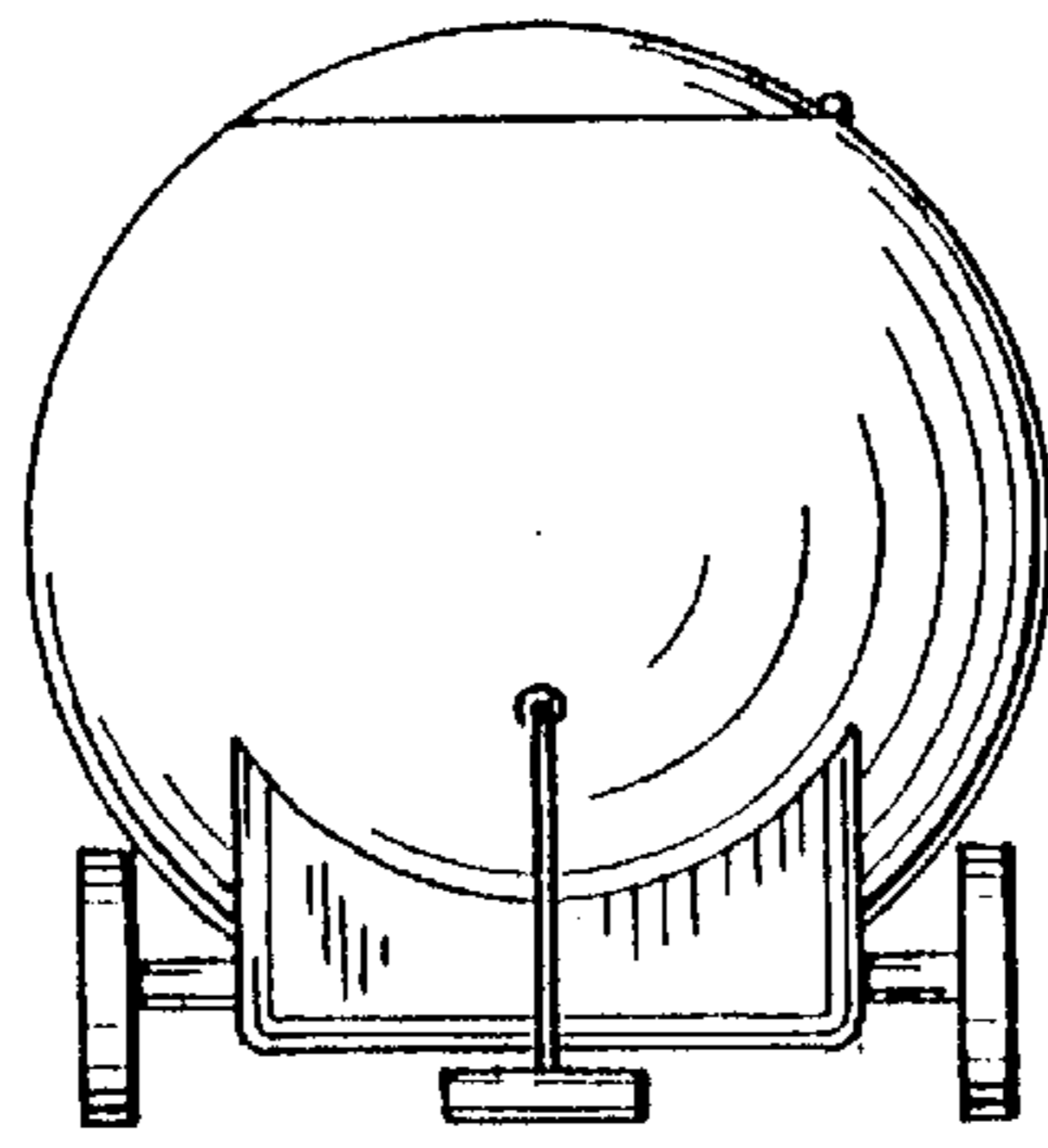


FIG. 5

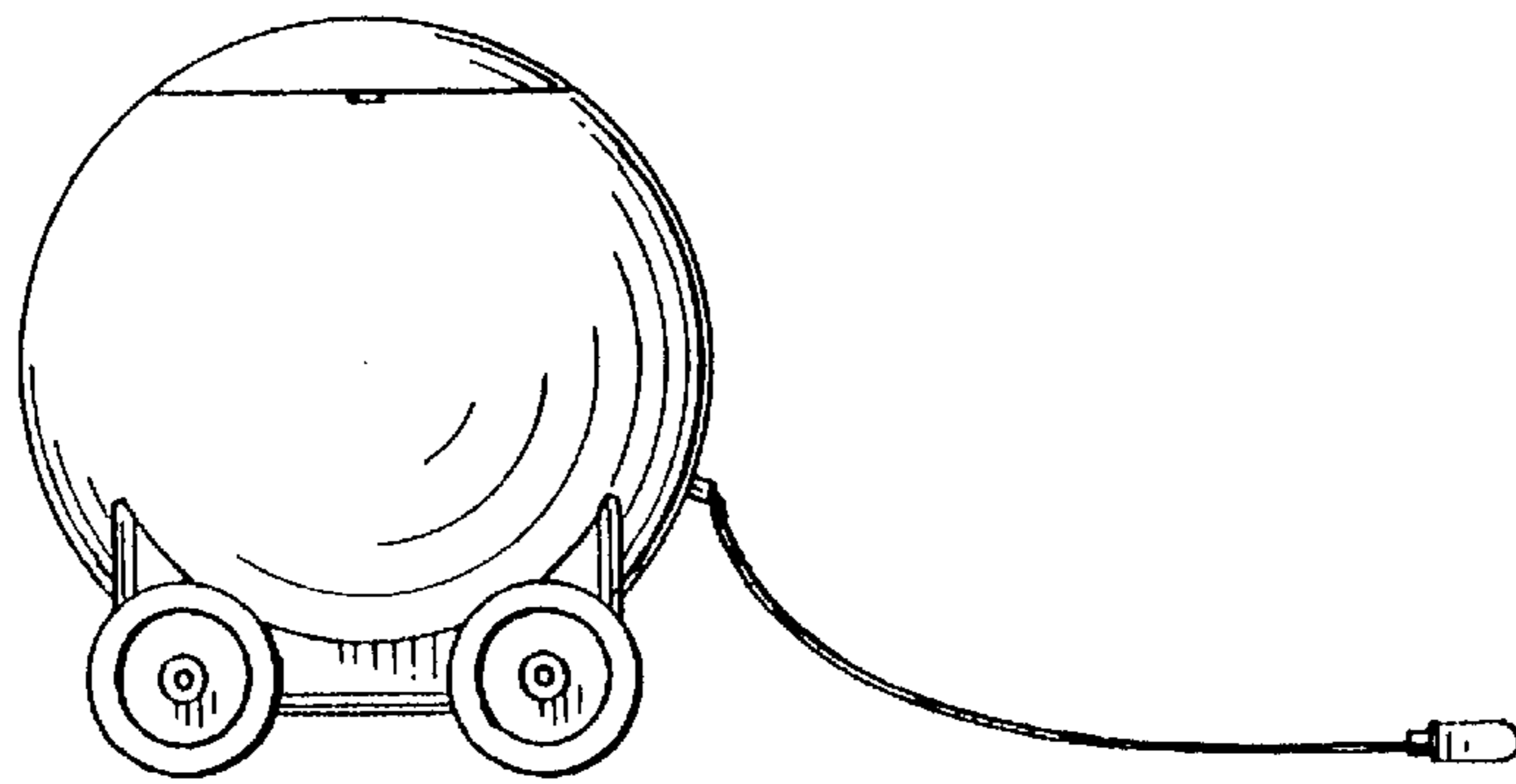


FIG. 4

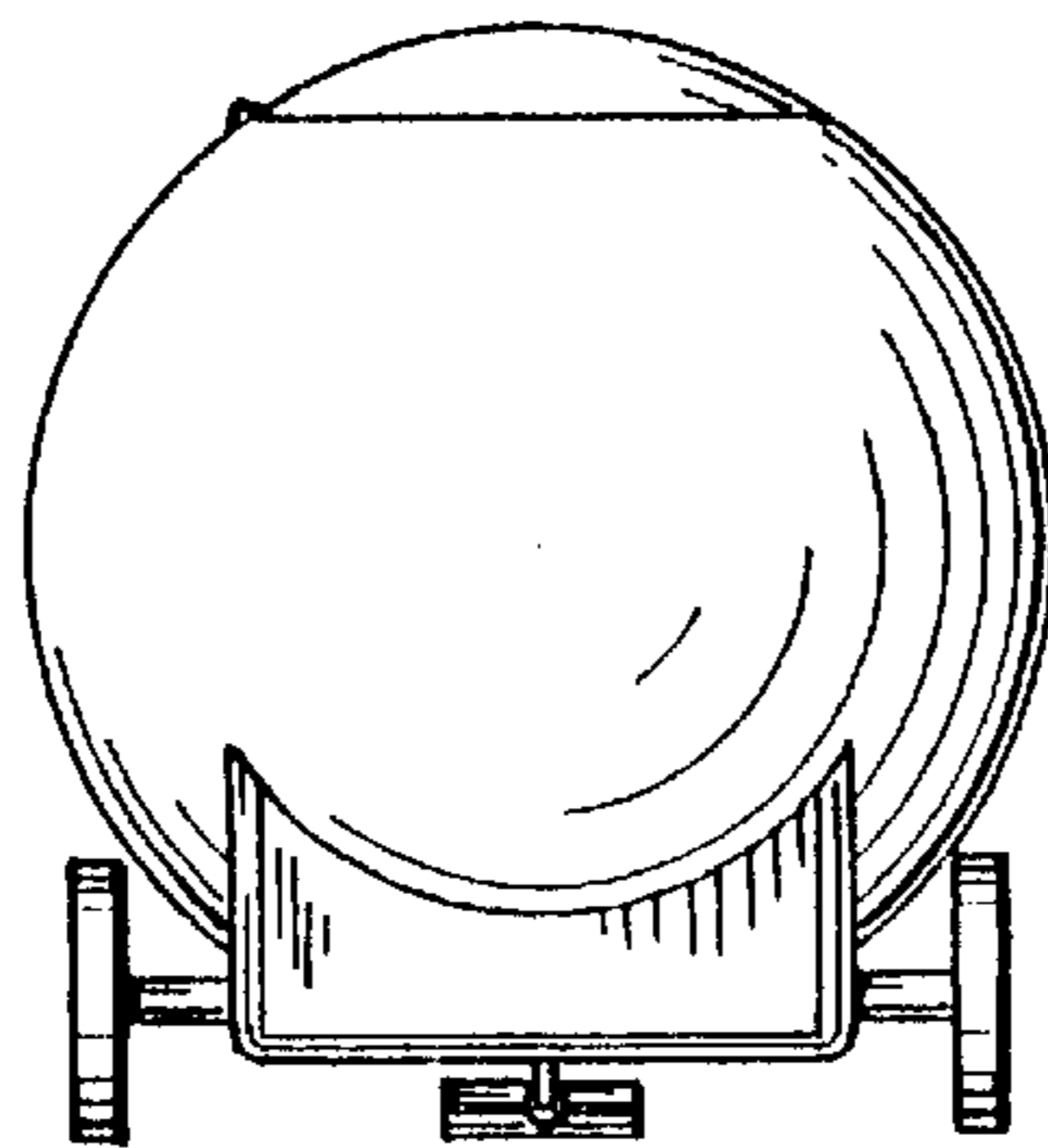


FIG. 6