



US00D409047S

United States Patent [19] Battioli

[11] **Patent Number: Des. 409,047**

[45] **Date of Patent: ** May 4, 1999**

[54] **ROTISSERIE SPIT**

[76] Inventor: **John F. Battioli**, 1201 W. Madison,
Herrin, Ill. 62948

[**] Term: **14 Years**

[21] Appl. No.: **29/028,178**

[22] Filed: **Sep. 8, 1994**

[51] **LOC (6) Cl. 07-02**

[52] **U.S. Cl. D7/402**

[58] **Field of Search** D7/332-338, 402-404,
D7/406, 409; 99/419, 421 R, 421 A, 421 HV,
421 HH, 421 TP, 421 V; 126/25 R, 25 A,
25 AA, 26, 9, 40, 41 R, 41 A, 41 B

[56] **References Cited**

U.S. PATENT DOCUMENTS

D. 211,618 7/1968 Koziol D7/409
D. 261,092 10/1981 Menard D79/409
D. 262,347 12/1981 Bourne et al. D7/409

D. 286,256 10/1986 Jung D7/334
D. 336,593 6/1993 Yeuan D7/402
3,329,082 7/1967 Satkunas .
3,387,555 6/1968 Moran .
4,483,241 11/1984 Vaughn 99/447

Primary Examiner—Ruth McInroy

[57] **CLAIM**

The ornamental design for a rotisserie spit, as shown and described.

DESCRIPTION

FIG. 1 is a front elevational view of a rotisserie spit showing my new design;
FIG. 2 is a rear elevational view thereof;
FIG. 3 is a left side elevational view thereof;
FIG. 4 is a right side elevational view thereof;
FIG. 5 is a top plan view thereof;
FIG. 6 is a bottom plan view thereof; and,
FIG. 7 is a top, right perspective view thereof.

1 Claim, 4 Drawing Sheets

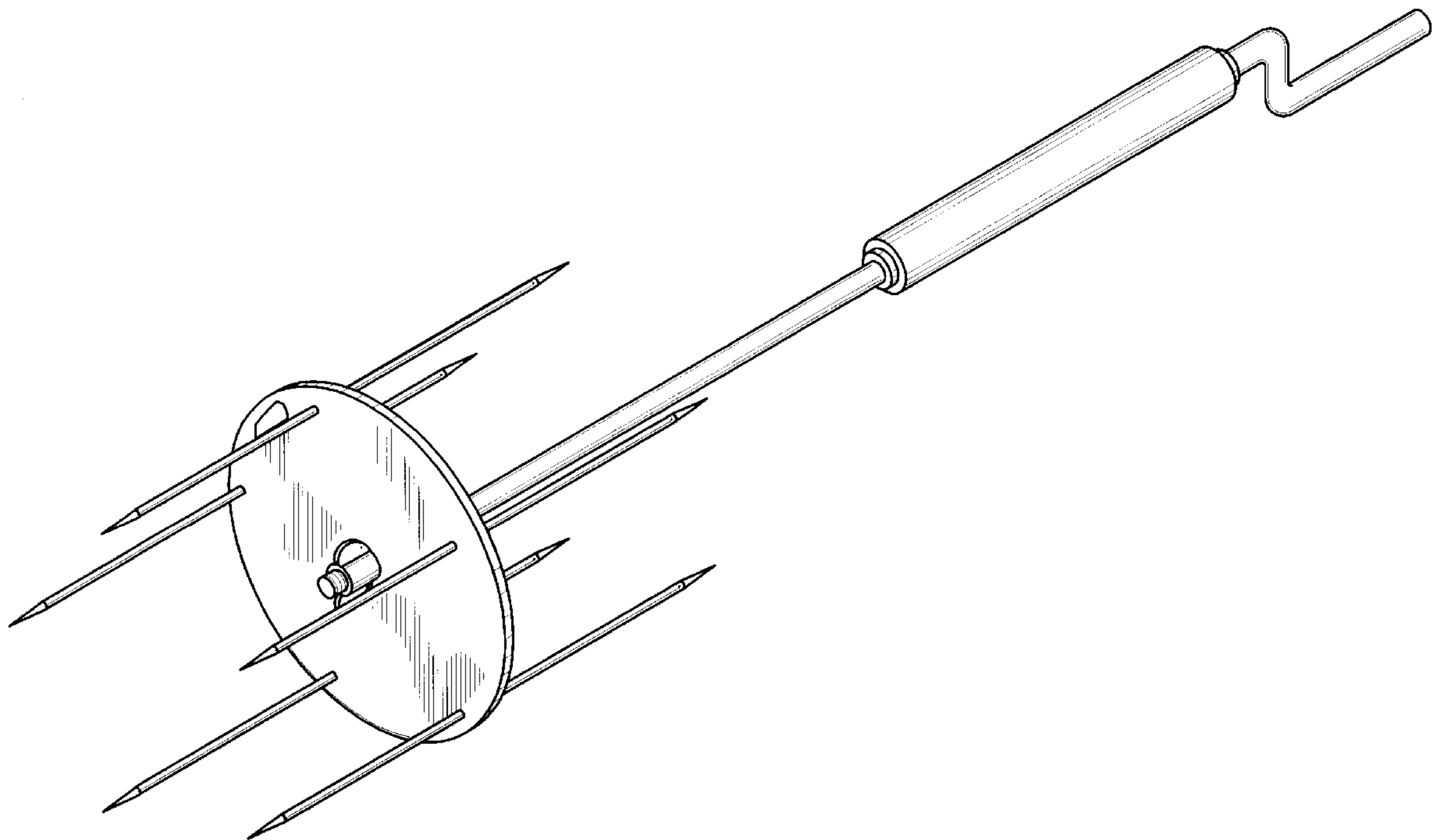


FIG. 1

FIG. 2

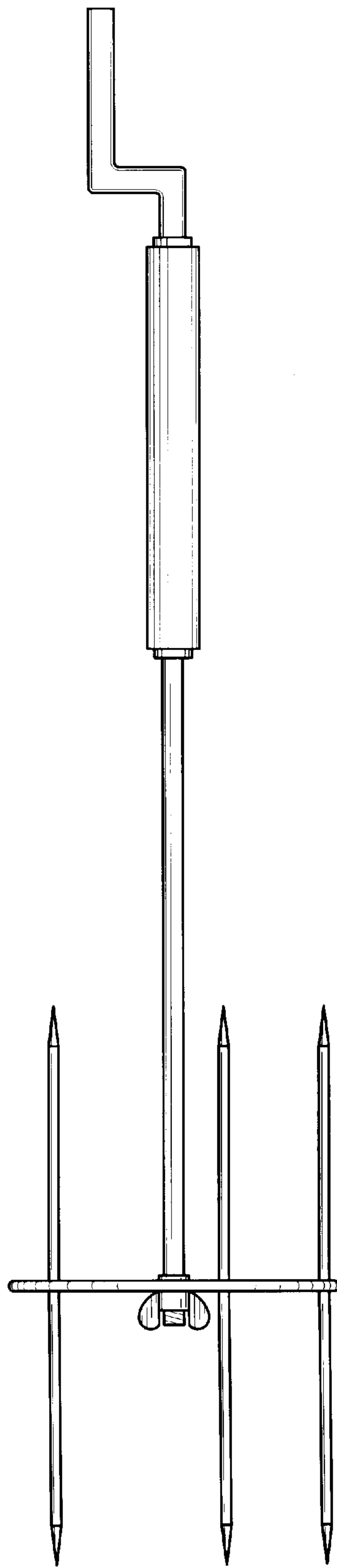
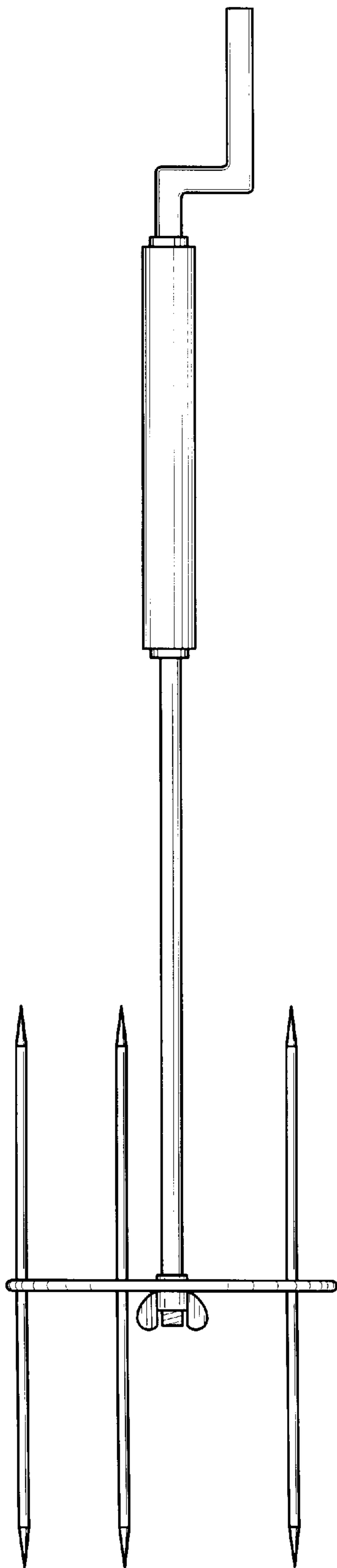


FIG. 3

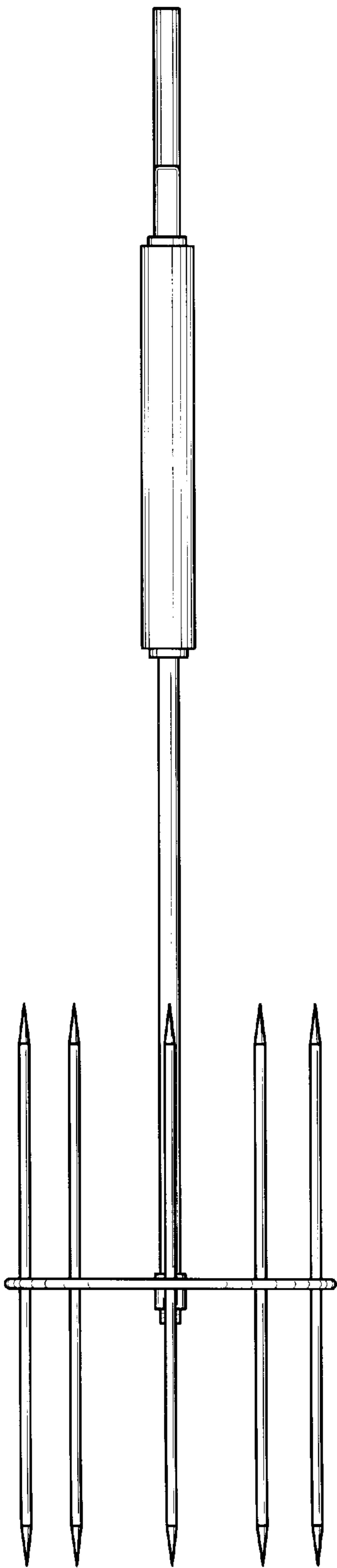


FIG. 4

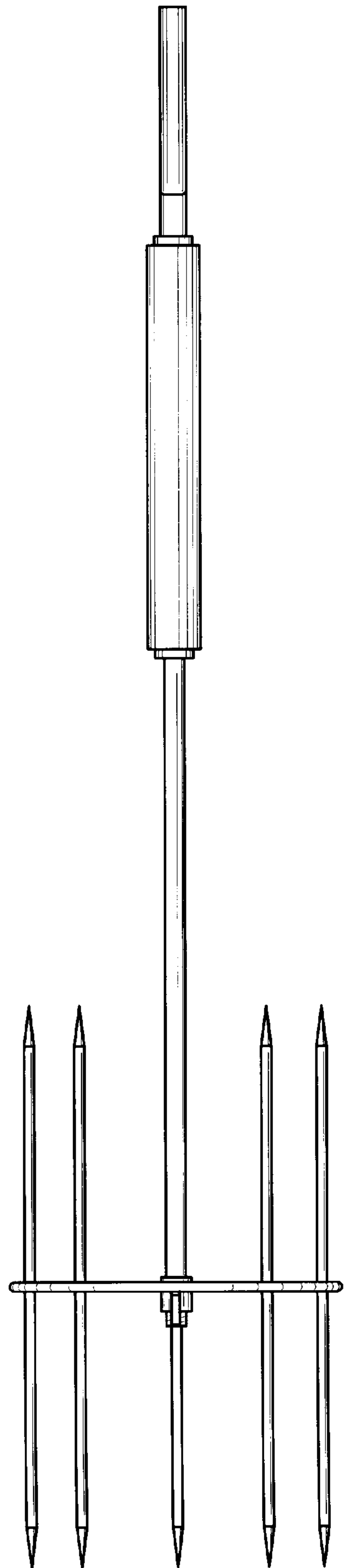


FIG. 5

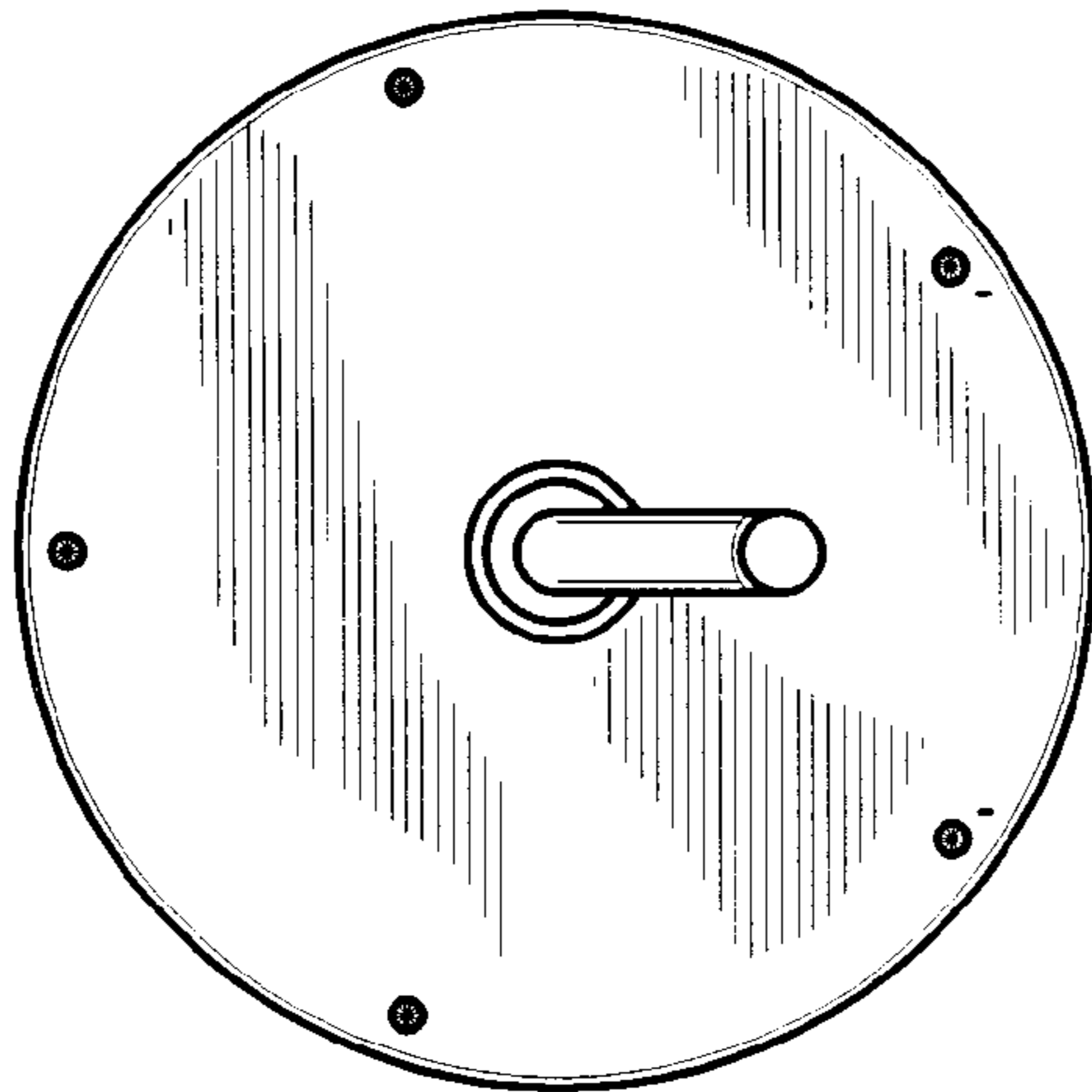
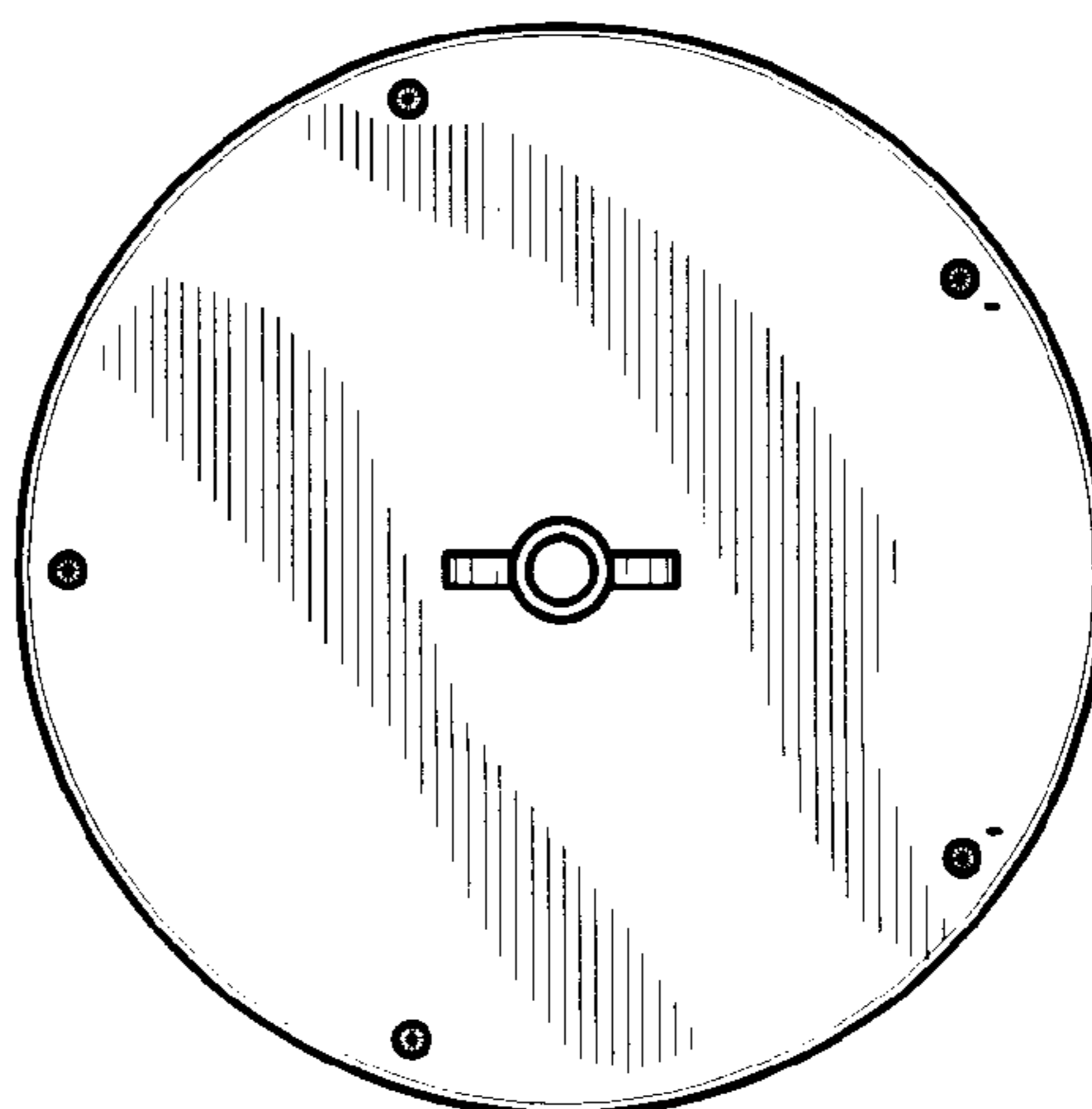


FIG. 6



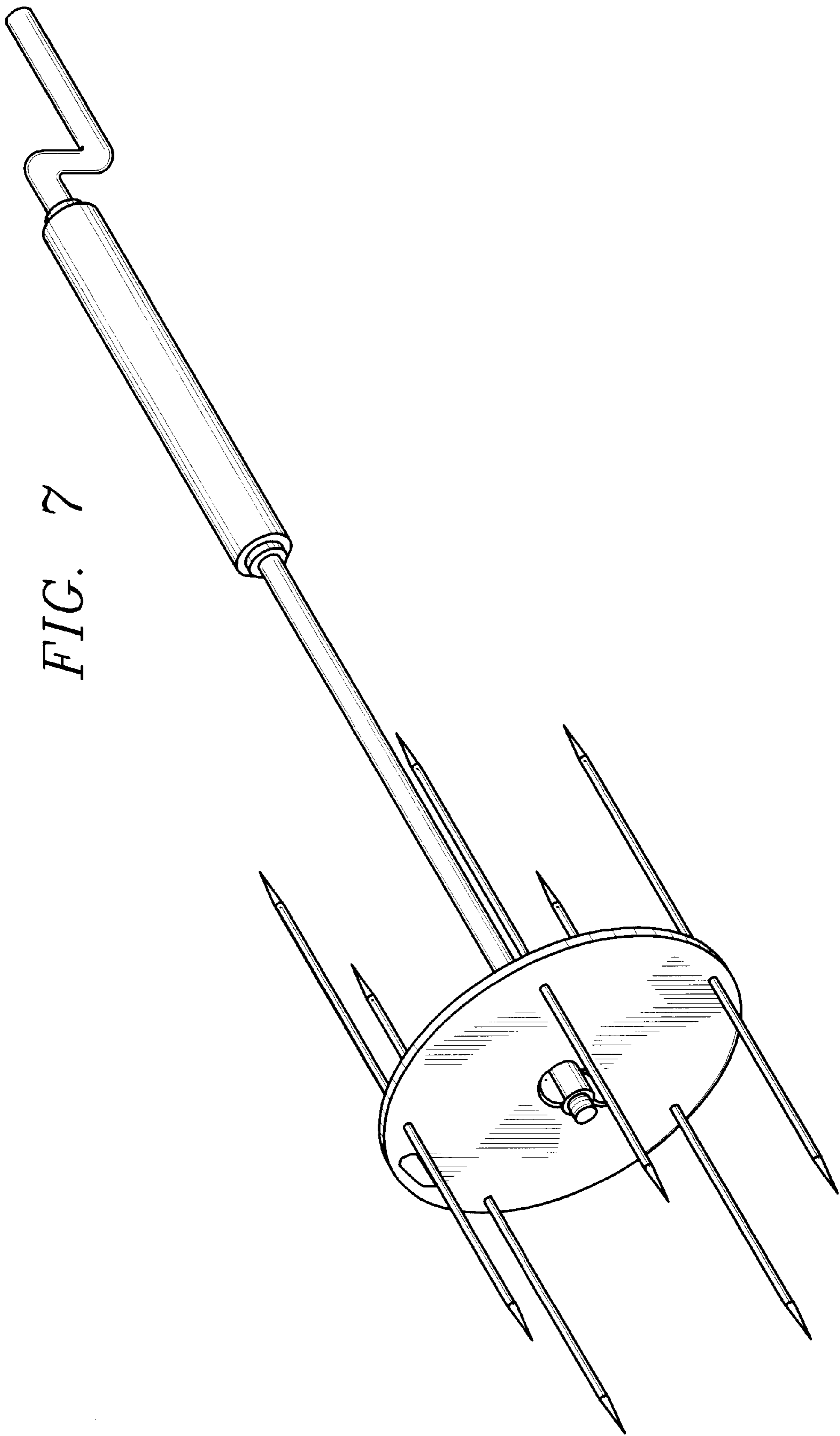


FIG. 7