



US00D409044S

United States Patent [19]
Liu

[11] **Patent Number: Des. 409,044**

[45] **Date of Patent: ** May 4, 1999**

[54] **HANDLE BASE FOR TUMBLERS**

[75] Inventor: **Anita Suk Ping Liu**, Orlando, Fla.

[73] Assignee: **Dart Industries Inc.**, Orlando, Fla.

[**] Term: **14 Years**

[21] Appl. No.: **29/092,928**

[22] Filed: **Aug. 31, 1998**

[51] **LOC (6) Cl.** **07-99**

[52] **U.S. Cl.** **D7/396.6; D7/396.2; D7/622**

[58] **Field of Search** D7/619, 620, 621,
D7/622, 624, 396.2, 387, 388, 392.1, 396.1,
396.6, 507, 505, 534, 536; 248/311.2; 220/669;
224/926

[56] **References Cited**

U.S. PATENT DOCUMENTS

D. 225,437 12/1972 Killigrew D7/619
D. 346,932 5/1994 Cautereels et al. D7/507

D. 354,416 1/1995 Cautereels et al. D7/507
1,381,536 6/1921 Bohlman D7/622 X
2,838,202 6/1958 Huether D7/622 X
2,896,812 7/1959 Paprocki D7/622 X

Primary Examiner—M. N. Pandozzi
Attorney, Agent, or Firm—Taylor J. Ross

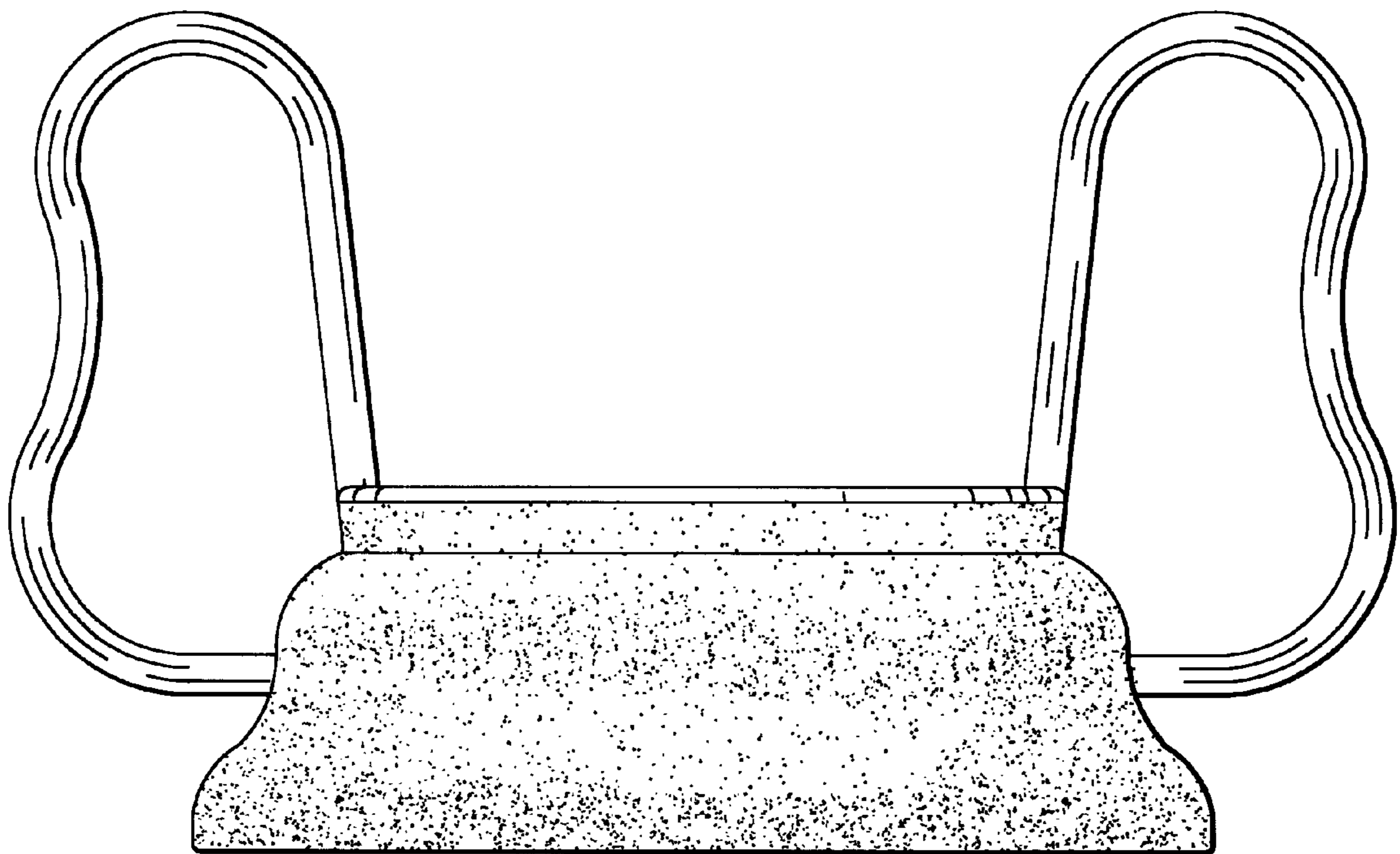
[57] **CLAIM**

The ornamental design for a handle base for tumblers, as shown and described.

DESCRIPTION

FIG. 1 is a top, side and front perspective view of a handle base for tumblers showing the new design;
FIG. 2 is a front elevation view thereof;
FIG. 3 is a rear elevation view thereof;
FIG. 4 is a right side elevation view thereof;
FIG. 5 is a left side elevation view thereof;
FIG. 6 is a top plan view thereof; and,
FIG. 7 is a bottom plan view thereof.

1 Claim, 3 Drawing Sheets



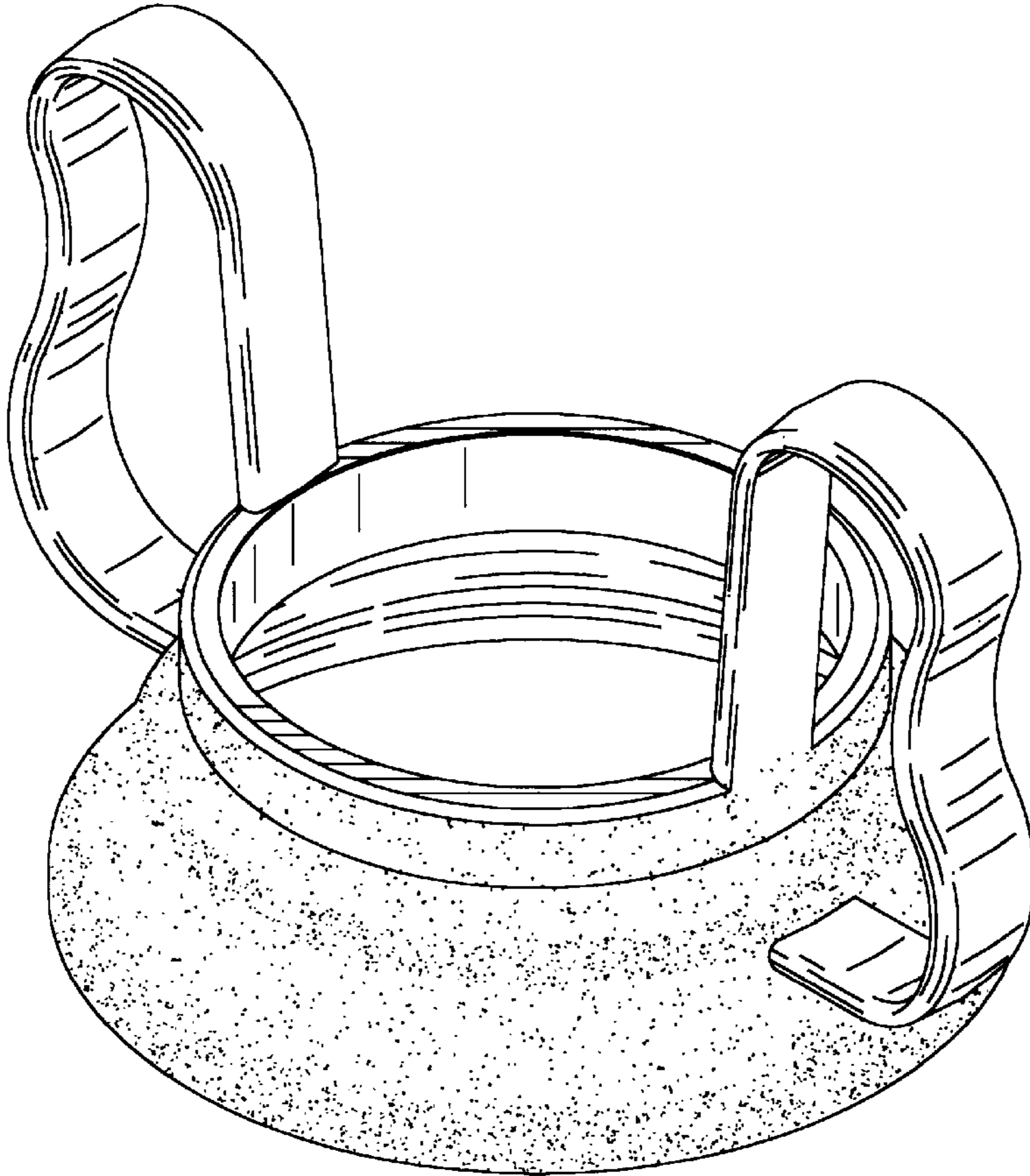


FIG. 1

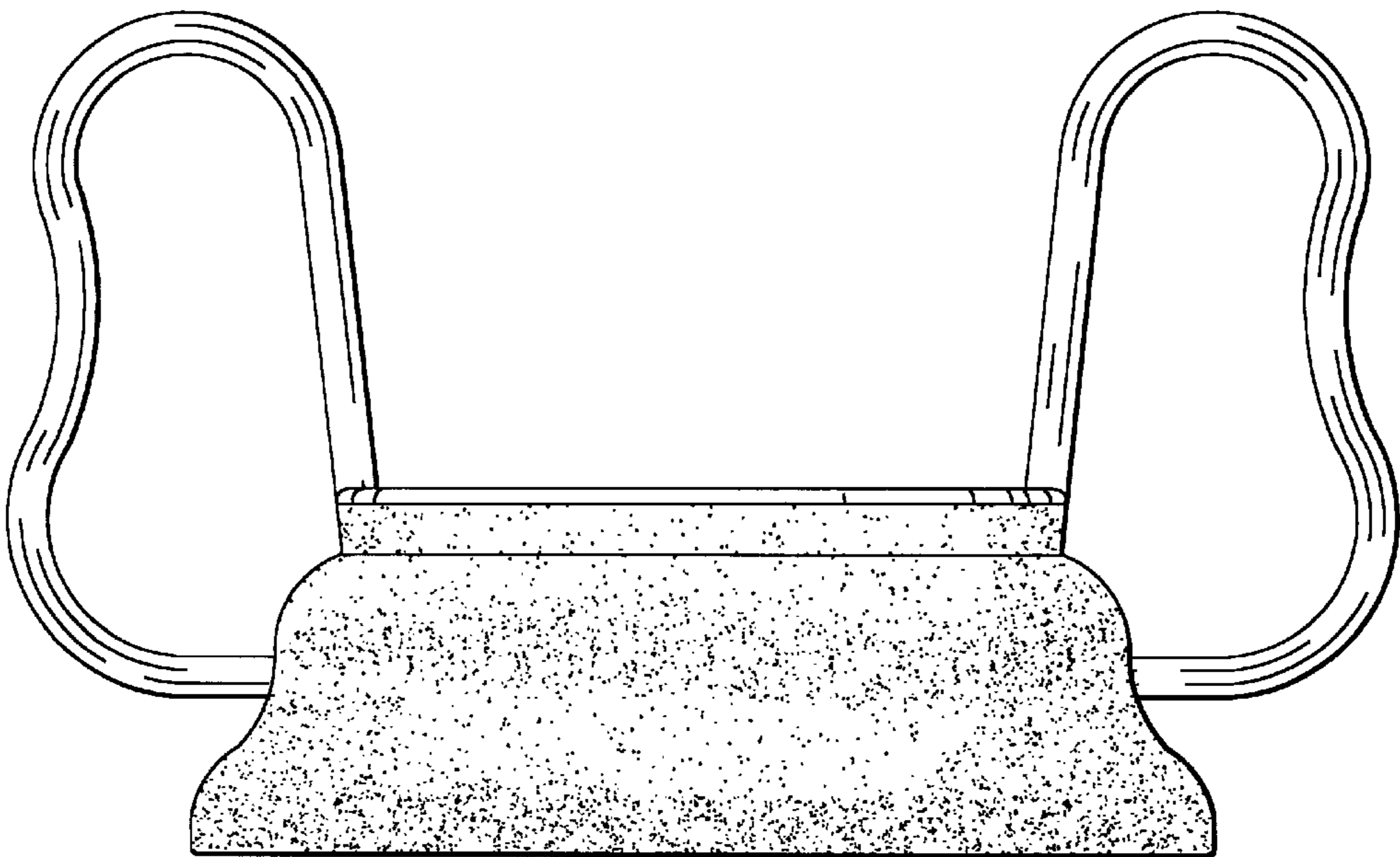


FIG. 2

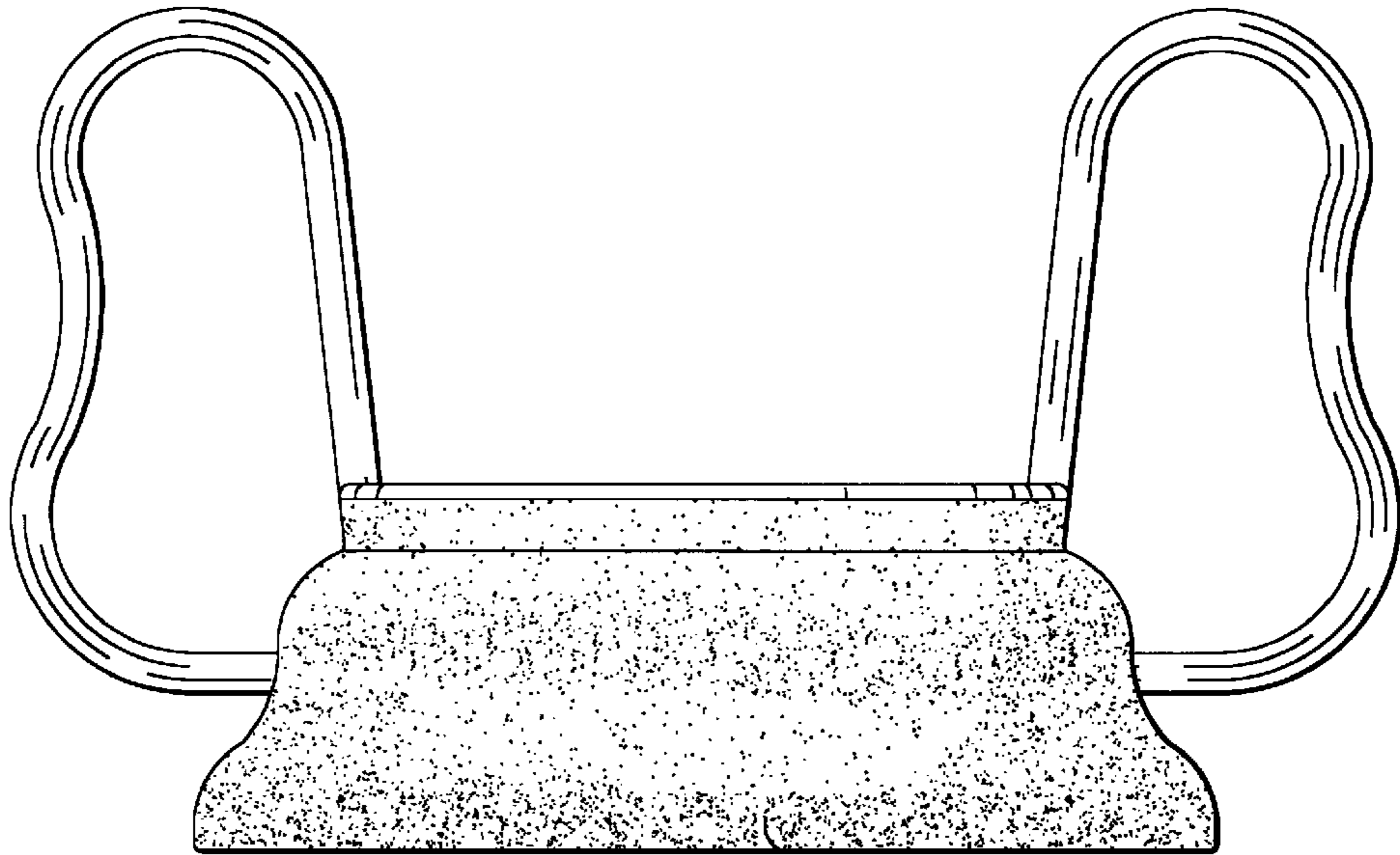


FIG. 3

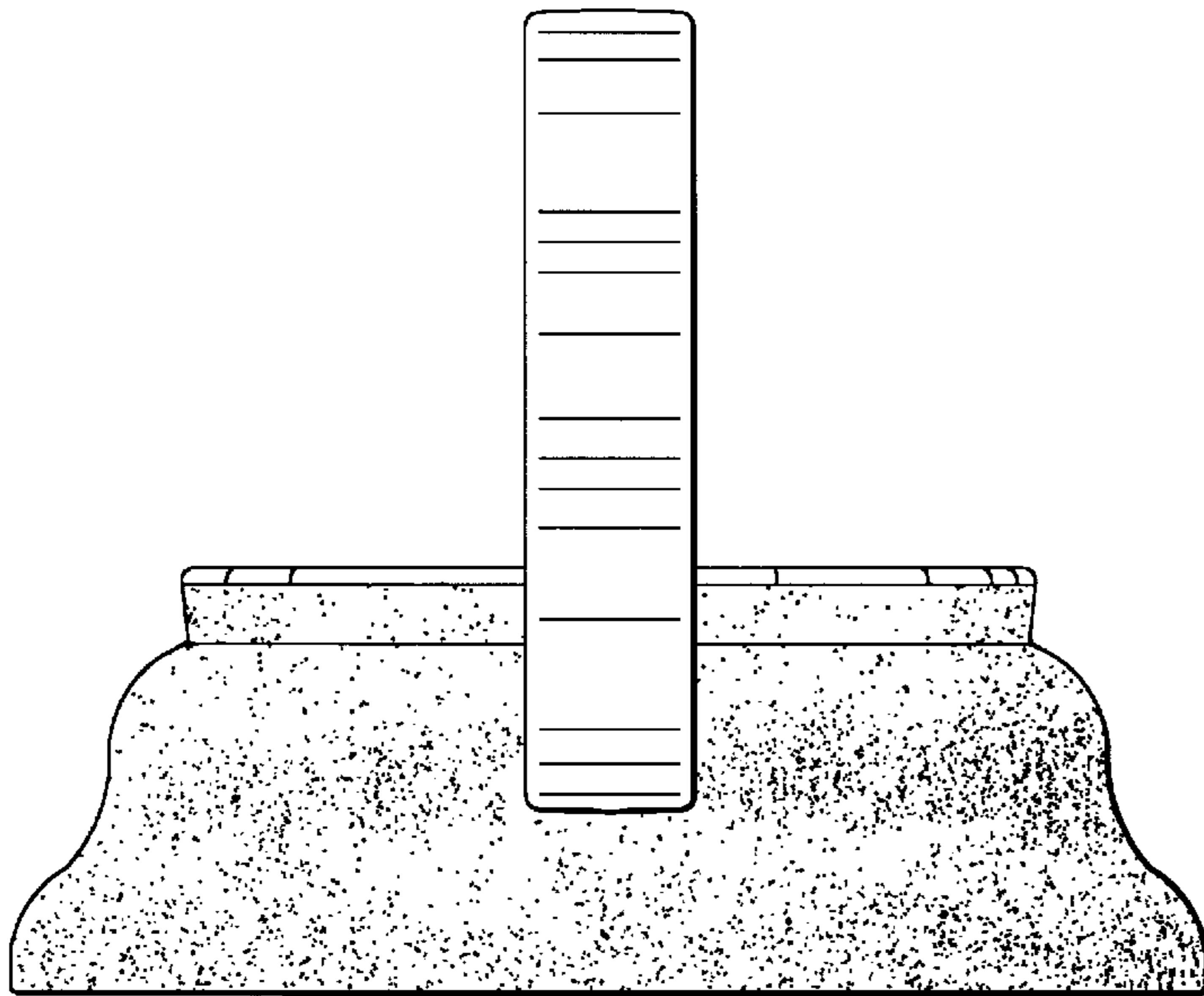


FIG. 4

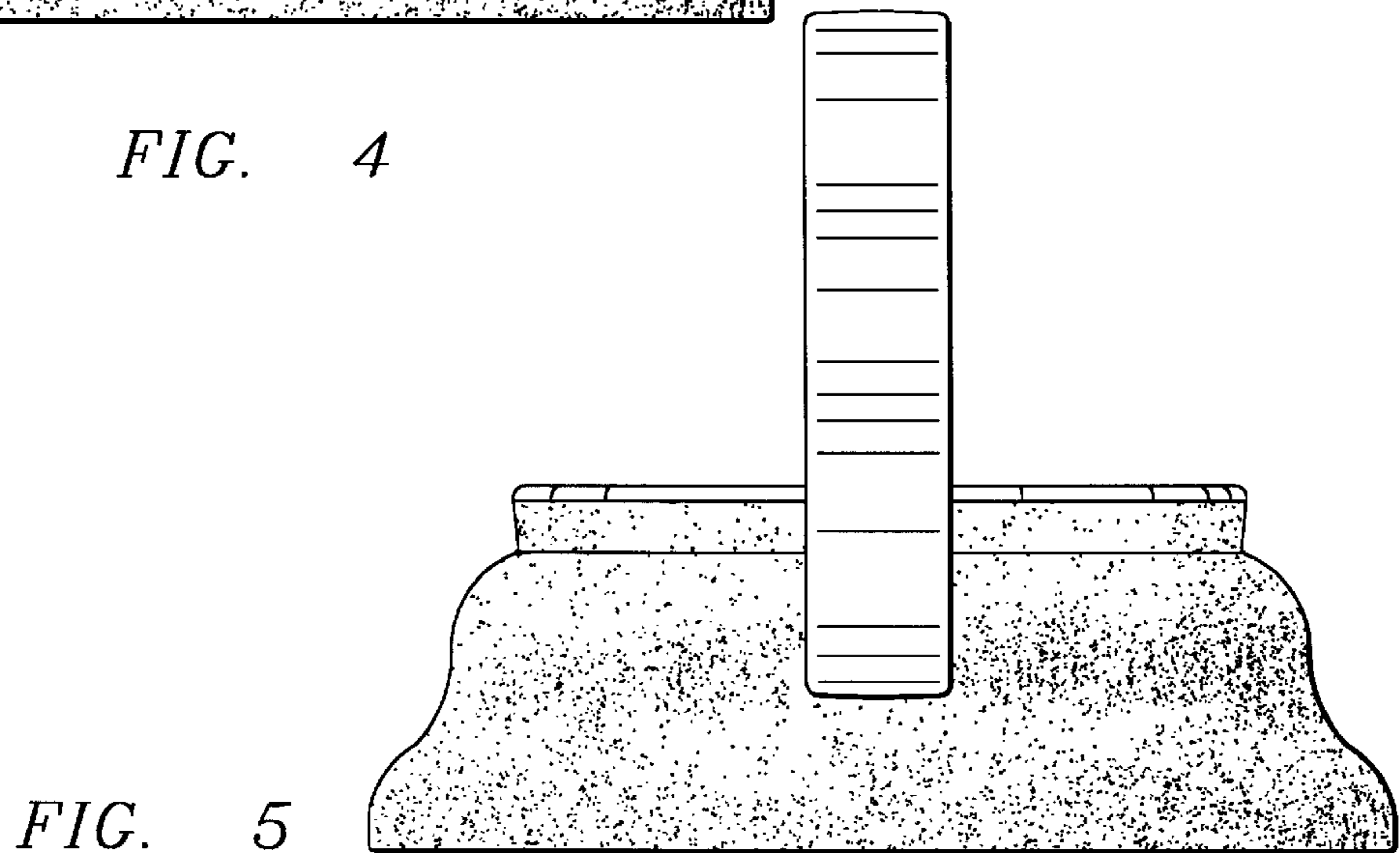


FIG. 5

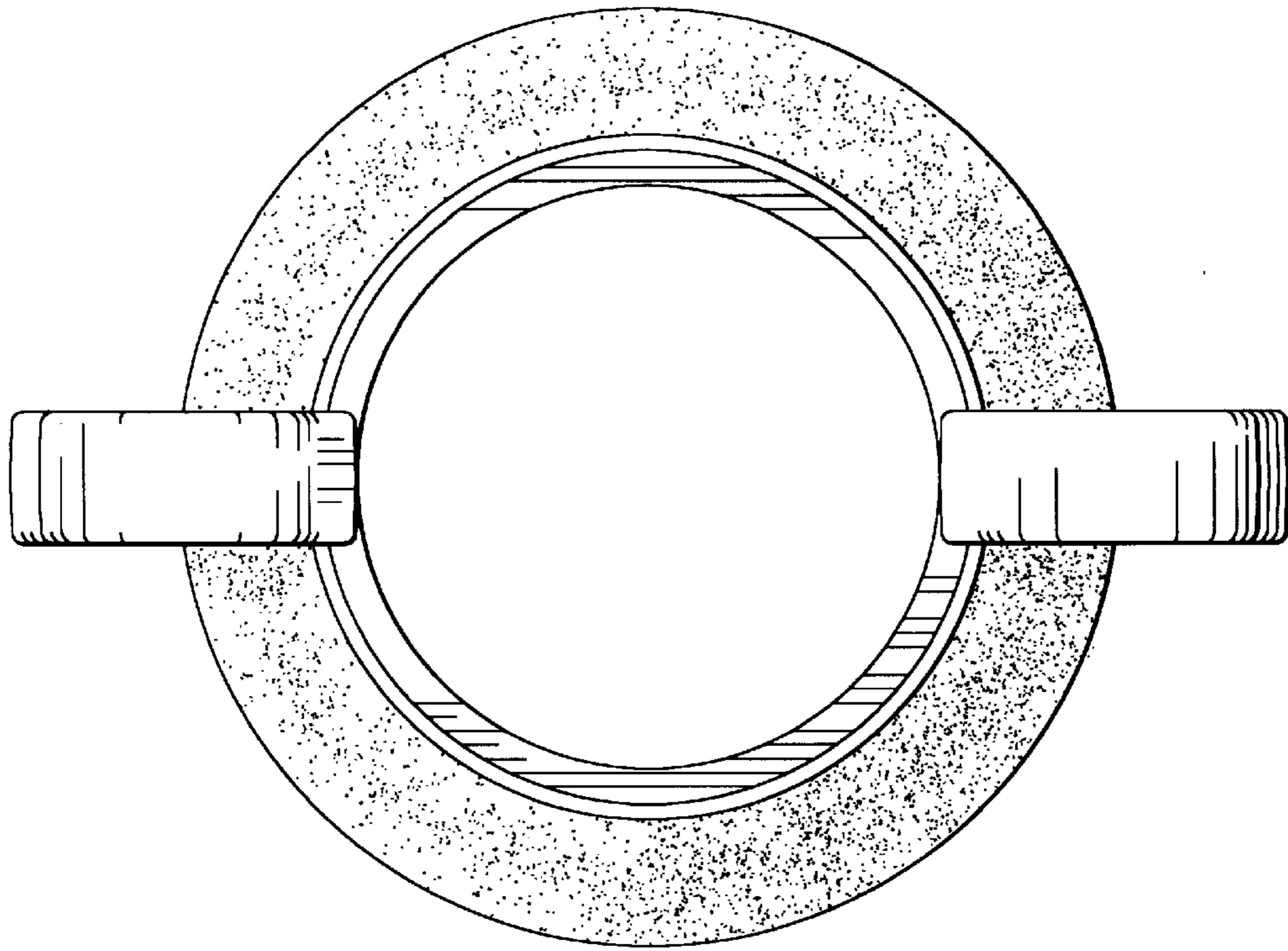


FIG. 6

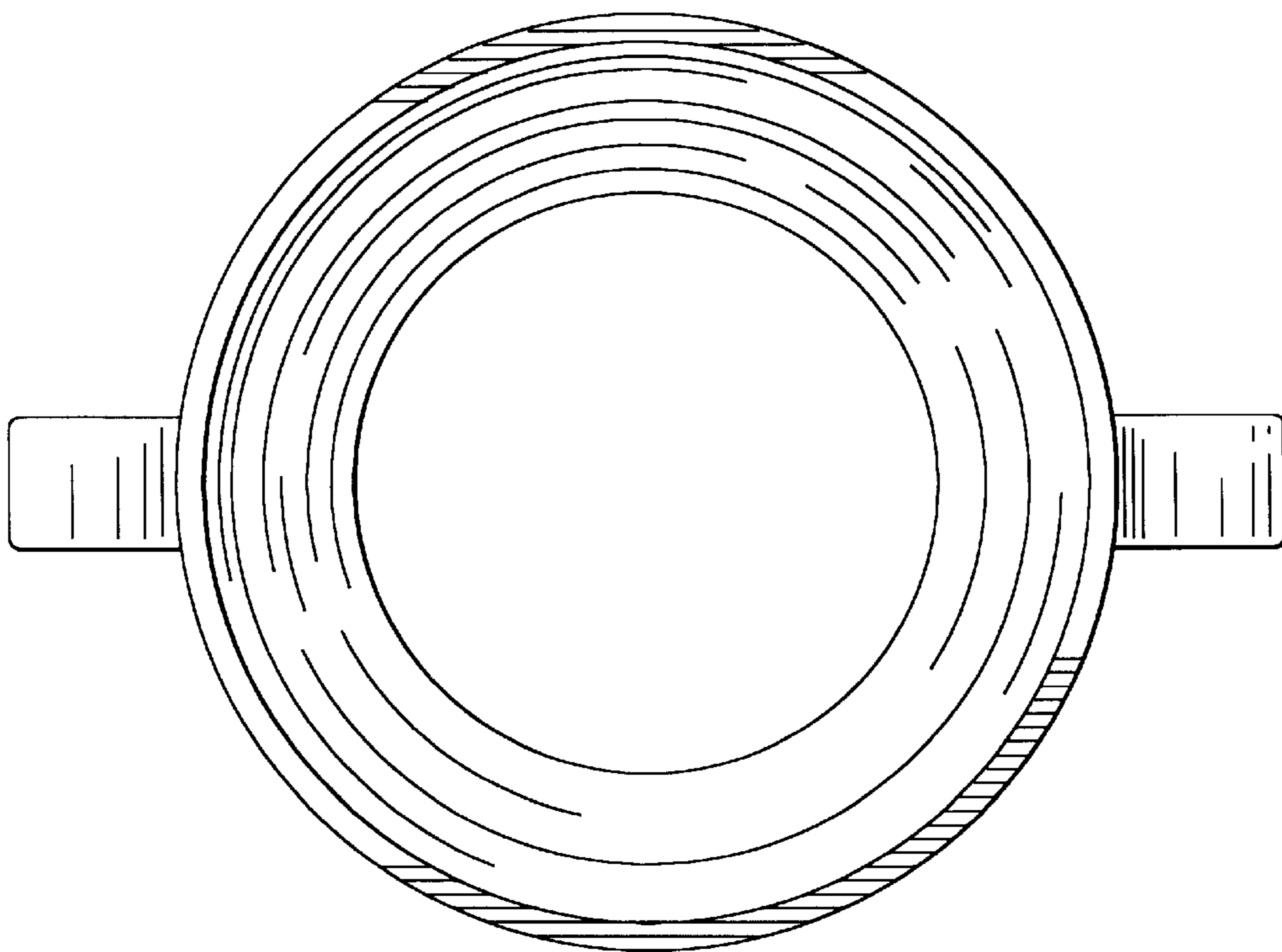


FIG. 7