



US00D409043S

United States Patent [19]
Lillelund et al.

[11] **Patent Number: Des. 409,043**

[45] **Date of Patent: ** May 4, 1999**

[54] **SEAL WITH CAP**

[75] Inventors: **Stig Lillelund**, Gentofte; **Jakob Heiberg**, Charlottenlund, both of Denmark

[73] Assignee: **Dart Industries Inc.**, Orlando, Fla.

[**] Term: **14 Years**

[21] Appl. No.: **29/075,726**

[22] Filed: **Aug. 22, 1997**

[51] **LOC (6) Cl.** **07-01**

[52] **U.S. Cl.** **D7/392; D7/392.1**

[58] **Field of Search** D7/391, 397, 392.1, D7/510, 511, 591, 300.1; D9/440, 443, 445, 446, 454; 220/DIG. 13, 713, 375, 717, 715; 272/547

[56] **References Cited**

U.S. PATENT DOCUMENTS

D. 192,438	3/1962	Torongo .	
D. 200,018	1/1965	Brocken .	
D. 208,935	10/1967	Marien et al. .	
D. 233,116	10/1974	Swett et al.	D7/300.1
D. 306,701	3/1990	Beck	D9/446
D. 314,147	1/1991	Davis	D9/446
D. 319,786	9/1991	Rayner .	
D. 339,068	9/1993	Bell et al.	D9/446 X
D. 357,863	5/1995	Picozza .	
D. 358,296	5/1995	Garneau	D7/510
D. 359,234	6/1995	Amin	D9/428
D. 362,186	9/1995	Thanisch	D9/446

D. 364,566	11/1995	Douer .	
D. 364,810	12/1995	Meisner	D9/446
D. 378,273	3/1997	Robbins, III et al. .	
D. 379,148	5/1997	Robbins, III et al. .	
D. 391,448	3/1998	Winer et al.	D7/510
1,568,691	1/1926	Pierson .	
1,740,223	12/1929	Burvenick .	
1,765,129	6/1930	Cooke .	
2,752,971	7/1956	Tupper .	
3,820,692	6/1974	Swett et al.	222/547

Primary Examiner—M. N. Pandozzi
Attorney, Agent, or Firm—John A. Doninger

[57] **CLAIM**

The ornamental design for a seal with cap, as shown and described.

DESCRIPTION

FIG. 1 is a top, side, and front perspective view of a seal with cap showing our new design; FIG. 2 is an front elevation view thereof; FIG. 3 is a rear elevation view thereof; FIG. 4 is a side elevation view thereof, the opposite side elevation being a mirror image thereof; FIG. 5 is a side elevational view thereof with the cap portion in open position; FIG. 6 is a top plan view thereof; and, FIG. 7 is a bottom plan view thereof. The broken line showing of a vessel in FIG. 1 is for illustrative purposes only and forms no part of the claimed design.

1 Claim, 3 Drawing Sheets

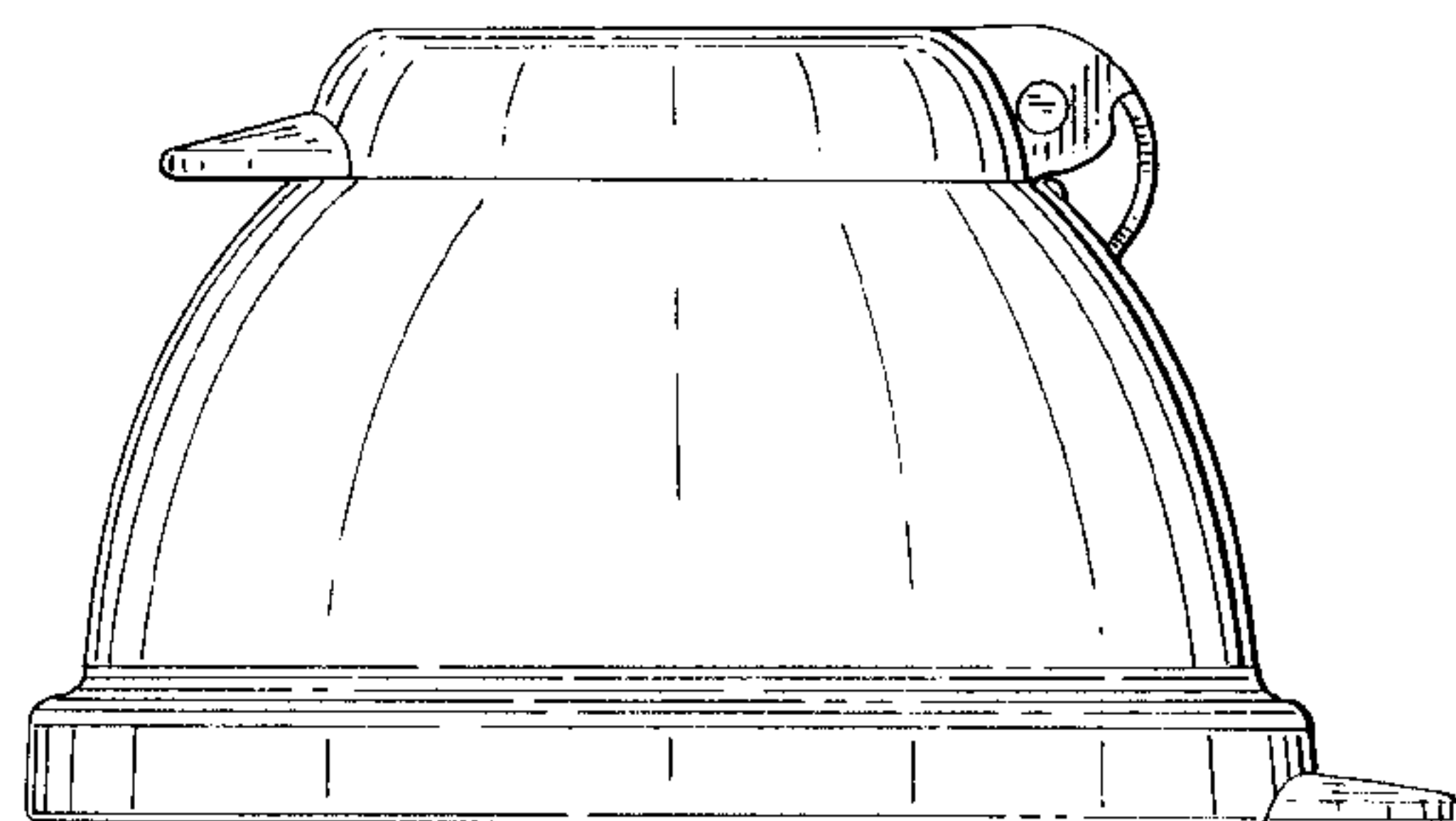
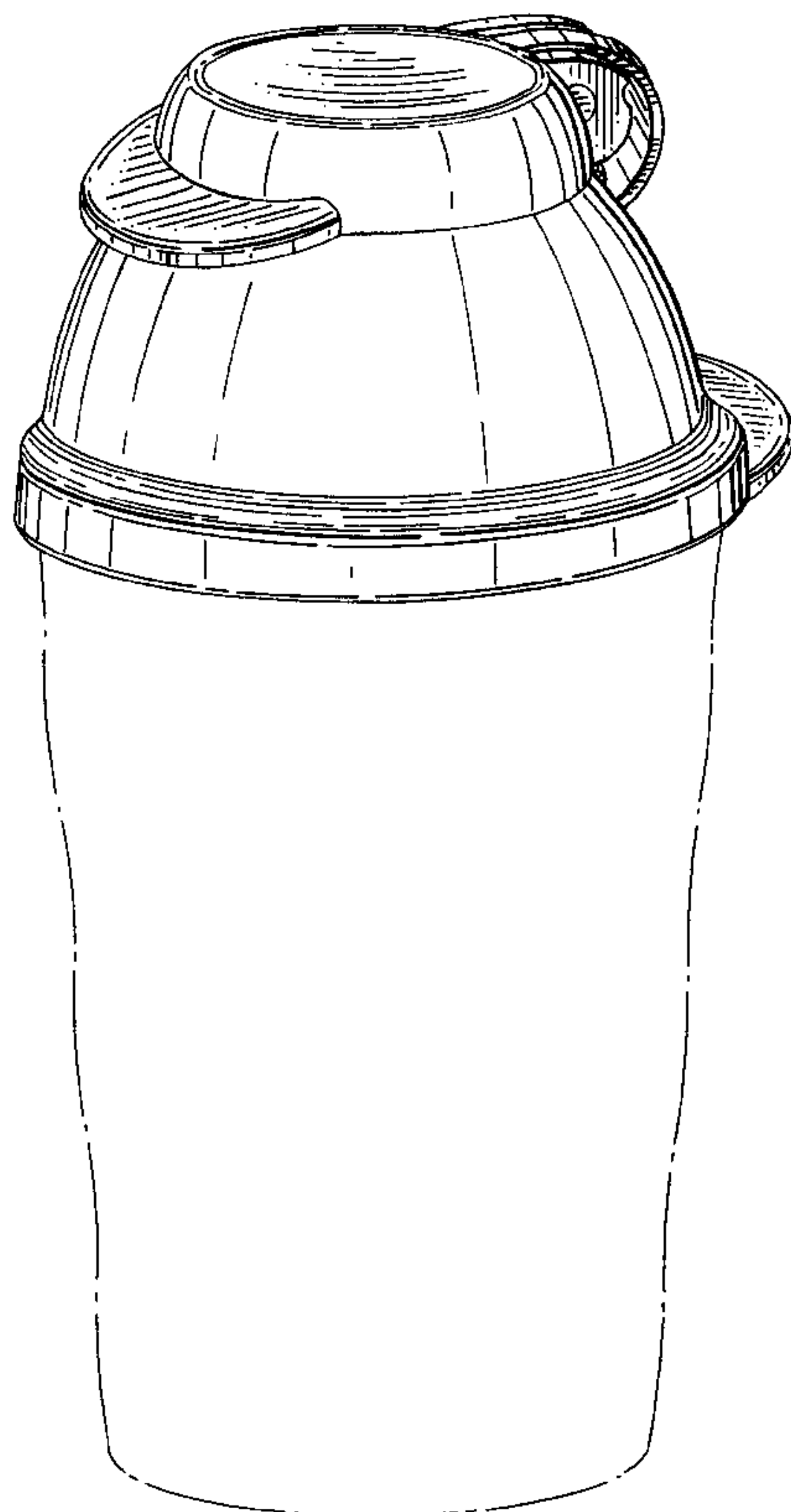


FIG. 1

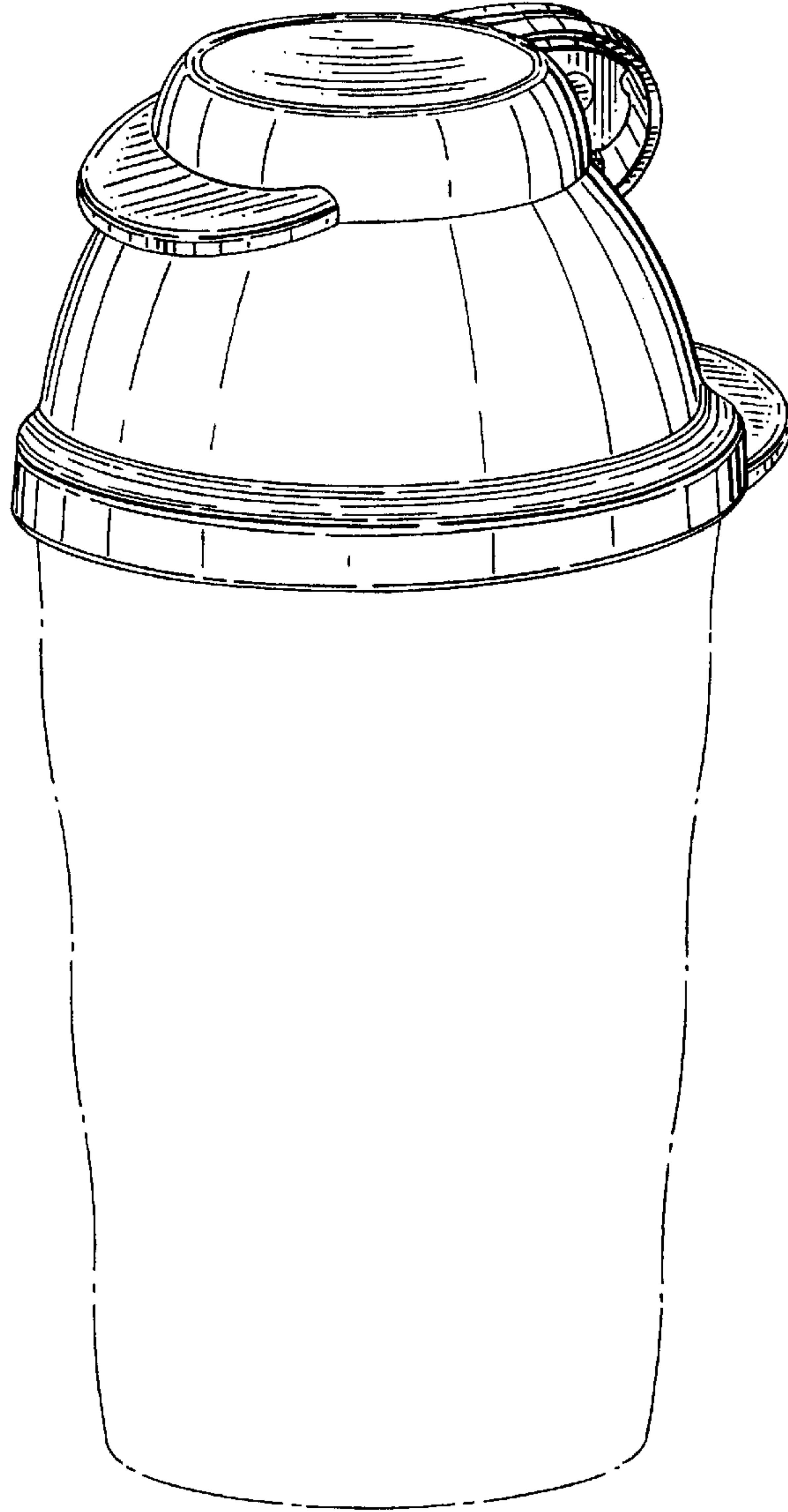


FIG. 2

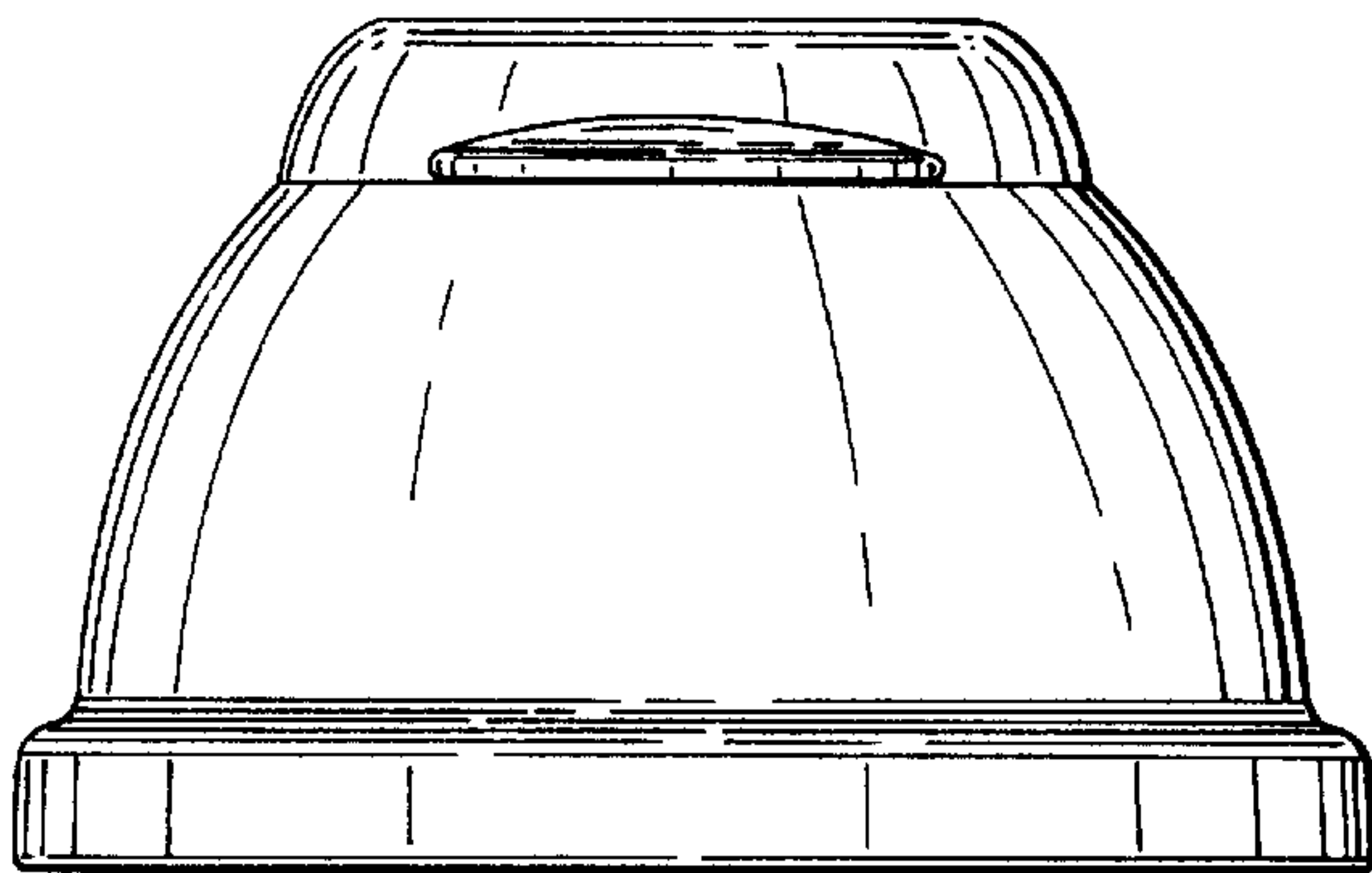


FIG. 3

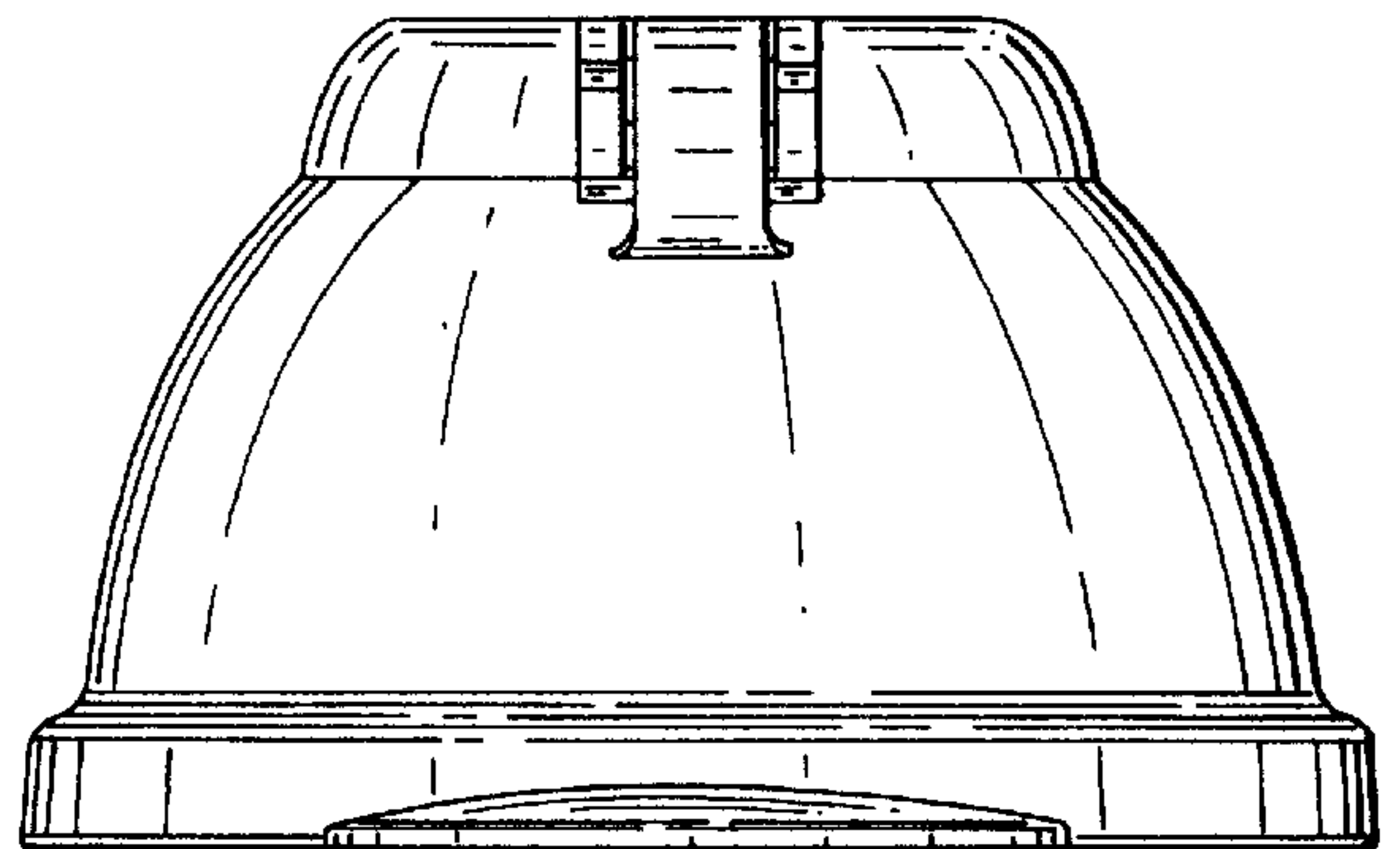


FIG. 4

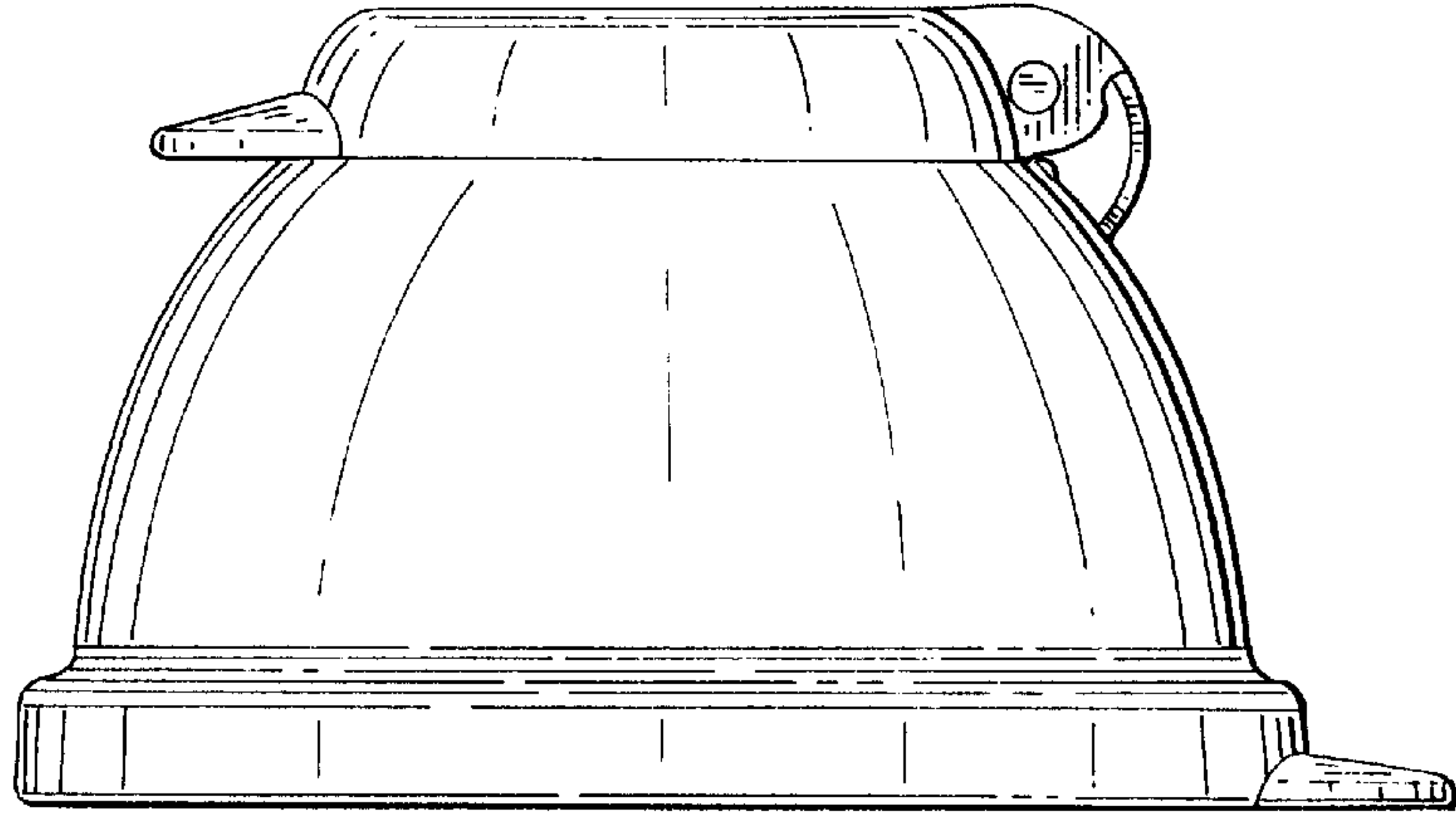


FIG. 5

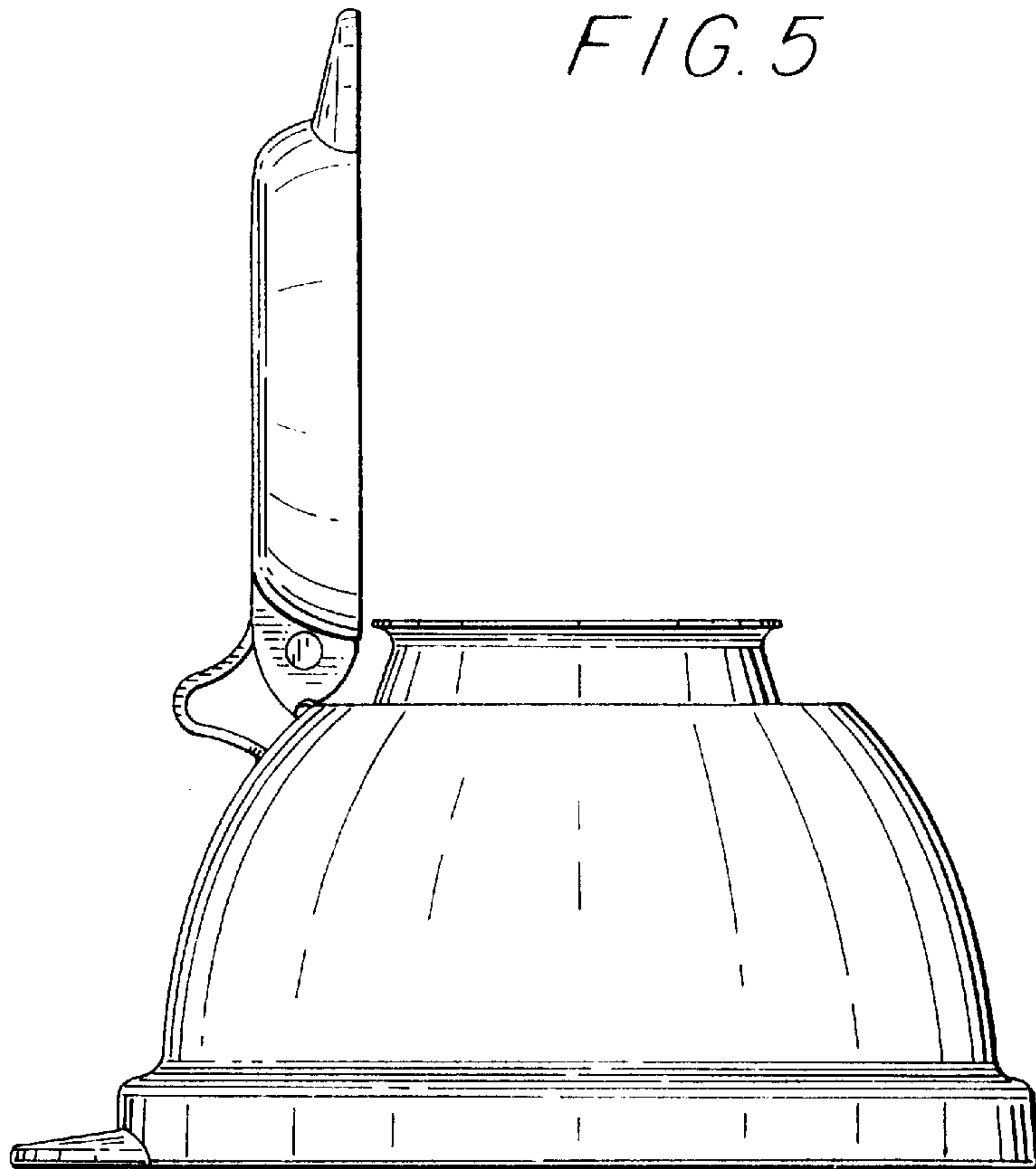


FIG. 6

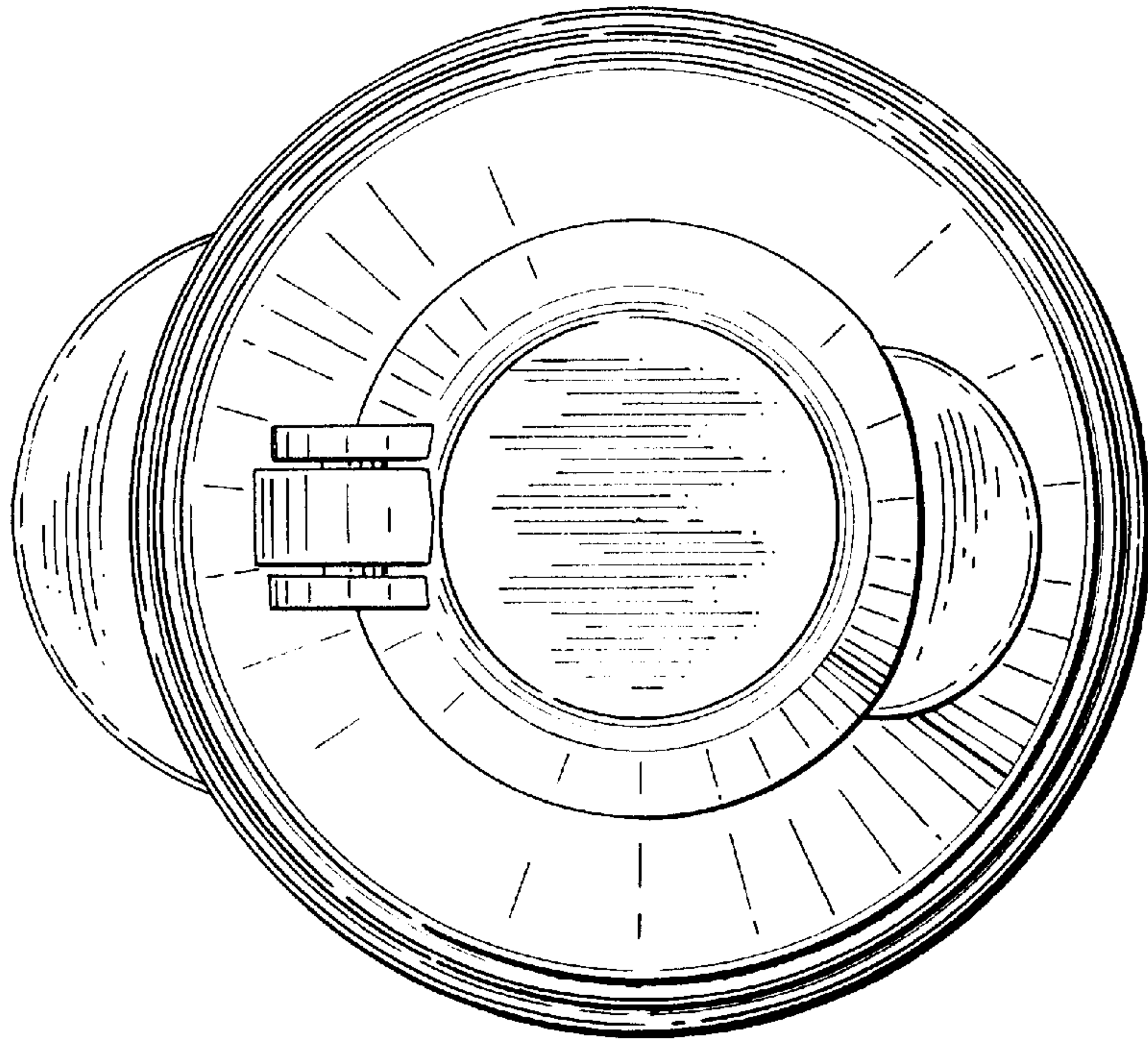


FIG. 7

