



US00D409042S

United States Patent [19] Cossy

[11] **Patent Number: Des. 409,042**

[45] **Date of Patent: ** May 4, 1999**

[54] **TABLE GRILL**

[75] **Inventor: Eric Cossy, Eschlikon, Switzerland**

[73] **Assignee: SIGG AG Haushaltgeräte, Frauenfeld, Switzerland**

[**] **Term: 14 Years**

[21] **Appl. No.: 29/080,440**

[22] **Filed: Dec. 9, 1997**

[51] **LOC (6) Cl. 07-02**

[52] **U.S. Cl. D7/362; D7/352**

[58] **Field of Search** D7/362-367, 352,
D7/332, 337, 346, 402, 357, 360, 323;
99/393, 374, 387, 448, 425, 442, 444-446,
450; 219/429, 432, 443, 458; 126/25 R,
41 R

[56] **References Cited**

U.S. PATENT DOCUMENTS

- D. 266,306 9/1982 Ansel D7/352
- D. 369,271 4/1996 Doumeng D7/357

- D. 374,790 10/1996 Hsu D7/352
- 2,255,466 9/1941 Jenkins 219/19
- 2,556,808 6/1951 Harris 99/423
- 4,062,275 12/1977 Appel et al. 99/393
- 4,487,116 12/1984 Routhier 99/339

Primary Examiner—Ruth McInroy
Attorney, Agent, or Firm—Pauley Petersen Kinne & Fejer

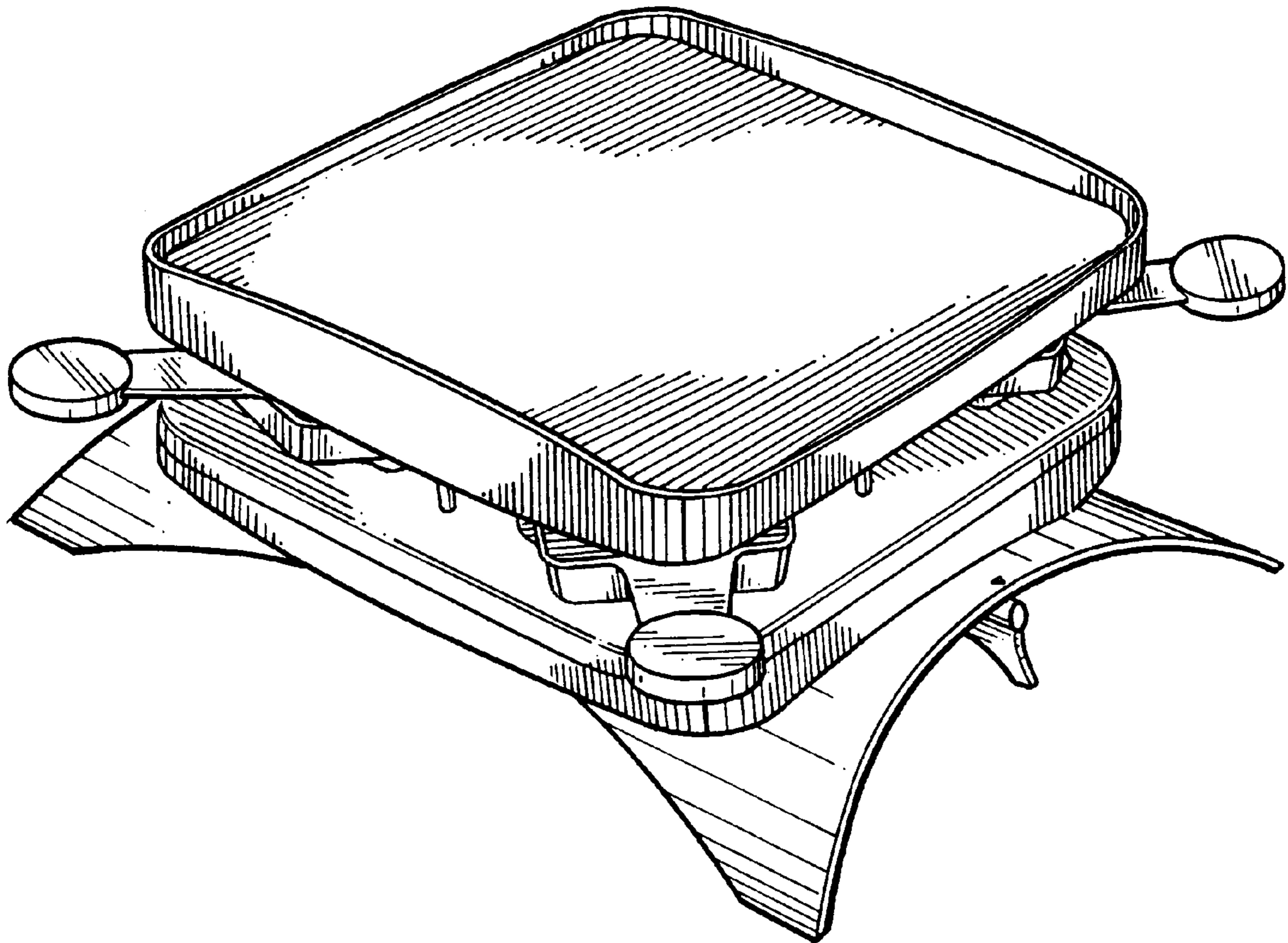
[57] **CLAIM**

The ornamental design of a table grill, as shown.

DESCRIPTION

FIG. 1 is a perspective view of a table grill, showing a cover mounted over the table grill showing my new design; FIG. 2 is a side view thereof; FIG. 3 is a side view of the opposite side of FIG. 2; FIG. 4 is a front view thereof; FIG. 5 is a rear view thereof; FIG. 6 is a top view thereof with the cover removed; FIG. 7 is a bottom view thereof; and, FIG. 8 is a top view thereof with the cover mounted over the table grill.

1 Claim, 4 Drawing Sheets



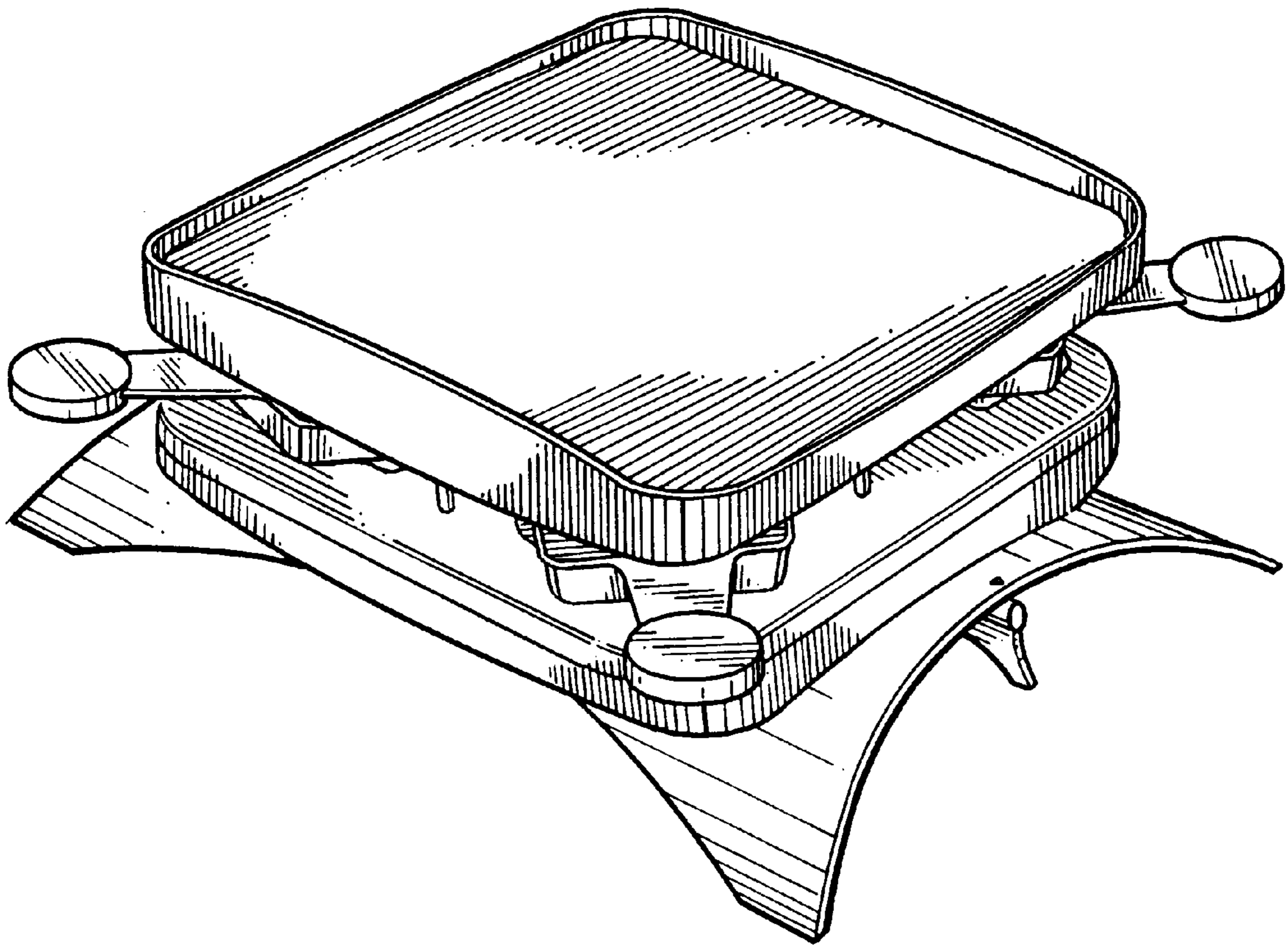


FIG. 1

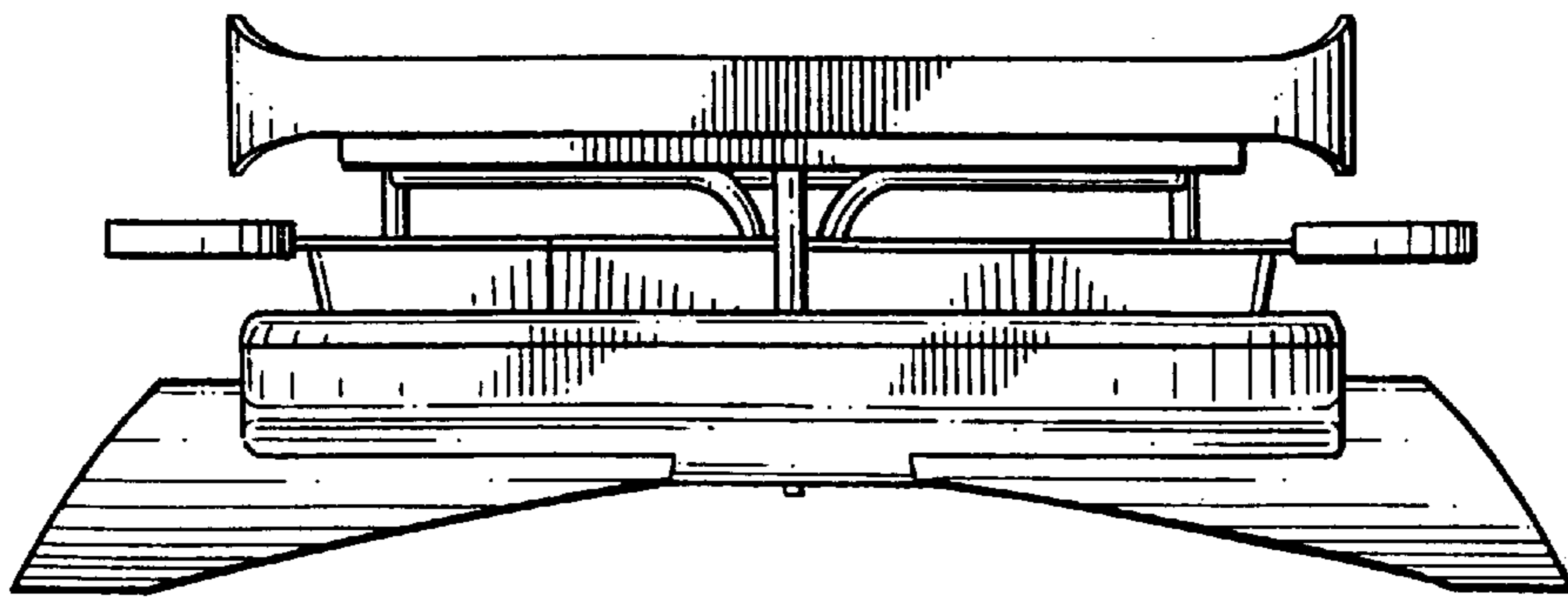


FIG. 2

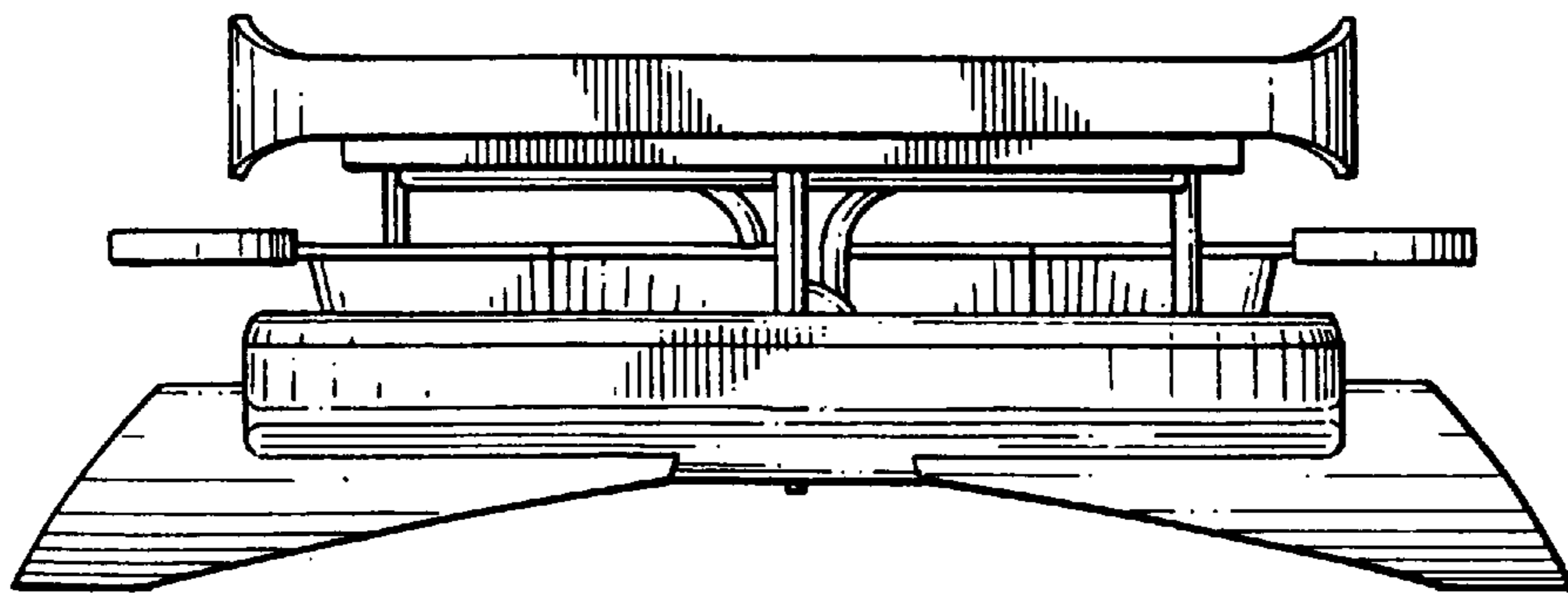


FIG. 3

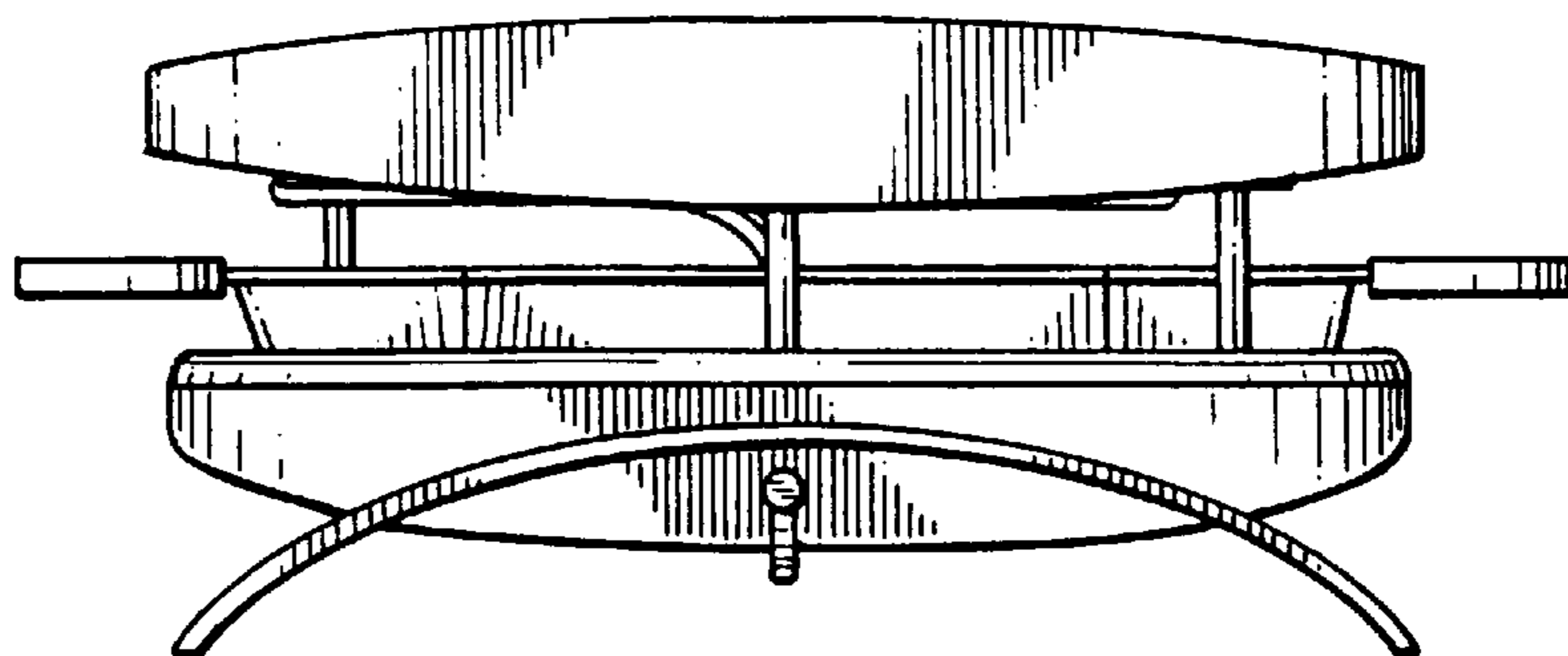


FIG. 4

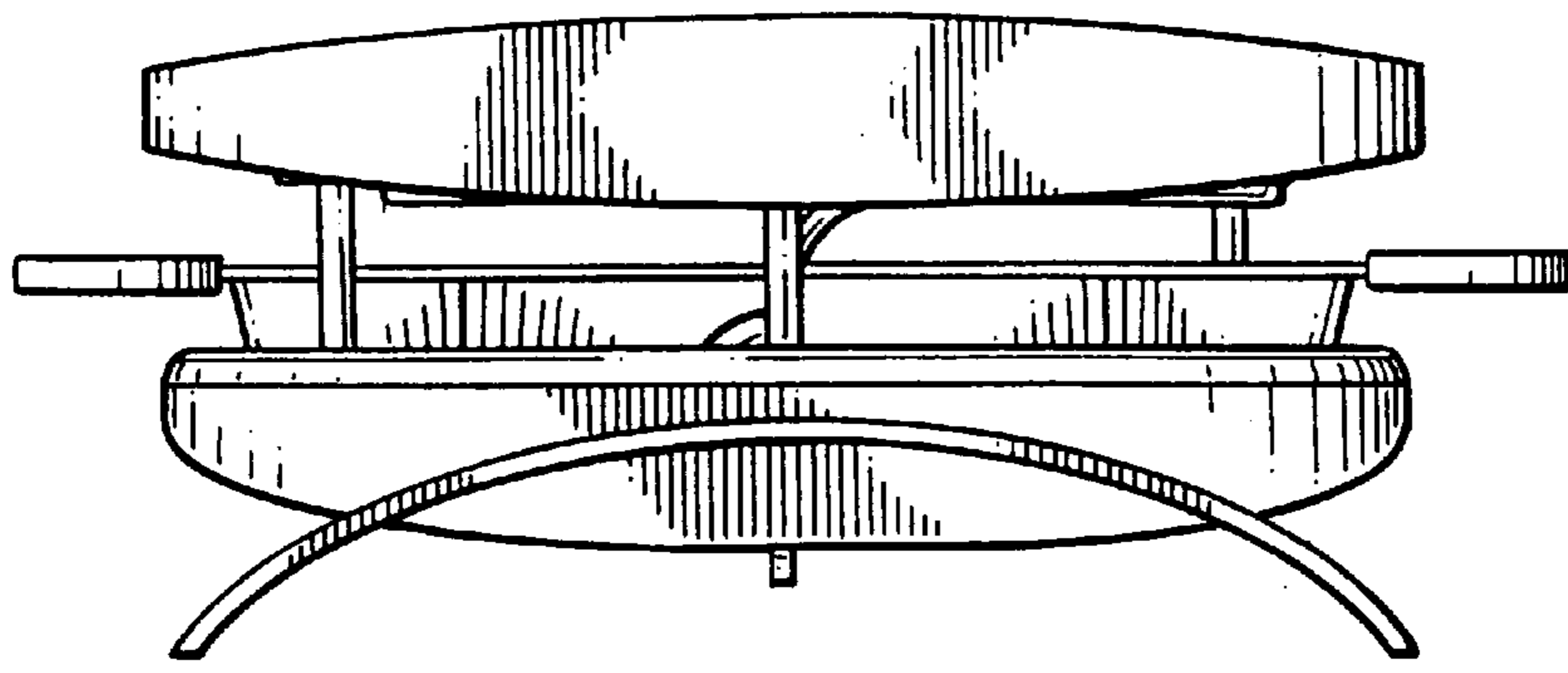


FIG. 5

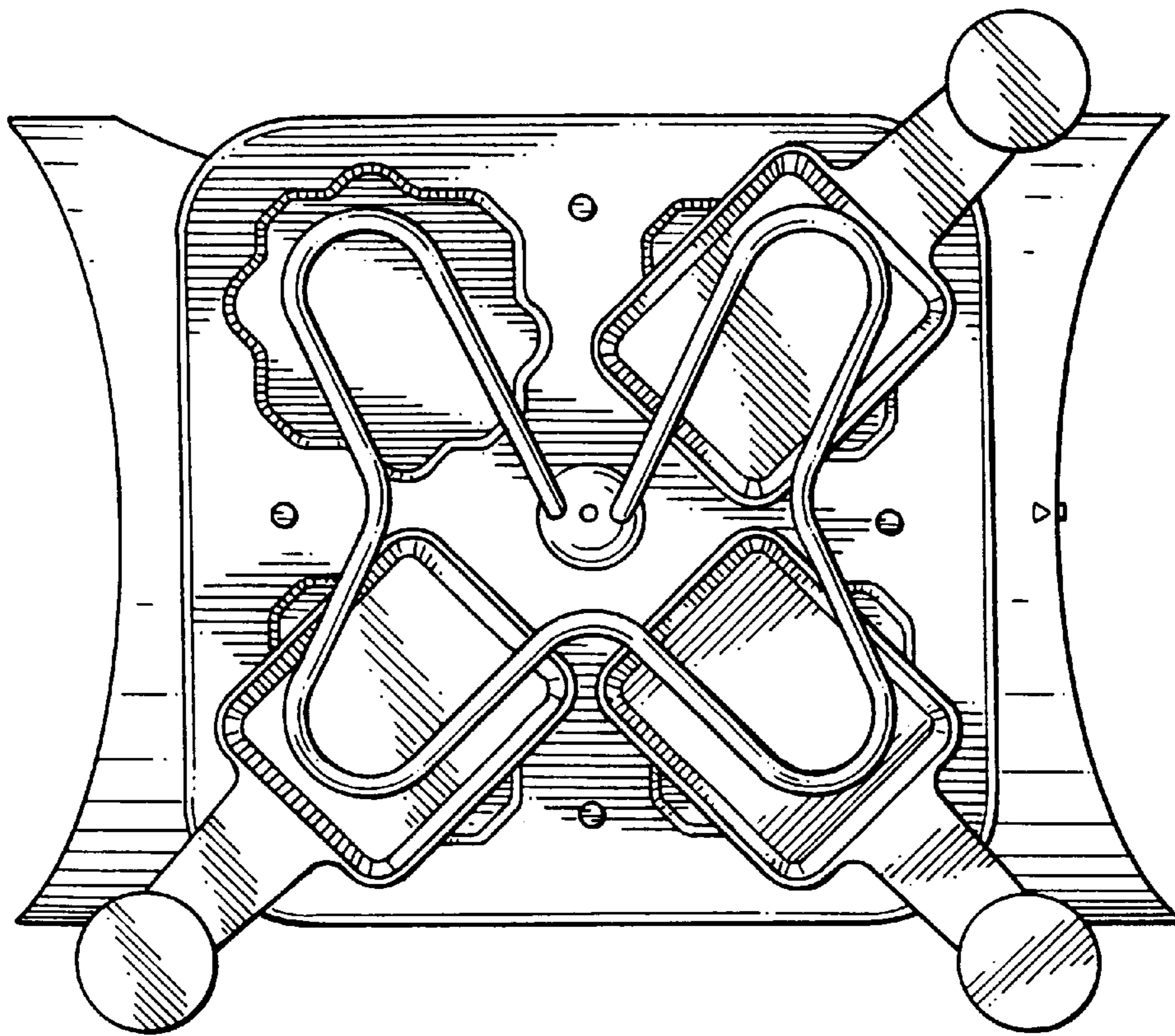


FIG. 6

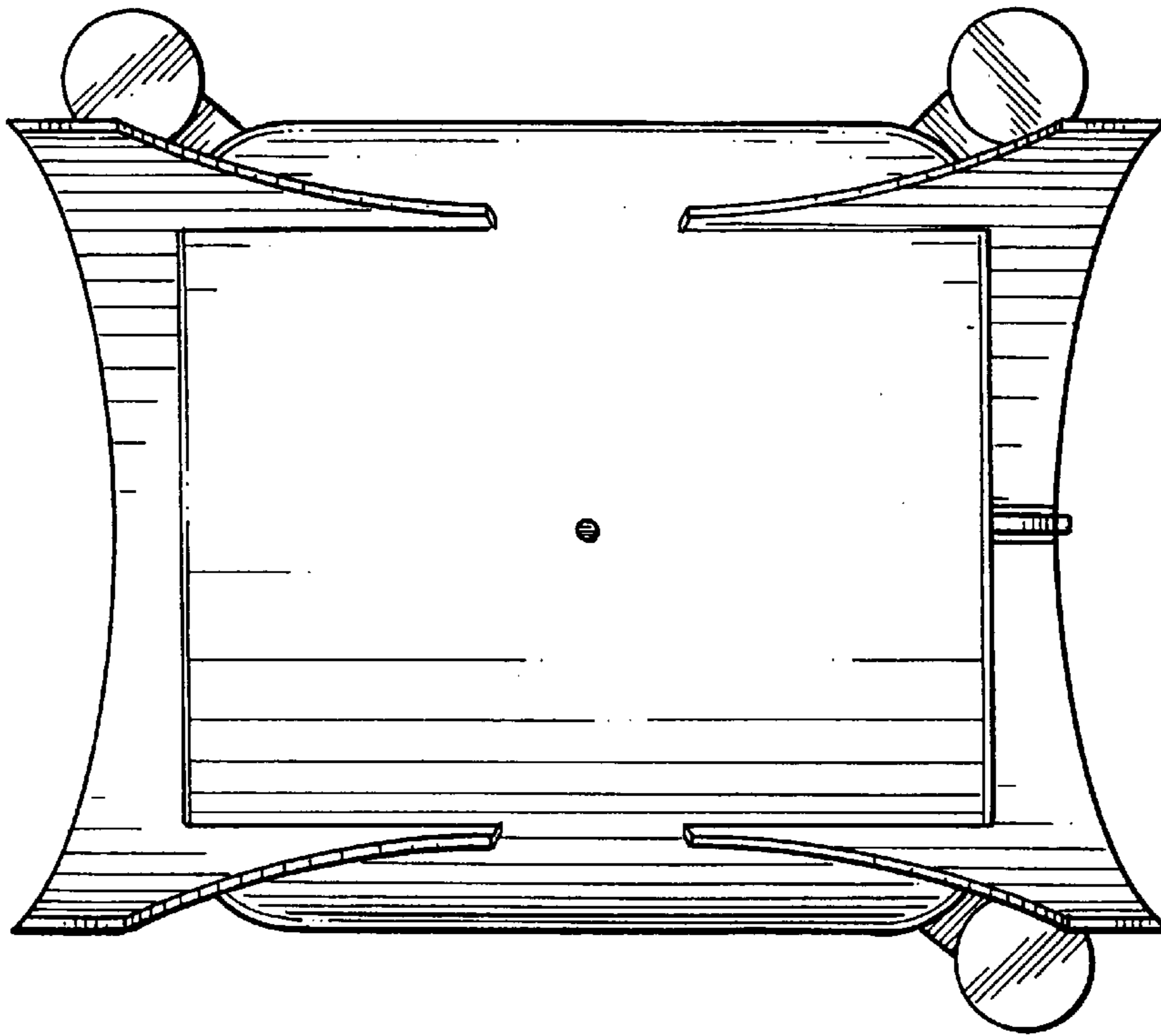


FIG. 7

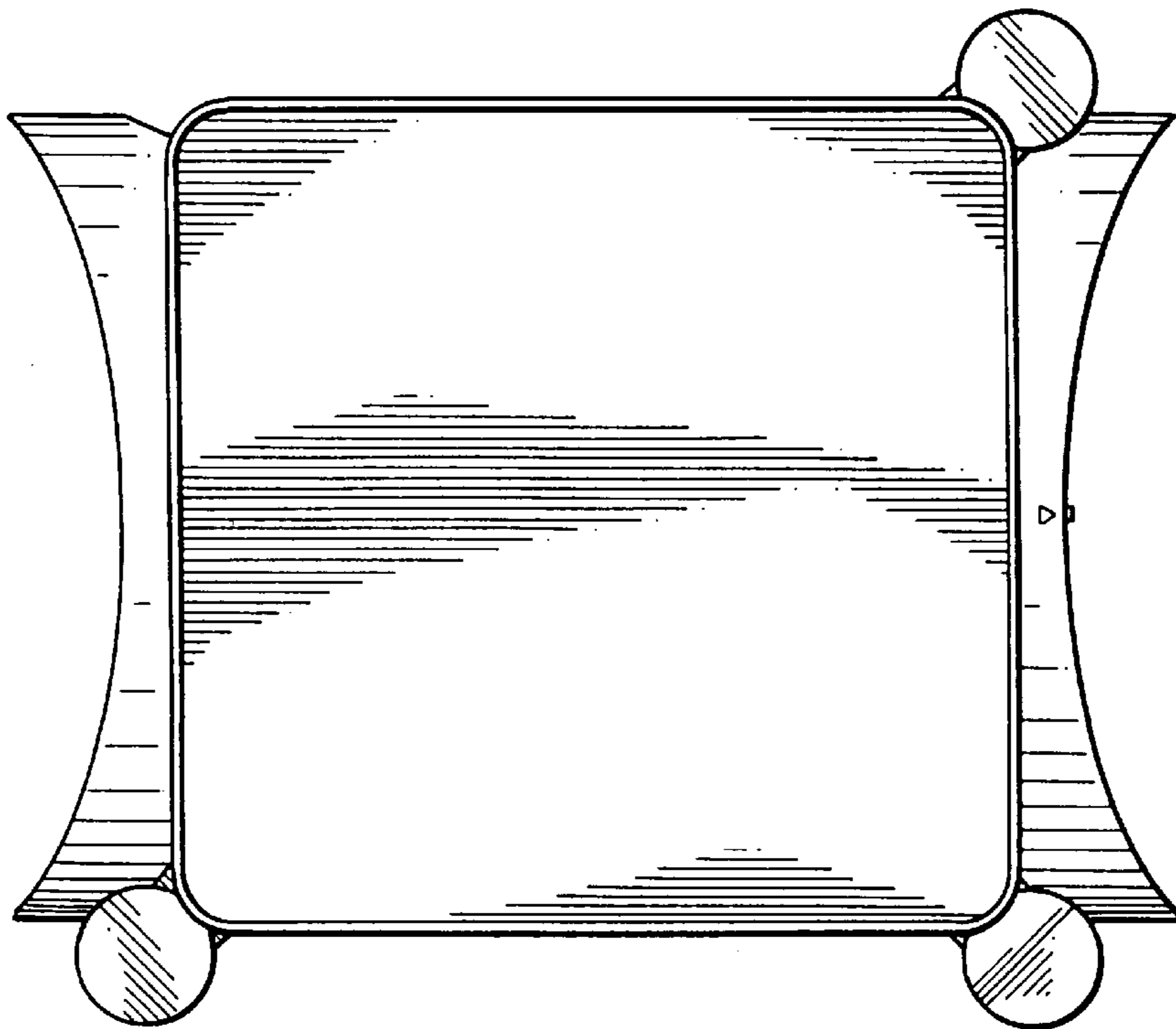


FIG. 8