



US00D409041S

United States Patent [19] Barker

[11] Patent Number: Des. 409,041

[45] Date of Patent: ** May 4, 1999

[54] **ELECTRIC COOKER**

[75] Inventor: **Mario John Barker**, Botany, Australia

[73] Assignee: **Breville Pty Ltd.**, Botany, Australia

[**] Term: **14 Years**

[21] Appl. No.: **29/076,821**

[22] Filed: **Sep. 17, 1997**

[30] **Foreign Application Priority Data**

Mar. 18, 1997 [AU] Australia 863/97

[51] **LOC (6) Cl.** **07-02**

[52] **U.S. Cl.** **D7/362**

[58] **Field of Search** D7/362-367, 352,
D7/332, 337, 346, 402; 99/425, 442, 444-446,
450; 219/429, 432, 443, 458; 126/25 R,
41 R

[56] **References Cited**

U.S. PATENT DOCUMENTS

D. 190,212	4/1961	Ernest	D7/363
D. 192,671	4/1962	Lerner	D7/363
D. 250,626	12/1978	Scott	D7/363
D. 266,731	11/1982	Downey	D7/363
D. 281,215	11/1985	Lastuck	D7/363
D. 286,494	11/1986	Lastuck	D7/363
D. 358,737	5/1995	Mendelson et al.	D7/362
D. 359,652	6/1995	Mendelson et al.	D7/362
D. 366,390	1/1996	Vitantonio	D7/363
5,189,947	3/1993	Yim	D7/366
5,782,165	6/1998	Glenboski et al.	99/340

OTHER PUBLICATIONS

Breville Gourmet Health Grill Plus, Model HG 11, brochure, published in 1995, Patent No. 652687, Breville R & D Pty. Ltd., 1 page.

Breville Gourmet Health Grill, Model HG 10, brochure, published in 1994, Breville R & D Pty. Ltd., 1 page.

Tefal Non-stick Contact Grill, brochure, published in 1995, 1 page.

Tefal Non-stick Contact Grill, photograph on box, published in 1995, 1 item.

Kenwood—Gourmet Health Grill; Health Grill; Vegetable and Citrus Juicer; Electric Wok; Toasted Sandwich Maker; Milk Shaker, brochure, published in 1995, 1 page.

Taurus—Barbacoas Electrica BE-1800, brochure, published in 1995, 2 pages.

Princess Classic Table Chef; Princess Classic Table Chef Grill; Princess Classic Table Chef Master, brochure, published in 1995, 2 pages.

Presto Liddle Griddle Electric Mini-Griddle; Jumbo Griddle with diamond Coat nonstick finish, brochure, published in 1995, 2 pages.

Solac Grills; La Parrilla Gourment Barbecue—Mod. 594; Classic Grill—Mod. 593, brochure, published in 1995, 1 page number 41.

Primary Examiner—Ruth McInroy

Attorney, Agent, or Firm—Marger Johnson & McCollom, PC

[57] **CLAIM**

The ornamental design for electric cooker, as shown and described.

DESCRIPTION

FIG. 1 is an exploded perspective view of an electric cooker showing my new design, with the small lid removed;

FIG. 2 is an exploded perspective view thereof showing the smaller lid in place;

FIG. 3 is a bottom plan view thereof;

FIG. 4 is a top plan view thereof;

FIG. 5 is a side elevation view thereof;

FIG. 6 is an end elevation view thereof;

FIG. 7 is a top plan view thereof with the top lid removed;

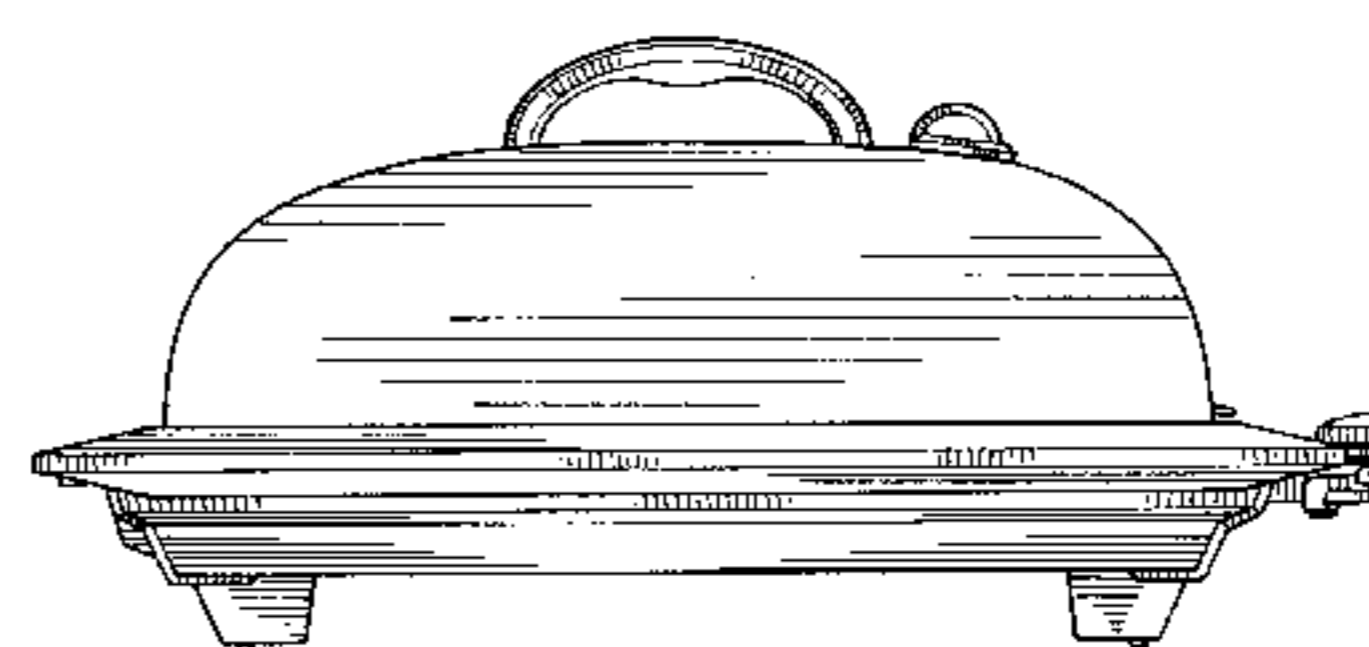
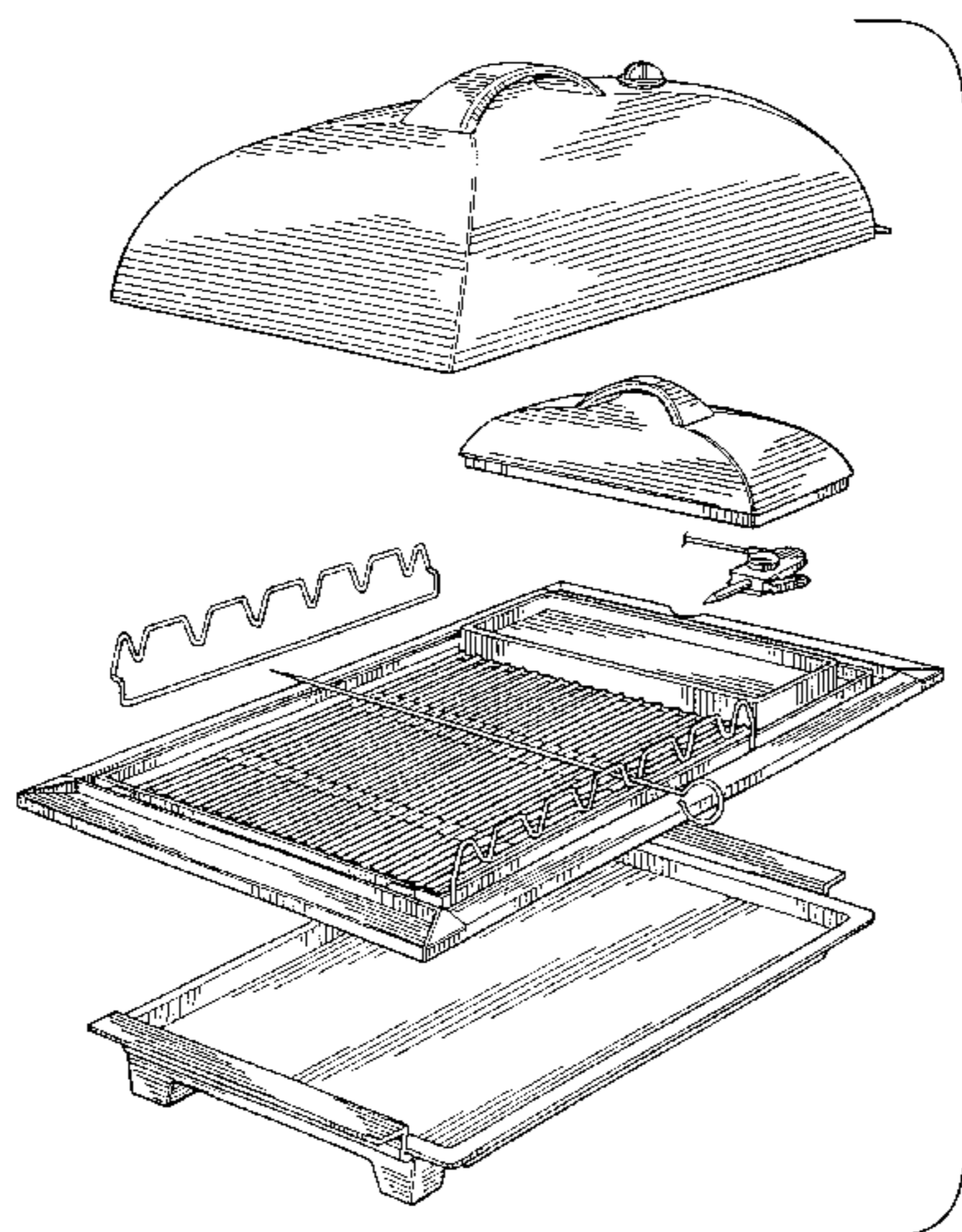
FIG. 8 is a side elevation view thereof with the top lid removed;

FIG. 9 is a partial side elevation view of FIG. 8 with the small lid removed; and,

FIG. 10 is an end elevation view with the top lid removed.

The views showing parts removed are shown for clarity of illustration, the claim being directed to the electric cooker in full, assembled condition.

1 Claim, 6 Drawing Sheets



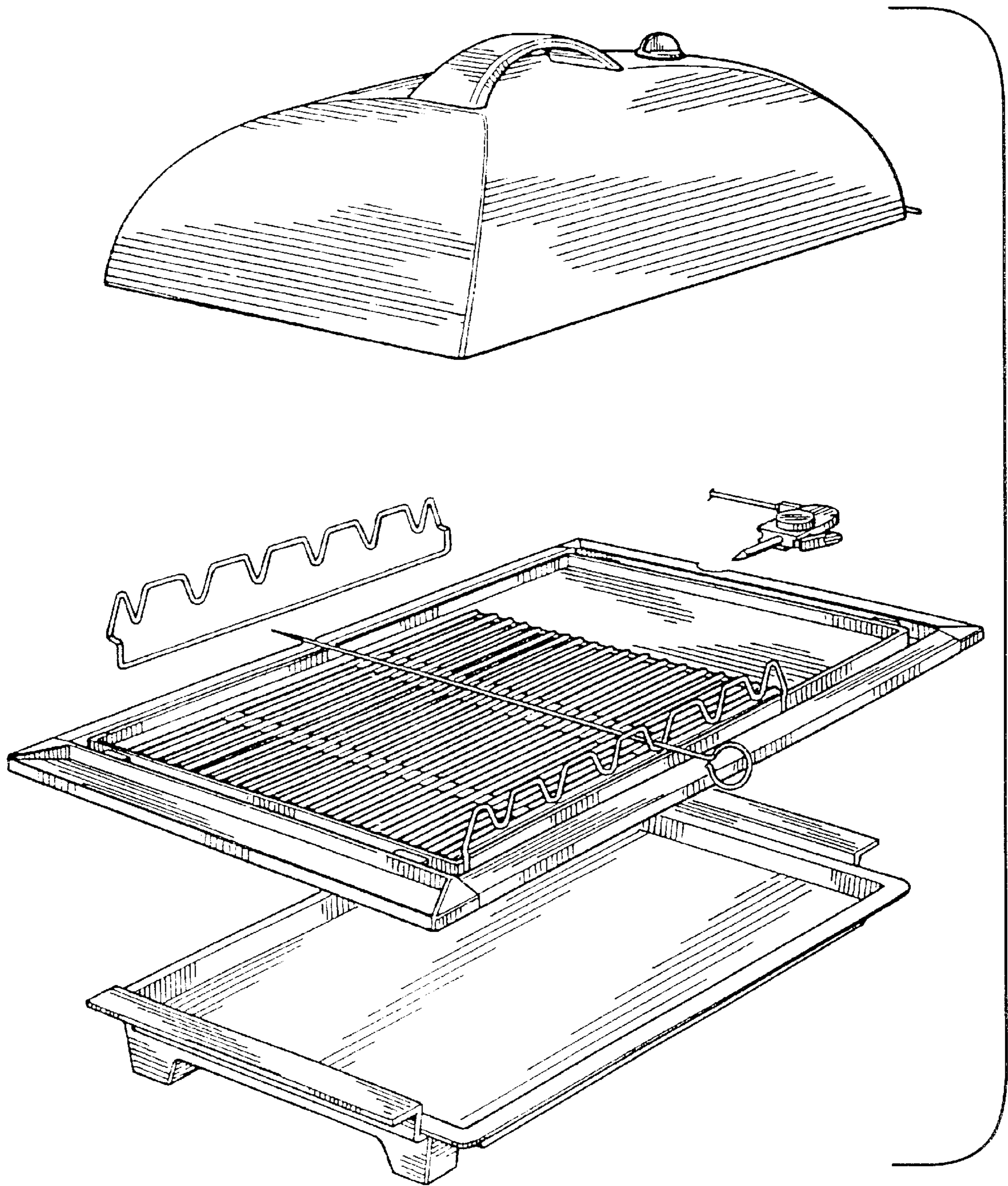


FIG. 1

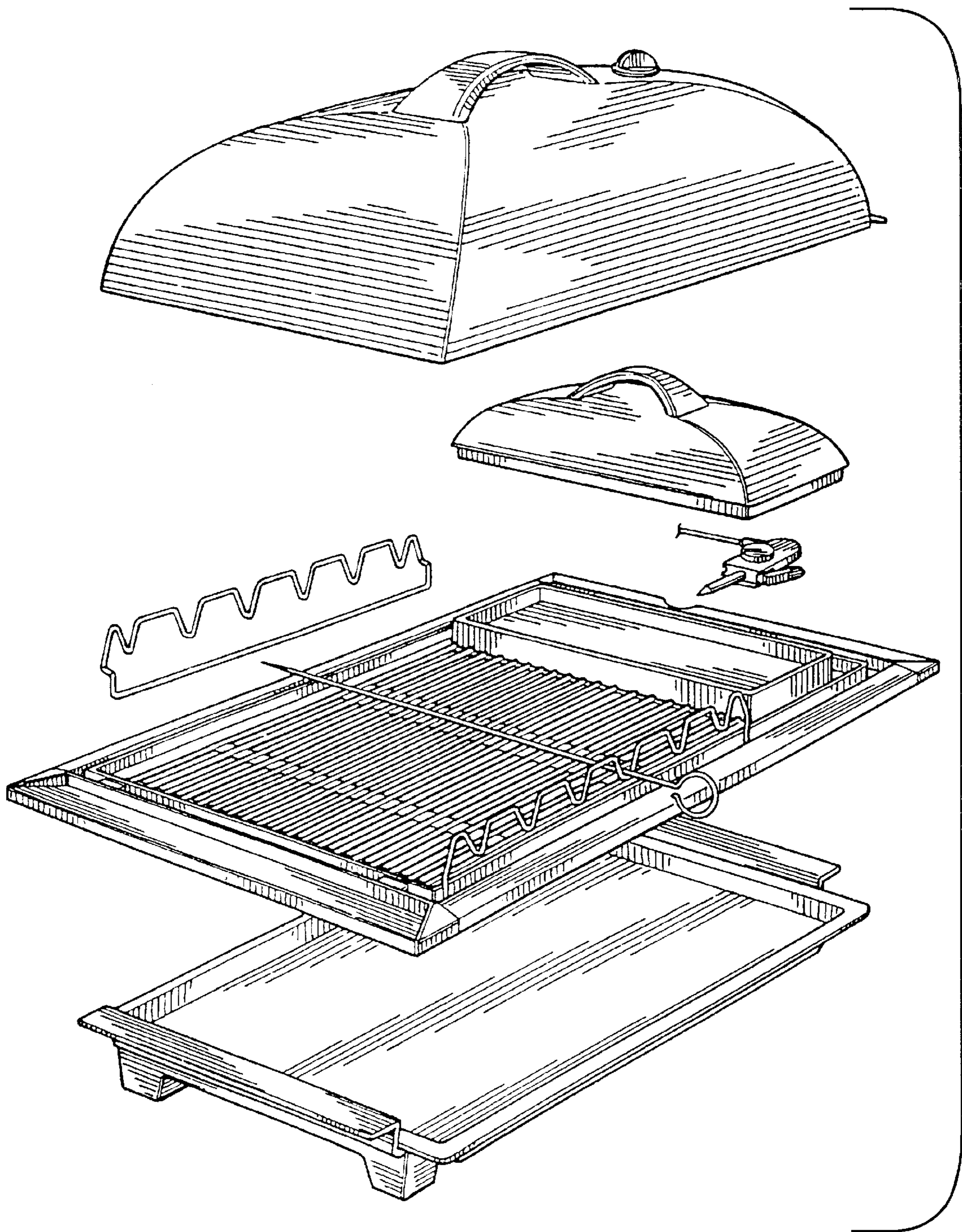


FIG. 2

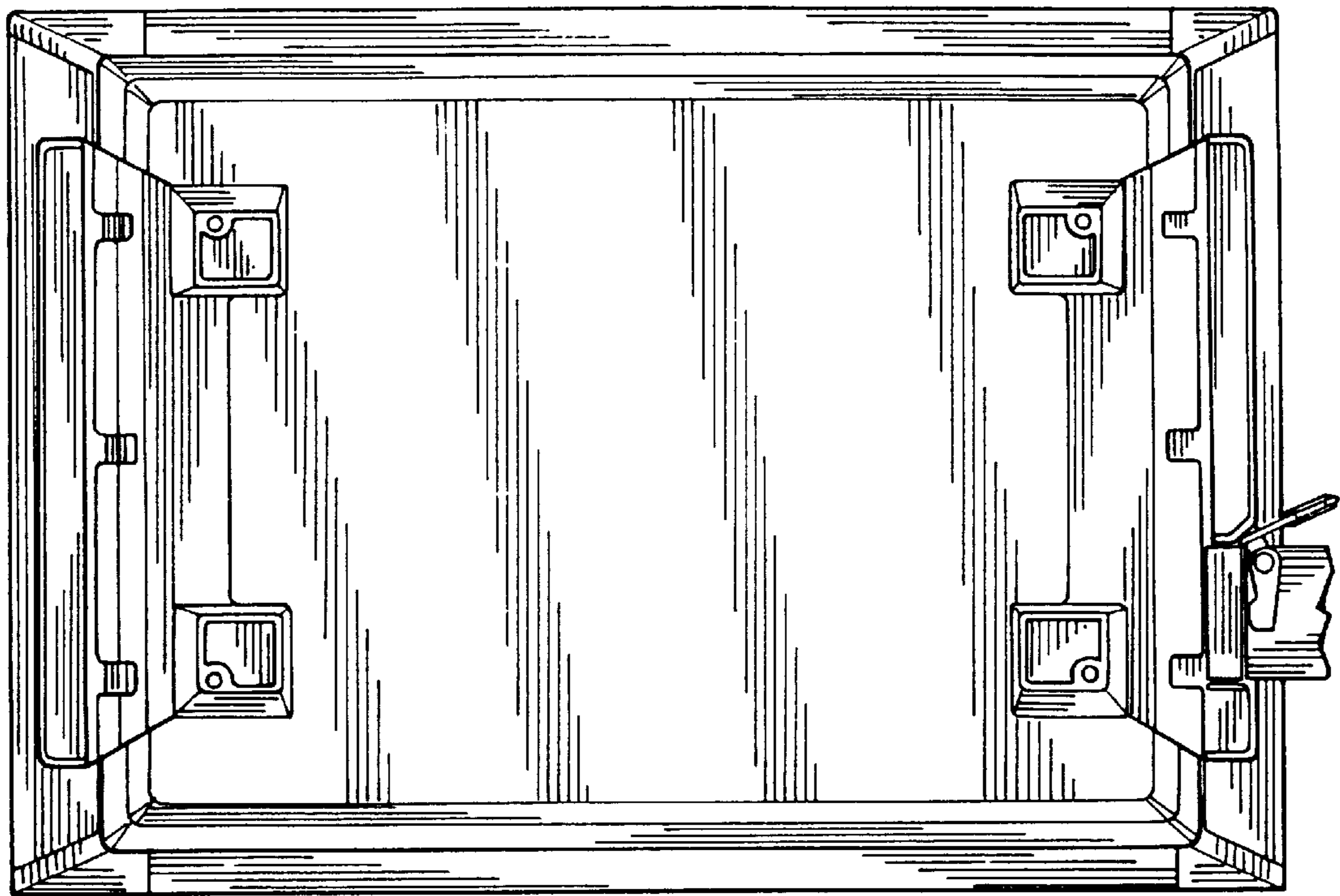


FIG. 3

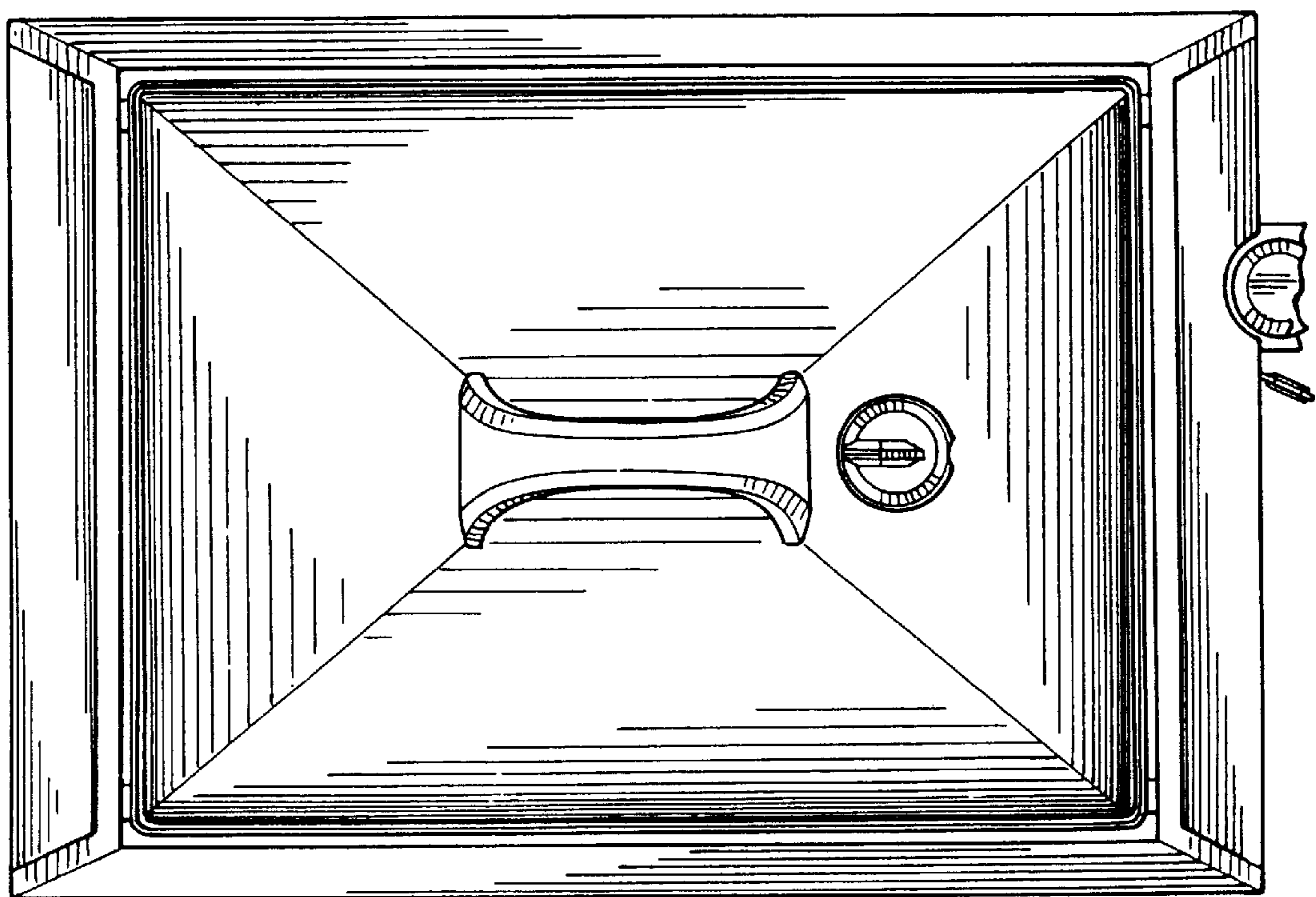


FIG. 4

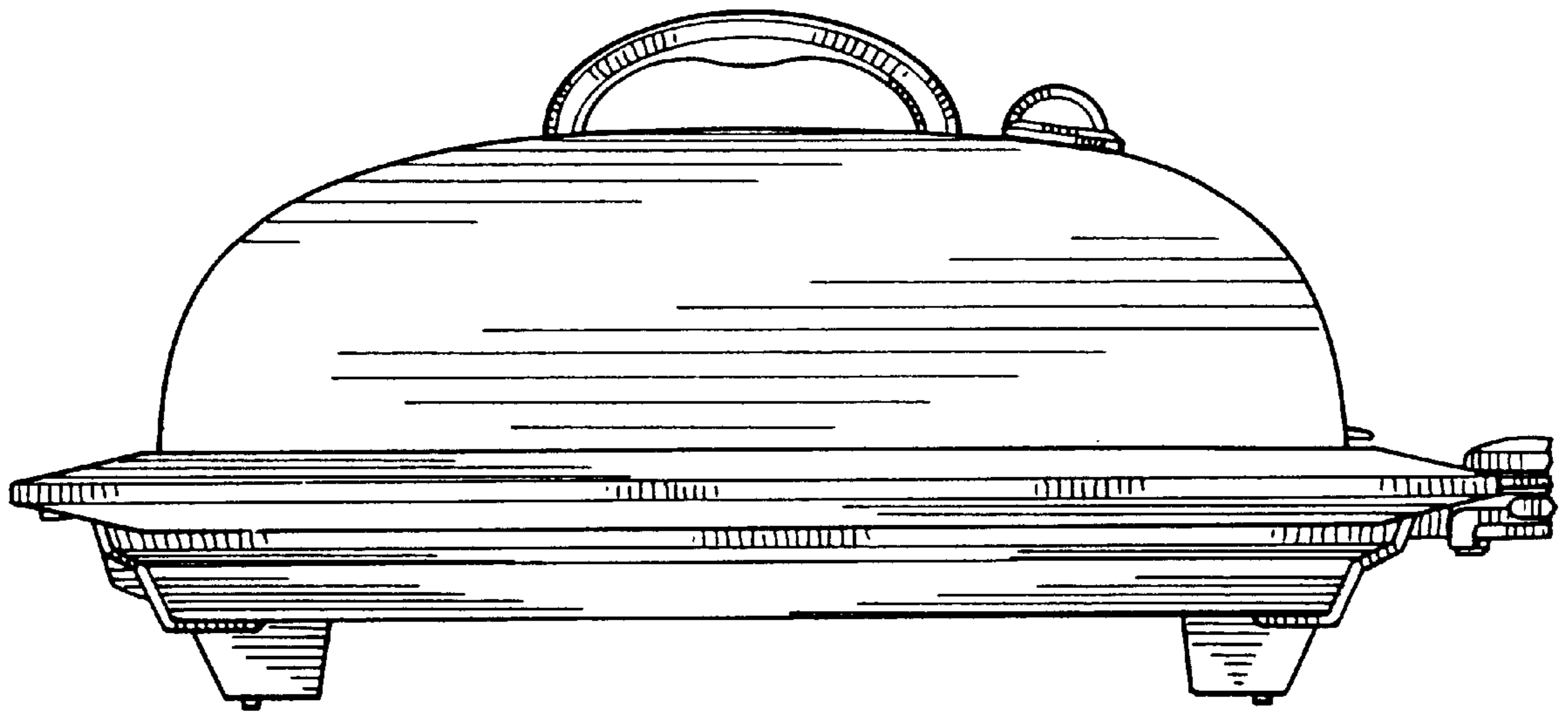


FIG. 5

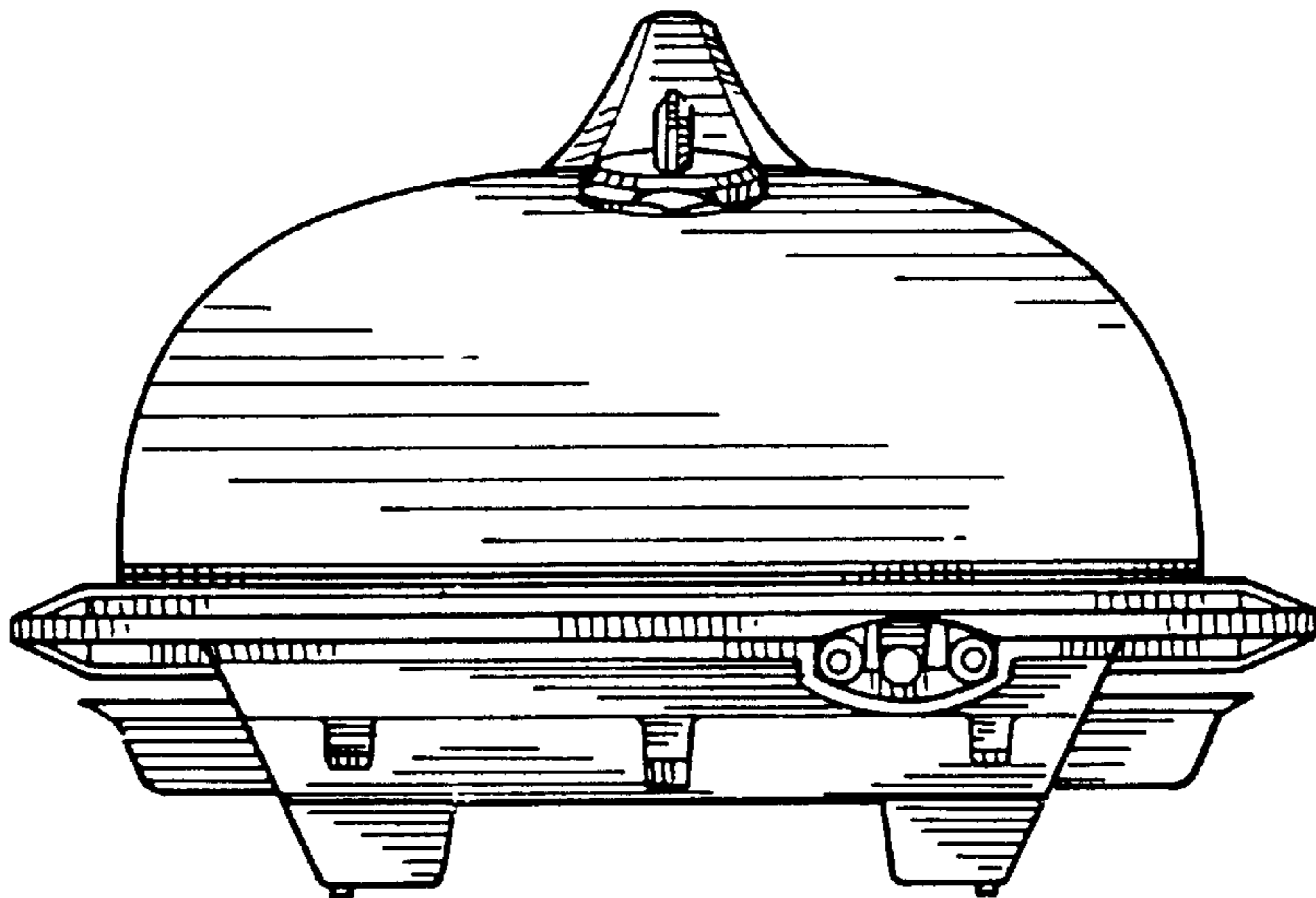


FIG. 6

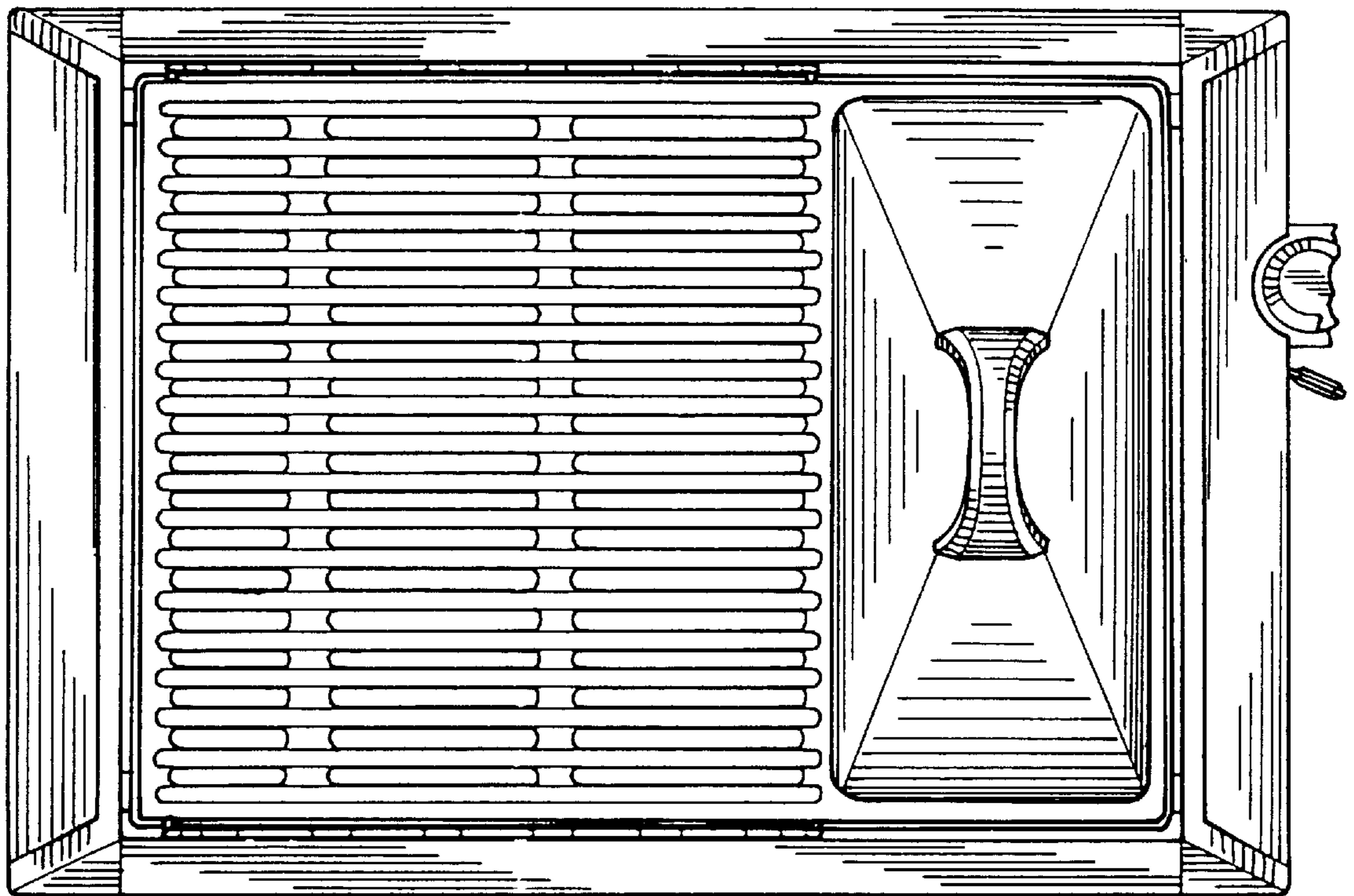


FIG. 7

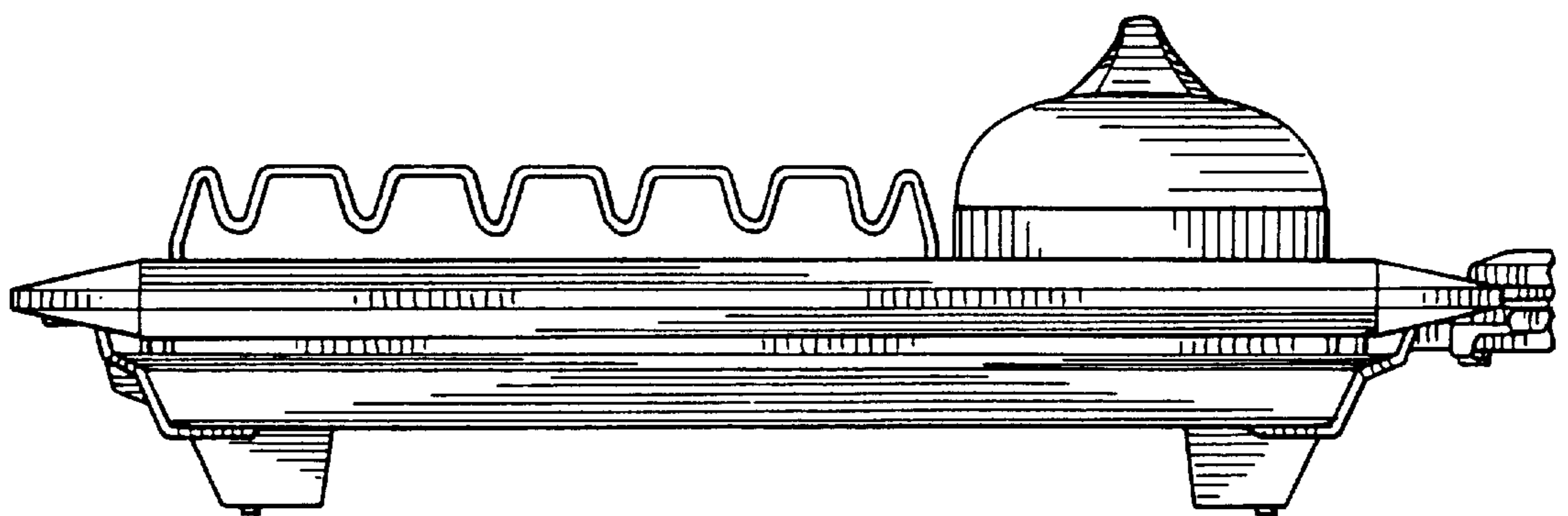


FIG. 8

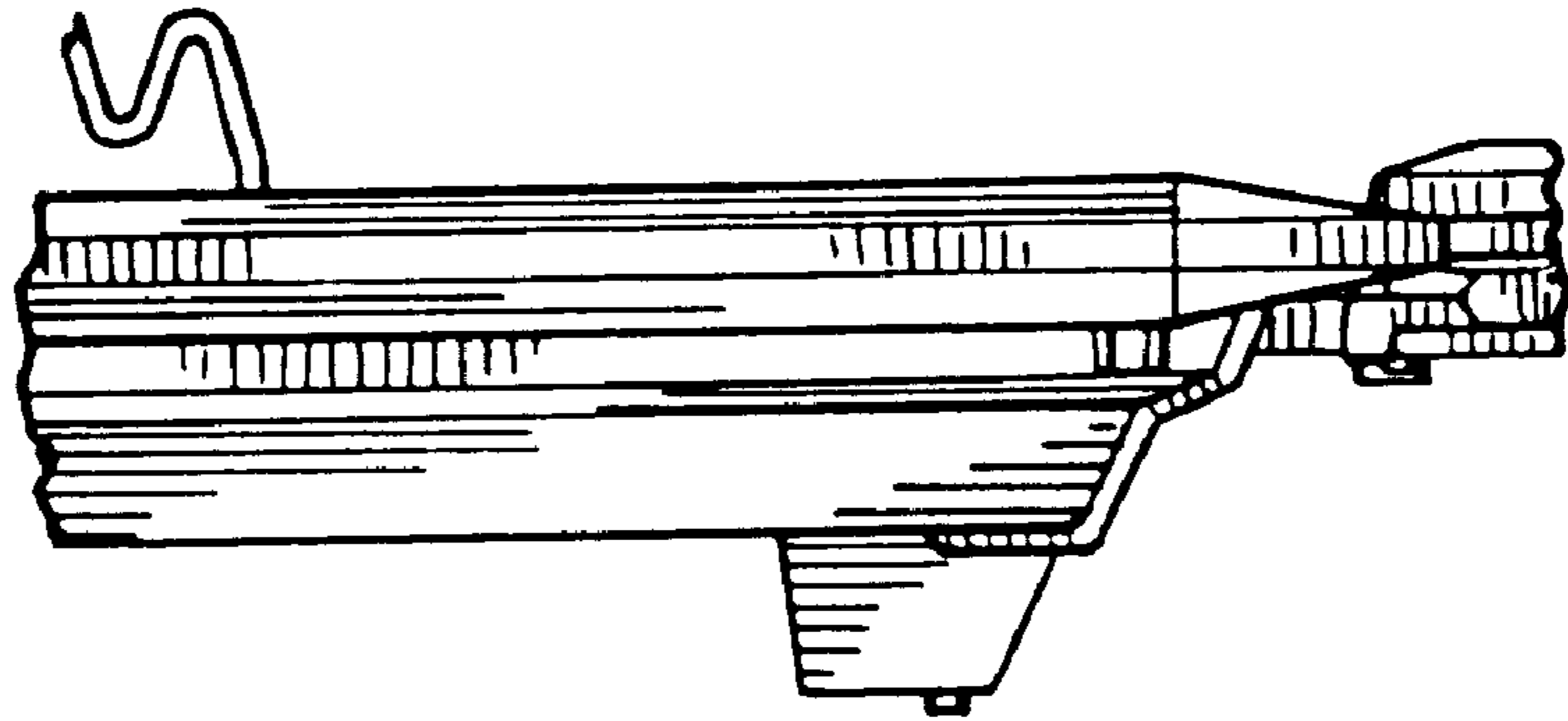


FIG. 9

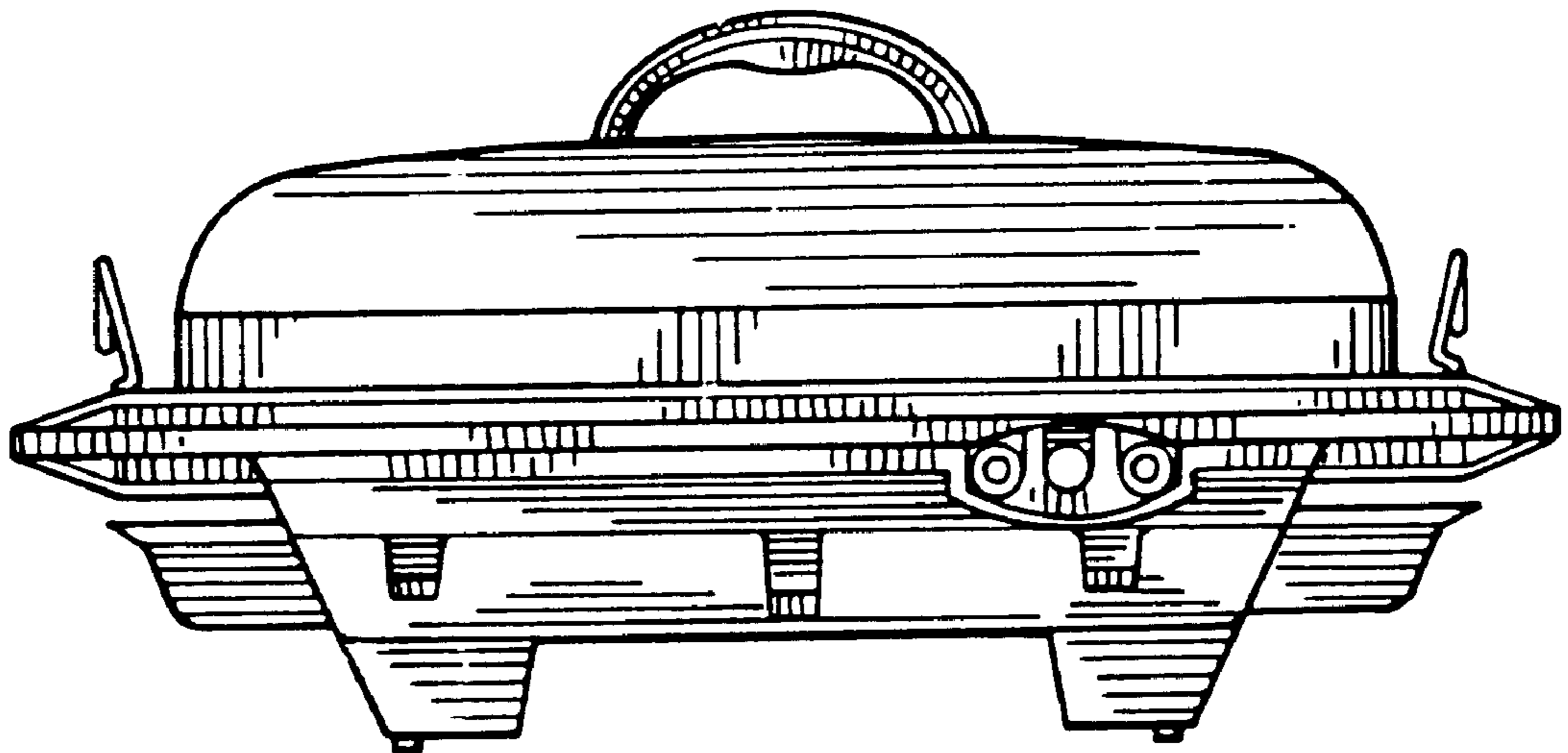


FIG. 10