



US00D409040S

United States Patent [19]

Moran, Jr. et al.

[11] Patent Number: **Des. 409,040**

[45] Date of Patent: **** May 4, 1999**

[54] **CARAFE WITH ELONGATED HANDLE AND ARCUATE DECANter LID**

[75] Inventors: **Jorge E. Moran, Jr.; Jorge E. Moran,**
both of Nashville, Tenn.

[73] Assignee: **Megatrade International, Inc.,**
Nashville, Tenn.

[*] Notice: This patent is subject to a terminal disclaimer.

[**] Term: **14 Years**

[21] Appl. No.: **29/089,787**

[22] Filed: **Jun. 23, 1998**

[51] **LOC (6) Cl.** **07-01**

[52] **U.S. Cl.** **D7/319; D7/318; D7/317**

[58] **Field of Search** **D7/317, 316, 318,**
D7/319, 321, 322, 300; 222/129.1, 129.2

[56] **References Cited**

U.S. PATENT DOCUMENTS

- D. 200,978 4/1965 Seltz D7/318
- D. 341,985 12/1993 Bunn et al. D7/322

- D. 390,743 2/1998 Saltet D7/319
- D. 394,981 6/1998 Huang D7/319
- D. 394,982 6/1998 Huang D7/319
- D. 395,576 6/1998 Huang D7/319
- D. 395,783 7/1998 Cautereels D7/318
- D. 396,377 7/1998 Tamura D7/319

Primary Examiner—M. N. Pandozzi
Attorney, Agent, or Firm—Arent Fox Kintner Plotkin & Kahn PLLC

[57] **CLAIM**

The ornamental design for a carafe with elongated handle and arcuate decanter lid, as shown and described.

DESCRIPTION

FIG. 1 is a front elevation view of the carafe with elongated handle and arcuate decanter lid showing my new design; FIG. 2 is a side elevation view thereof; FIG. 3 is a rear elevation view thereof; FIG. 4 is a top plan view thereof; FIG. 5 is an exploded side elevation view thereof; FIG. 6 is a top plan view thereof with the lid removed for ease of illustration; and, FIG. 7 is a bottom plan view thereof.

1 Claim, 3 Drawing Sheets

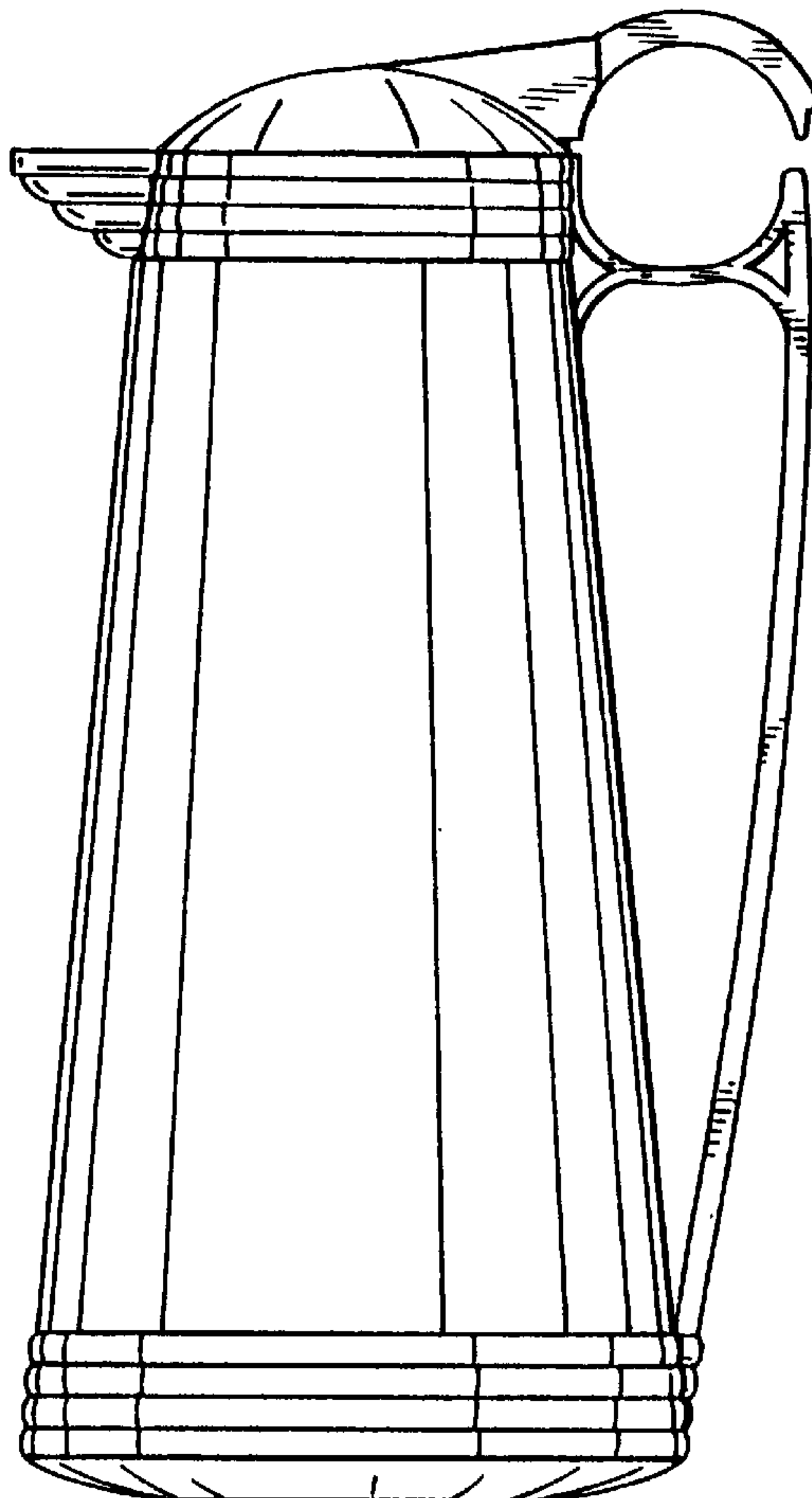


FIG. 1

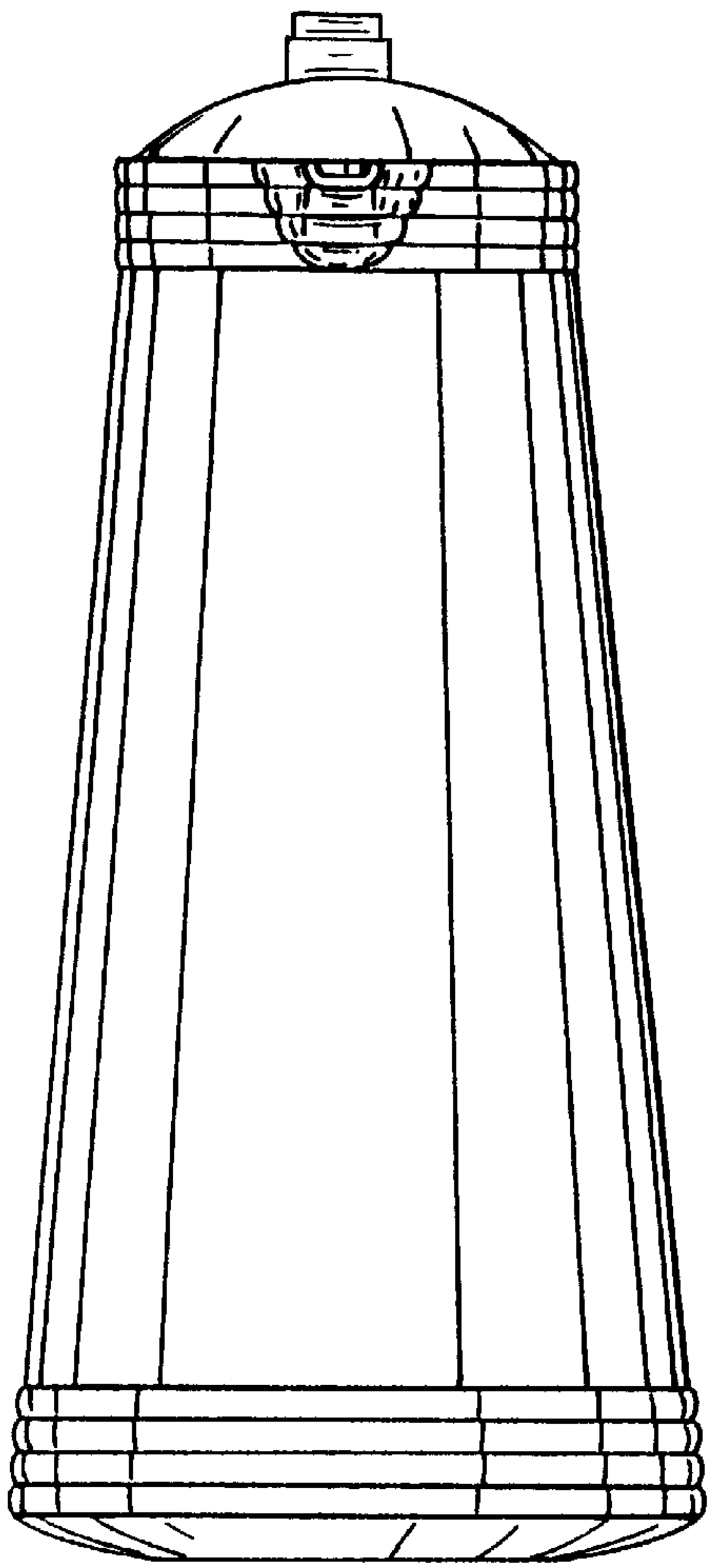


FIG. 2

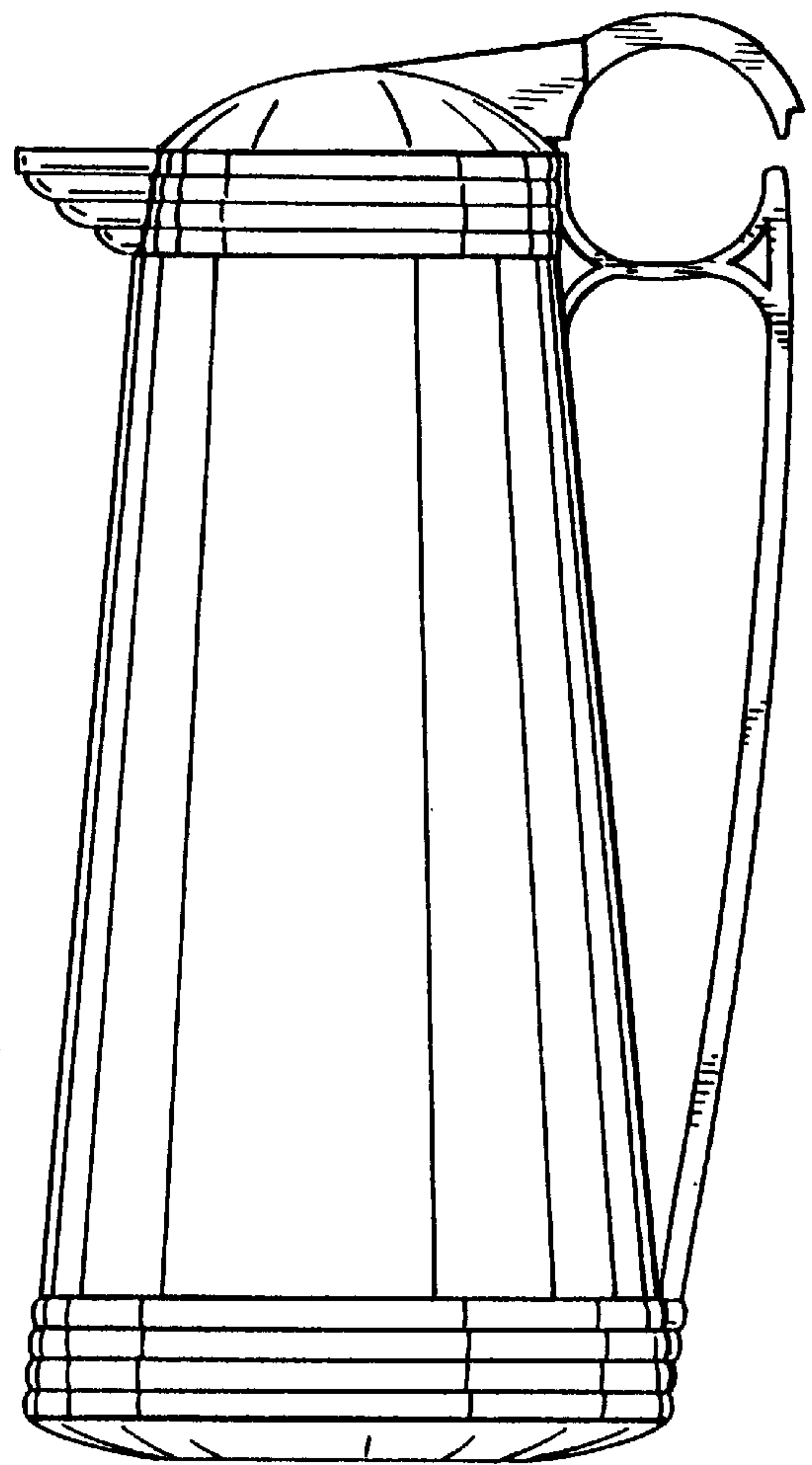


FIG. 3

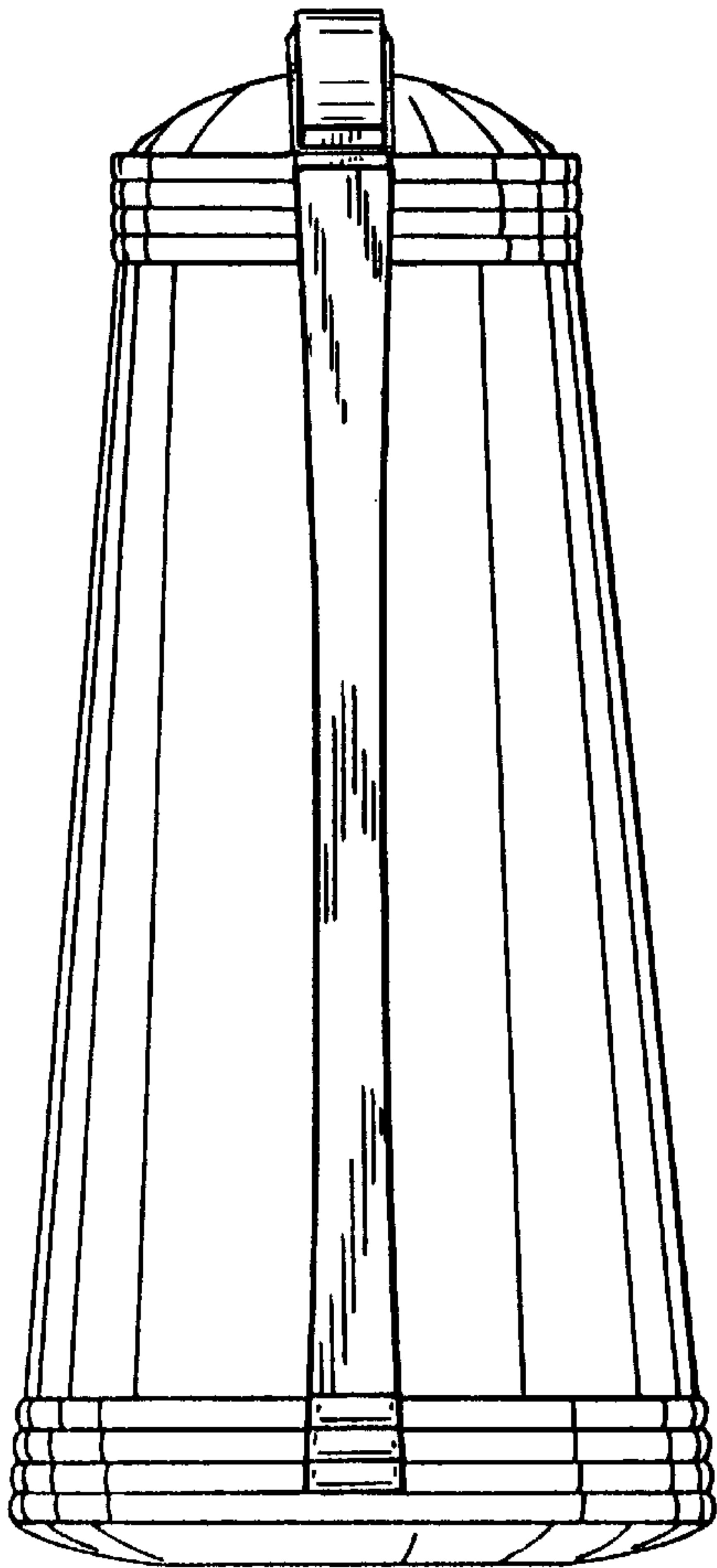
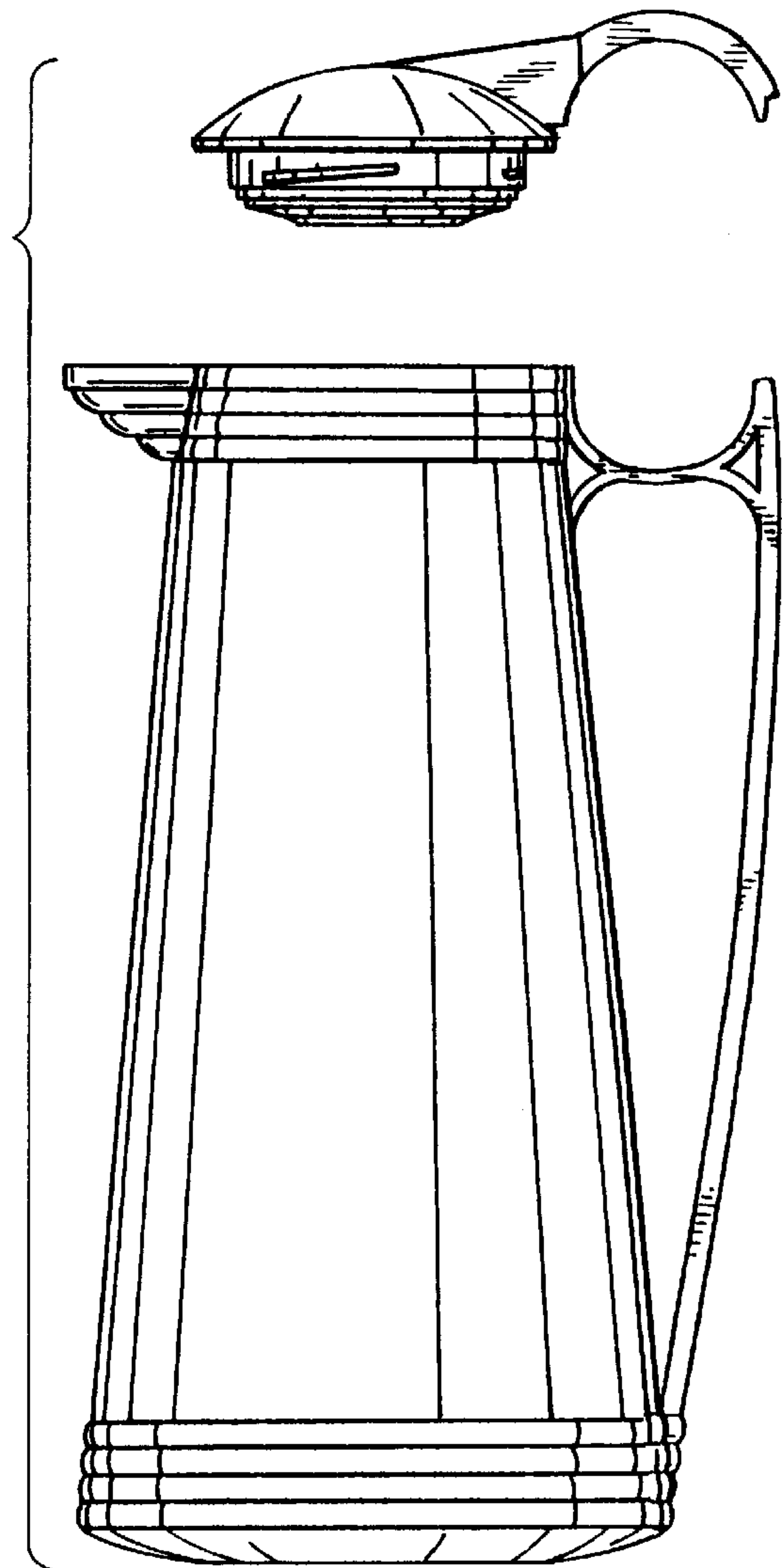


FIG. 5



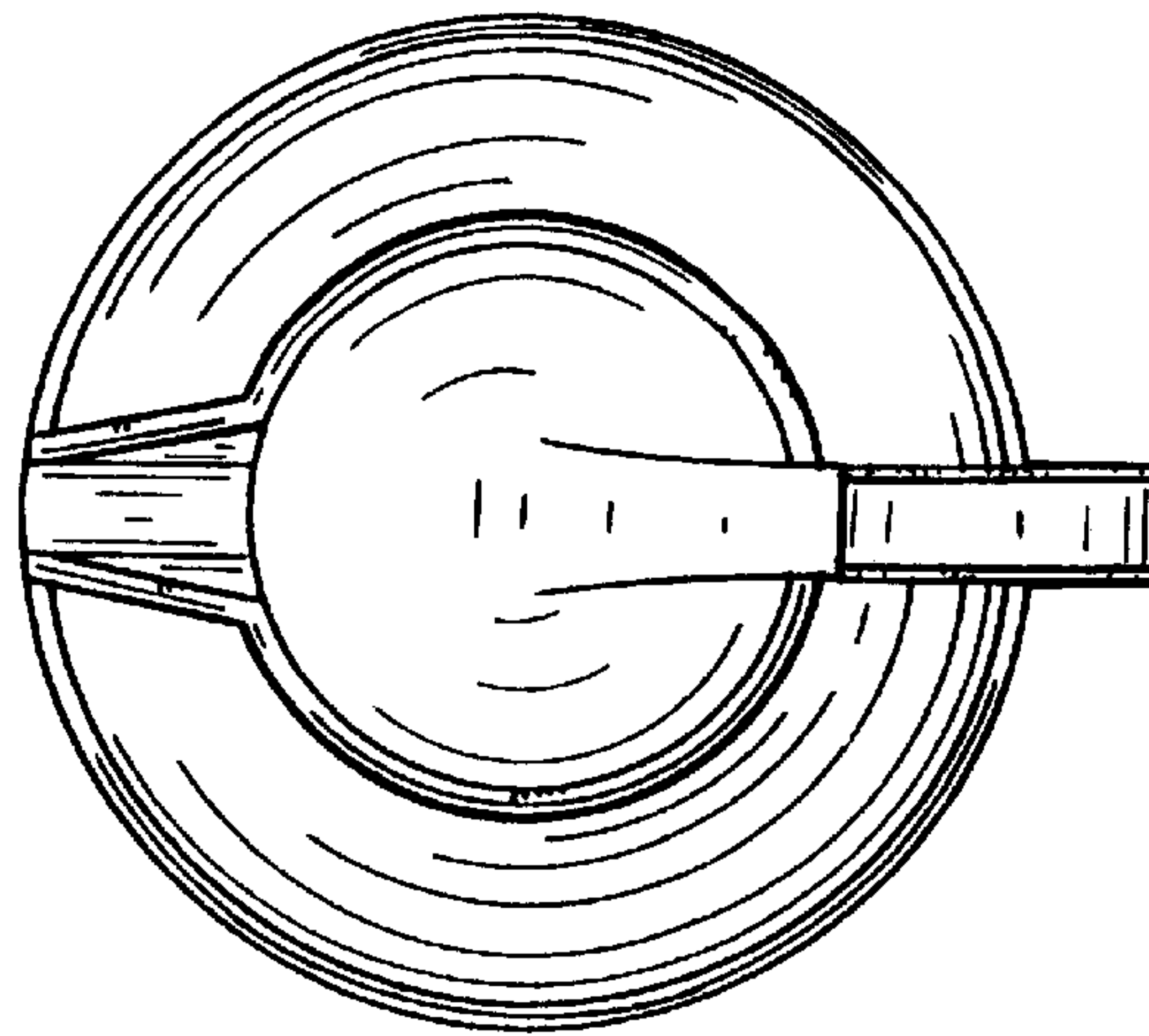


FIG. 4

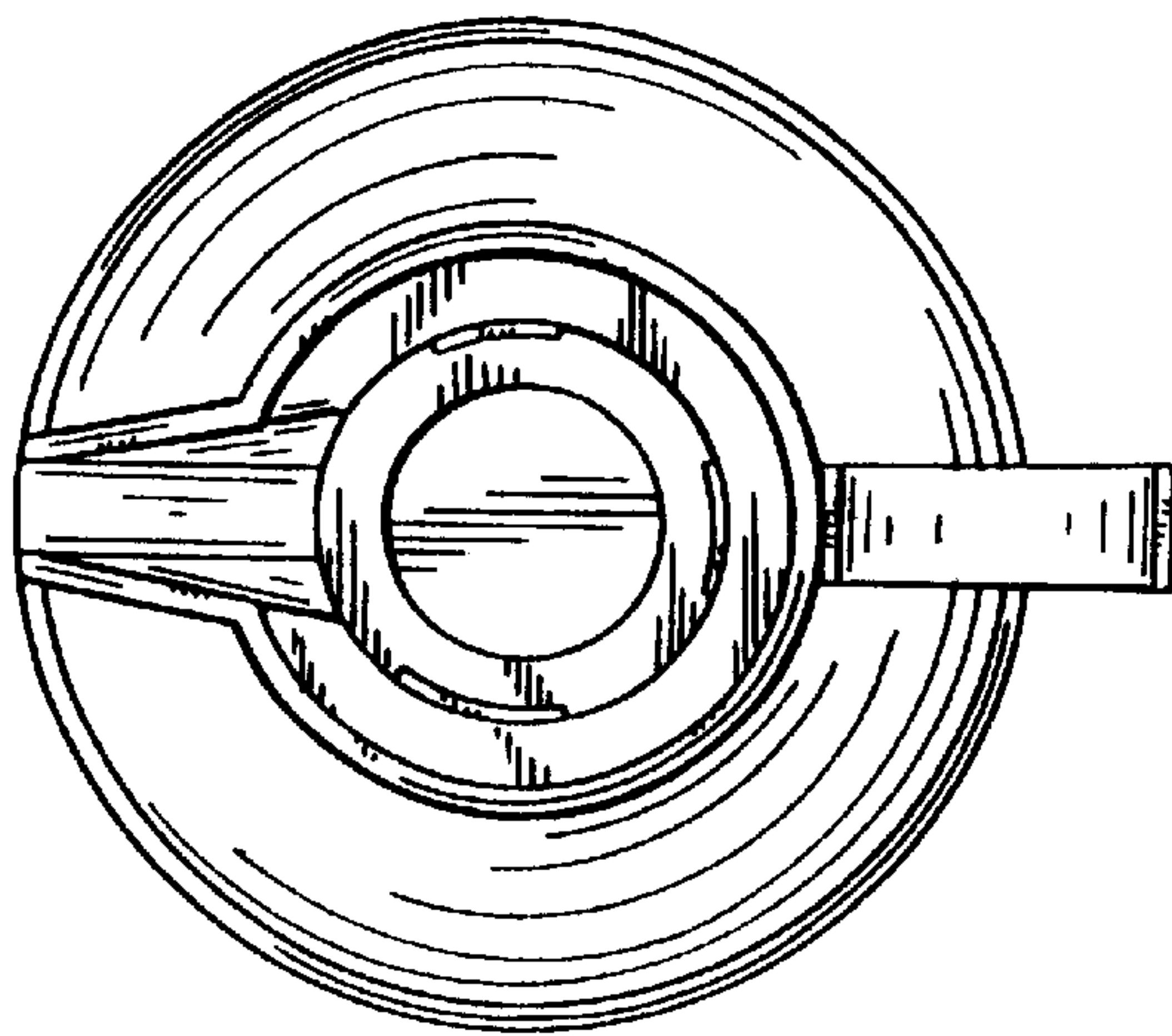


FIG. 6

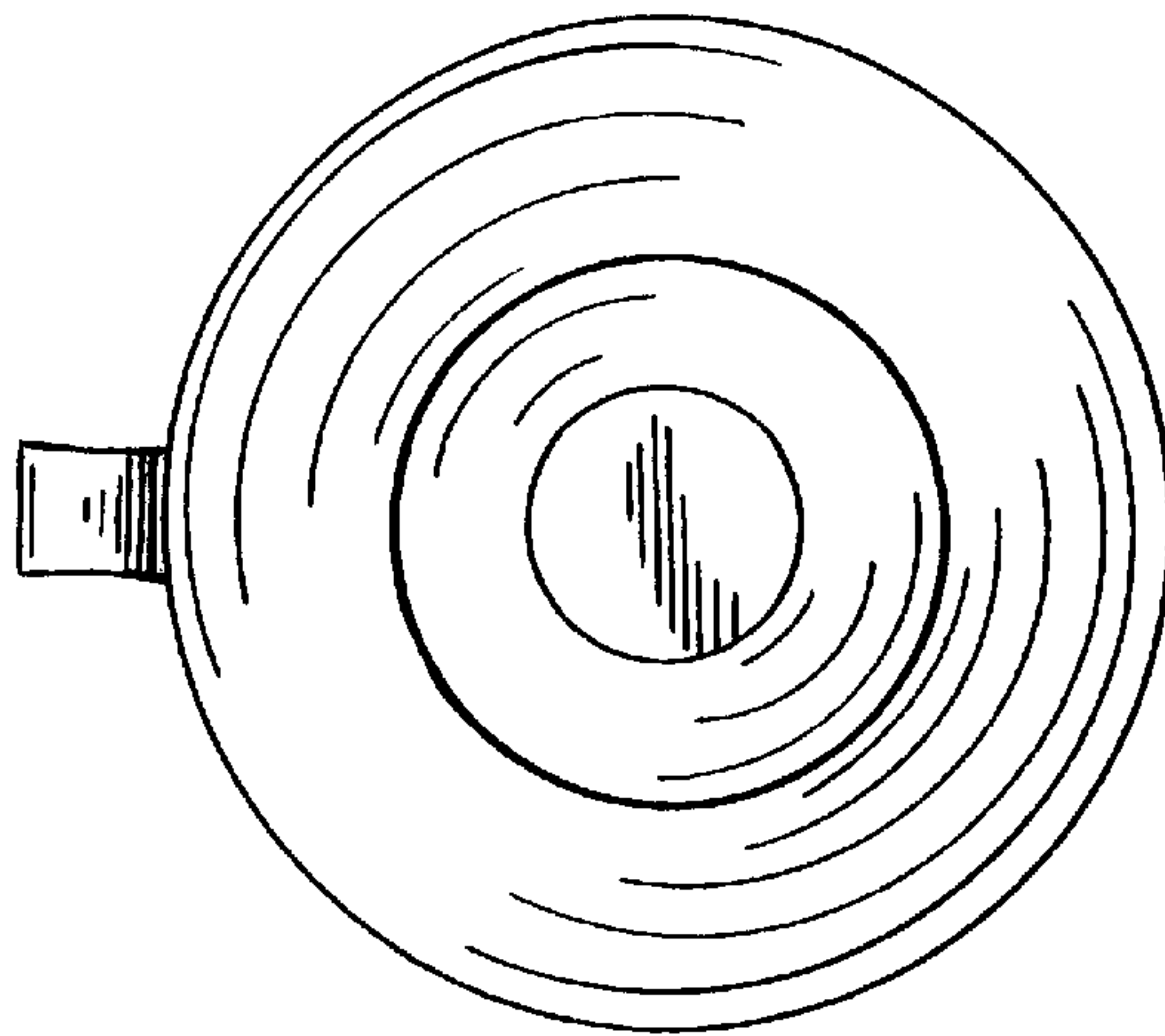


FIG. 7