

US00D409035S

United States Patent [19]

Belokin et al.

[11] Patent Number: **Des. 409,035**

[45] Date of Patent: ****May 4, 1999**

[54] DISPLAY SHELF

[76] Inventors: **Paul Belokin; Martin P. Belokin**, both of 7801 I-35 North, Denton, Tex. 76202; **Norman P. Belokin**, 1606 Oak Ridge Dr., Corinth, Tex. 76205

[**] Term: **14 Years**

[21] Appl. No.: **29/081,196**

[22] Filed: **Dec. 24, 1997**

[51] LOC (6) Cl. **08-08**

[52] U.S. Cl. **D6/574**

[58] Field of Search D6/574, 567, 553; D7/590, 601; 211/71, 74, 75, 88, 90

[56] References Cited

U.S. PATENT DOCUMENTS

D. 316,790	5/1991	Robbins et al.	D6/574
D. 327,197	6/1992	Belokin, Jr. et al.	D6/567
D. 400,384	11/1998	Belokin et al.	D6/574
4,376,521	3/1983	Walters	211/90 X

Primary Examiner—Brian N. Vinson
Attorney, Agent, or Firm—Jack A. Kanz

[57] CLAIM

The ornamental design for display shelf.

DESCRIPTION

FIG. 1 is a front perspective view of a display shelf showing our new design;

FIG. 2 is a side elevational view thereof, the opposite side view being a mirror image of the view of FIG. 2;

FIG. 3 is a top plan view thereof;

FIG. 4 is a rear elevation view thereof;

FIG. 5 is a bottom plan view of our display shelf as shown in the embodiment of FIG. 1;

FIG. 6 is a front perspective view of an alternative embodiment of a display shelf showing our new design;

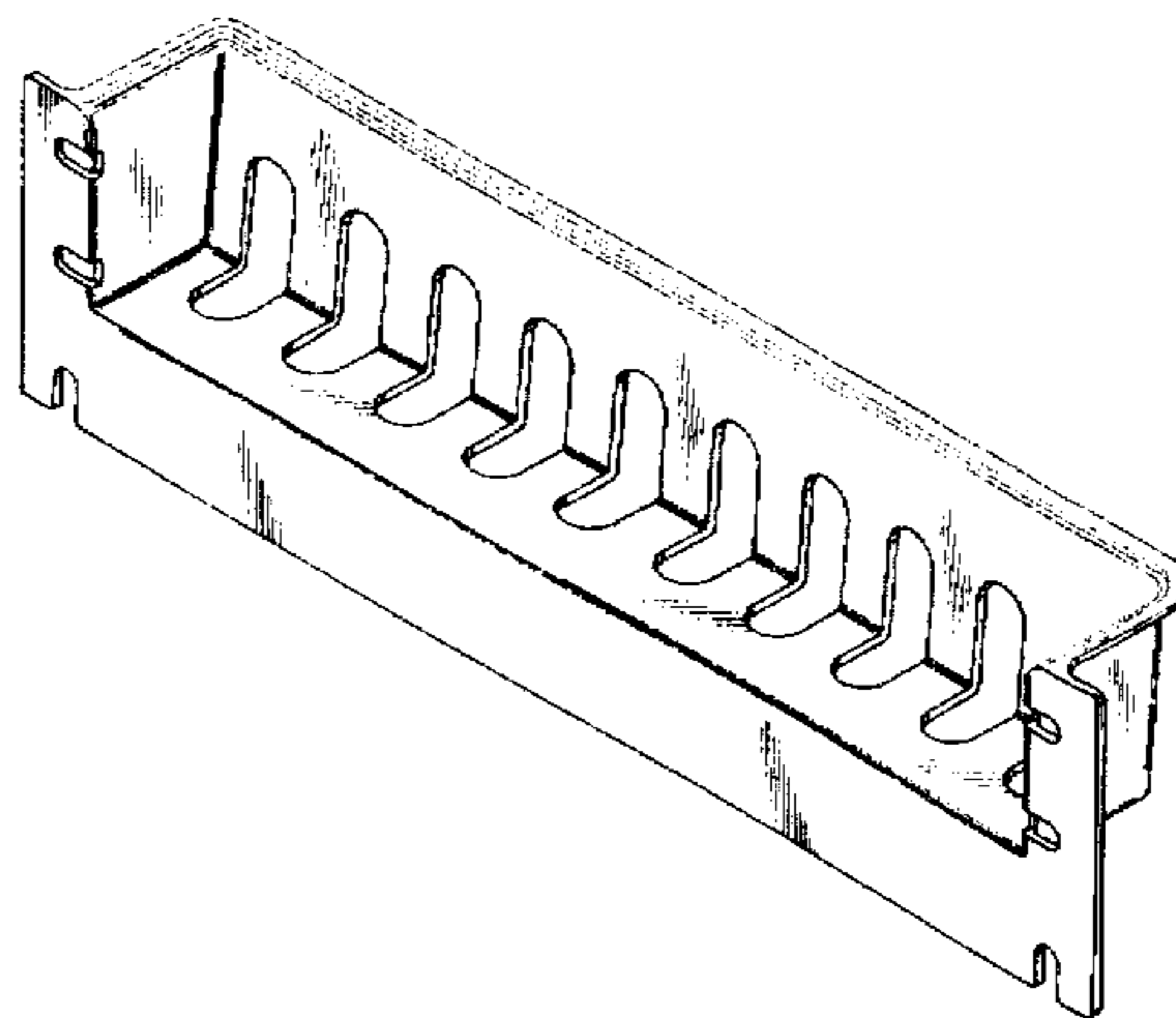
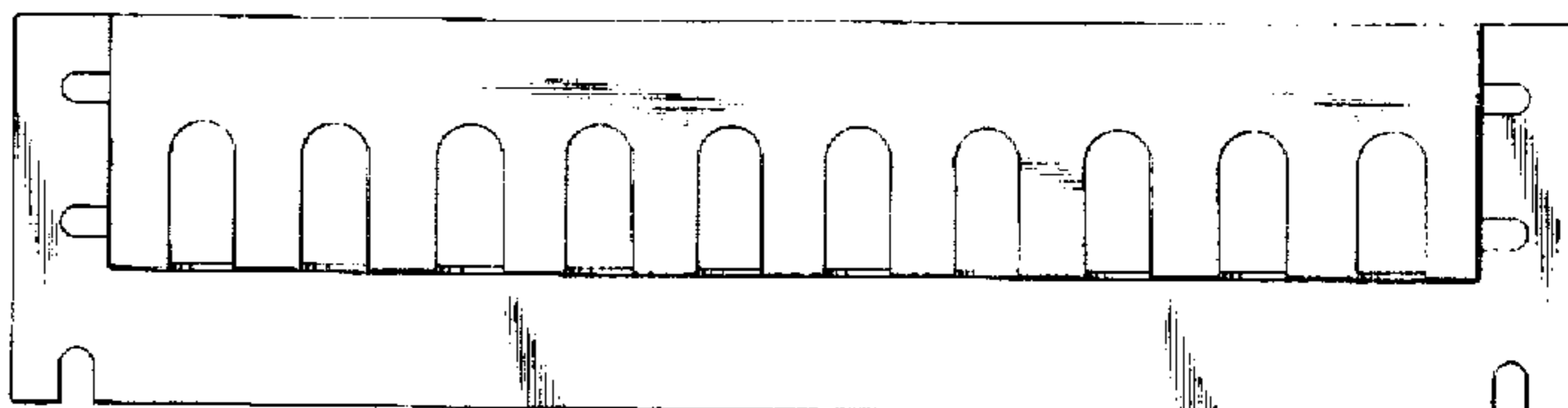
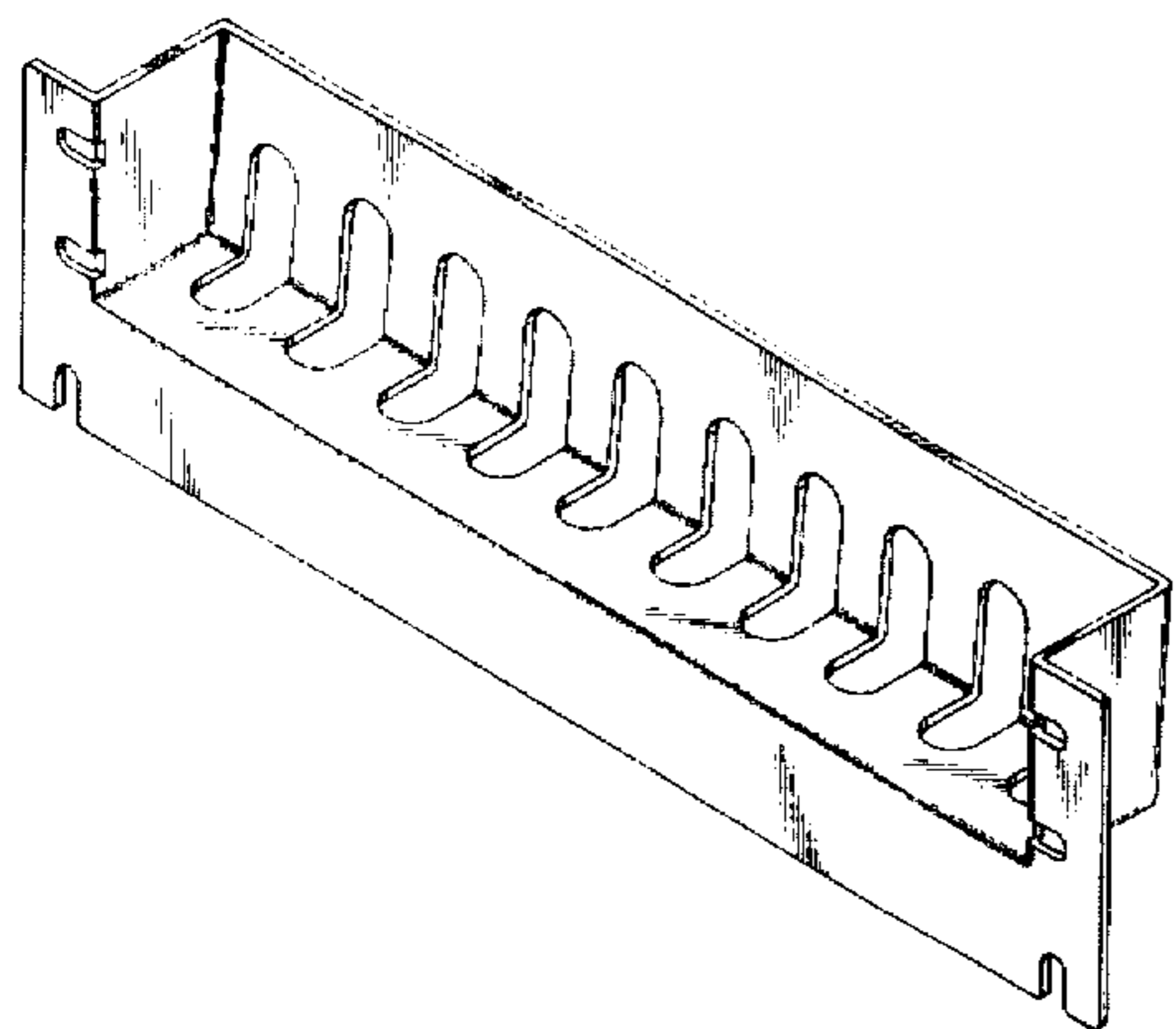
FIG. 7 is a side elevational view of the embodiment FIG. 6, the opposite side view being mirror image of the view of FIG. 7;

FIG. 8 is a top plan view of the embodiment of FIG. 6;

FIG. 9 is a rear elevation view of the embodiment of FIG. 6; and

FIG. 10 is a bottom plan view of our display shelf, as shown in the embodiment of FIG. 6.

1 Claim, 4 Drawing Sheets



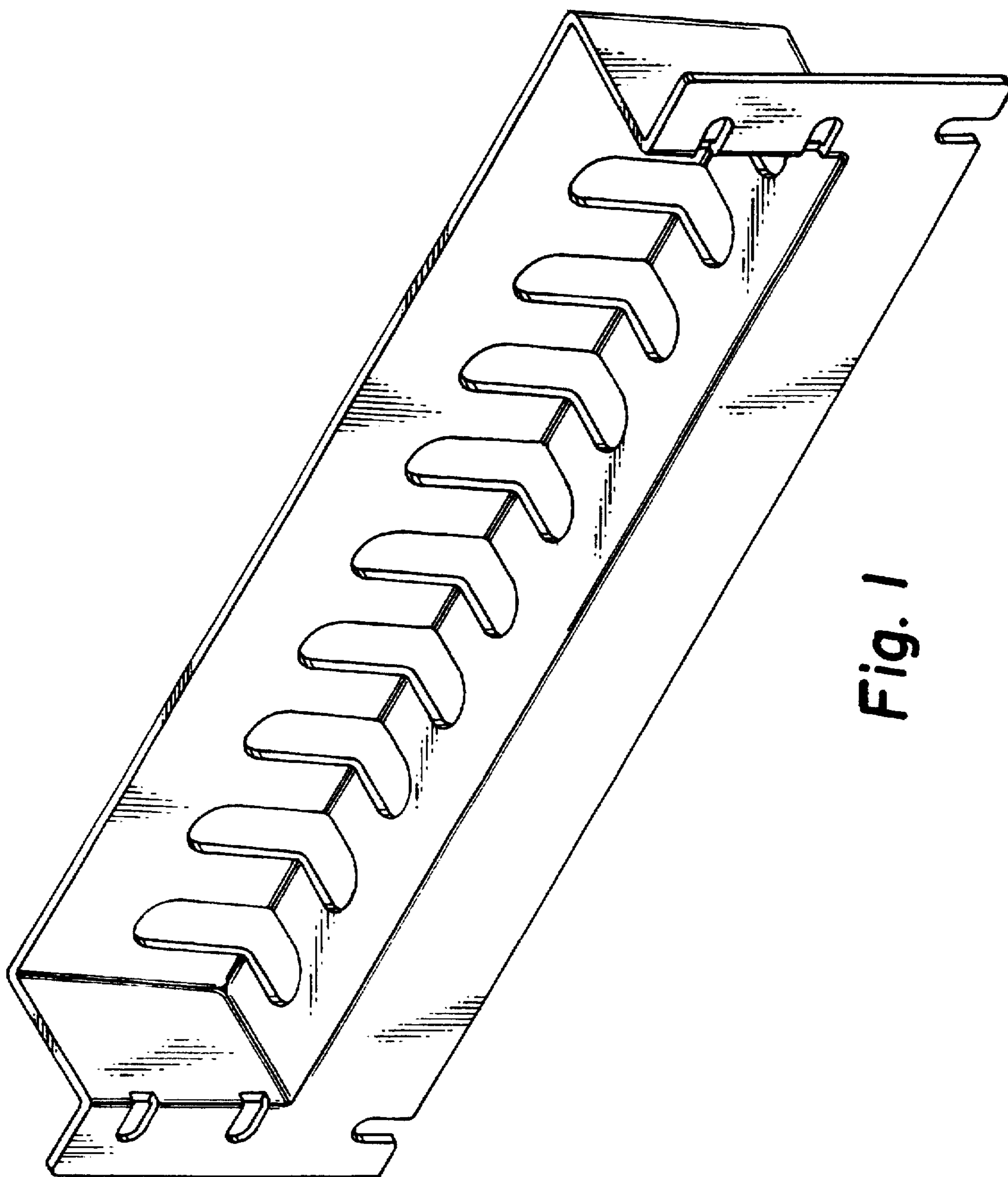


Fig. 1

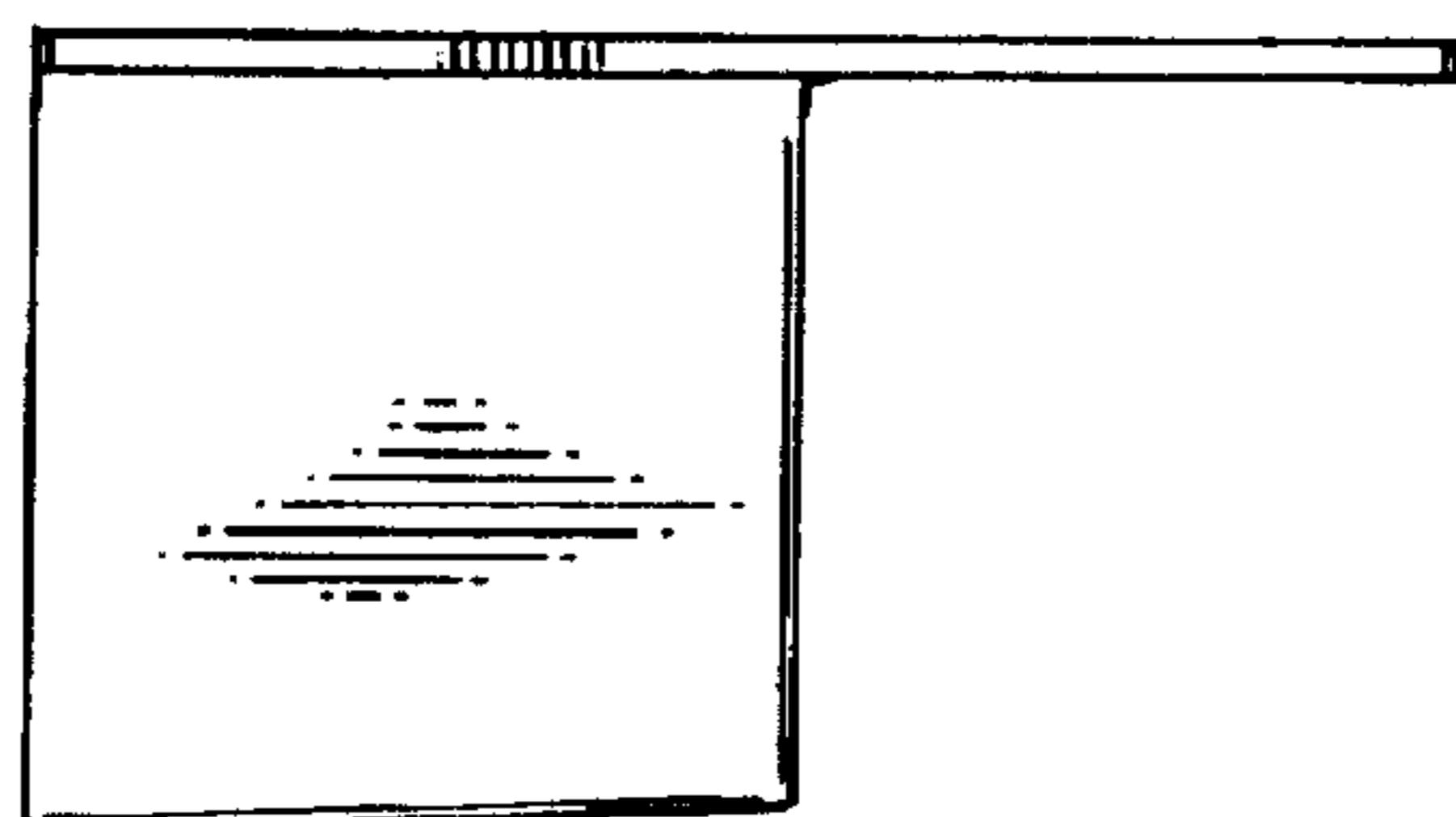


Fig. 2

Fig. 3

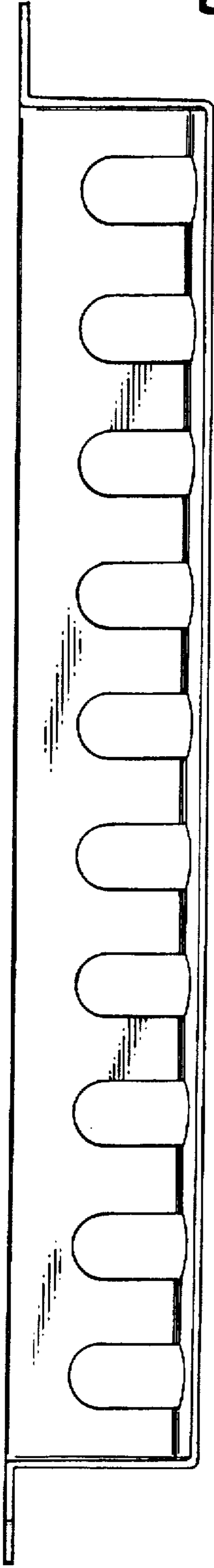


Fig. 4

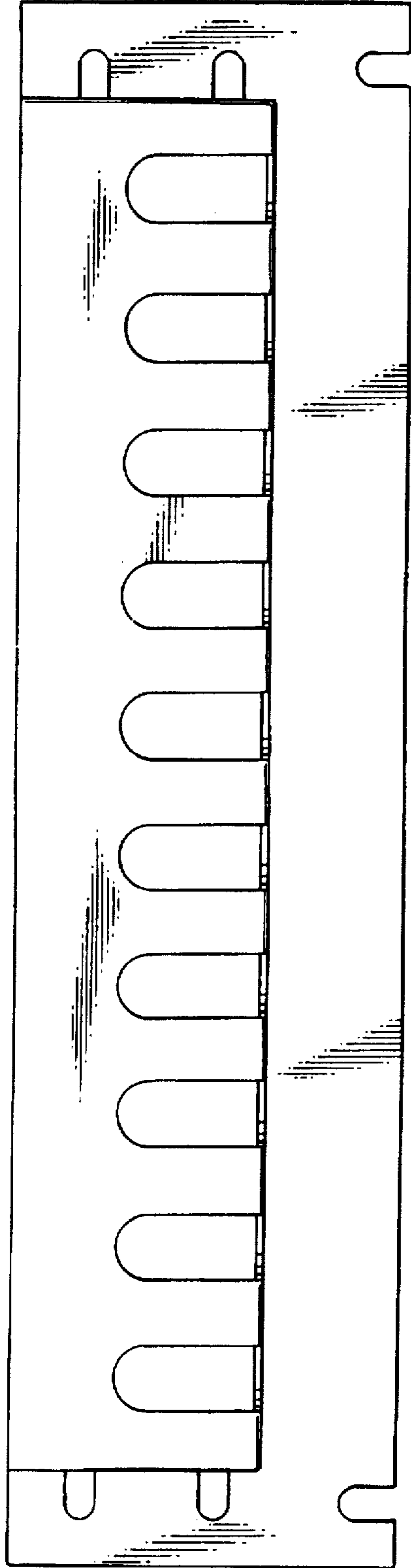
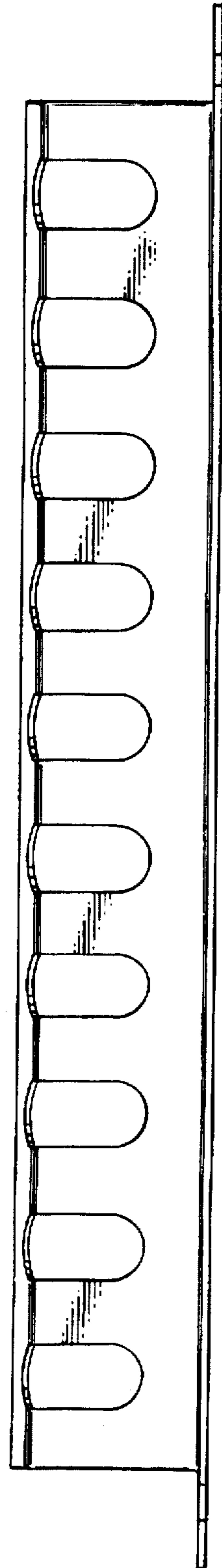


Fig. 5



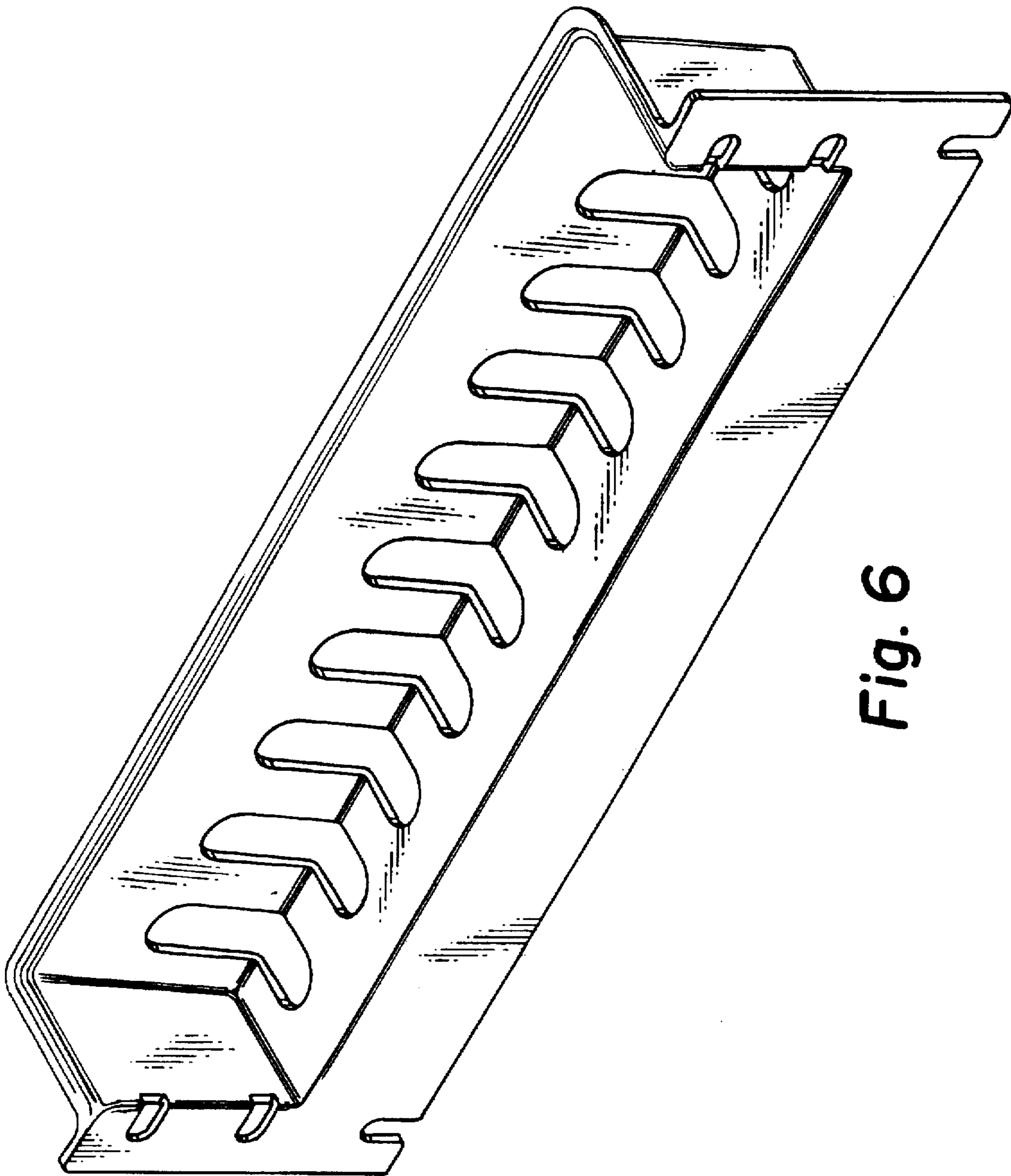


Fig. 6

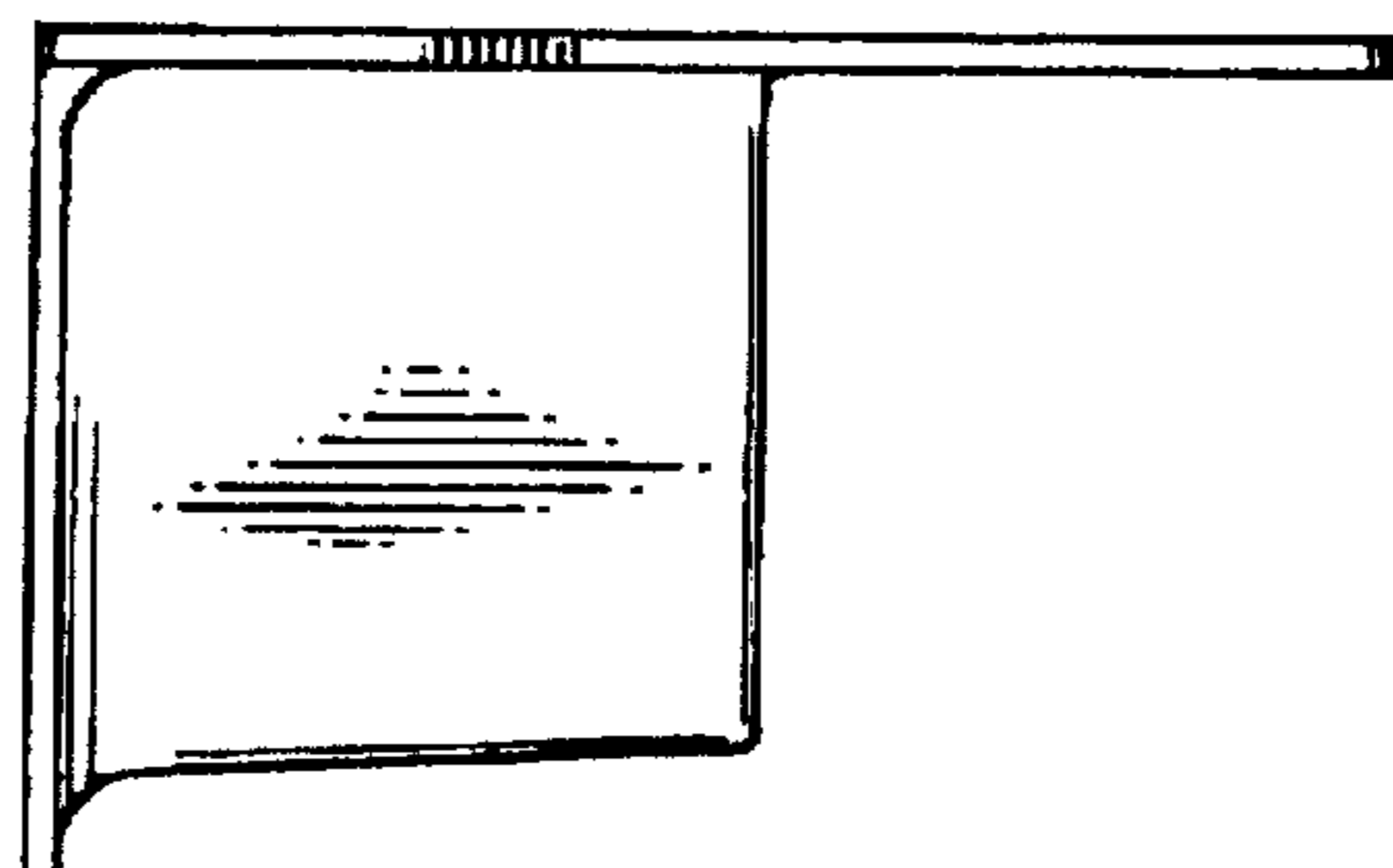


Fig. 7

Fig. 8

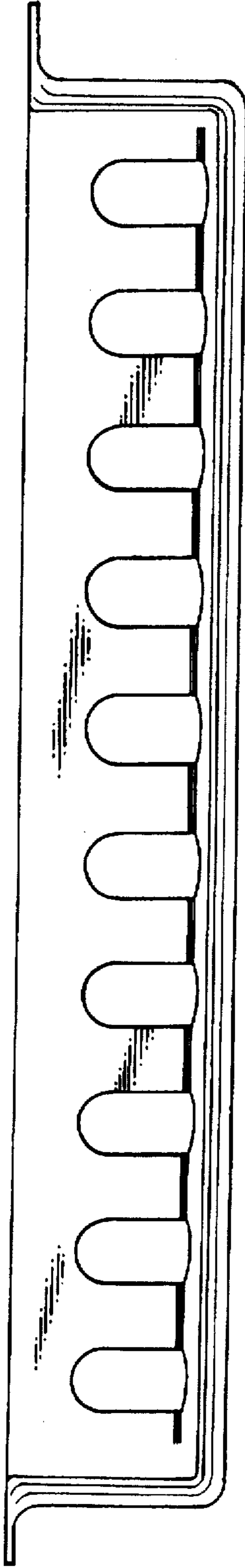


Fig. 9

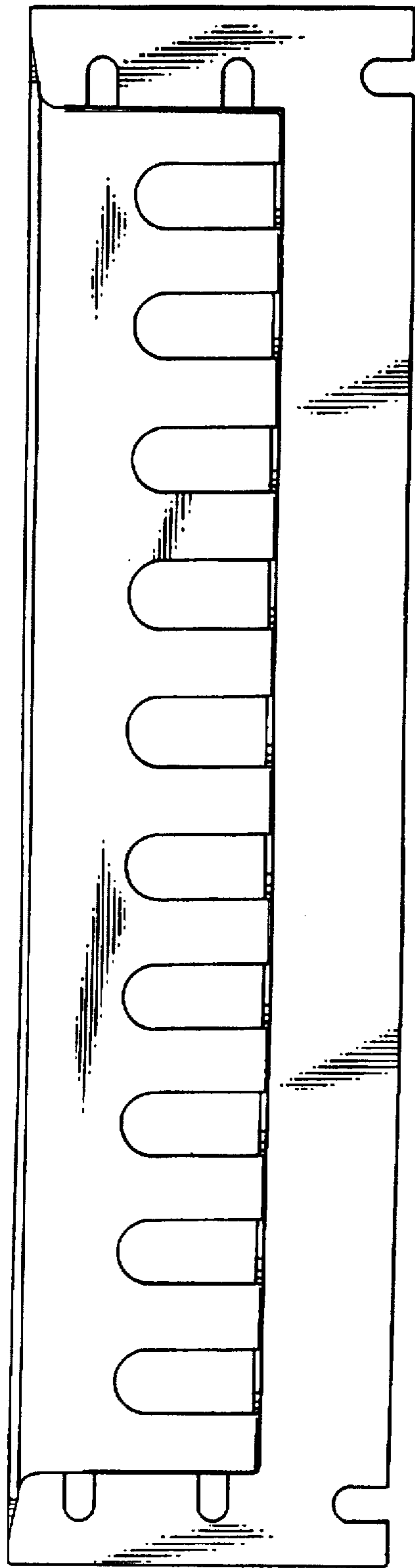


Fig. 10

