



US00D409034S

# United States Patent [19] Moon

[11] Patent Number: **Des. 409,034**

[45] Date of Patent: **\*\* May 4, 1999**

[54] **SHELF**

[75] Inventor: **In-Ho Moon**, Seoul, Rep. of Korea

[73] Assignee: **American Standard Inc.**, Piscataway, N.J.

[\*\*] Term: **14 Years**

[21] Appl. No.: **29/057,425**

[22] Filed: **Jul. 24, 1996**

### Related U.S. Application Data

[62] Division of application No. 29/044,045, Sep. 15, 1995, Pat. No. Des. 379,570, which is a division of application No. 29/018,908, Feb. 17, 1994, Pat. No. Des. 364,527.

### [30] Foreign Application Priority Data

Aug. 18, 1993	[KR]	Rep. of Korea	.....	93-16706
Aug. 18, 1993	[KR]	Rep. of Korea	.....	93-16707
Aug. 18, 1993	[KR]	Rep. of Korea	.....	93-16709
Aug. 18, 1993	[KR]	Rep. of Korea	.....	93-16715

[51] **LOC (6) Cl.** ..... **08-08**

[52] **U.S. Cl.** ..... **D6/574**

[58] **Field of Search** ..... D6/553, 567, 574, D6/528, 531, 534, 535; 211/13, 14, 34, 35, 63, 65, 66, 70.5, 70.6, 70.7, 71, 74, 75, 86-90, 126, 134; 108/25, 28

### [56] References Cited

#### U.S. PATENT DOCUMENTS

D. 274,023	5/1984	Boroch	.....	D6/574
D. 277,149	1/1985	Hind	.....	D6/574
D. 332,718	1/1993	Wolfe, III	.....	D6/574
D. 352,198	11/1994	Wright et al.	.....	D6/574
1,226,231	5/1917	Mack	.....	211/88
2,911,108	11/1959	Nield	.....	211/90

*Primary Examiner*—Brian N. Vinson

### [57] CLAIM

The ornamental design for a shelf, as shown and described.

### DESCRIPTION

FIG. 1 is a perspective view of a shelf showing my new design;

FIG. 2 is a front view thereof;

FIG. 3 is a rear view thereof;

FIG. 4 is a right side view thereof, the left side view being a mirror image of the right side;

FIG. 5 is a top plan view thereof; and,

FIG. 6 is a bottom plan view thereof.

**1 Claim, 3 Drawing Sheets**

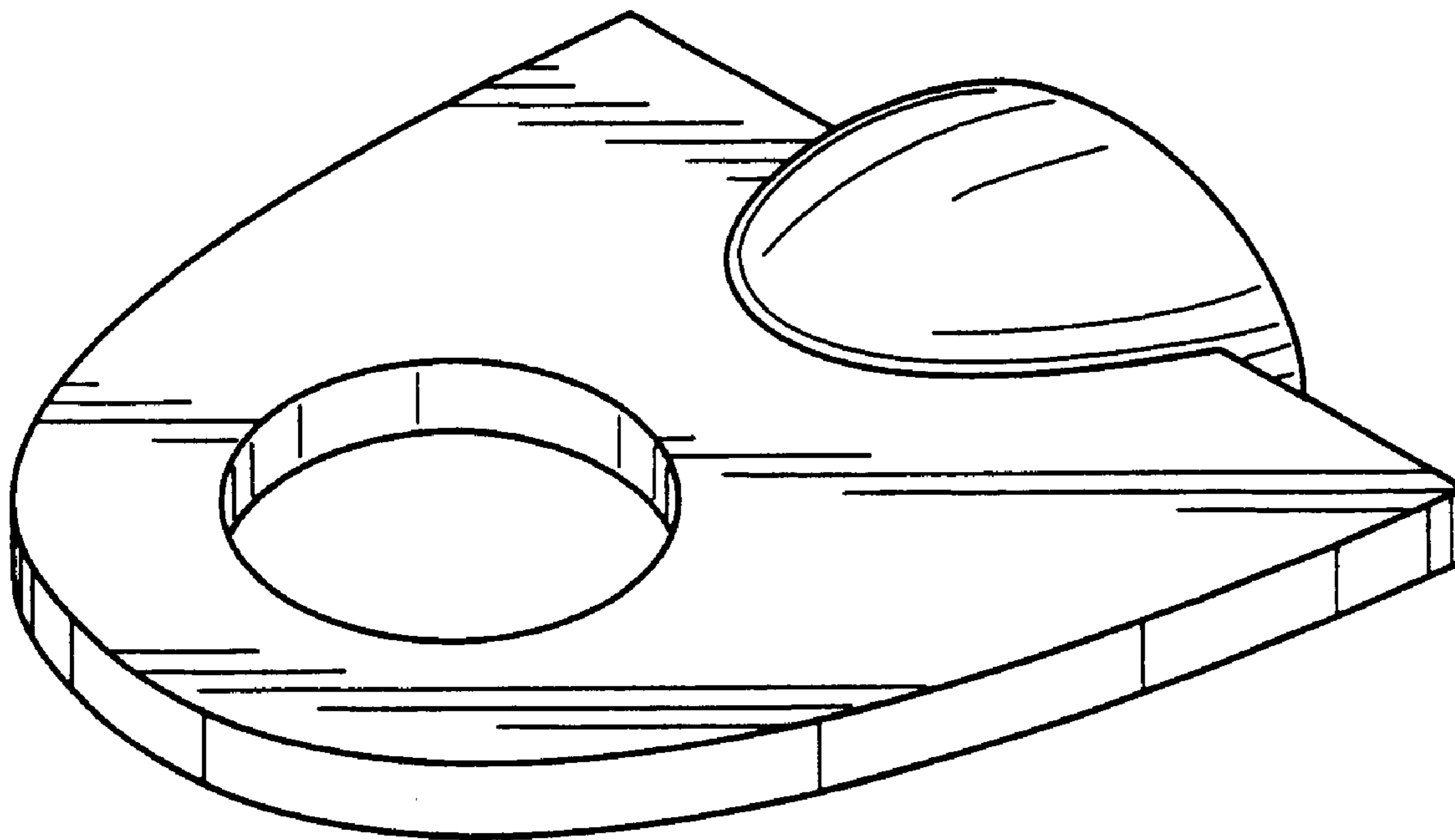


FIG. 1

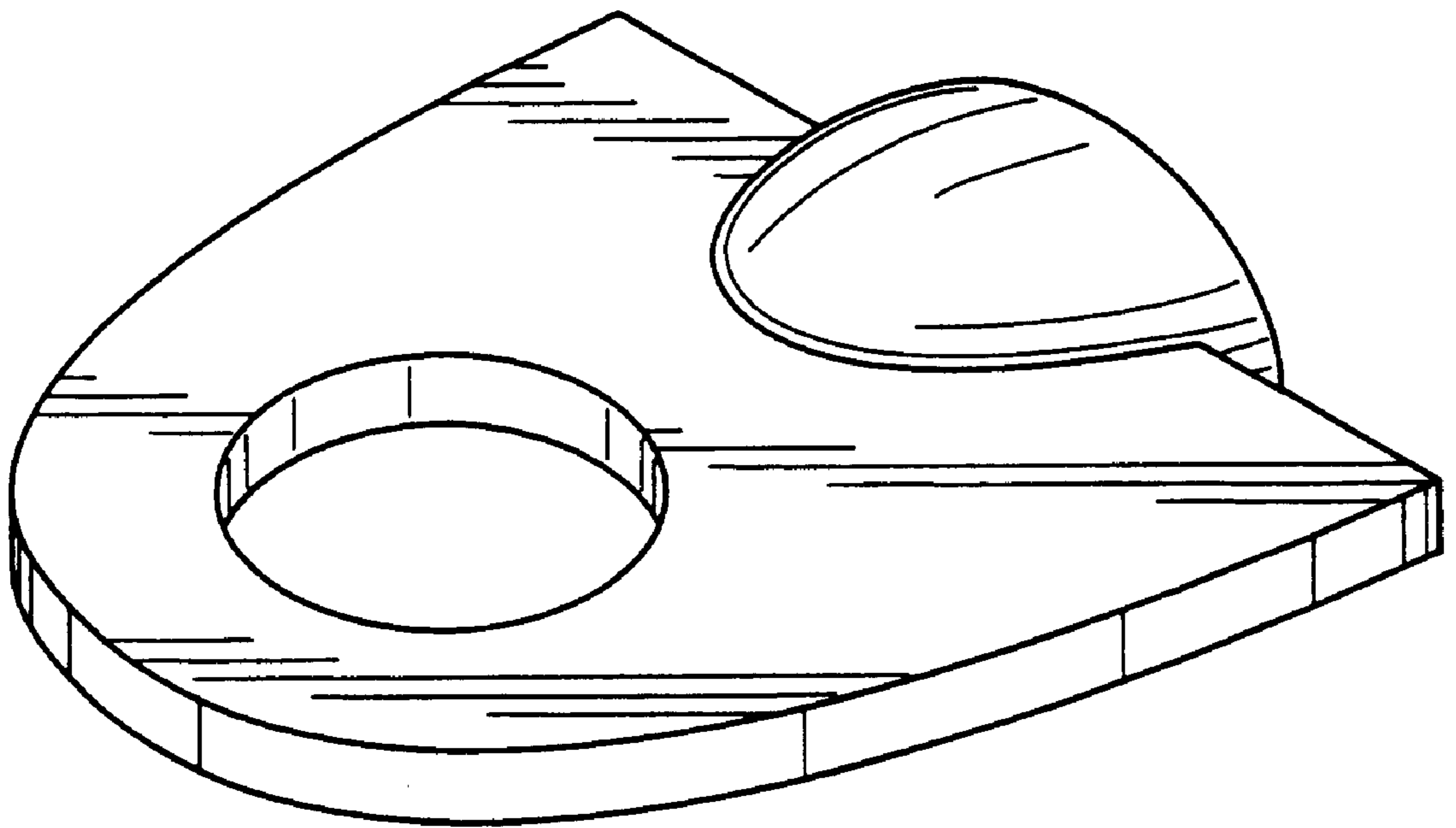


FIG. 2

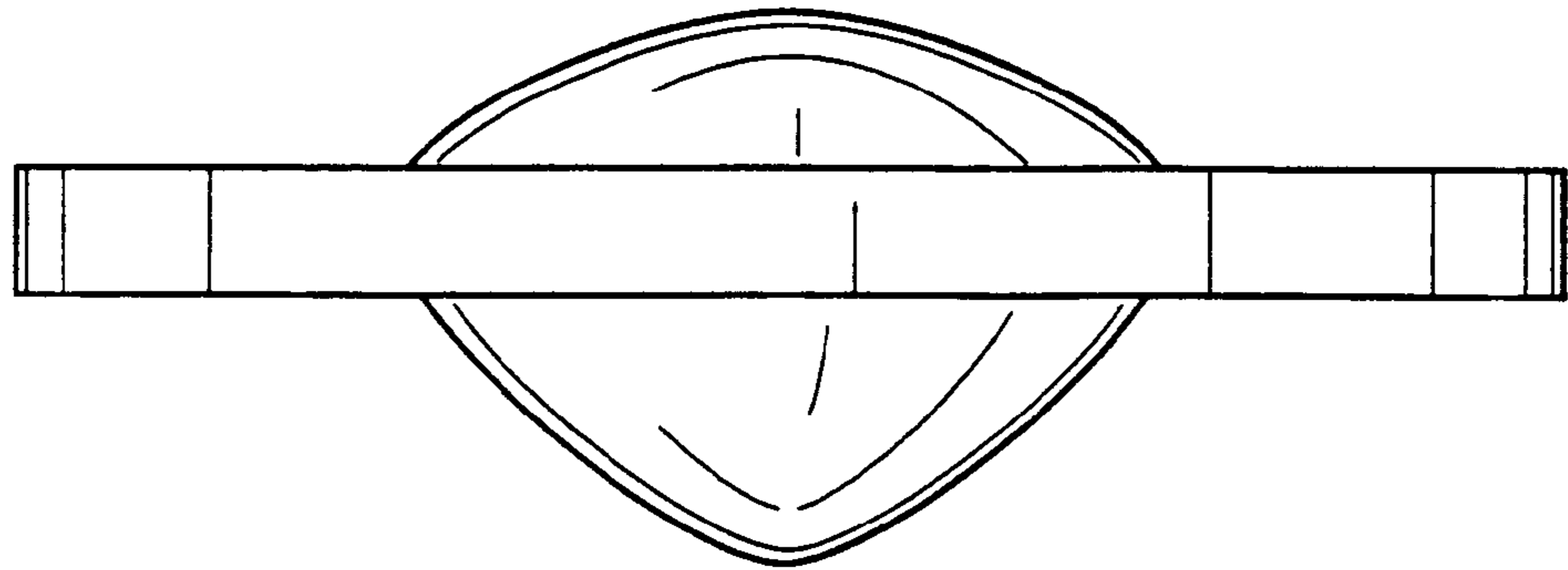


FIG. 3

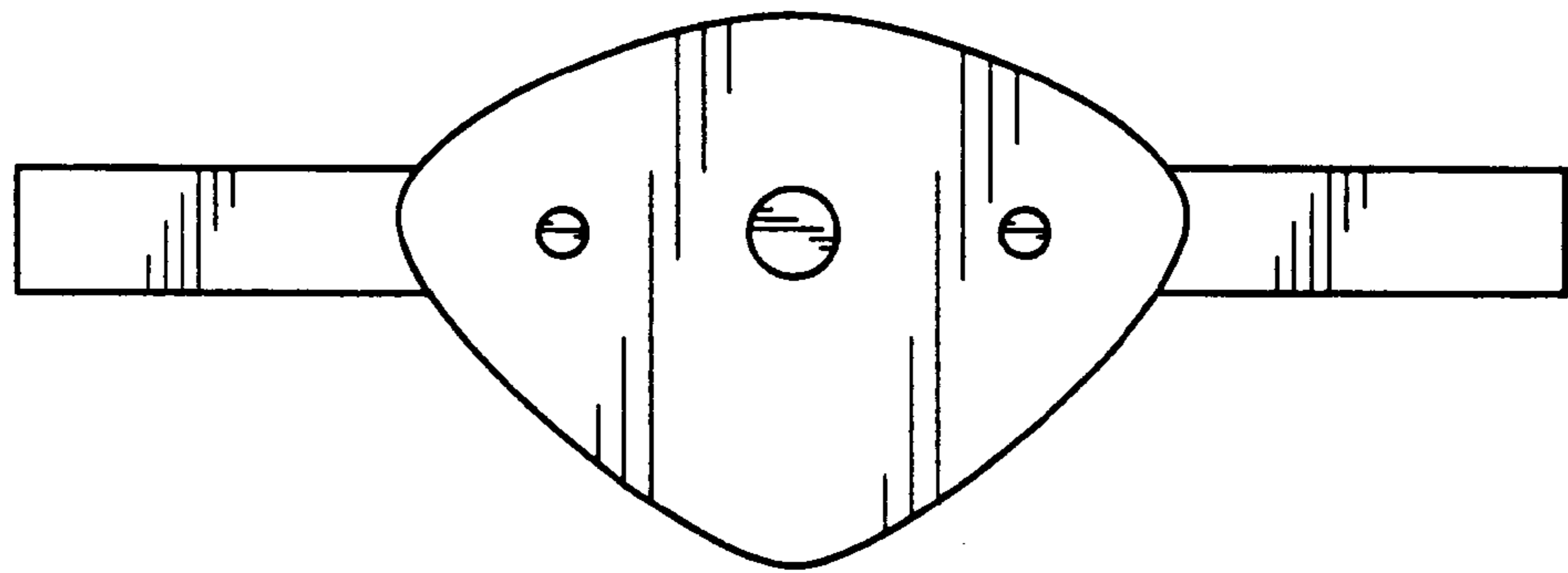


FIG. 4

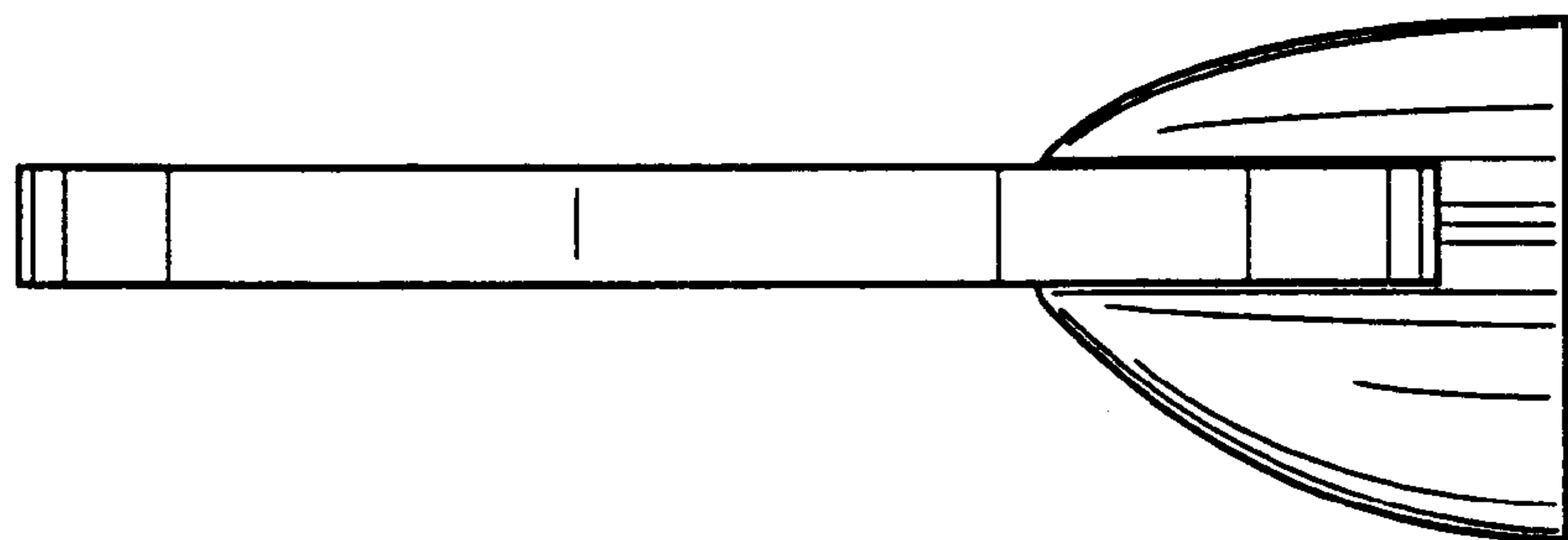


FIG. 5

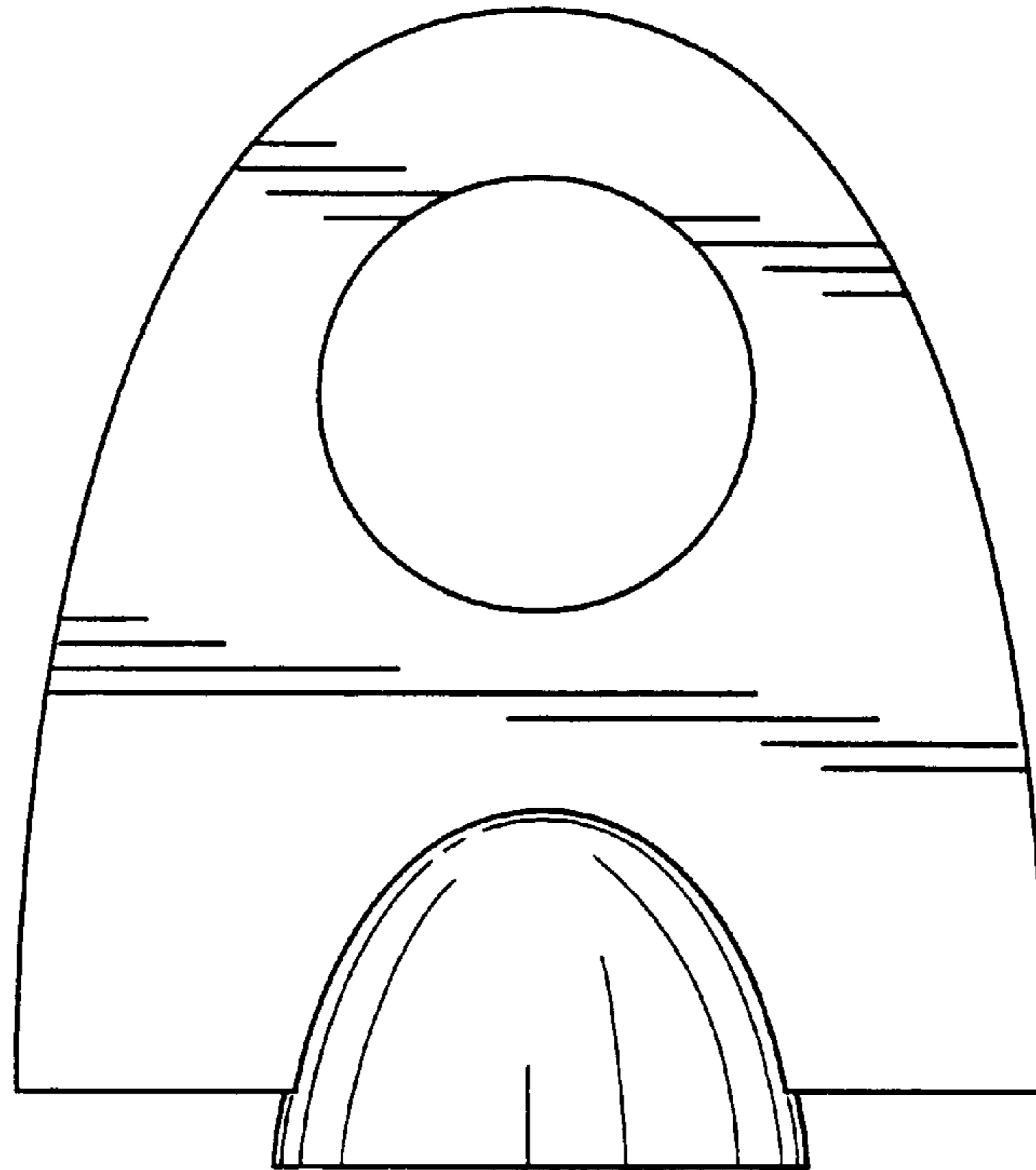


FIG. 6

