



US00D409032S

United States Patent [19]

[11] **Patent Number: Des. 409,032**

Kuo

[45] **Date of Patent: ** May 4, 1999**

[54] **MOUNT FOR TOWEL HOLDER**

[76] **Inventor: Kuo-Yung Kuo**, No. 1, Alley 85, Lane 816, Chung-Shan Rd., Shen-Kang Hsiang, Taichung Hsien, Taiwan

[**] **Term: 14 Years**

[21] **Appl. No.: 29/088,529**

[22] **Filed: May 26, 1998**

[51] **LOC (6) Cl. 07-07**

[52] **U.S. Cl. D6/550; D6/546**

[58] **Field of Search** D6/524-540, 546-550, D6/518, 522, 523; D8/349, 354, 363, 373, 380; 211/16, 86-87, 123; 248/315, 251

[56] **References Cited**

U.S. PATENT DOCUMENTS

D. 139,145	10/1944	Sadowski	D6/548
D. 180,811	8/1957	Schoenfeld	D6/548
D. 188,714	8/1960	Bonistall	D6/550
D. 296,964	8/1988	Jans	D6/548
D. 357,378	4/1995	Lehn et al.	D6/546

OTHER PUBLICATIONS

Baldwin Bath "Epic Accessories" Catalogue p. 6 "Palm Springs" hardware set.

Baldwin Bath "Epic Accessories" Catalogue p. 8 "Dallas" hardware set.

Primary Examiner—Brian N. Vinson
Attorney, Agent, or Firm—Skjerven, Morrill, MacPherson, Franklin & Friel LLP; Alan H. MacPherson

[57] **CLAIM**

The ornamental design for mount for towel holder, as shown and described.

DESCRIPTION

FIG. 1 is a perspective view of a mount for towel holder showing the first embodiment of my new design;

FIG. 2 is a front elevational view thereof;

FIG. 3 is a rear elevational view thereof;

FIG. 4 is a left side elevational view thereof;

FIG. 5 is a right side elevational view thereof;

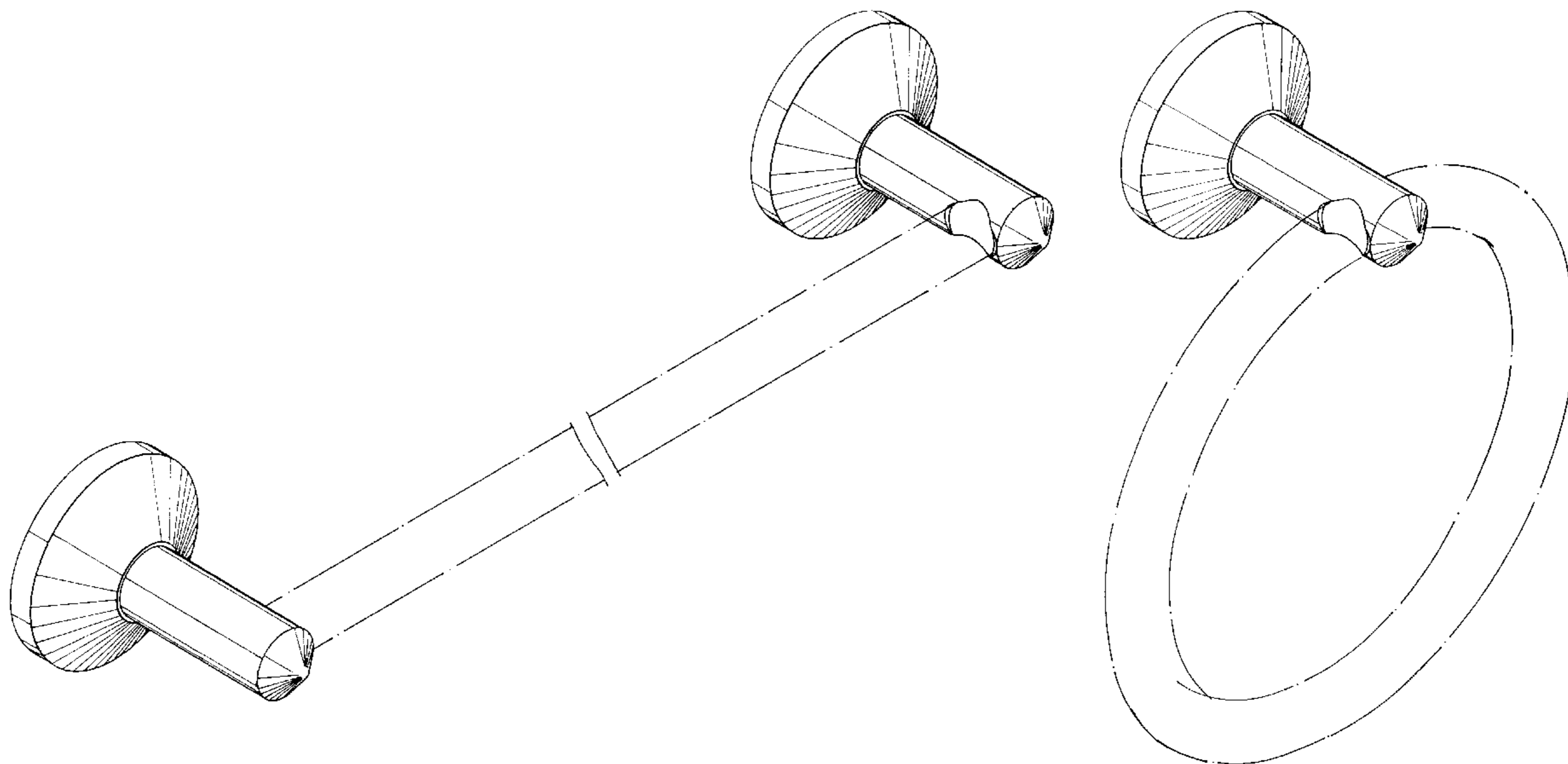
FIG. 6 is a top plan view thereof;

FIG. 7 is a bottom plan view thereof;

FIG. 8 is a perspective view of the second embodiment thereof, with the broken-line disclosure of a towel bar being for illustrative purposes only and forming no part of the claimed design; and,

FIG. 9 is a perspective view of the first embodiment thereof, with the broken-line disclosure of a towel ring being for illustrative purposes only and forming no part of the claimed design.

1 Claim, 6 Drawing Sheets



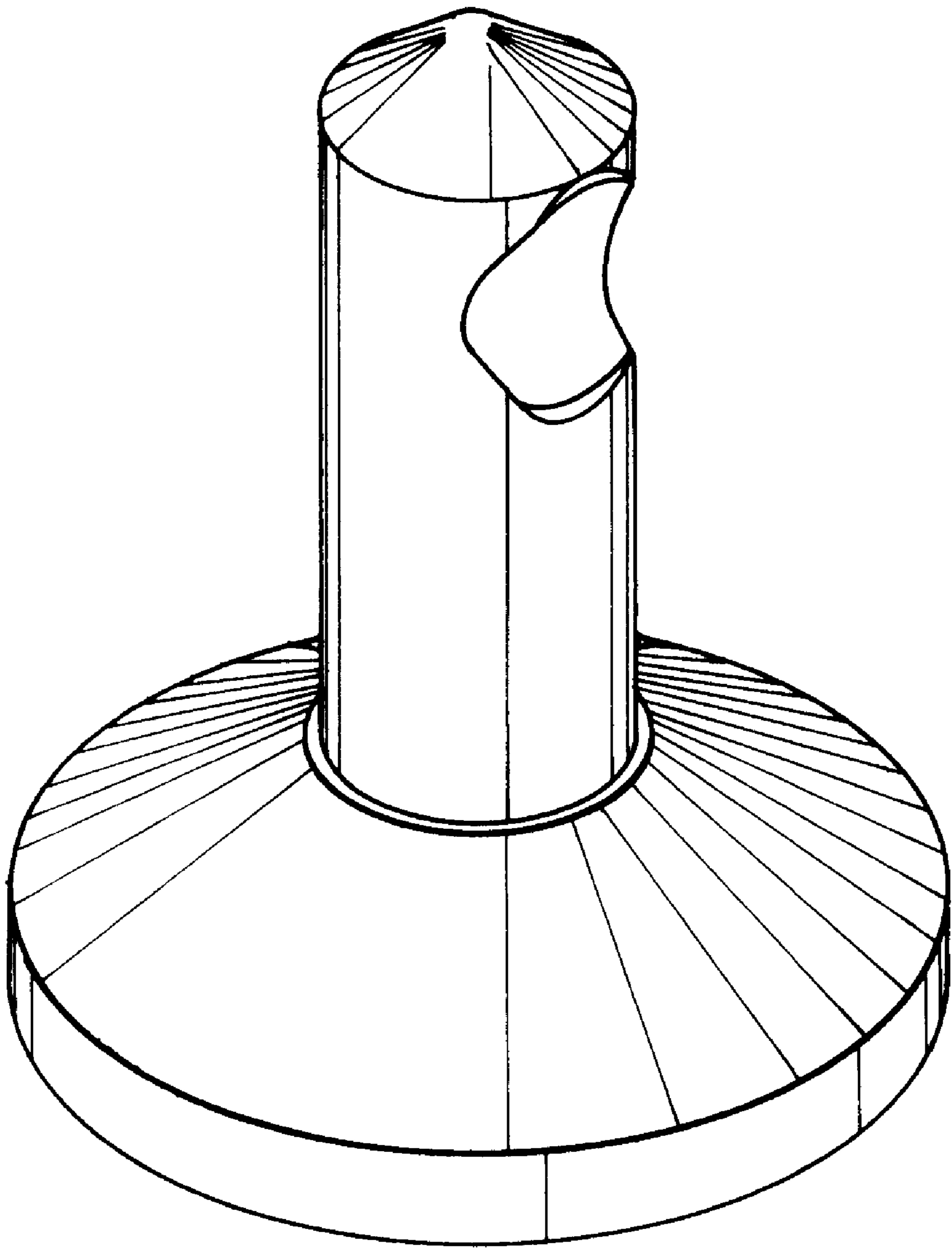


FIG. 1

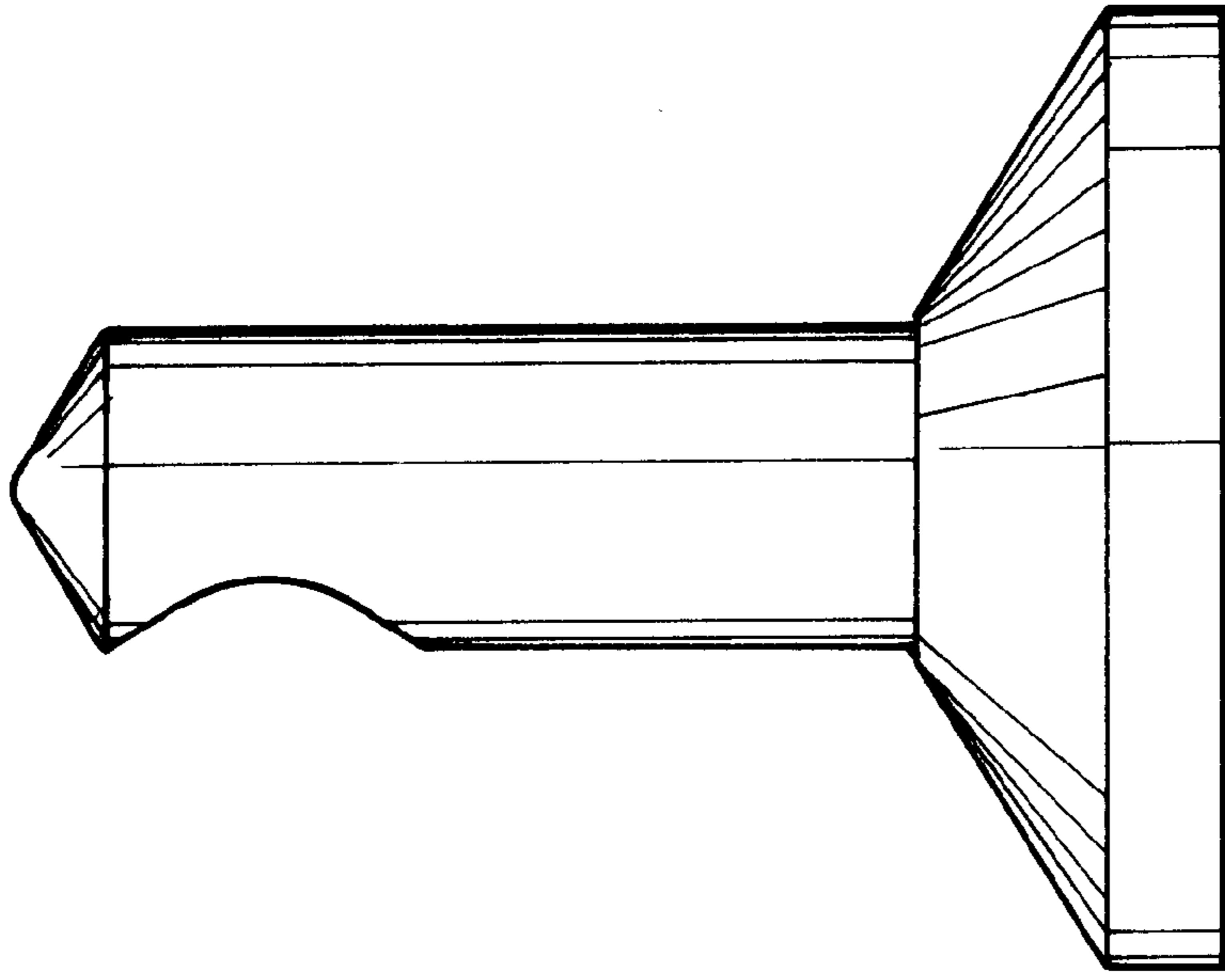


FIG. 2

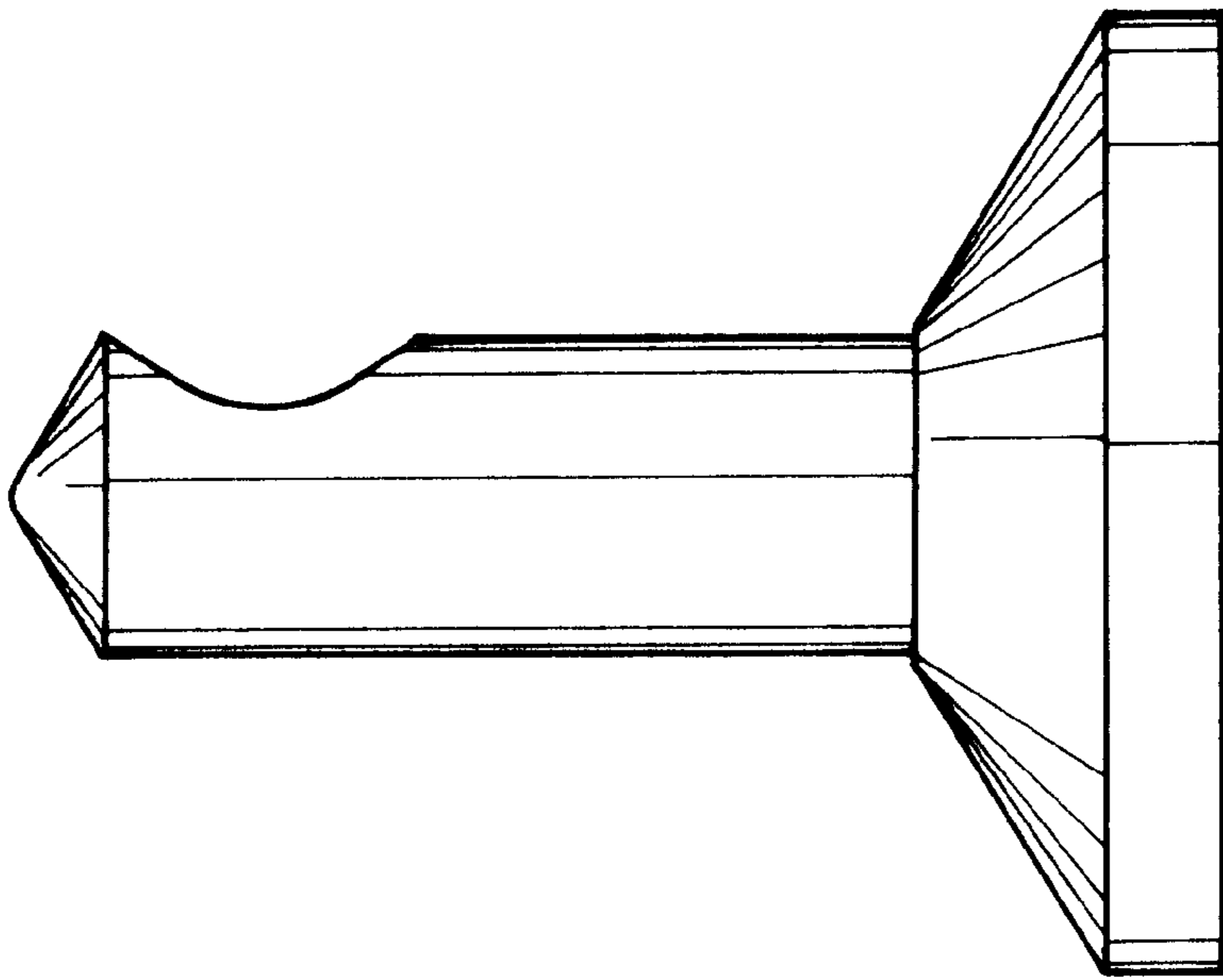


FIG. 3

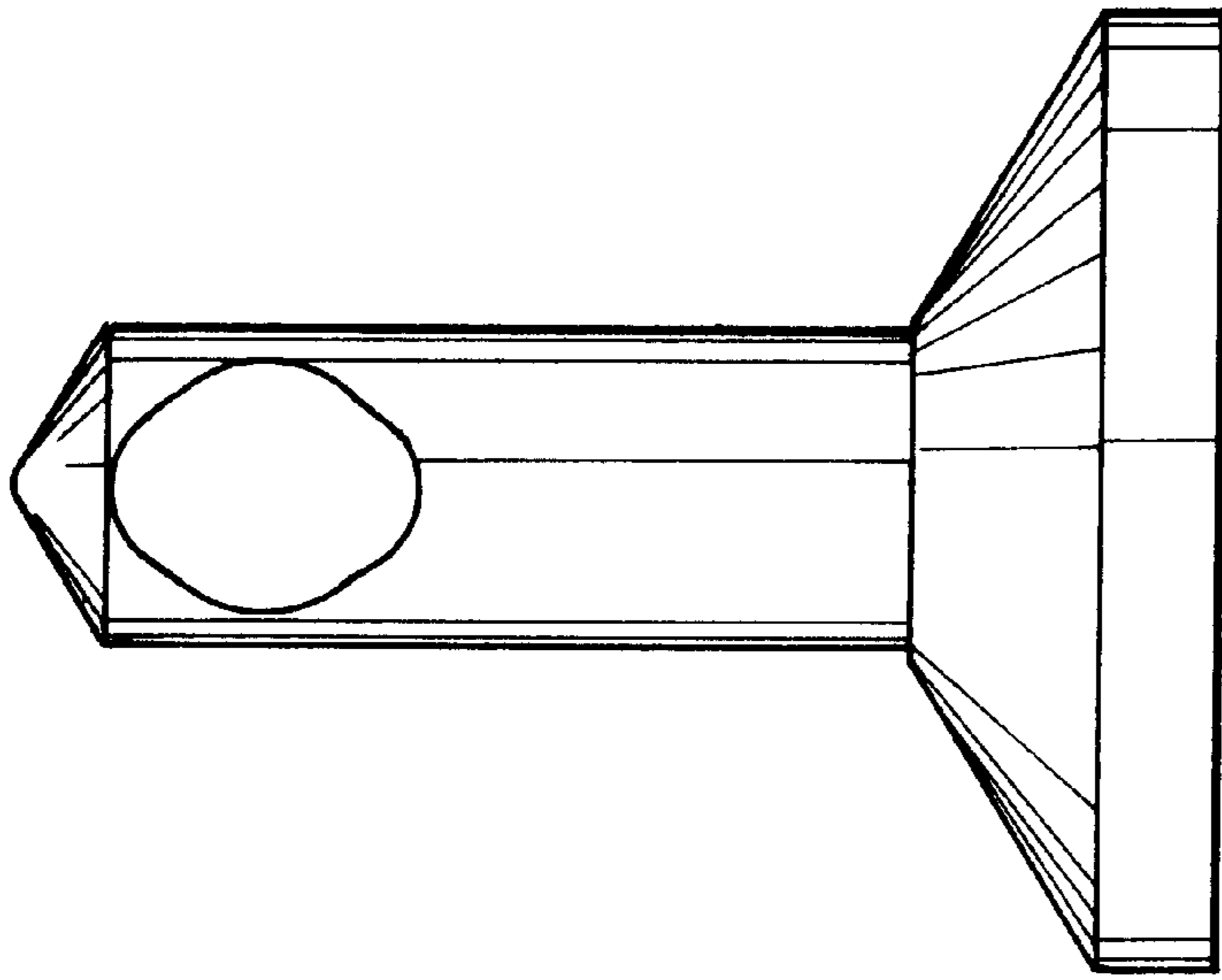


FIG. 5

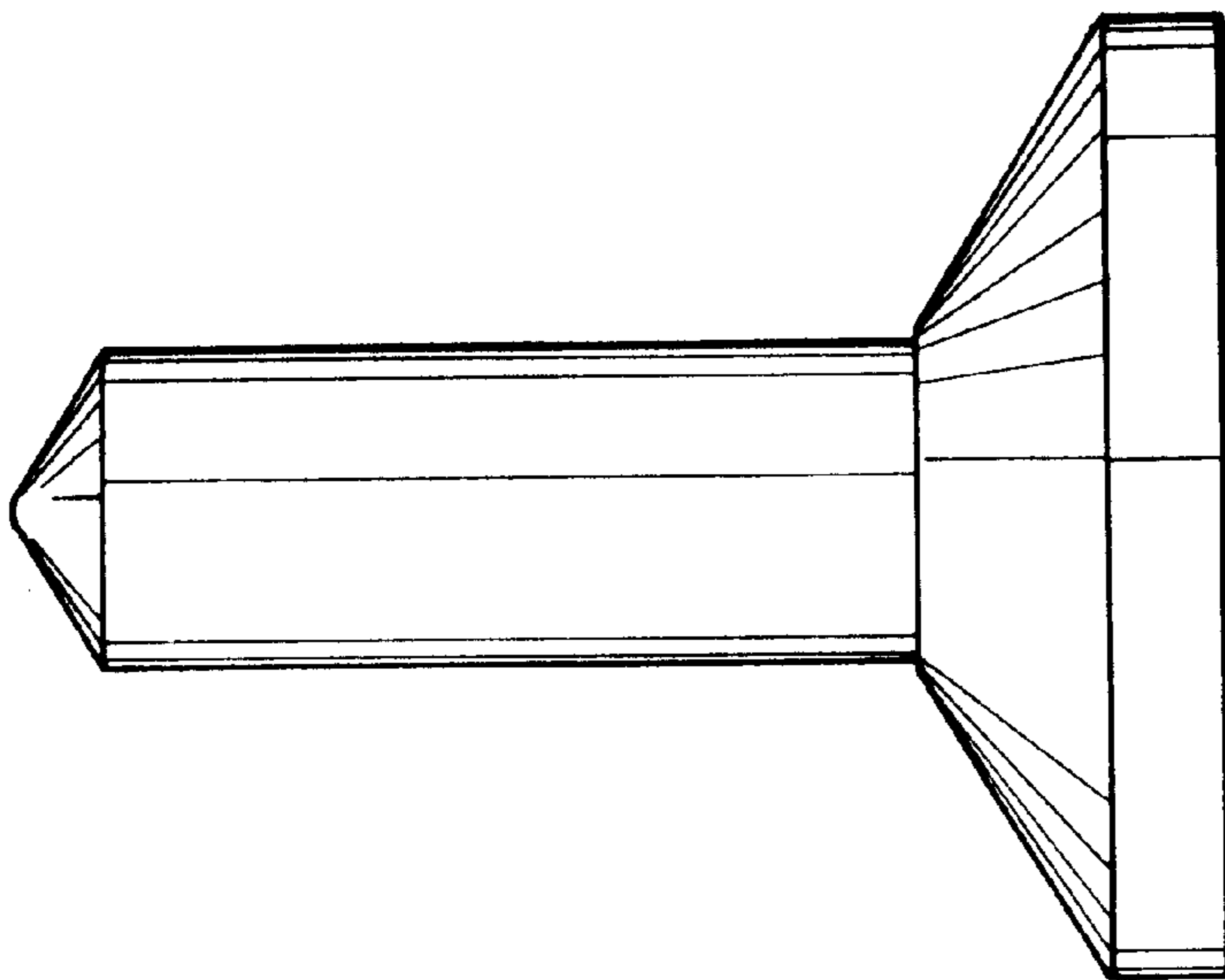


FIG. 4

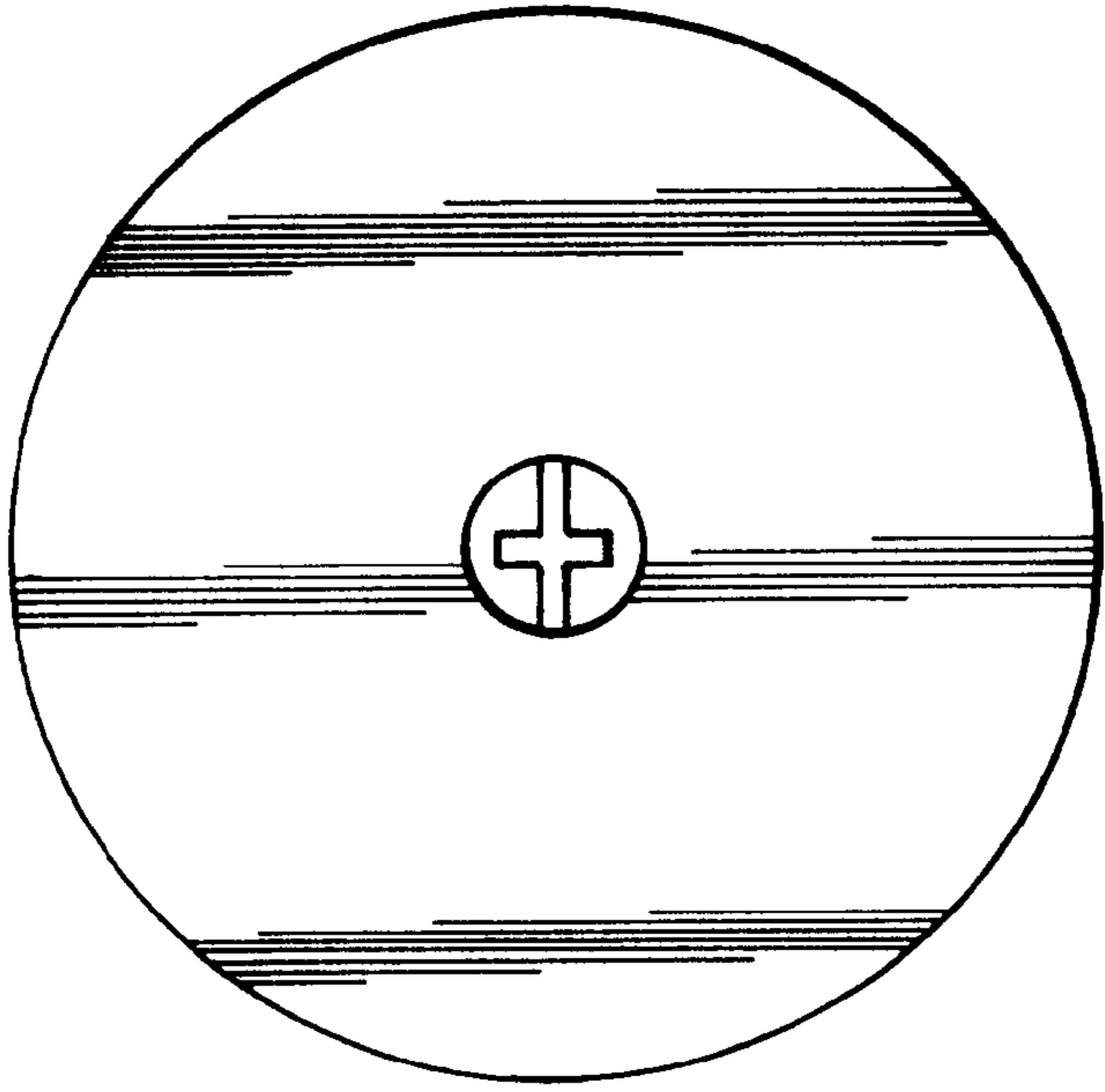


FIG. 7

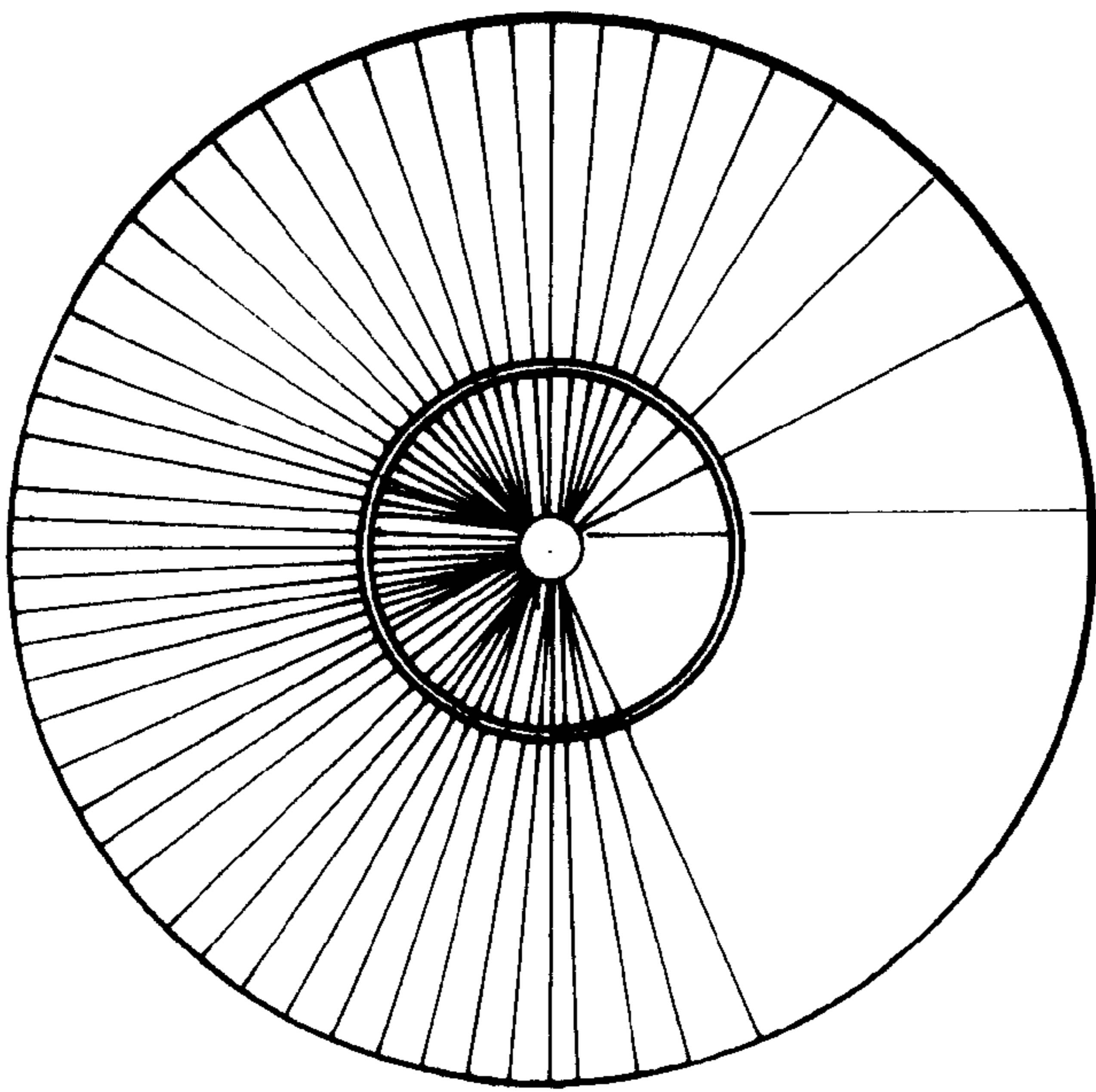


FIG. 6

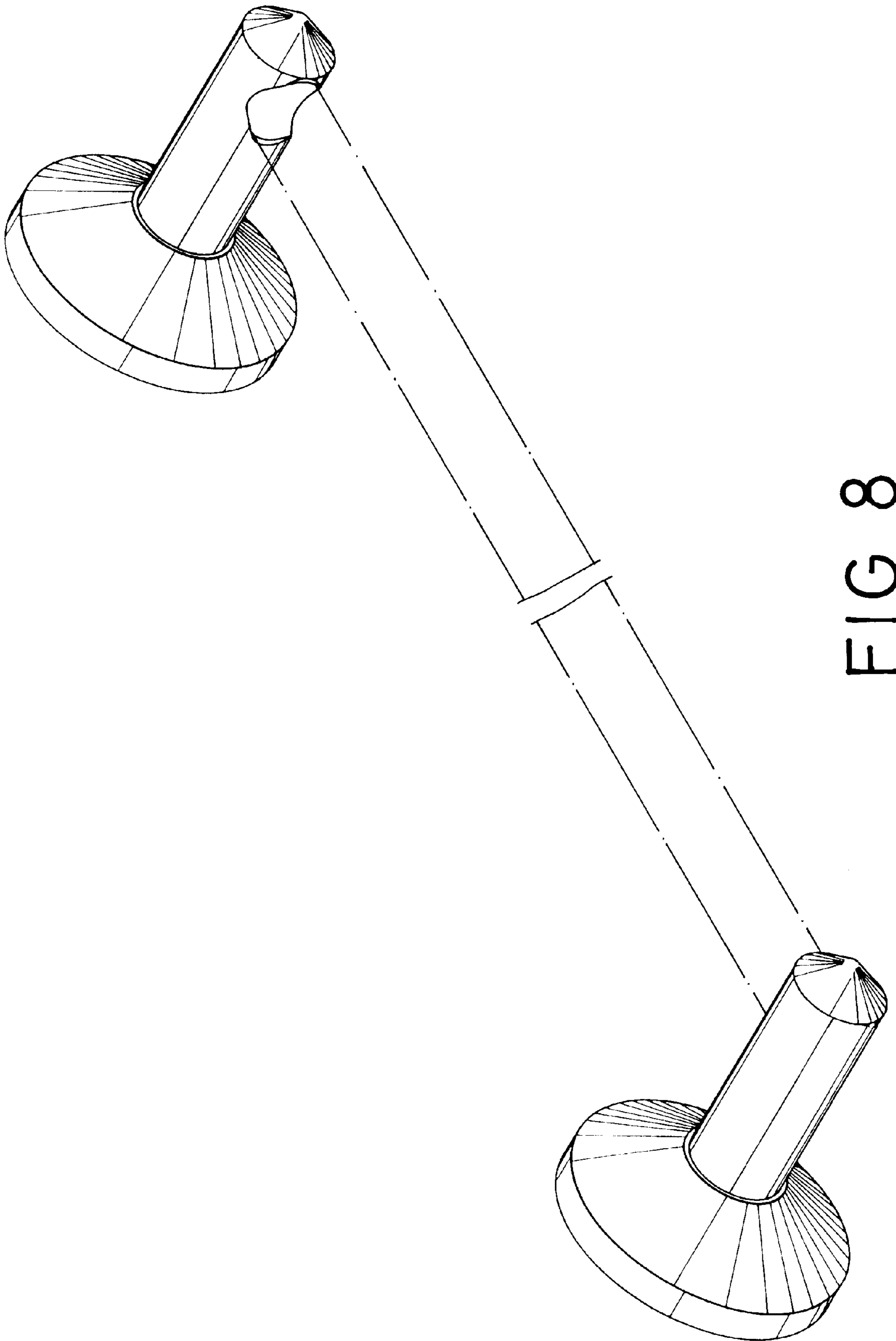


FIG. 8

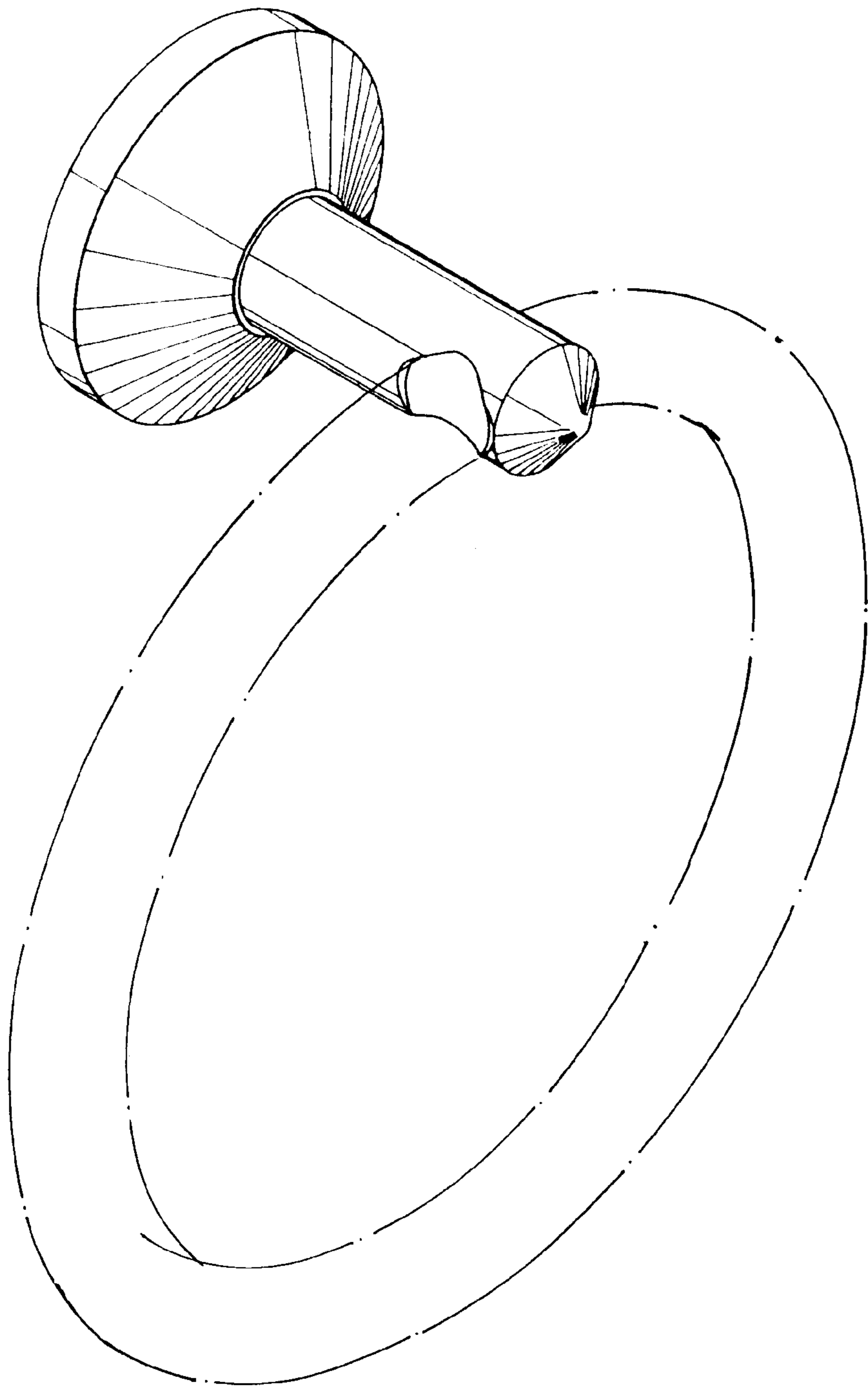


FIG. 9