



US00D409030S

# United States Patent [19] Sweetman

[11] **Patent Number: Des. 409,030**

[45] **Date of Patent: \*\* May 4, 1999**

[54] **TOWEL RING**

[75] **Inventor: Charles H. Sweetman**, Northridge, Calif.

[73] **Assignee: Creative Specialties, Inc.**, Sylmar, Calif.

[\*\*] **Term: 14 Years**

[21] **Appl. No.: 29/083,056**

[22] **Filed: Jan. 20, 1998**

[51] **LOC (6) Cl. .... 07-07**

[52] **U.S. Cl. .... D6/546**

[58] **Field of Search .... D6/546; 211/16, 211/86-87, 123; 243/315, 251, 201**

[56] **References Cited**

**U.S. PATENT DOCUMENTS**

- D. 259,754 7/1981 Fleischmann et al. .... D6/546
- D. 357,838 5/1995 Lehn et al. .... D6/546
- D. 357,839 5/1995 Lehn et al. .... D6/546

- D. 360,792 8/1995 Shames ..... D6/546
- D. 362,615 9/1995 Shames et al. .... D6/546
- D. 391,105 2/1998 Sharpe ..... D6/546
- D. 394,574 5/1998 Moore ..... D6/546
- D. 394,973 6/1998 Moore et al. .... D6/546
- D. 398,176 9/1998 Moore et al. .... D6/546
- 4,907,771 3/1990 Wang ..... 248/201 X

*Primary Examiner*—Brian N. Vinson  
*Attorney, Agent, or Firm*—Dorn, McEachran, Jambor & Keating

[57] **CLAIM**

The ornamental design for a towel ring, as shown and described.

**DESCRIPTION**

FIG. 1 is a front view of a towel ring showing my new design;  
FIG. 2 is a top view thereof;  
FIG. 3 is a right side view thereof, the left side being a mirror image of the right side; and,  
FIG. 4 is a bottom view thereof.

**1 Claim, 2 Drawing Sheets**

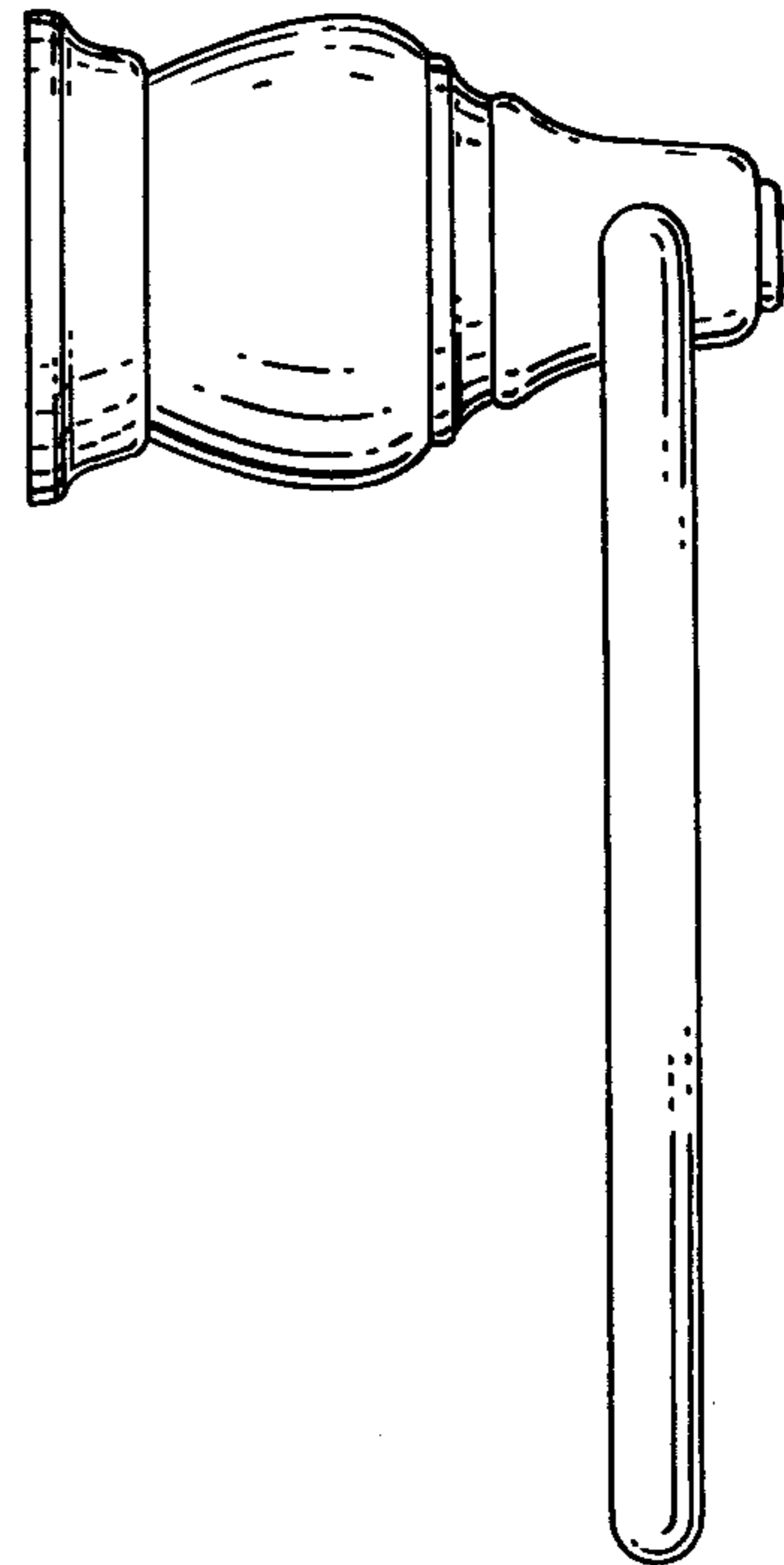
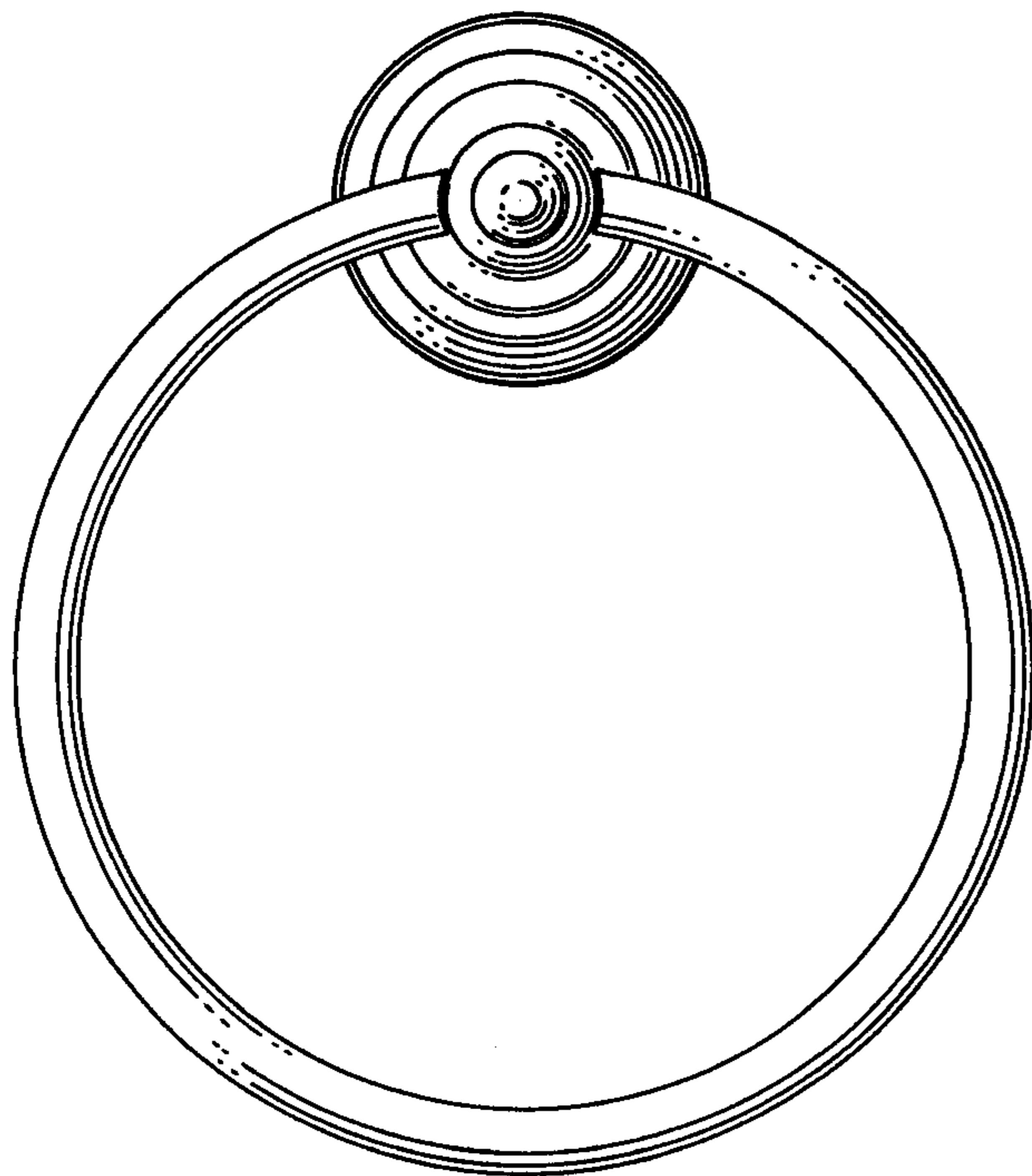


Fig. 1.

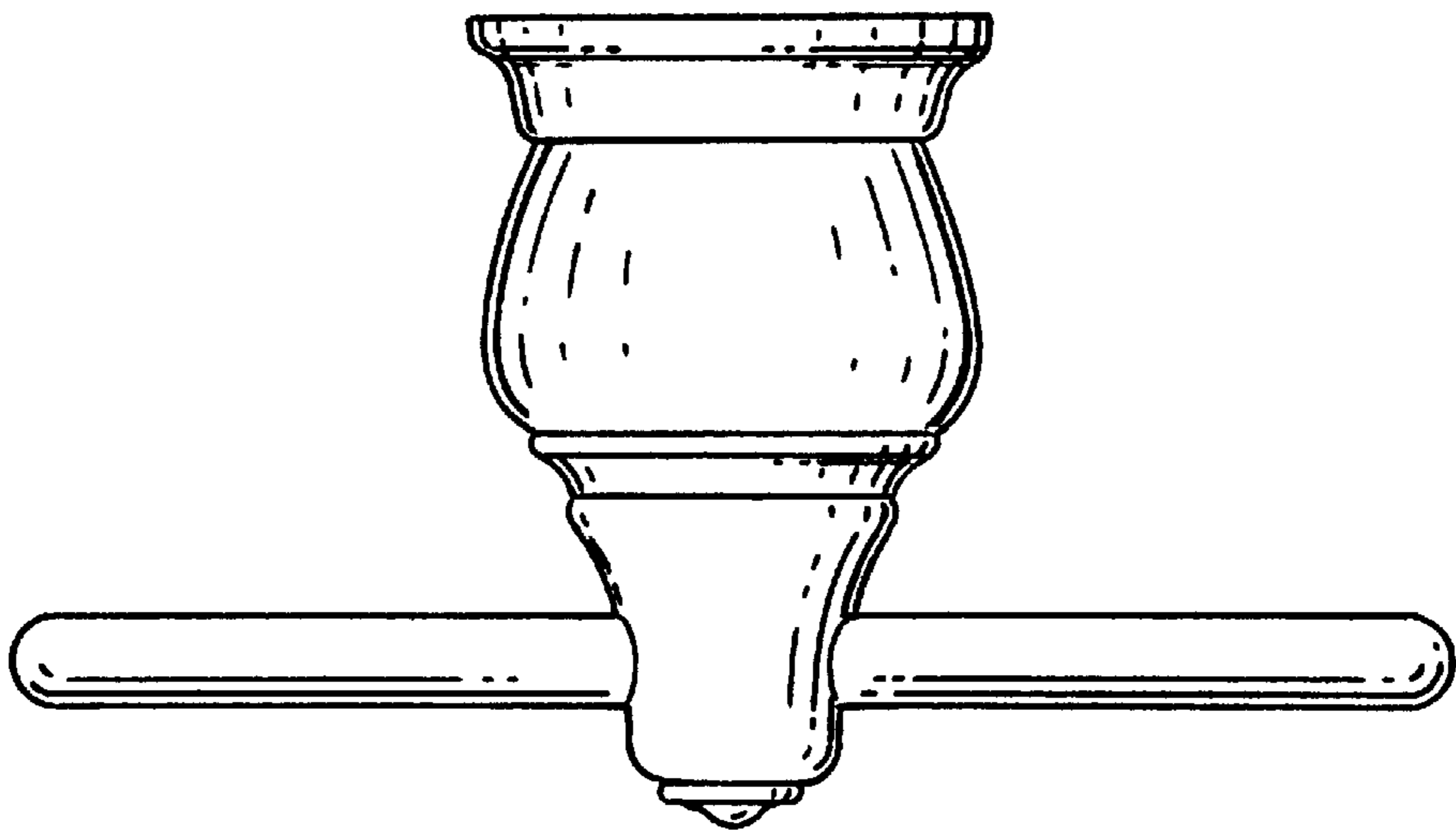
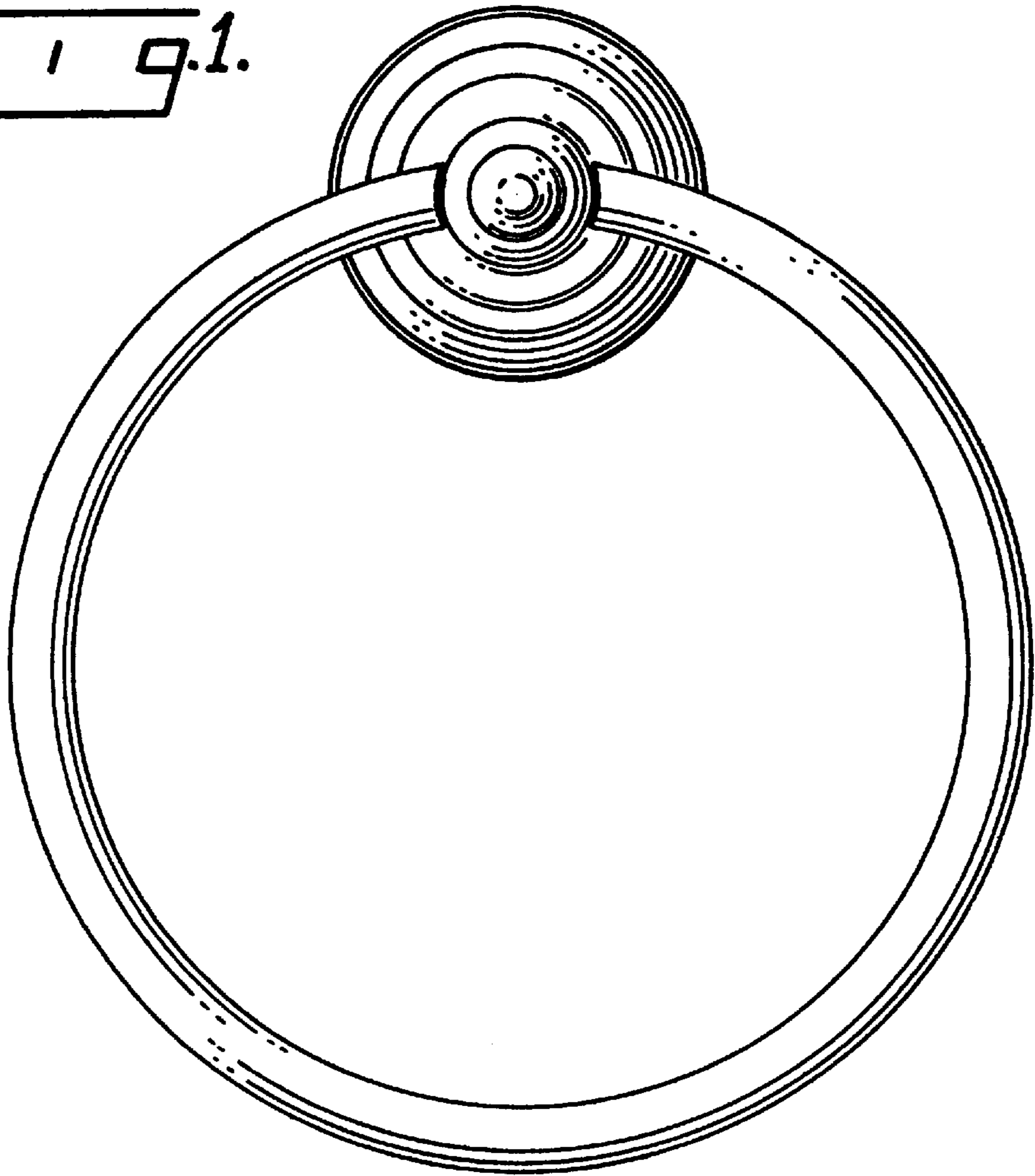


Fig. 2.

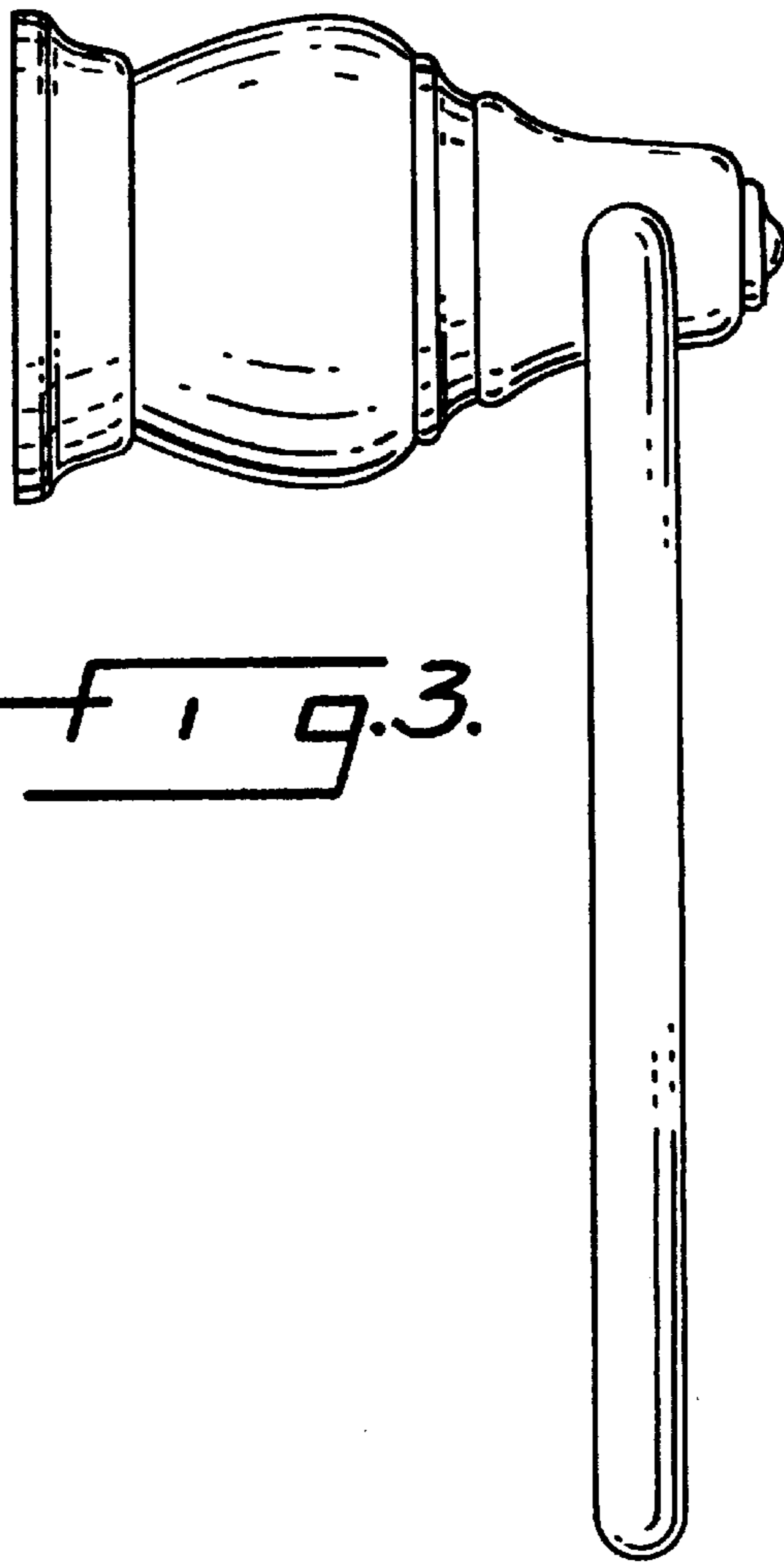


FIG. 3.

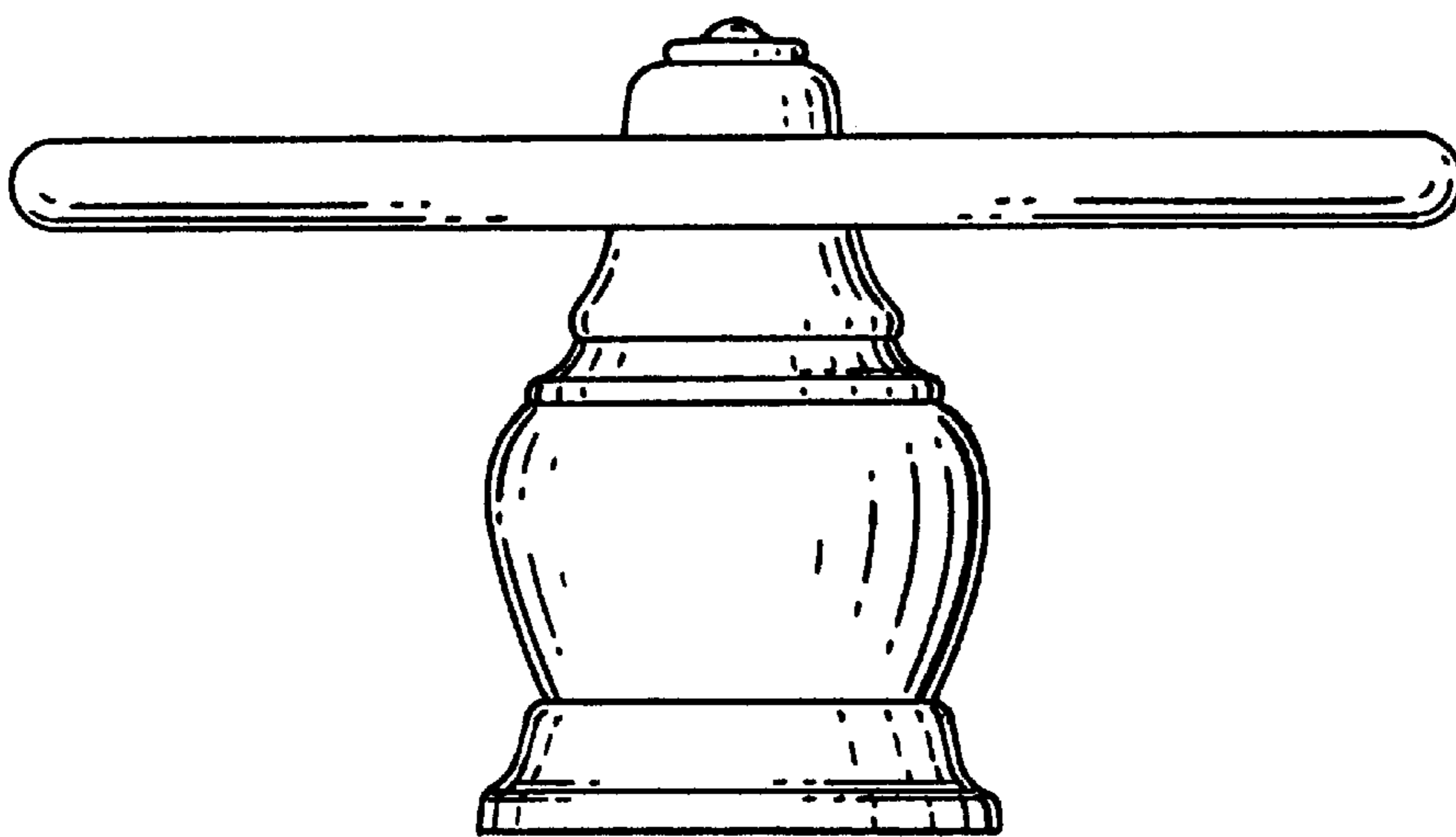


FIG. 4.