



US00D409028S

# United States Patent [19] Goodman

[11] Patent Number: Des. 409,028

[45] Date of Patent: \*\* May 4, 1999

[54] TOILET PAPER HOLDER

3,067,963 12/1962 Suggs ..... D6/523 X  
3,227,386 1/1966 Pitcher ..... D6/566 X

[76] Inventor: Sheldon H. Goodman, 30905 Stratford,  
Solon, Ohio 44139

Primary Examiner—Brian N. Vinson  
Attorney, Agent, or Firm—Pearne, Gordon, McCoy &  
Granger LLP

[\*\*] Term: 14 Years

[21] Appl. No.: 29/084,534

### [57] CLAIM

[22] Filed: Mar. 5, 1998

The ornamental design for a toilet paper holder, as shown  
and described.

[51] LOC (6) Cl. .... 02-07

### DESCRIPTION

[52] U.S. Cl. .... D6/523

[58] Field of Search ..... D6/518, 522, 523;  
211/16, 86, 87, 106, 119, 181.1; 248/302;  
242/570, 579, 590, 597

FIG. 1 is a side, top and front perspective view of a toilet  
paper holder showing my new design;  
FIG. 2 is a top plan view thereof;  
FIG. 3 is a bottom plan view thereof;  
FIG. 4 is a front elevational view thereof;  
FIG. 5 is a rear elevational view thereof;  
FIG. 6 is a right side elevational view thereof; and,  
FIG. 7 is a left side elevational view thereof.

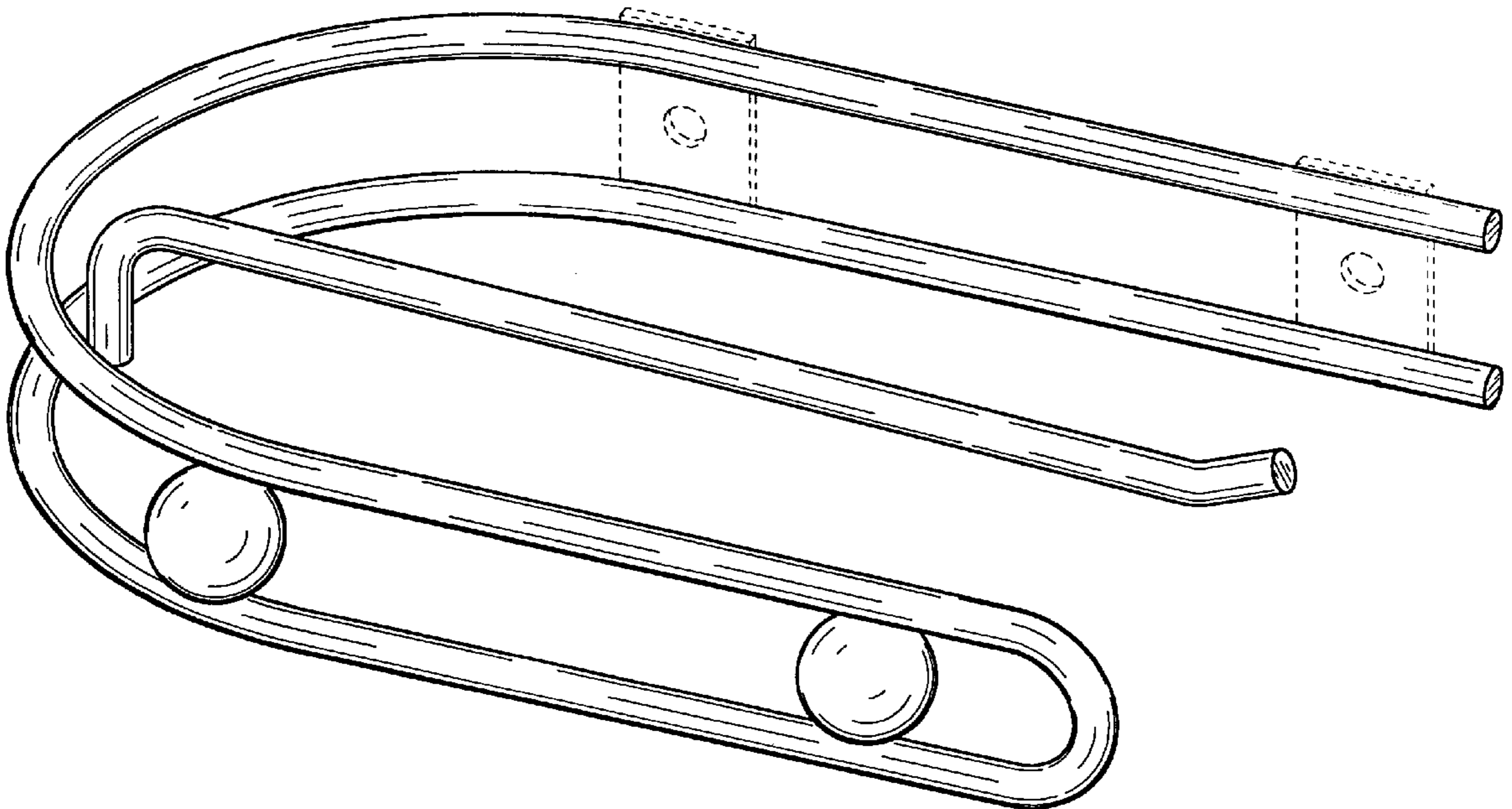
### [56] References Cited

#### U.S. PATENT DOCUMENTS

D. 285,850	9/1986	Waldron	.....	D6/518 X
D. 383,343	9/1997	Goodman	.....	D6/523
D. 383,630	9/1997	Goodman	.....	D6/523
D. 385,446	10/1997	Keserica	.....	D6/523
D. 390,054	2/1998	Goodman	.....	D6/522
D. 395,567	6/1998	Hollinger	.....	D6/522

The broken-line disclosure of wall-mounting means in the  
views is for illustrative purposes only and forms no part of  
the claimed design.

1 Claim, 3 Drawing Sheets



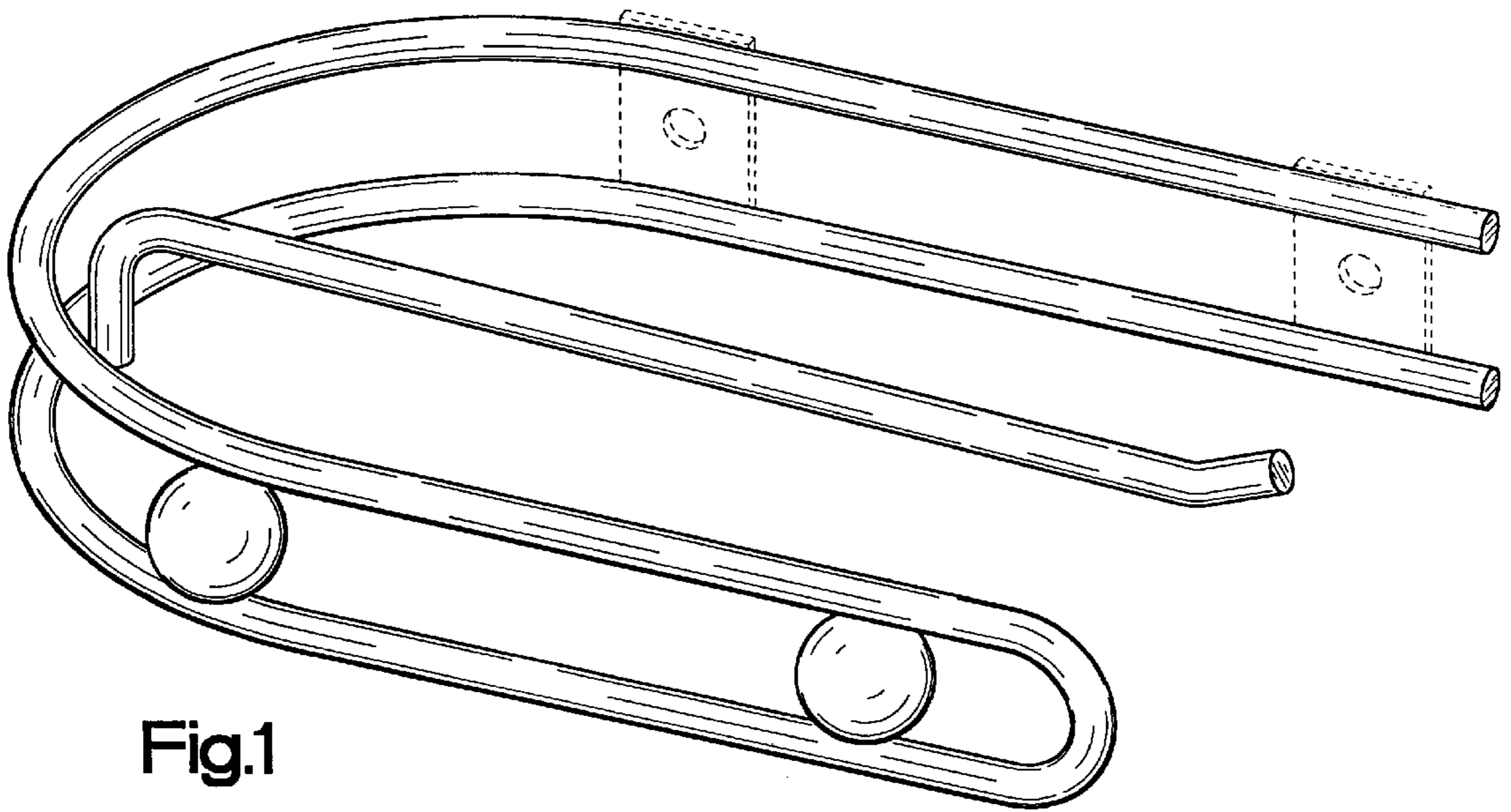


Fig.1

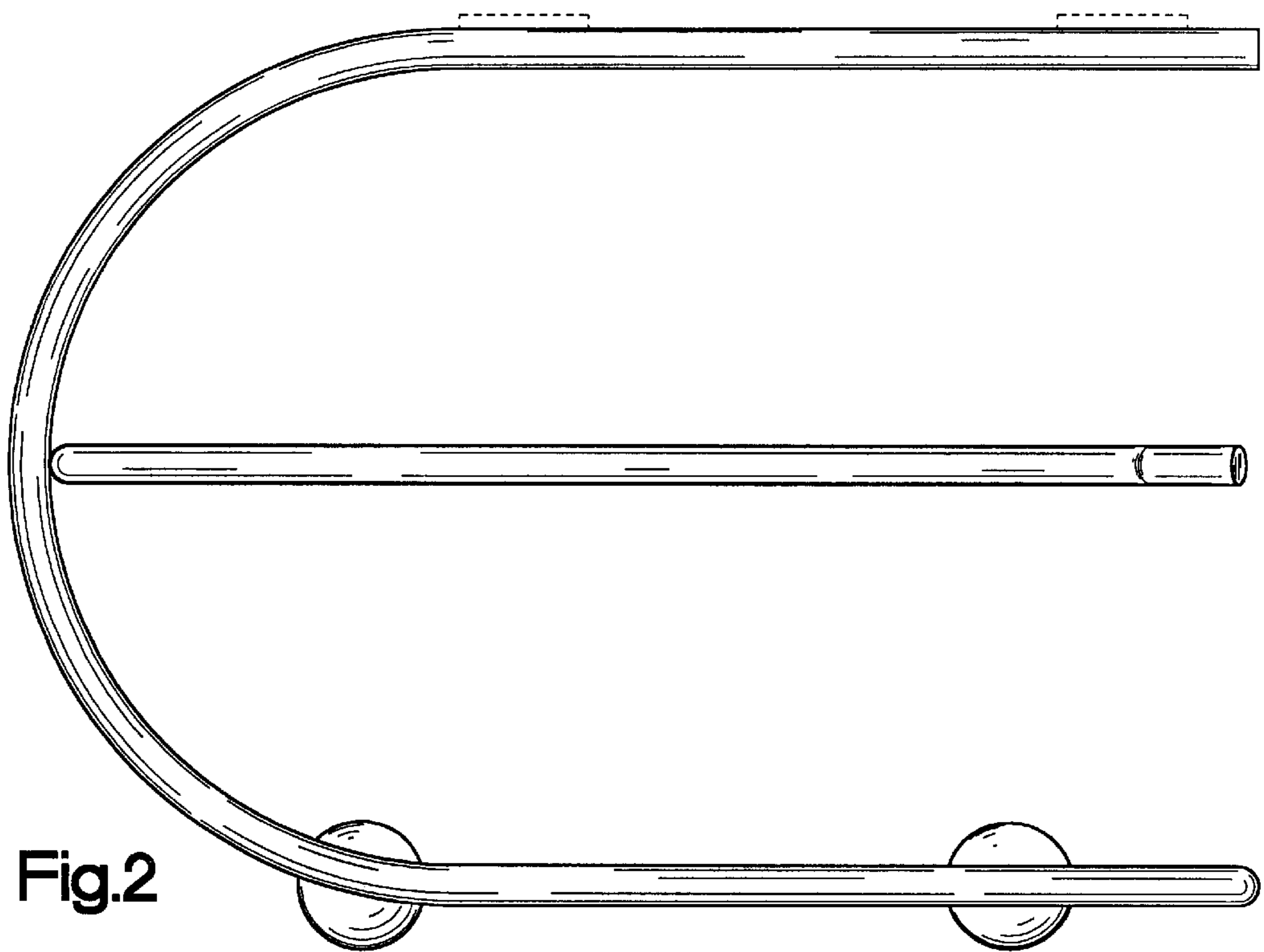


Fig.2

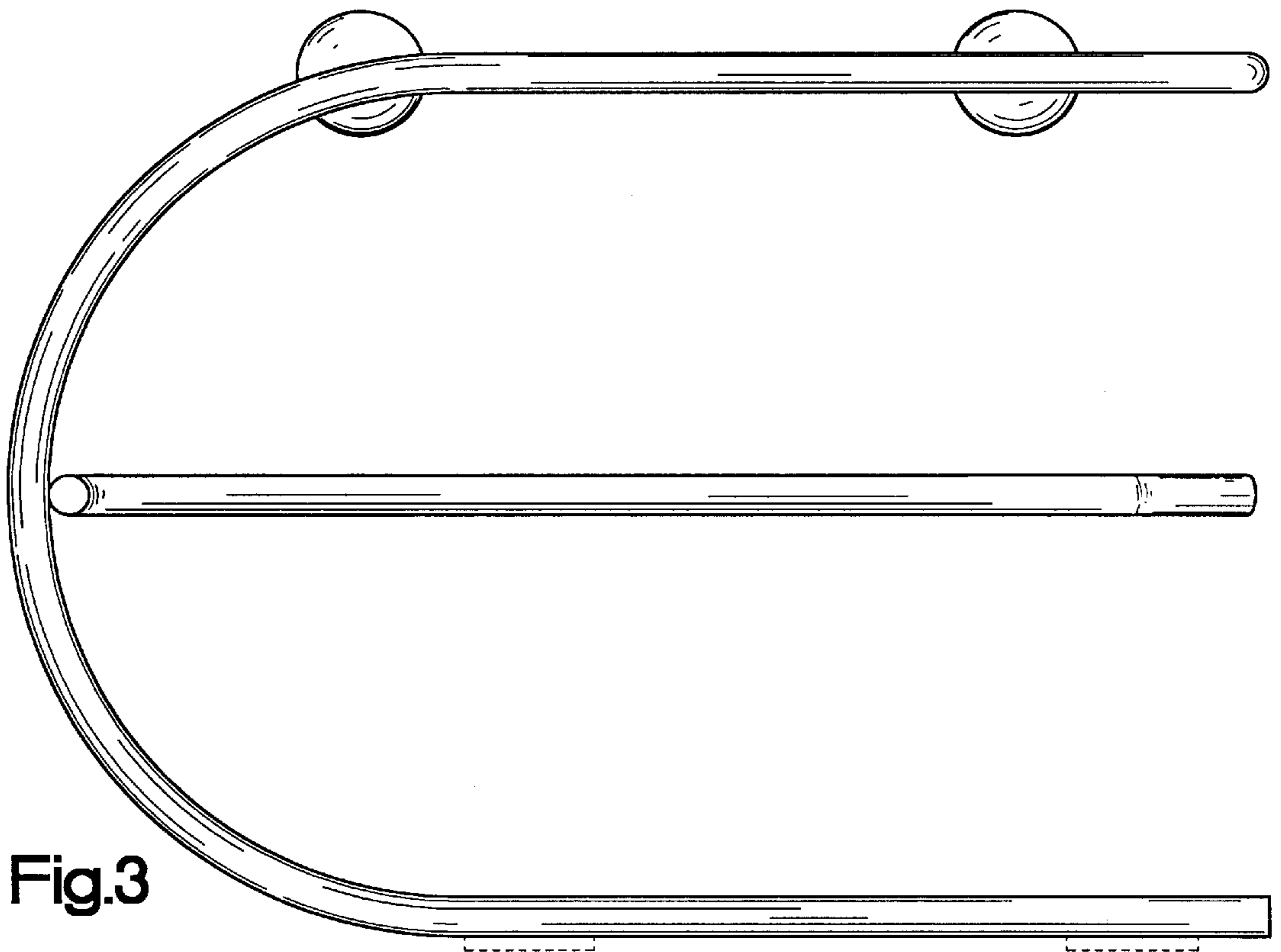


Fig.3

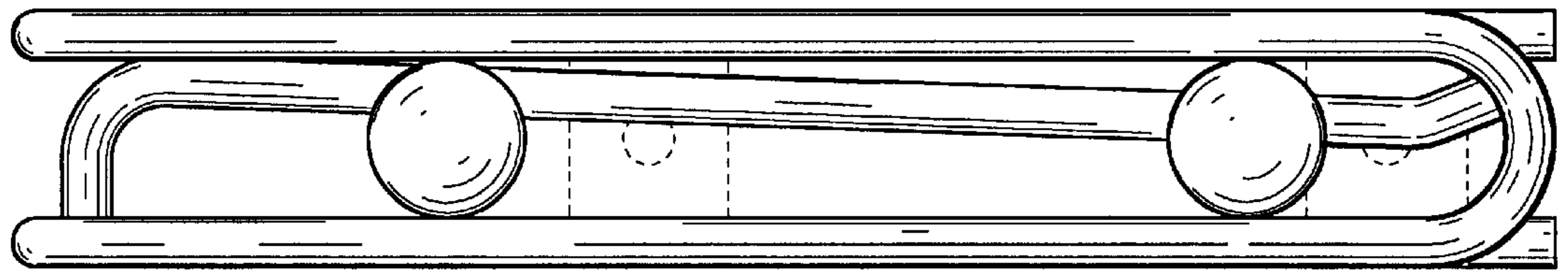


Fig.4

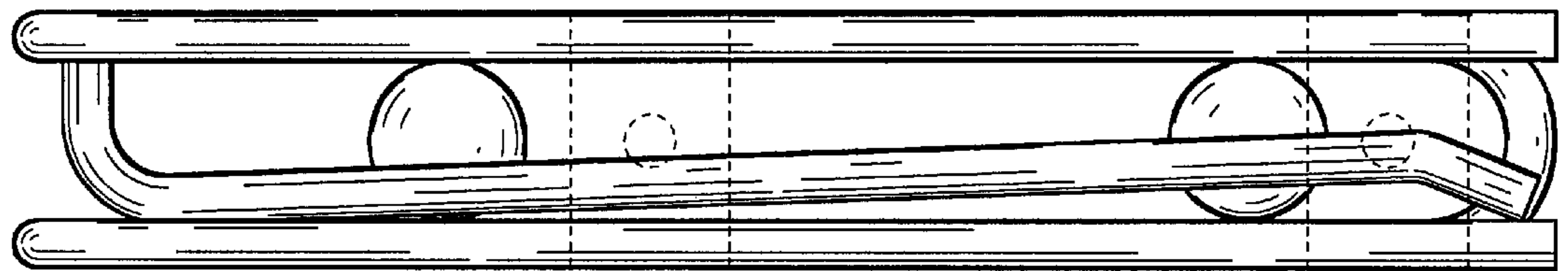


Fig.5

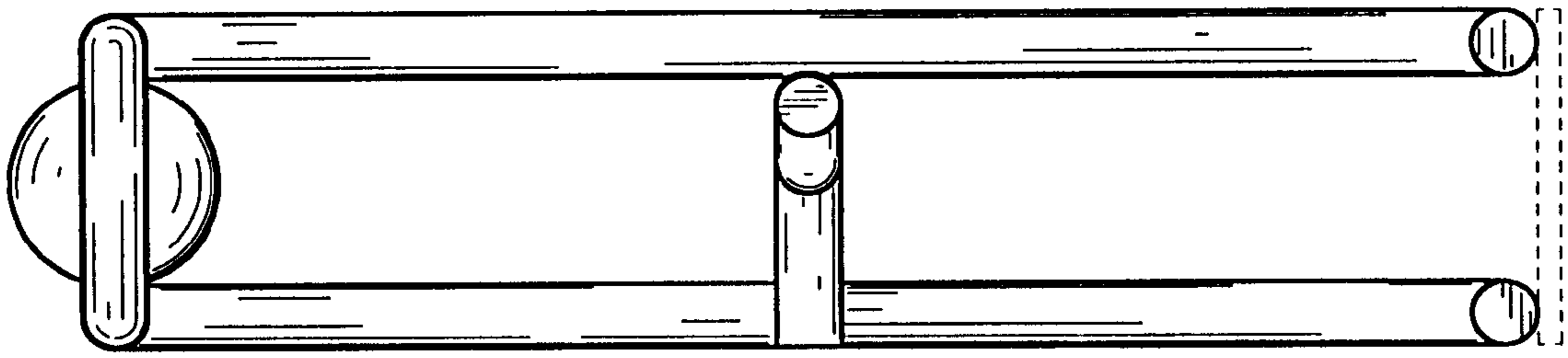


Fig.6

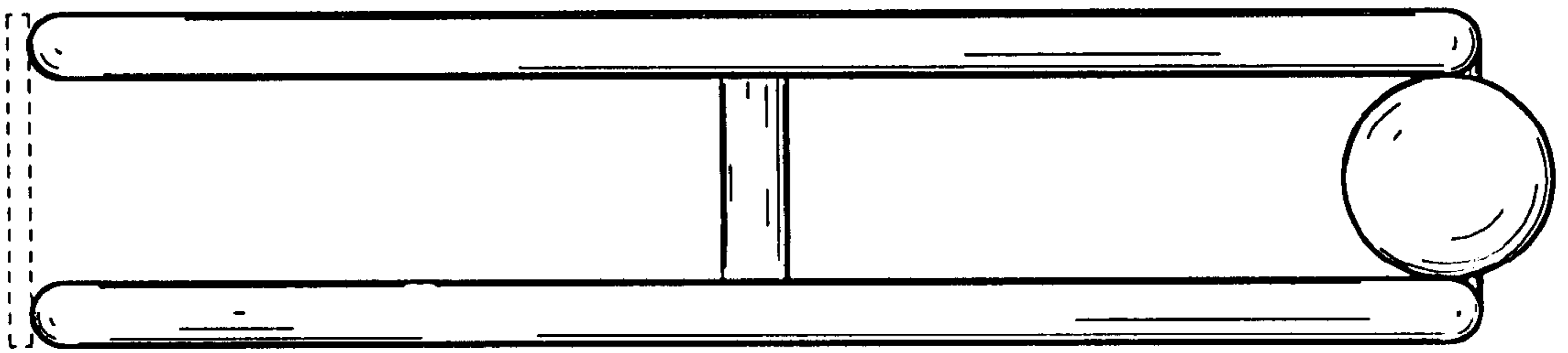


Fig.7