



US00D409027S

United States Patent [19]
Simhaee

[11] **Patent Number: Des. 409,027**

[45] **Date of Patent: ** May 4, 1999**

[54] **PLASTIC BAG DISPENSER**

[76] Inventor: **Ebrahim Simhaee**, 112 N. Maple Dr.,
Beverly Hills, Calif. 90210

[**] Term: **14 Years**

[21] Appl. No.: **29/084,670**

[22] Filed: **Mar. 5, 1998**

[51] **LOC (6) Cl.** **07-07**

[52] **U.S. Cl.** **D6/518**

[58] **Field of Search** D6/518-523; D19/86,
D19/89; 242/570, 590, 588, 588.3, 588.4,
598; 312/34.8

[56] **References Cited**

U.S. PATENT DOCUMENTS

D. 325,311 4/1992 Mygind D6/518

D. 364,766 12/1995 Crawford et al. D6/518
D. 383,934 9/1997 McNaughton D6/518

Primary Examiner—Brian N. Vinson
Attorney, Agent, or Firm—Darby&Darby

[57] **CLAIM**

I claim the ornamental design for a plastic bag dispenser, as shown.

DESCRIPTION

FIG. 1 is a perspective view showing the design of a plastic bag dispenser;
FIG. 2 is a front plan view of the plastic bag dispenser;
FIG. 3 is a side plan view of the plastic bag dispenser;
FIG. 4 is a rear plan view of the plastic bag dispenser;
FIG. 5 is a top plan view of the plastic bag dispenser; and,
FIG. 6 is a bottom plan view of the plastic bag dispenser.

1 Claim, 3 Drawing Sheets

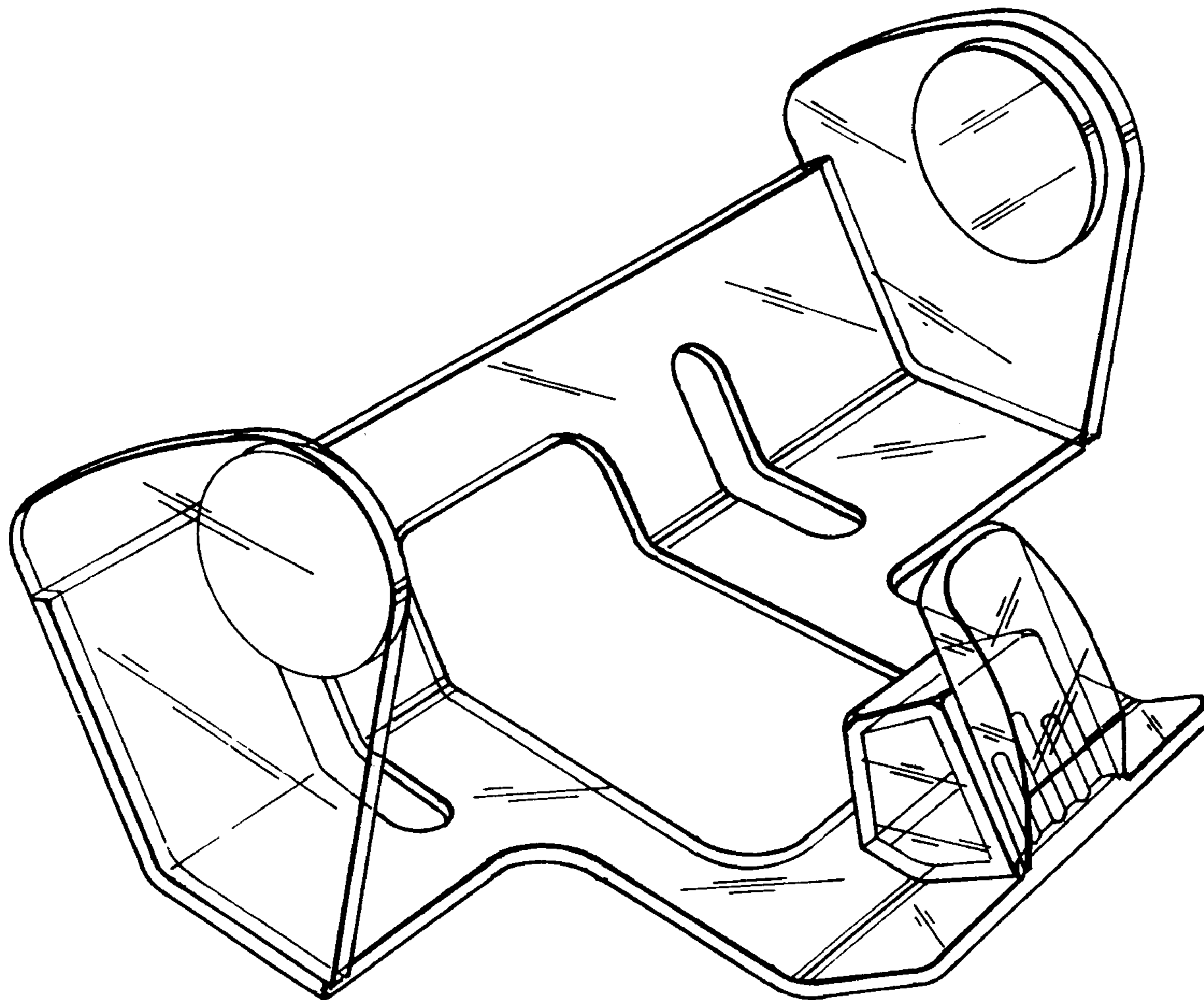


FIG. 1

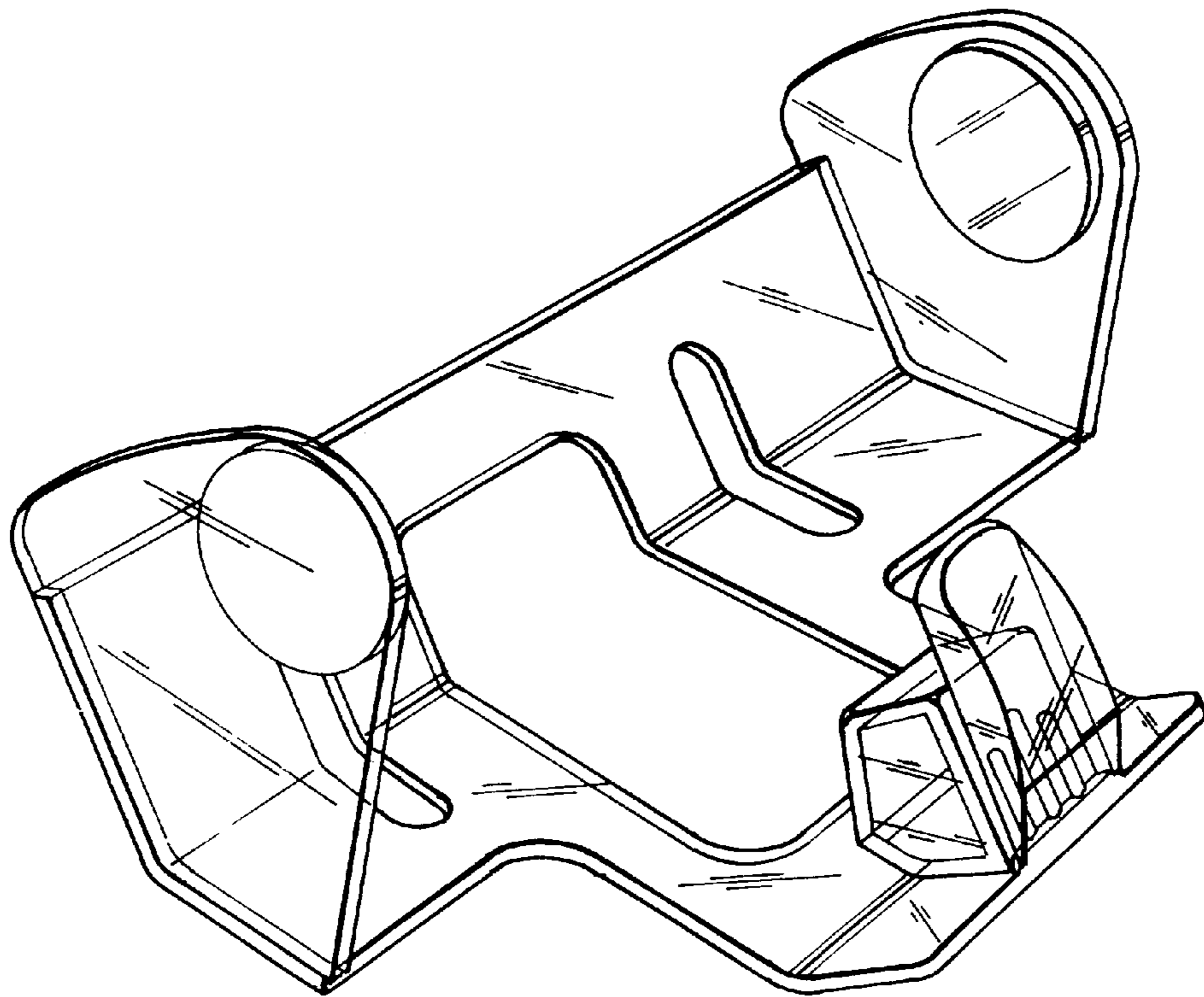


FIG. 2

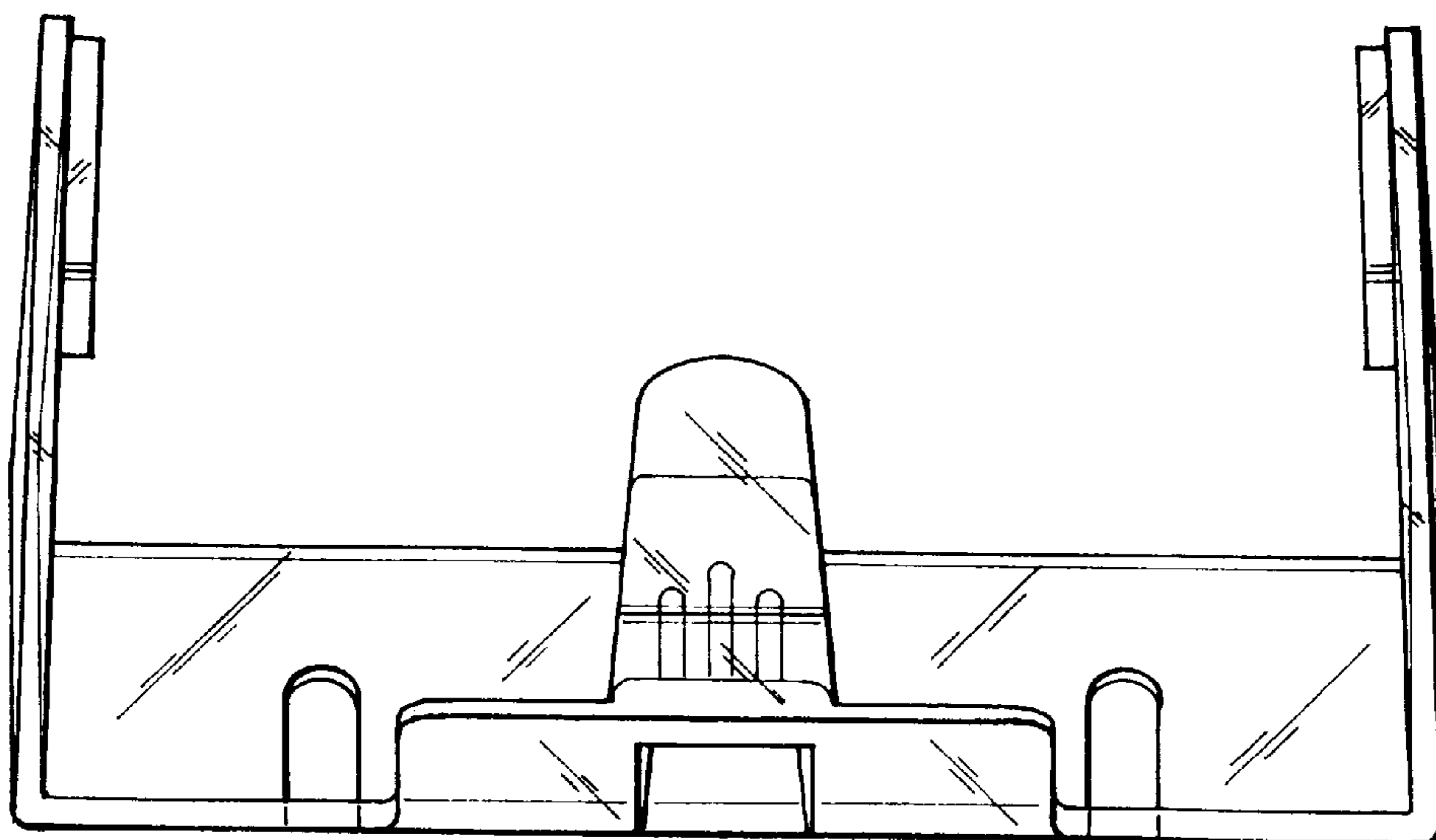


FIG. 3

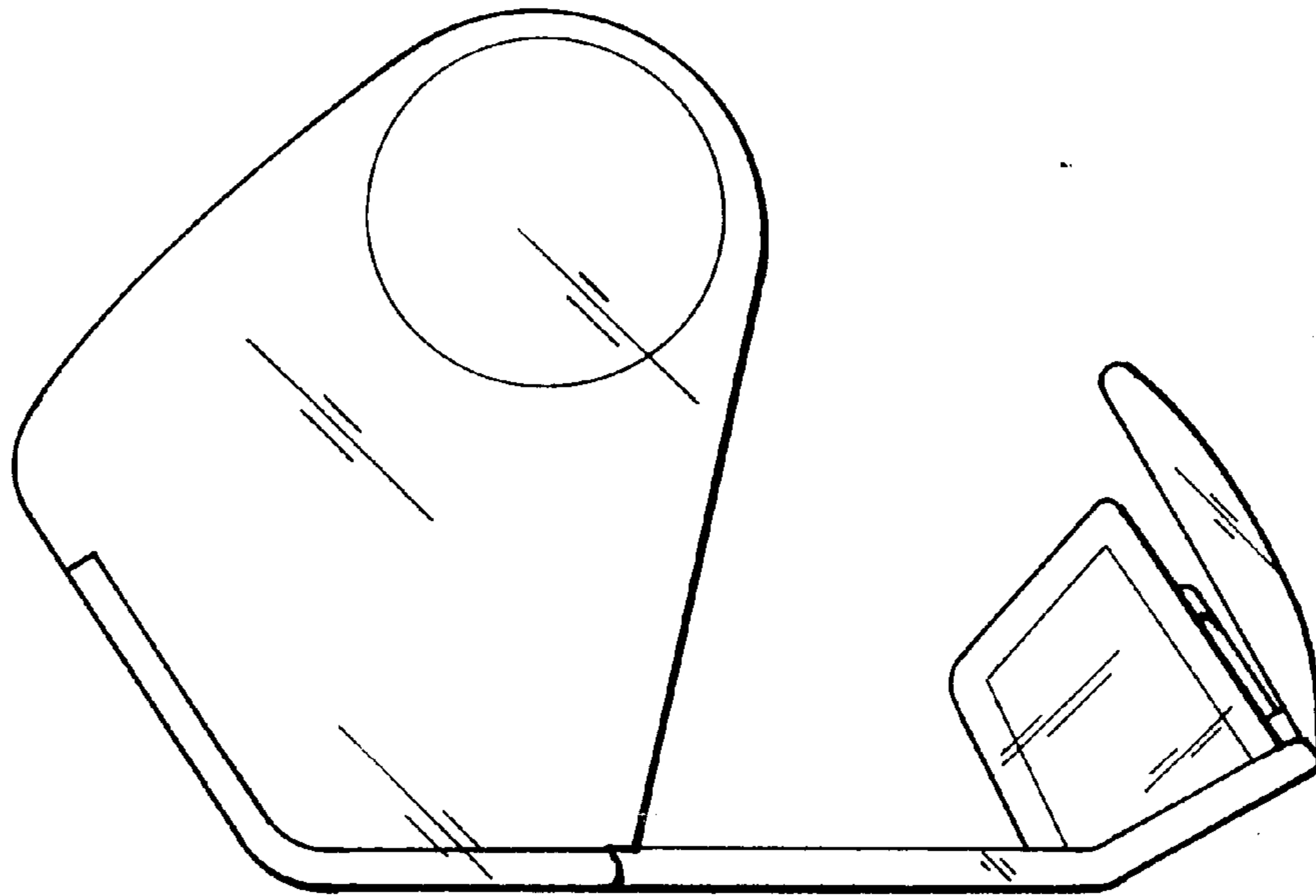


FIG. 4

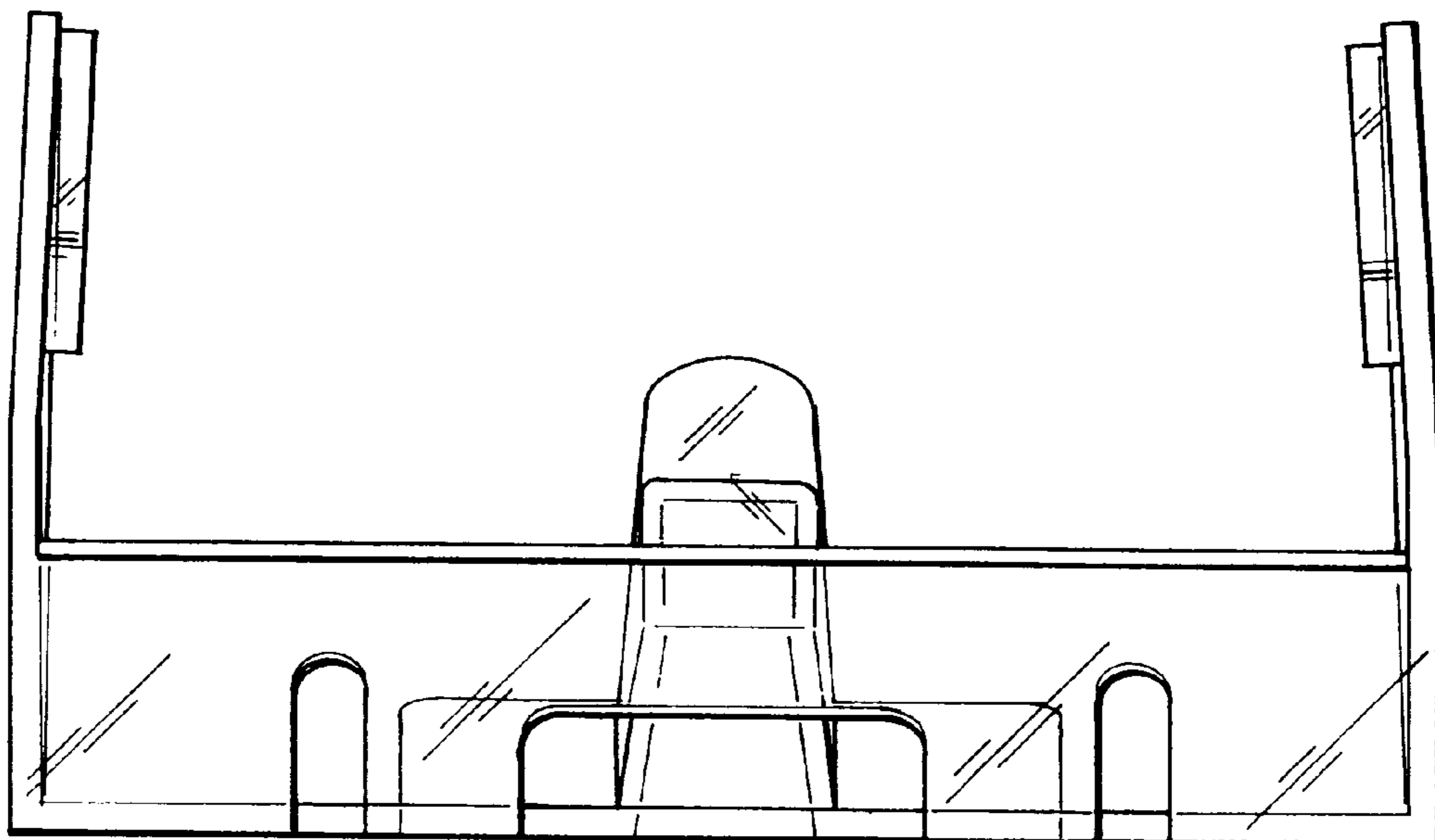


FIG. 5

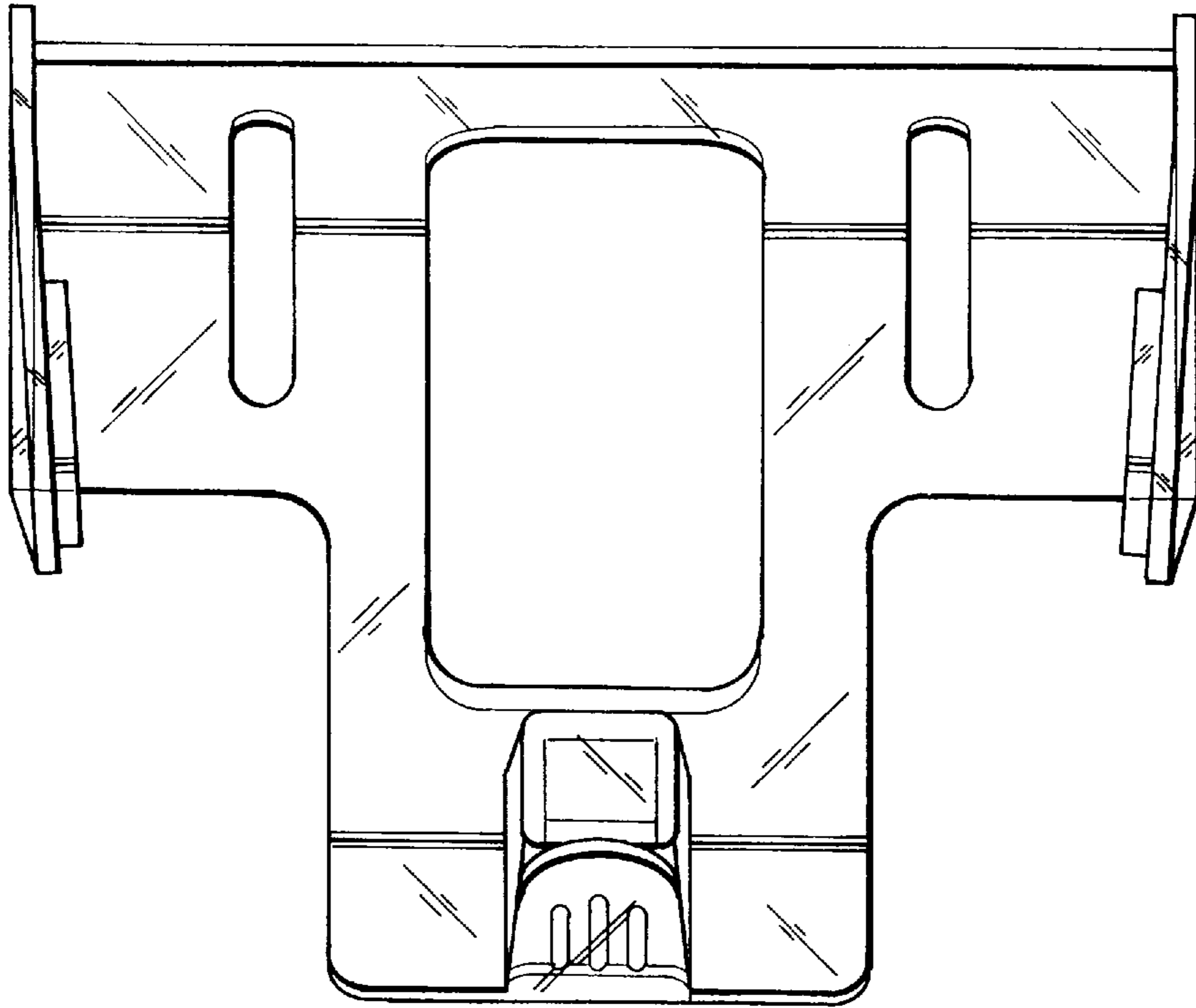


FIG. 6

