

US00D409022S

United States Patent [19]
Vanderwood et al.

[11] **Patent Number: Des. 409,022**
[45] **Date of Patent: ** May 4, 1999**

[54] **PEDESTAL BASED ARM CHAIR**
[75] Inventors: **Gary F. Vanderwood; Mark A. Brettschneider**, both of Monroe; **George A. Williams**, Lambertville, all of Mich.; **Donald A. George**, Cincinnati, Ohio

OfficeMax, Hon Executive Chair, undated.

Primary Examiner—Gary D. Watson
Attorney, Agent, or Firm—Harness, Dickey & Pierce, P.L.C.

[73] Assignee: **La-Z-Boy Incorporated**, Monroe, Mich.

[57] **CLAIM**

The ornamental design for a pedestal based arm chair, as shown and described.

[**] Term: **14 Years**

DESCRIPTION

[21] Appl. No.: **29/079,980**

FIG. 1 is a front perspective view of a pedestal based arm chair embodying our new design;

[22] Filed: **Nov. 25, 1997**

FIG. 2 is a side elevational view of our new design, the opposite side of which is a mirror image thereof;

[51] **LOC (6) Cl.** **06-06**

FIG. 3 is a front elevational view of the design;

[52] **U.S. Cl.** **D6/500; D6/366**

FIG. 4 is a rear elevational view of the design;

[58] **Field of Search** D6/334, 364, 365, D6/366, 367, 500, 501, 502; 297/411.2, 411.28

FIG. 5 is a top plan view of the design;

FIG. 6 is a front perspective view of a pedestal based arm chair showing a second embodiment of our design;

[56] **References Cited**

U.S. PATENT DOCUMENTS

- D. 318,184 7/1991 Muller-Deisig et al. .
- D. 318,763 8/1991 George et al. .
- D. 319,739 9/1991 Narita D6/366
- D. 338,566 8/1993 George et al. .
- D. 369,705 5/1996 George et al. .
- D. 372,799 8/1996 Orians et al. .
- D. 373,695 9/1996 Buffon D6/500
- D. 390,369 2/1998 Breen D6/366

FIG. 7 is a side elevational view of the second embodiment of the design, the opposite side of which is a mirror image thereof;

FIG. 8 is a front perspective view of a pedestal based arm chair showing a third embodiment of our design; and,

FIG. 9 is a side elevational view of the third embodiment of the design, the opposite side of which is a mirror image thereof.

OTHER PUBLICATIONS

Lizell catalog, p. 31, Madison High-Back and Mid-Back Chairs shown, ©1997.
OfficeMax, Hon Executive Chair—Leather, undated.

The broken line showings of a spider pedestal base and an adjustment mechanism are for environmental purposes only and form no part of the claimed design.

The sole difference between the embodiments being in the height of the backrest.

1 Claim, 4 Drawing Sheets

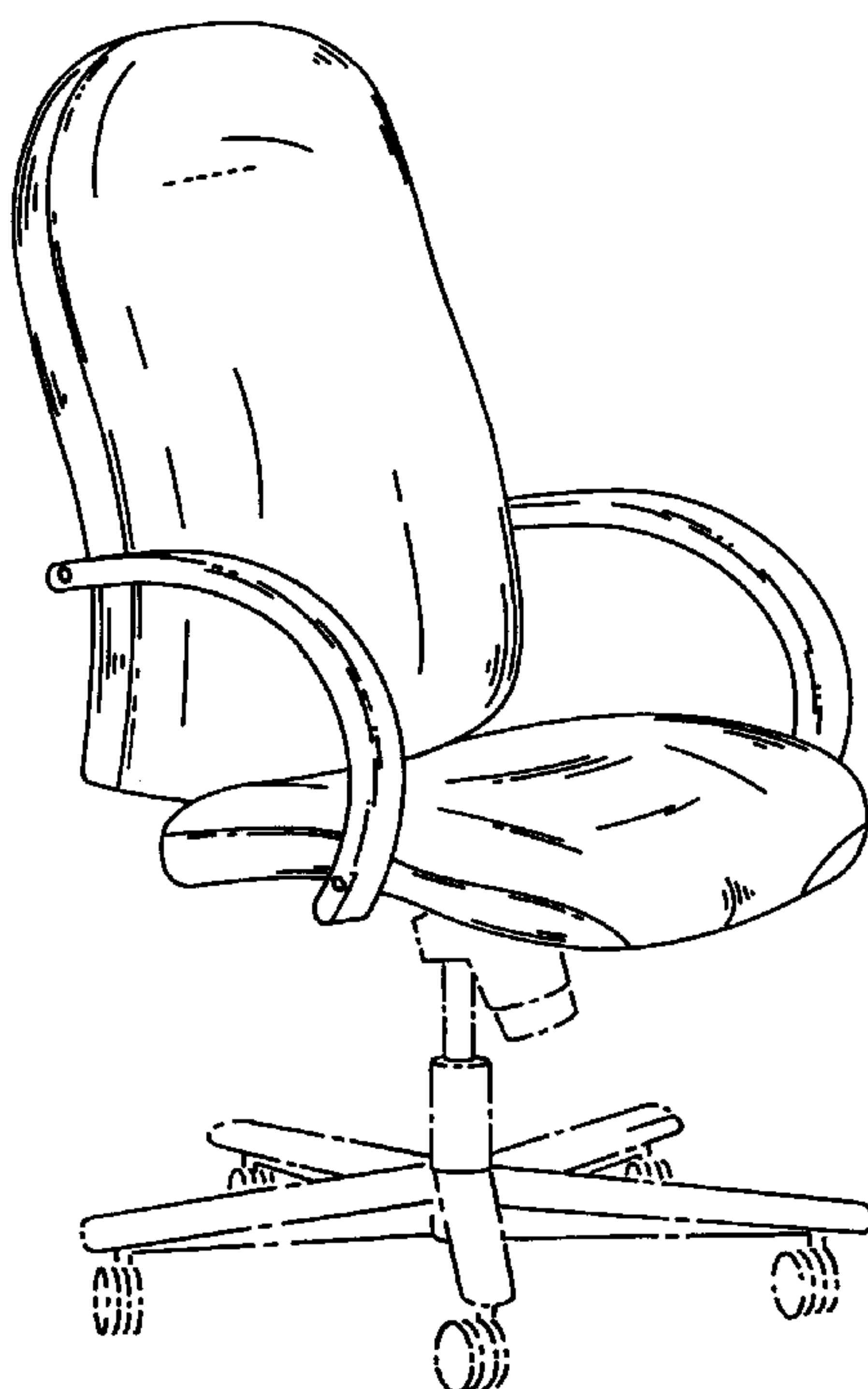


FIG 1

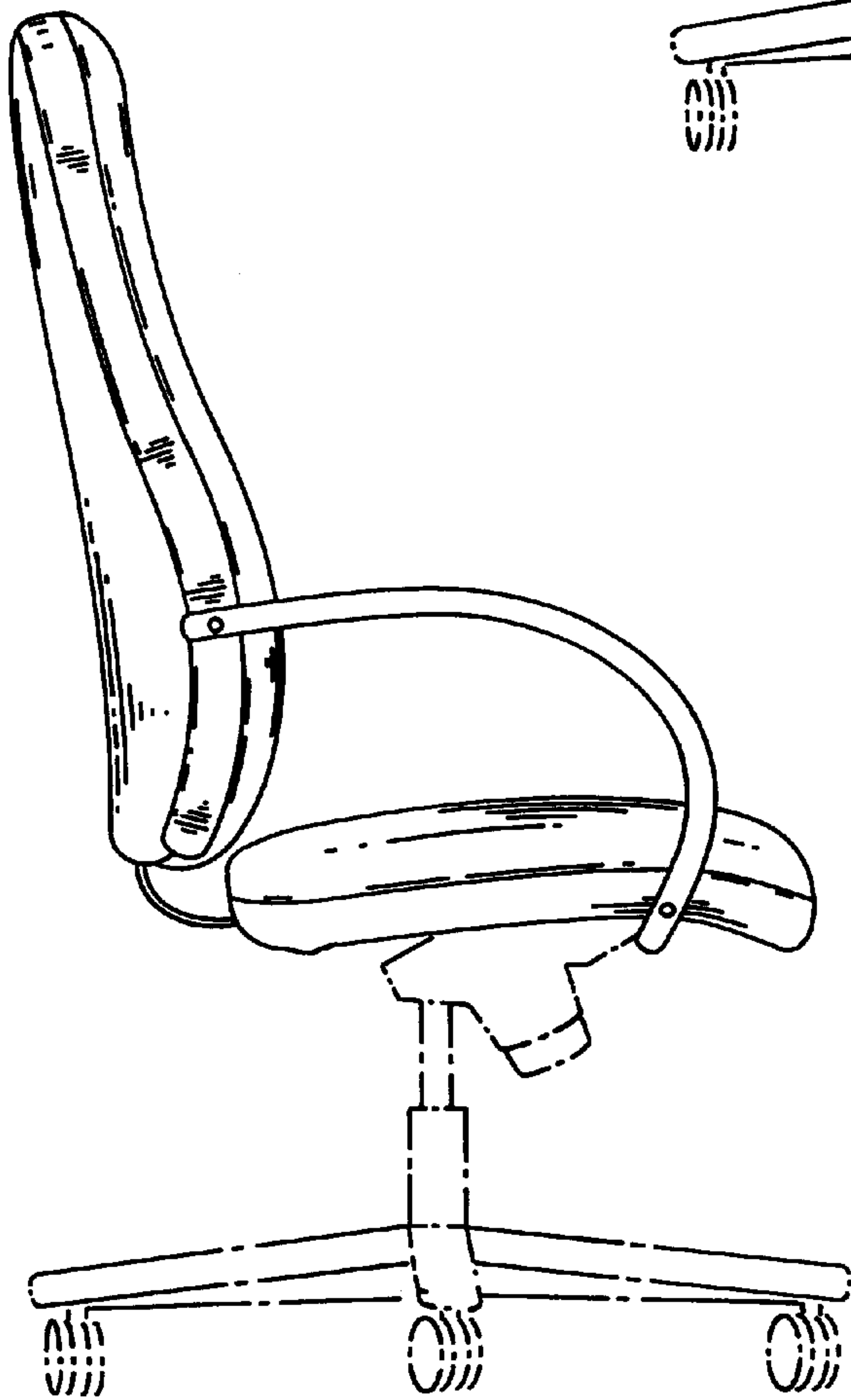
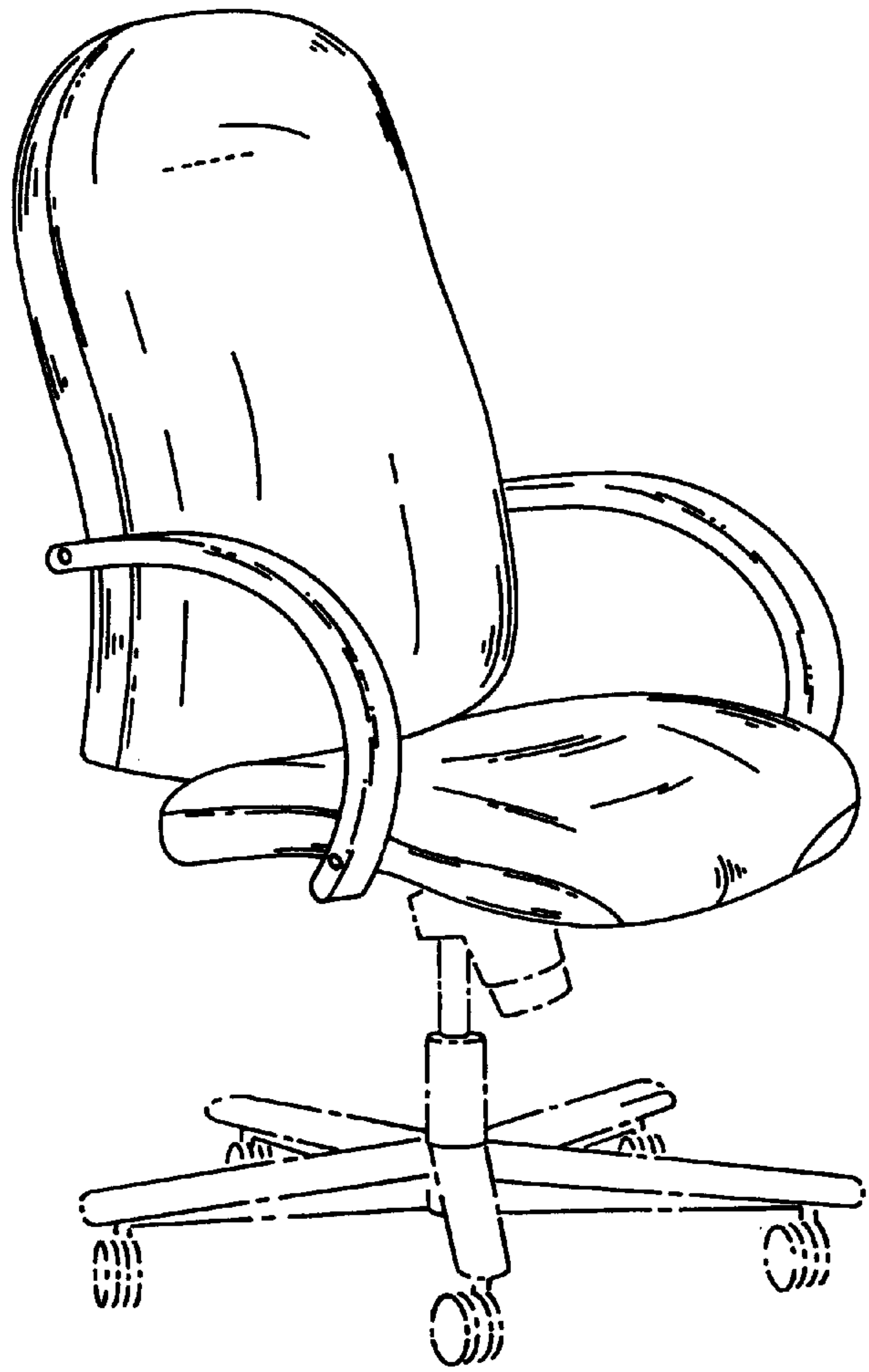


FIG 2

FIG 3

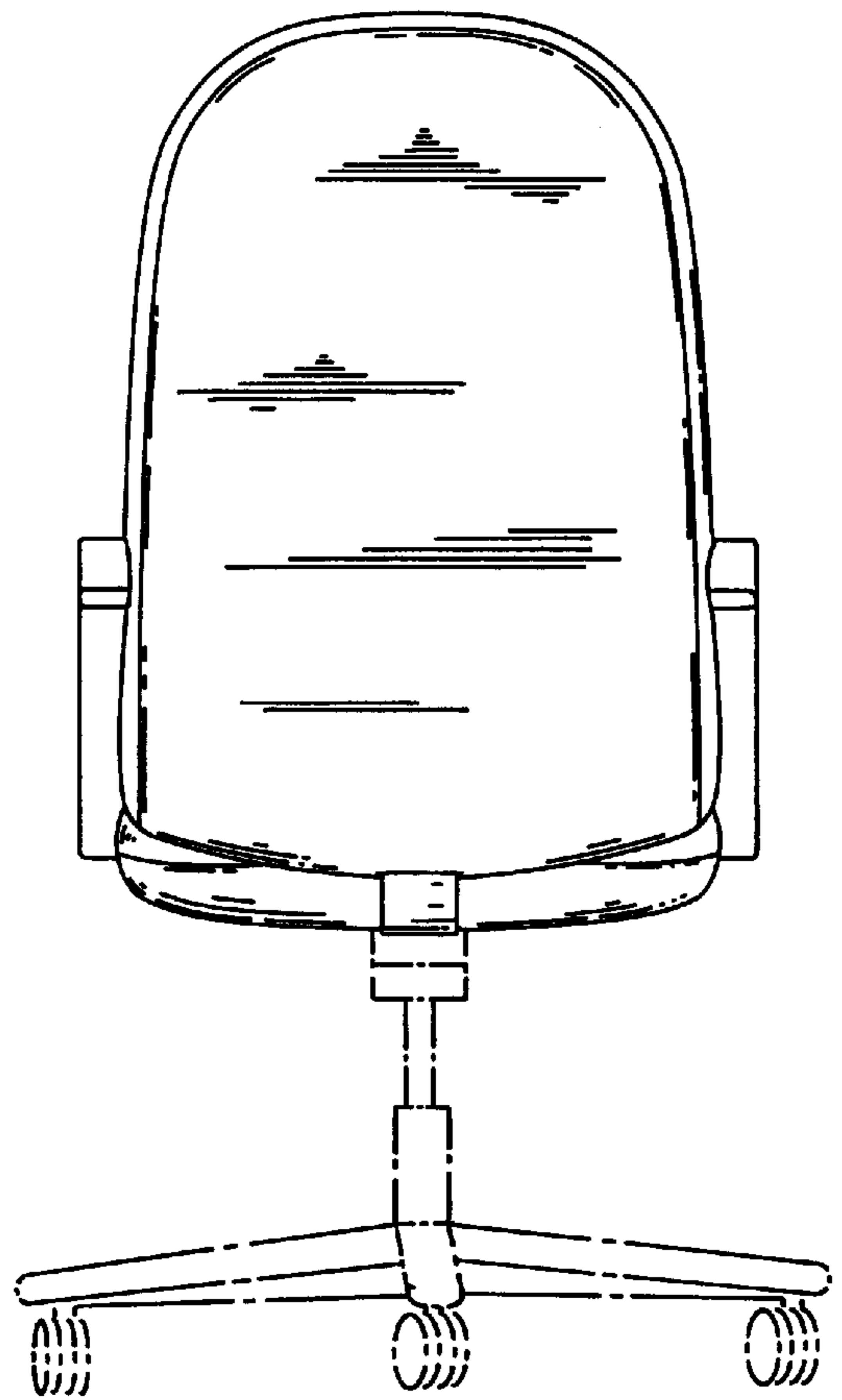
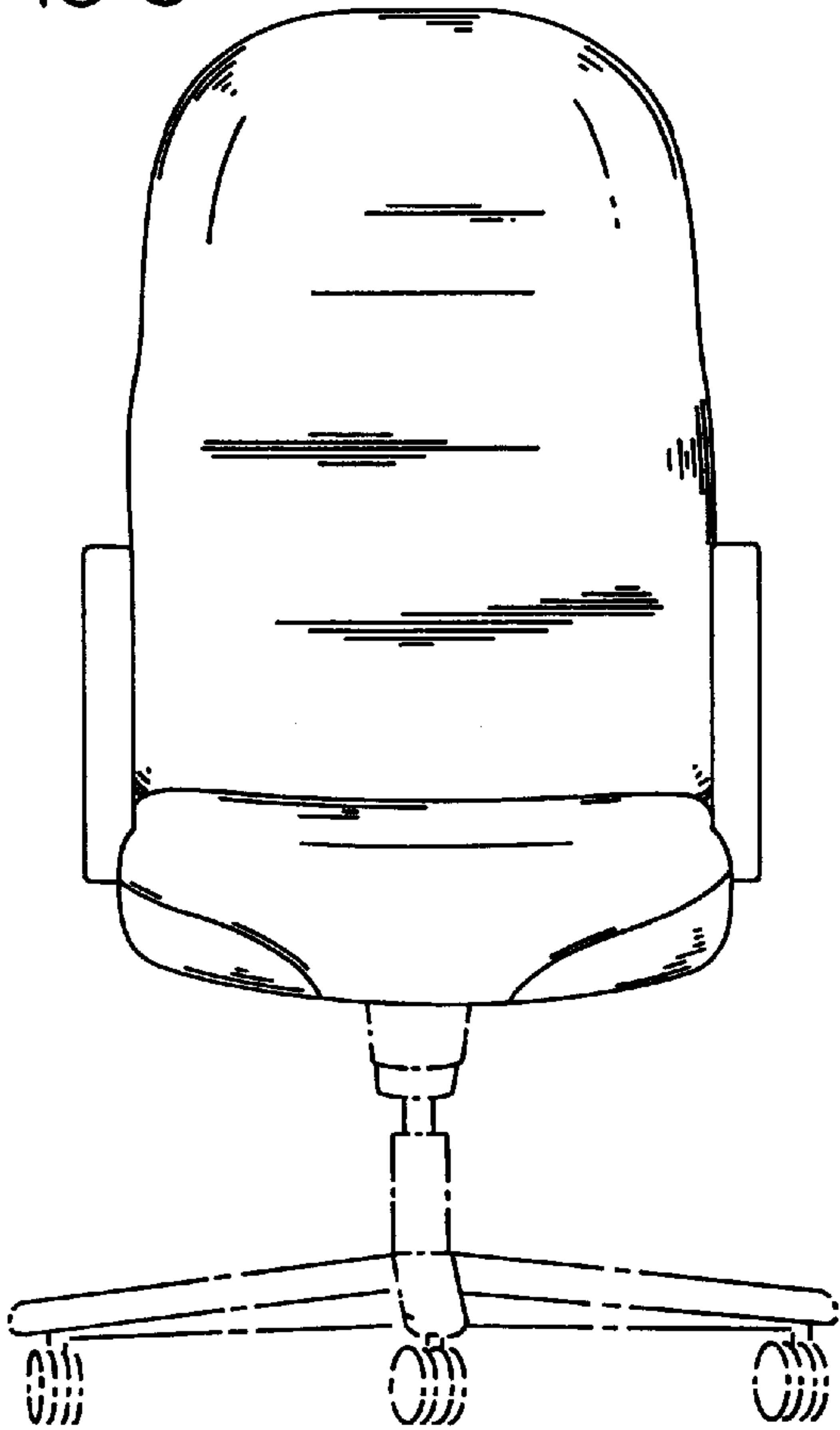


FIG 4

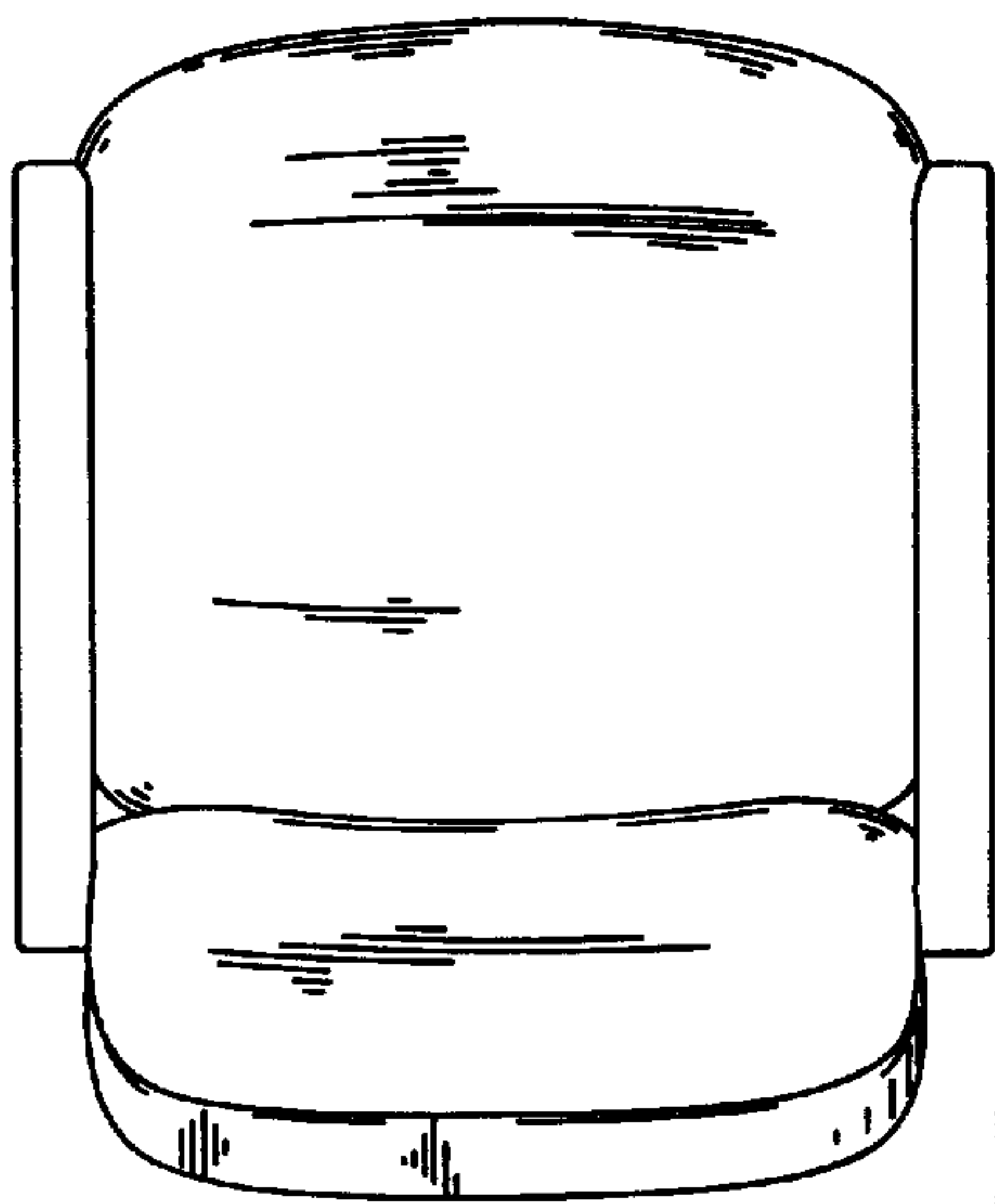


FIG 5

FIG 6

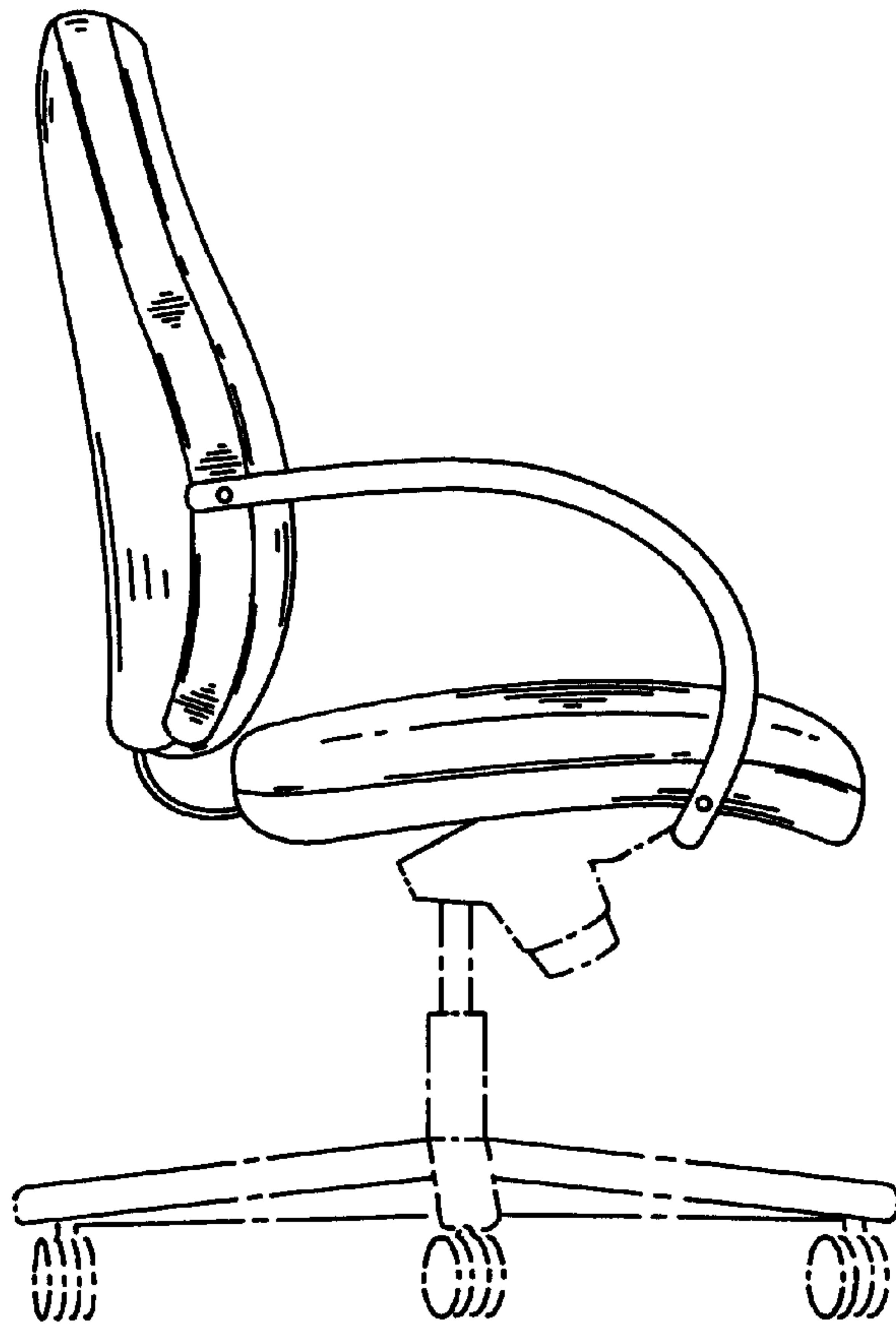
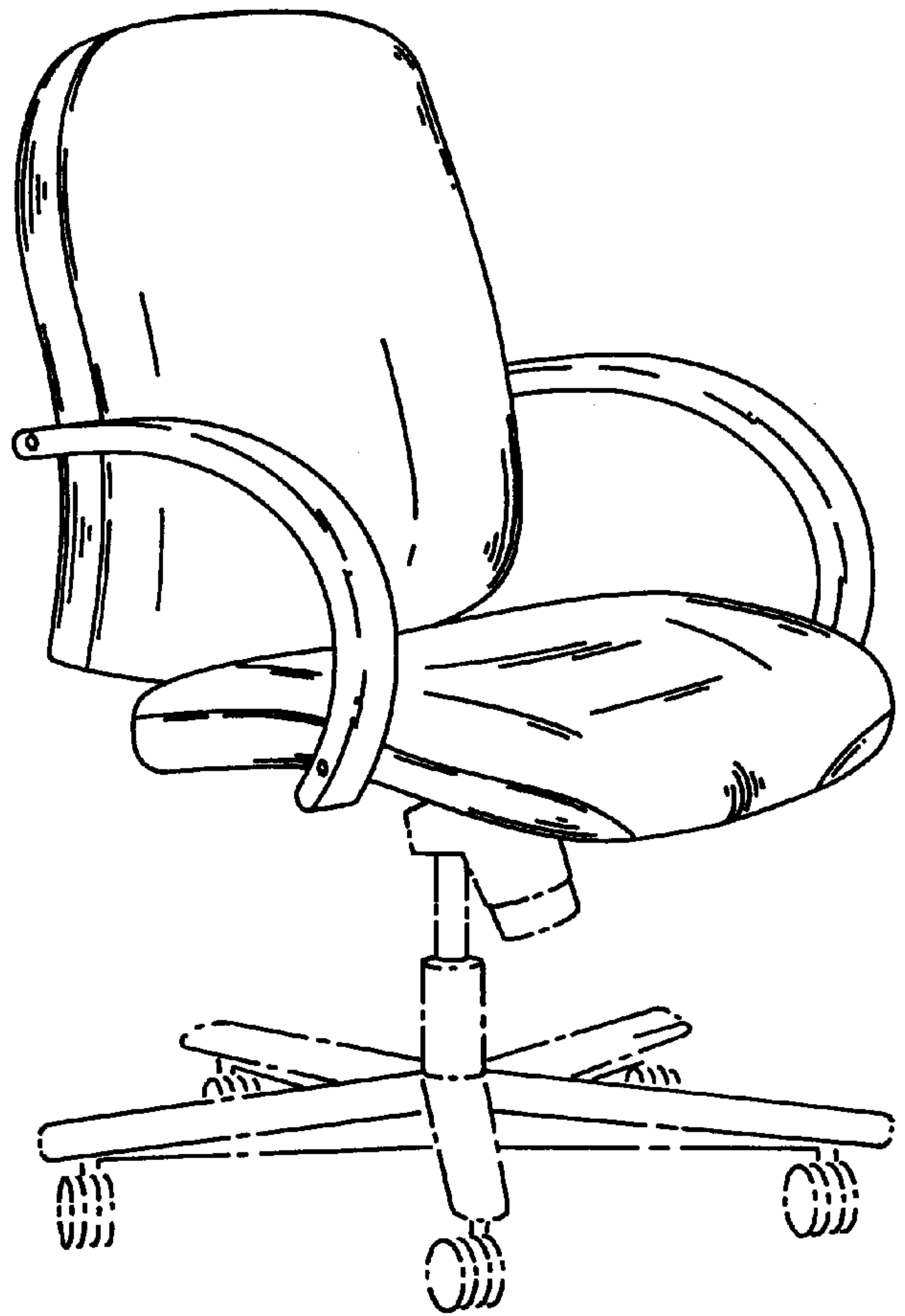


FIG 7

FIG 8

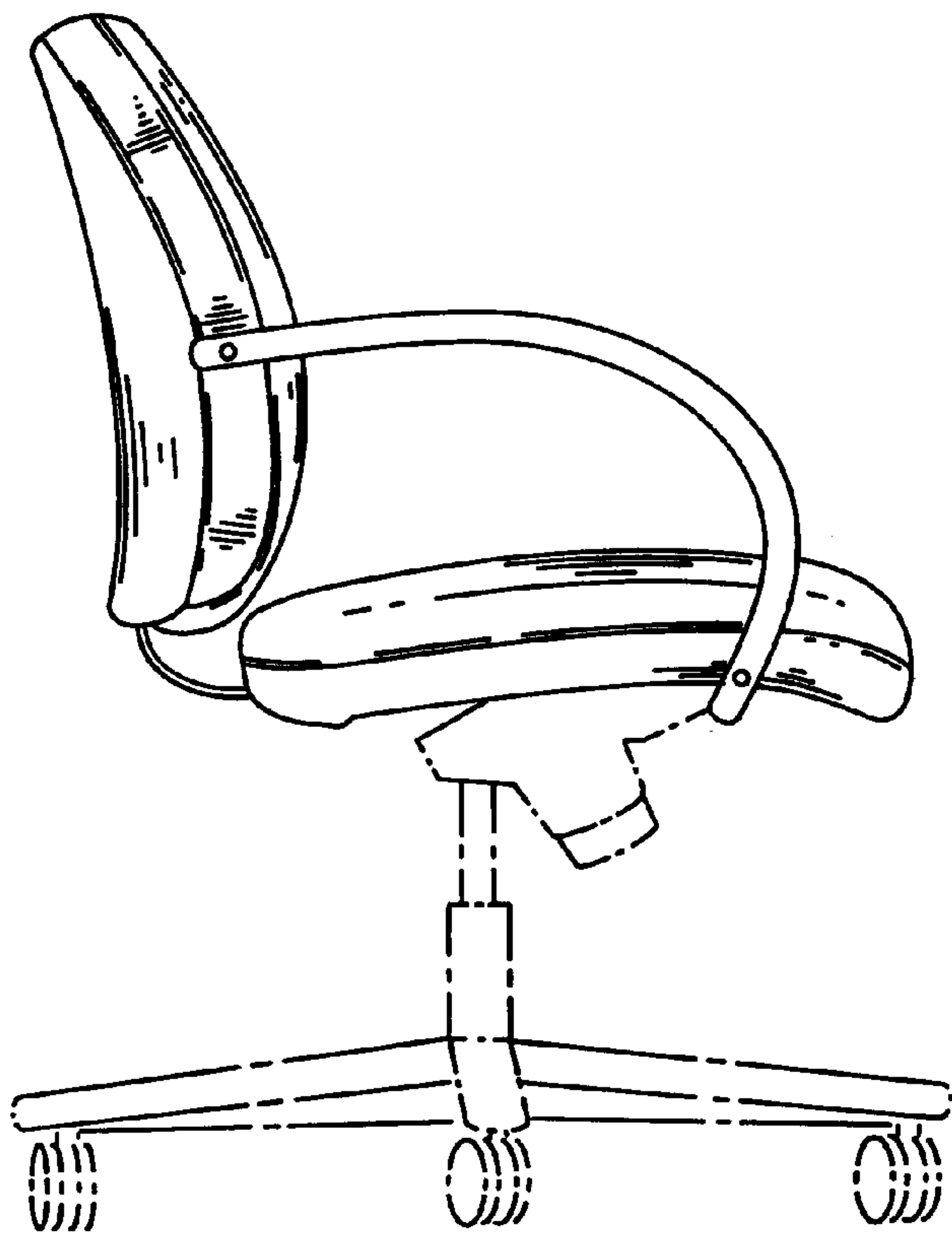
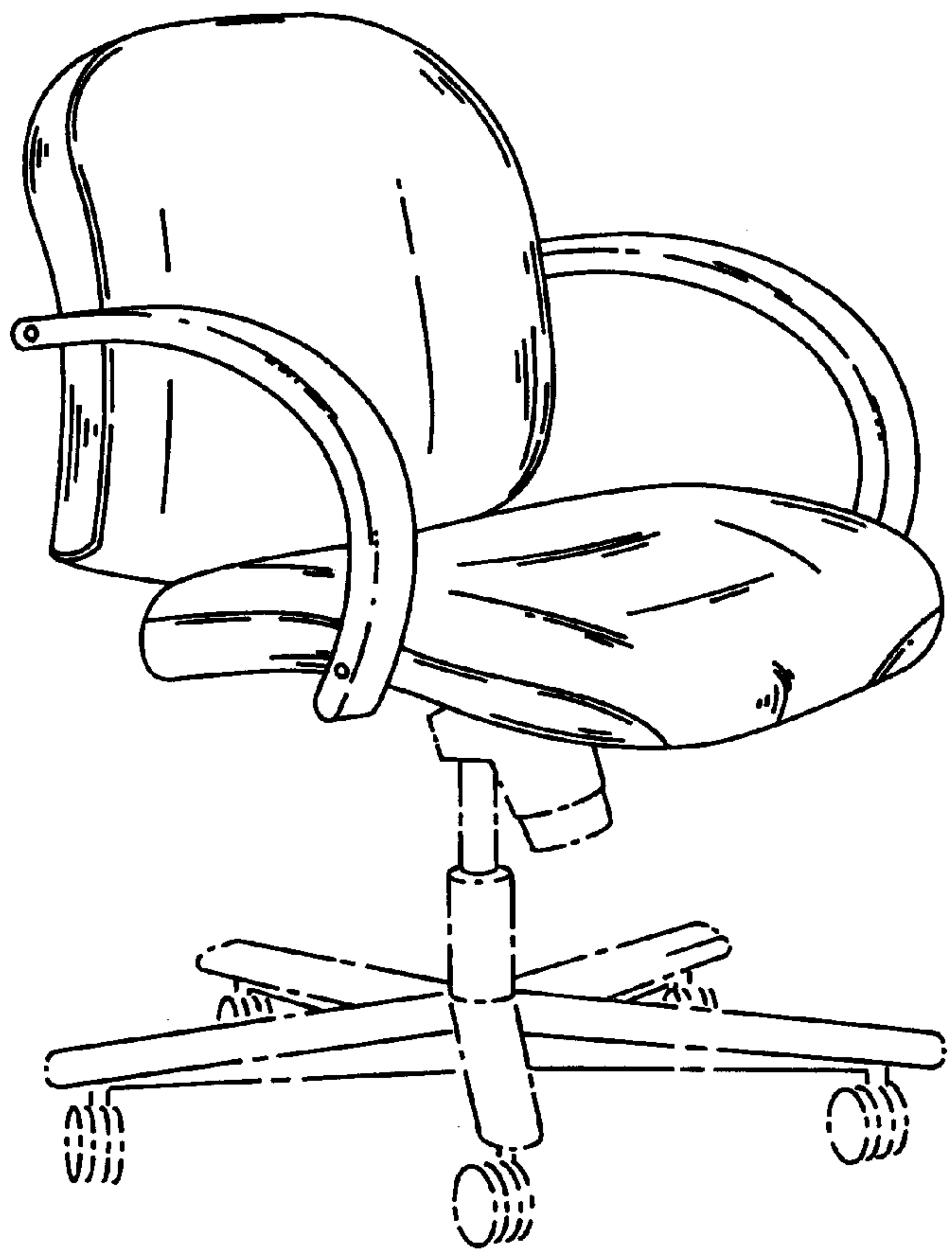


FIG 9