

US00D409020S

United States Patent [19]
Hardin

[11] **Patent Number: Des. 409,020**
[45] **Date of Patent: ** May 4, 1999**

[54] **COMPUTER KEYBOARD STAND WITH ARM SUPPORT**

[76] Inventor: **Justus Hardin**, 713 N. Main St., Fort Worth, Tex. 76106

[**] Term: **14 Years**

[21] Appl. No.: **29/084,090**

[22] Filed: **Feb. 24, 1998**

[51] **LOC (6) Cl.** **06-03**

[52] **U.S. Cl.** **D6/480; D6/429; D6/474; D6/477**

[58] **Field of Search** D6/480-489, 495-497, D6/499, 429, 430, 477, 464, 422, 423, 474; 108/153, 153.1, 156, 157.1, 161, 92, 96, 144.11; 248/188, 188.1, 188.8

[56] **References Cited**

U.S. PATENT DOCUMENTS

D. 274,586	7/1984	Cope et al.	D6/420
D. 283,094	3/1986	Strand et al.	D6/478
D. 318,966	8/1991	Schroff et al.	D6/474
D. 352,406	11/1994	Scheffers	D6/480
D. 372,817	8/1996	Stevens	D6/474

5,758,586 6/1998 Kieser et al. 108/144.11

Primary Examiner—Janice E. Seeger
Attorney, Agent, or Firm—Charles D. Gunter, Jr.

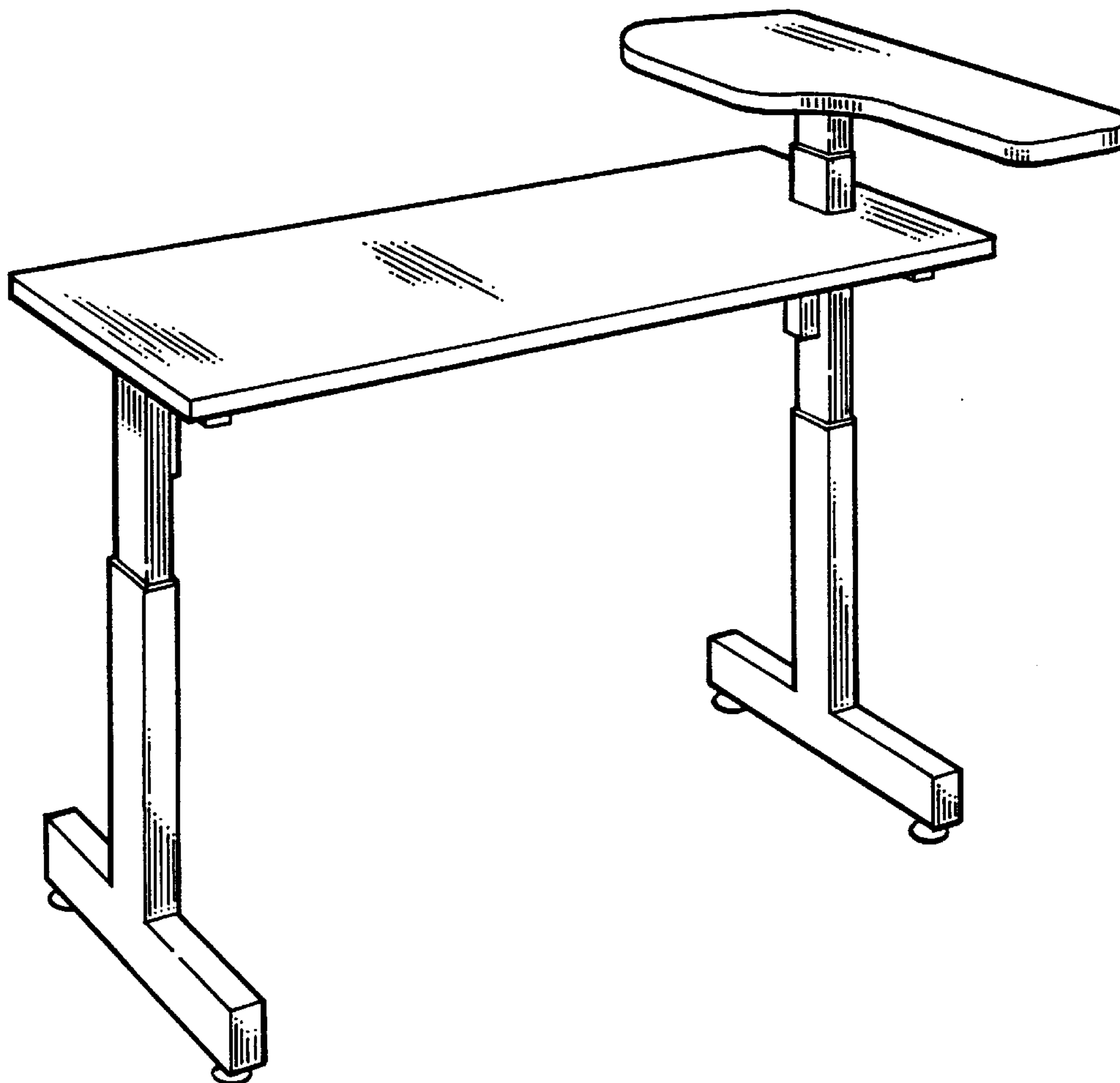
[57] **CLAIM**

The ornamental design for a computer keyboard stand with arm support, as shown and described.

DESCRIPTION

FIG. 1 is a front, perspective view of the computer keyboard stand with arm support of the invention;
FIG. 2 is a top view of the computer keyboard stand with arm support of FIG. 1;
FIG. 3 is a bottom view of the computer keyboard stand with arm support FIG. 1;
FIG. 4 is a back plan view of the computer keyboard stand with arm support of the invention;
FIG. 5 is a front, plan view of the computer keyboard stand with arm support of the invention;
FIG. 6 is a right side view of the computer keyboard stand with arm support of FIG. 5; and,
FIG. 7 is a left side view of the computer keyboard stand with arm support of FIG. 5.

1 Claim, 4 Drawing Sheets



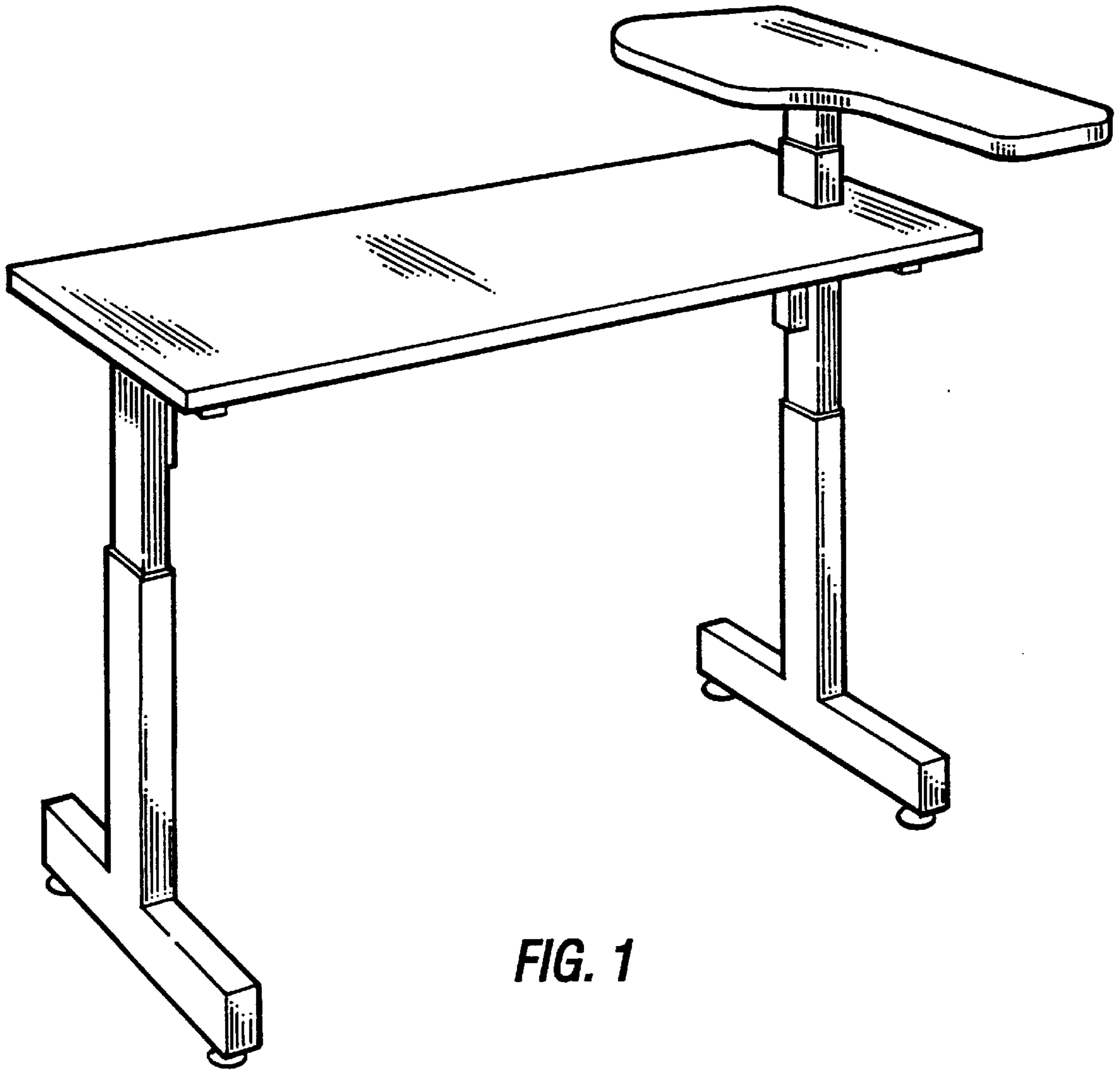


FIG. 1

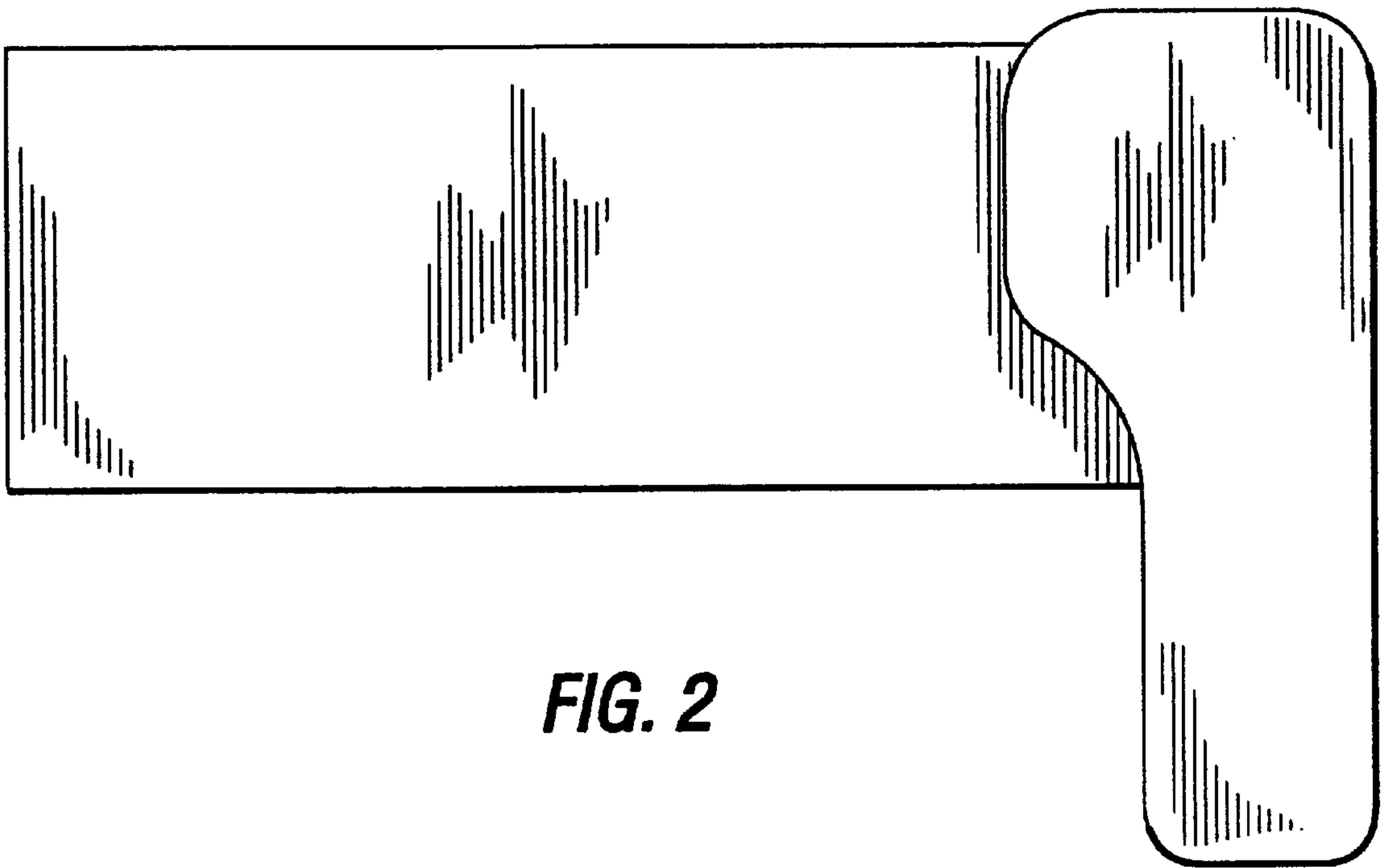


FIG. 2

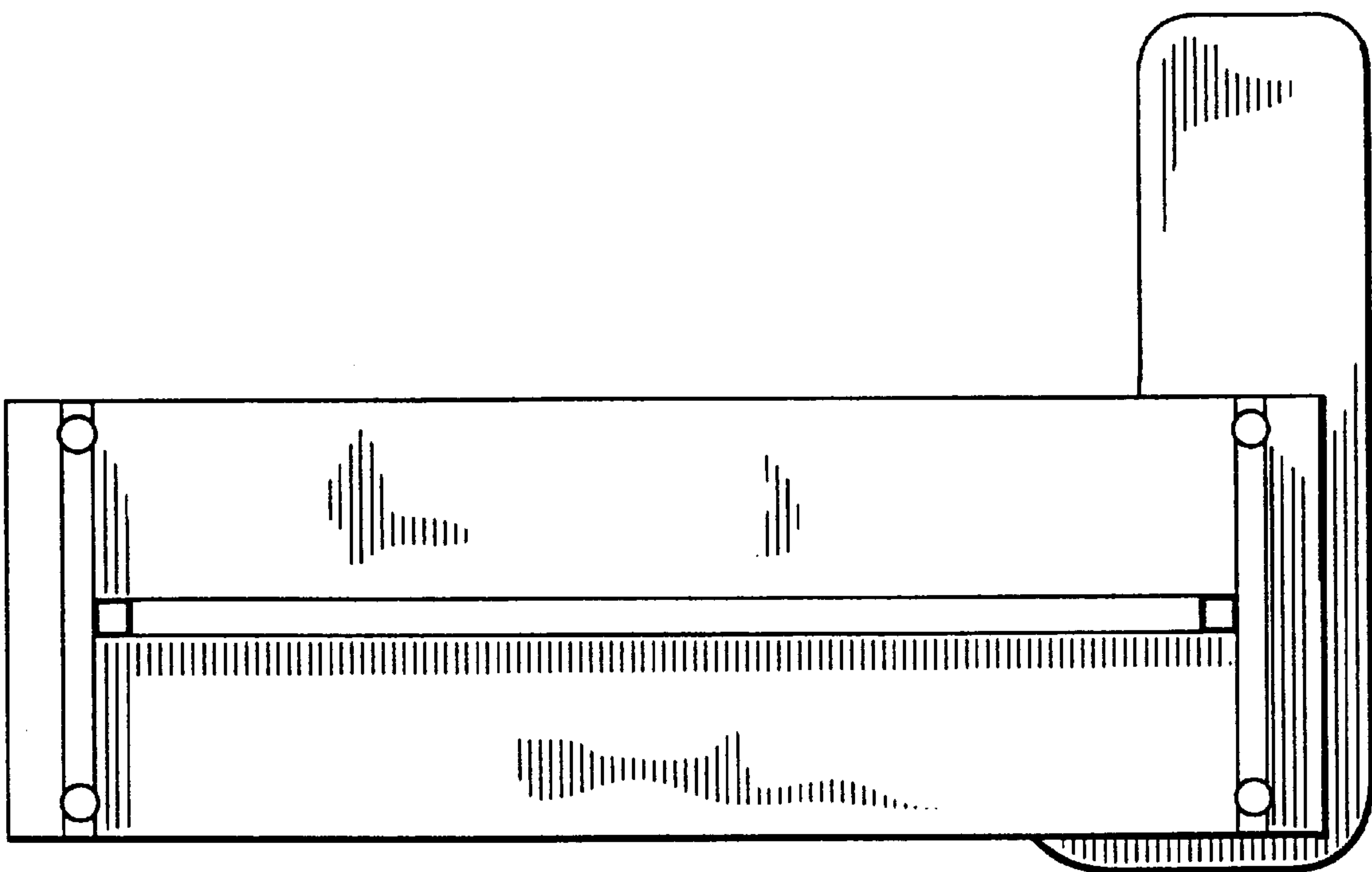


FIG. 3

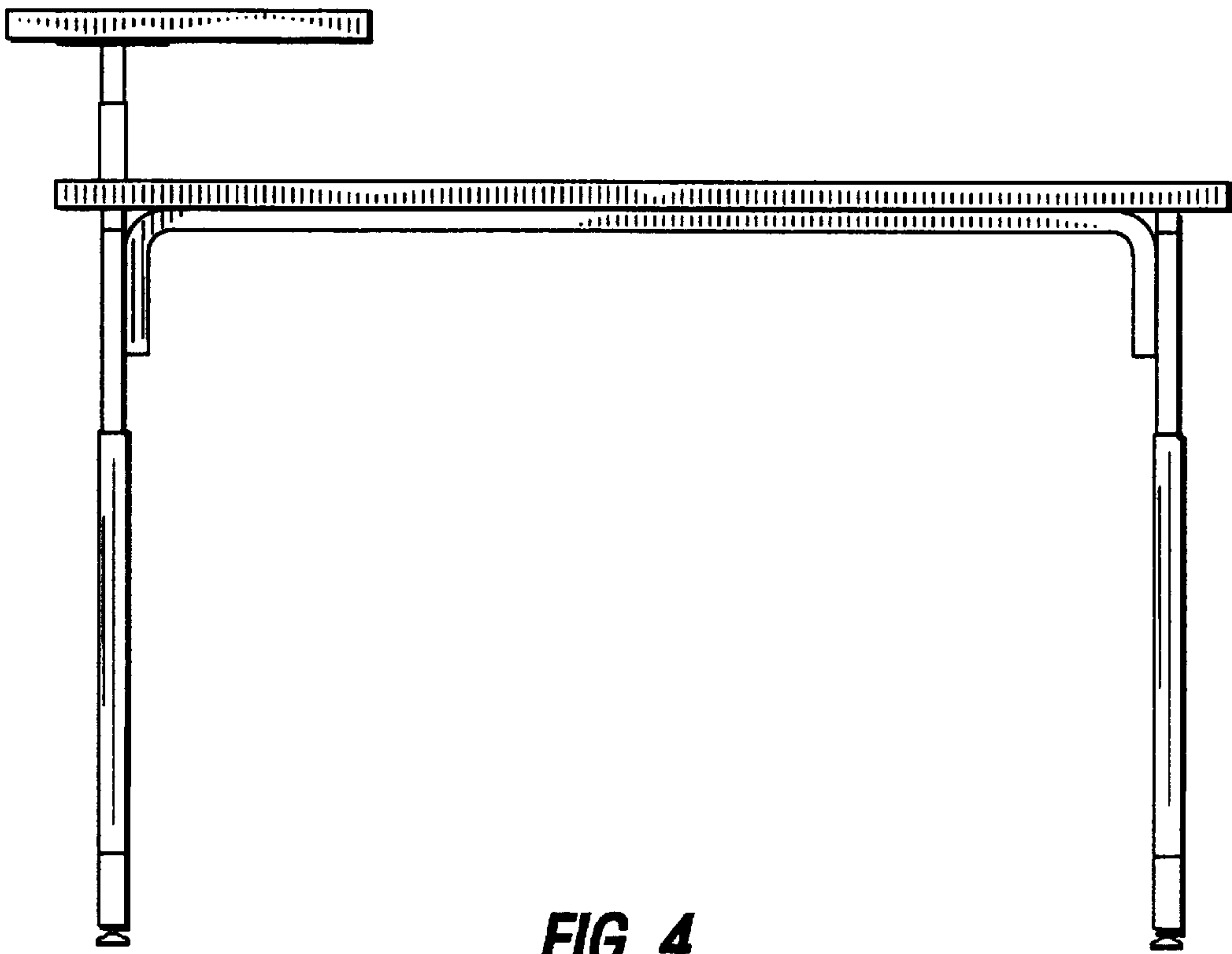


FIG. 4

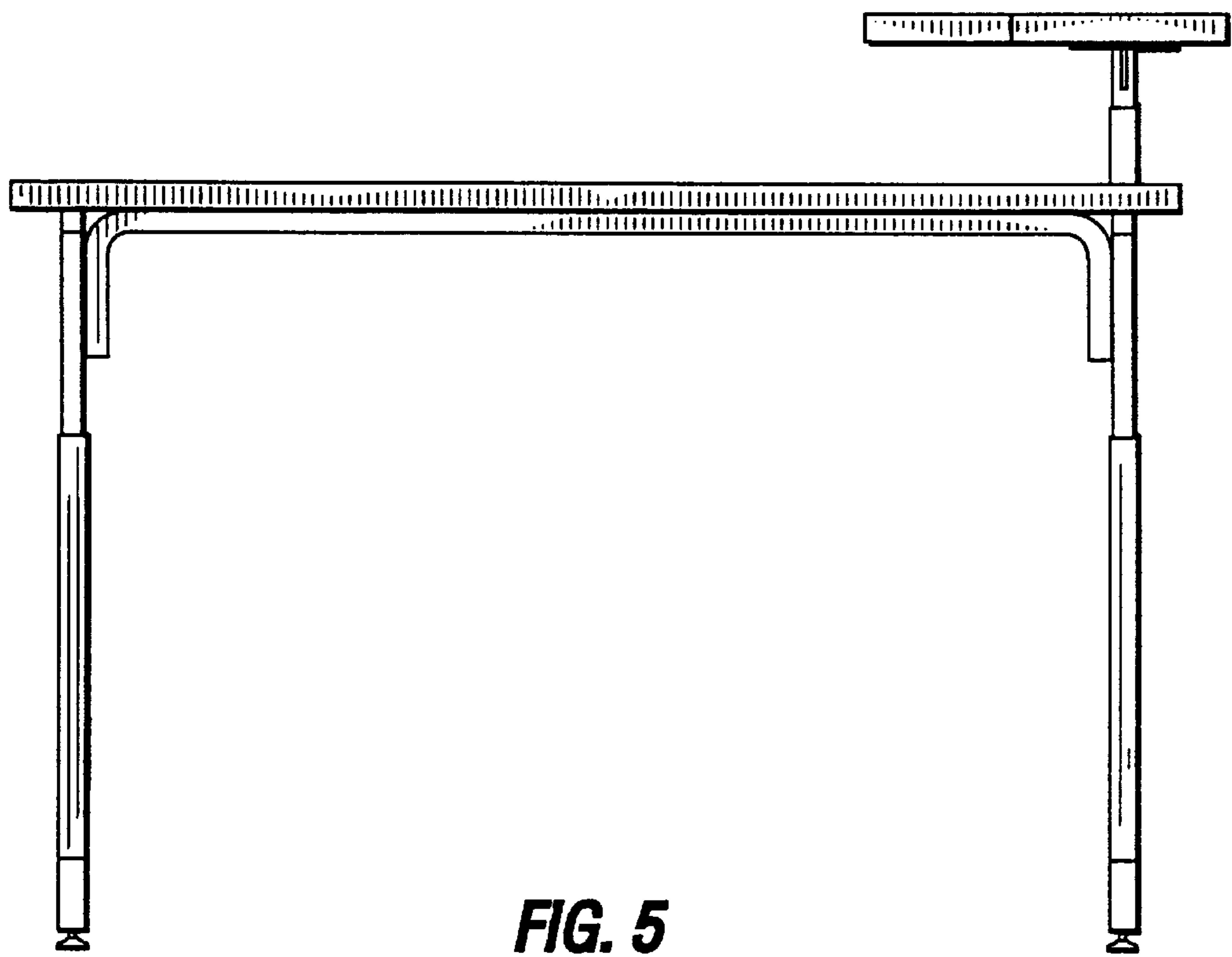


FIG. 5

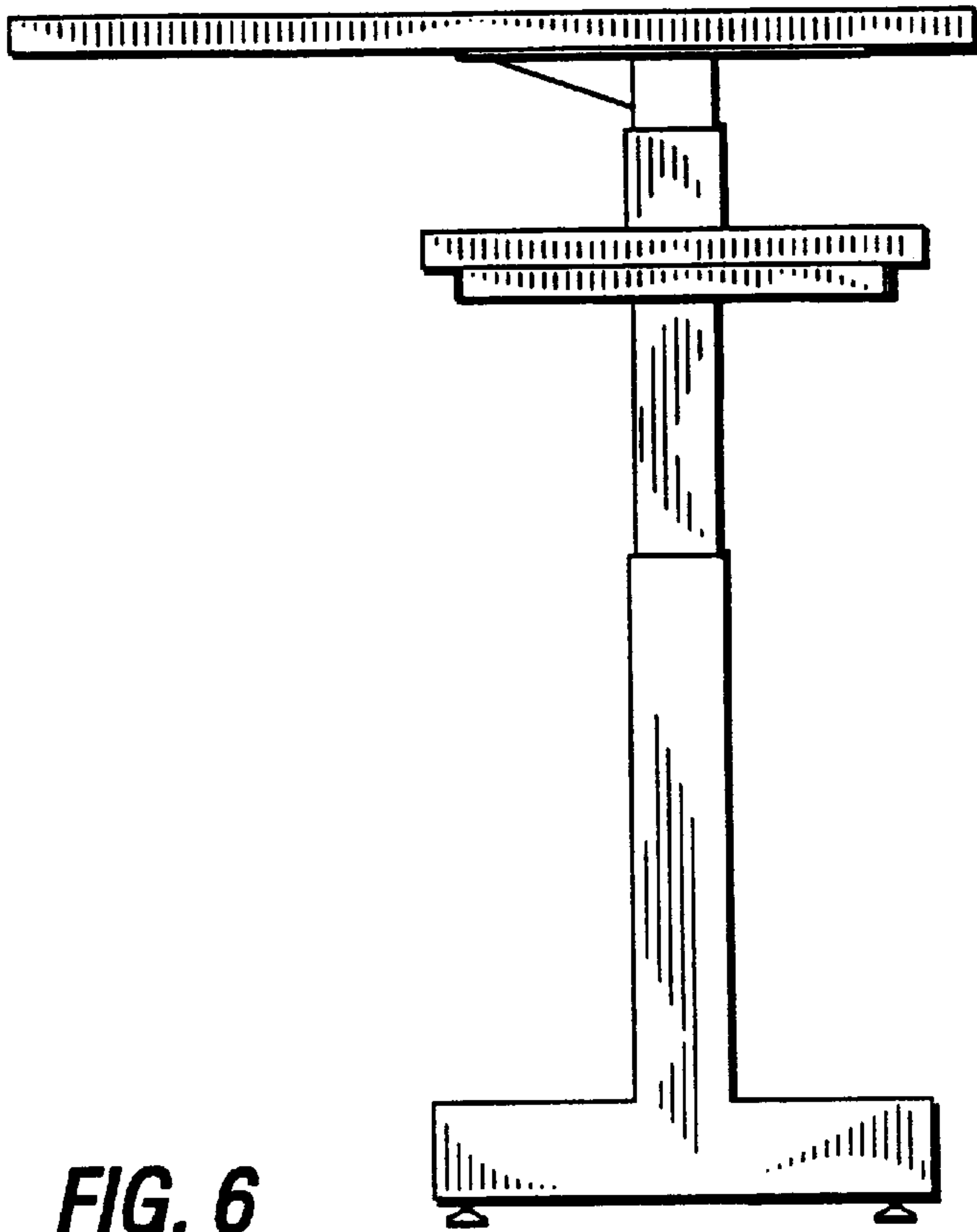


FIG. 6

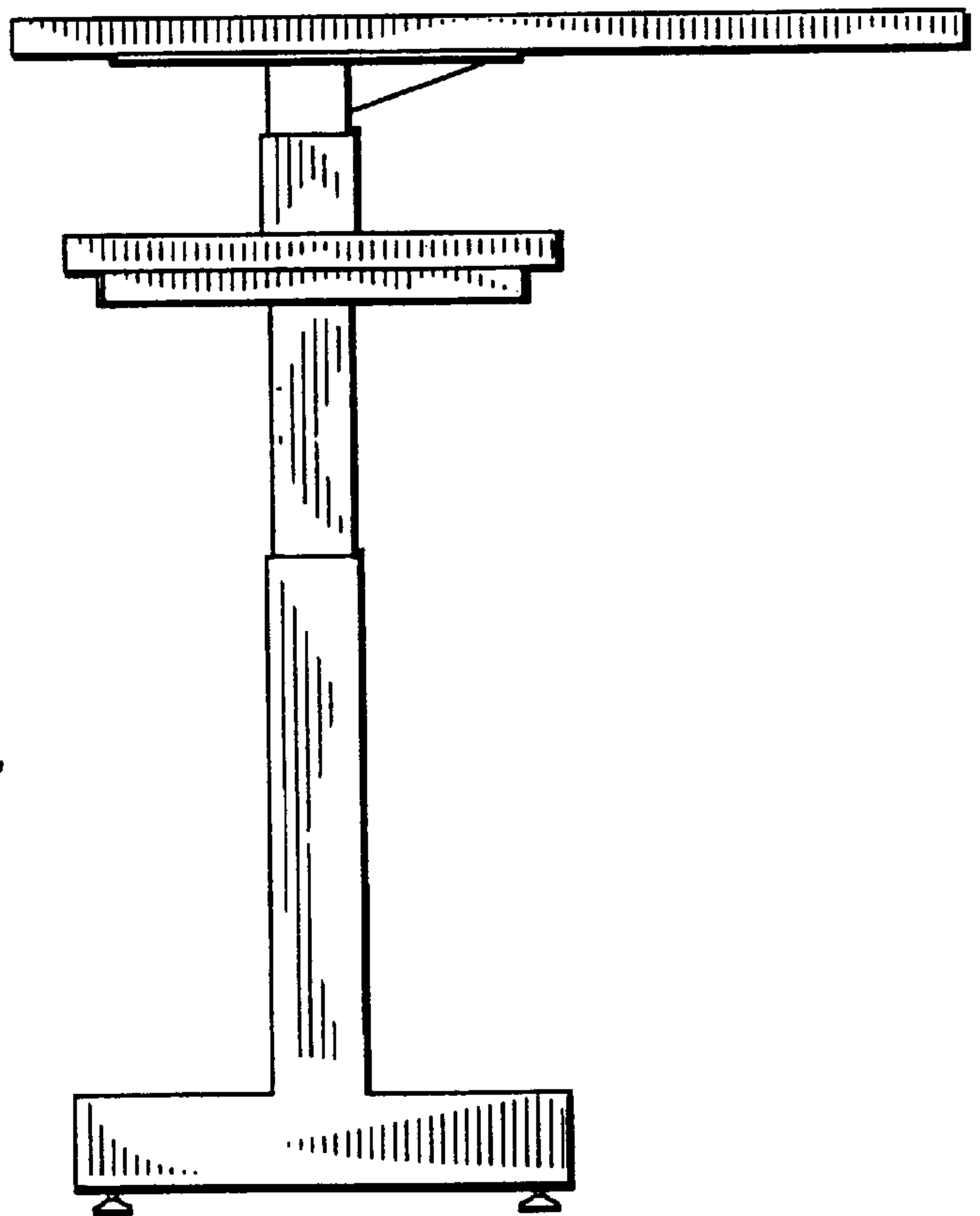


FIG. 7