



US00D409018S

United States Patent [19]
Deuschle

[11] **Patent Number: Des. 409,018**

[45] **Date of Patent: ** May 4, 1999**

[54] **MOUNTING STAND FOR A DIGITAL INPUT PAD**

[76] Inventor: **Basil C. Deuschle**, 17885 Sky Park Cir., Irvine, Calif. 92714

[**] Term: **14 Years**

[21] Appl. No.: **29/074,141**

[22] Filed: **Jul. 25, 1997**

[51] **LOC (6) Cl.** **06-04**

[52] **U.S. Cl.** **D6/466; D8/354; D14/217**

[58] **Field of Search** D8/349, 354, 380, D8/381, 387; D6/449, 466; D14/217, 224, 229, 253, 251, 259, 299; 248/300, 27.1

[56] **References Cited**

U.S. PATENT DOCUMENTS

D. 128,264	7/1941	Rodriguez	D8/354
D. 244,238	5/1977	Hill et al.	D6/466
D. 309,307	7/1990	Sigurdson	D14/253 X
D. 314,501	2/1991	Pagano	D8/381 X
D. 323,085	1/1992	Konkel	D6/466
D. 363,319	10/1995	Karnaze	D6/449

OTHER PUBLICATIONS

VeriFone Mounting Products , undated (cited by the applicant).

Amvox Equipment company brochure, Model No. AM2100-Countertop-v, undated (cited by the applicant).

Checkmate Electronics brochure, p. 7, (cited by the applicant), Dec. 1994.

Praybourne Products Catalog, Computer stands (two pages) undated, (cited by the applicant).

Amvox Equipment Company brochure, model No. AM2100 Tilt-Swivel, undated, (cited by the applicant).

Amvox Equipment Company brochure, model No. 3100-WEDGE, undated, (cited by the applicant).

Nash Finch Company brochure, model No. AM490-Flat and AM490-Countertop; ABS2001-Countertop and 2020 Holster, undated (cited by the applicant).

Amvox Equipment Company brochure, model No. AM3000-Countertop-Mount, undated, (cited by the applicant).

Primary Examiner—Ted Shooman

Assistant Examiner—Nanda Bondade

[57] **CLAIM**

The ornamental design for a mounting stand for a digital input pad, as shown and described.

DESCRIPTION

FIG. 1 is a perspective view of a mounting stand for a digital input pad showing my new design, the broken lines showing of the digital input pad is for illustrative purposes only and forms no part of the claimed design;

FIG. 2 is a rear elevation view thereof;

FIG. 3 is a front elevation view thereof;

FIG. 4 is a left side elevation view thereof, and being a mirror image view of the right hand side;

FIG. 5 is a top plan view thereof; and,

FIG. 6 is a bottom plan view thereof.

1 Claim, 1 Drawing Sheet

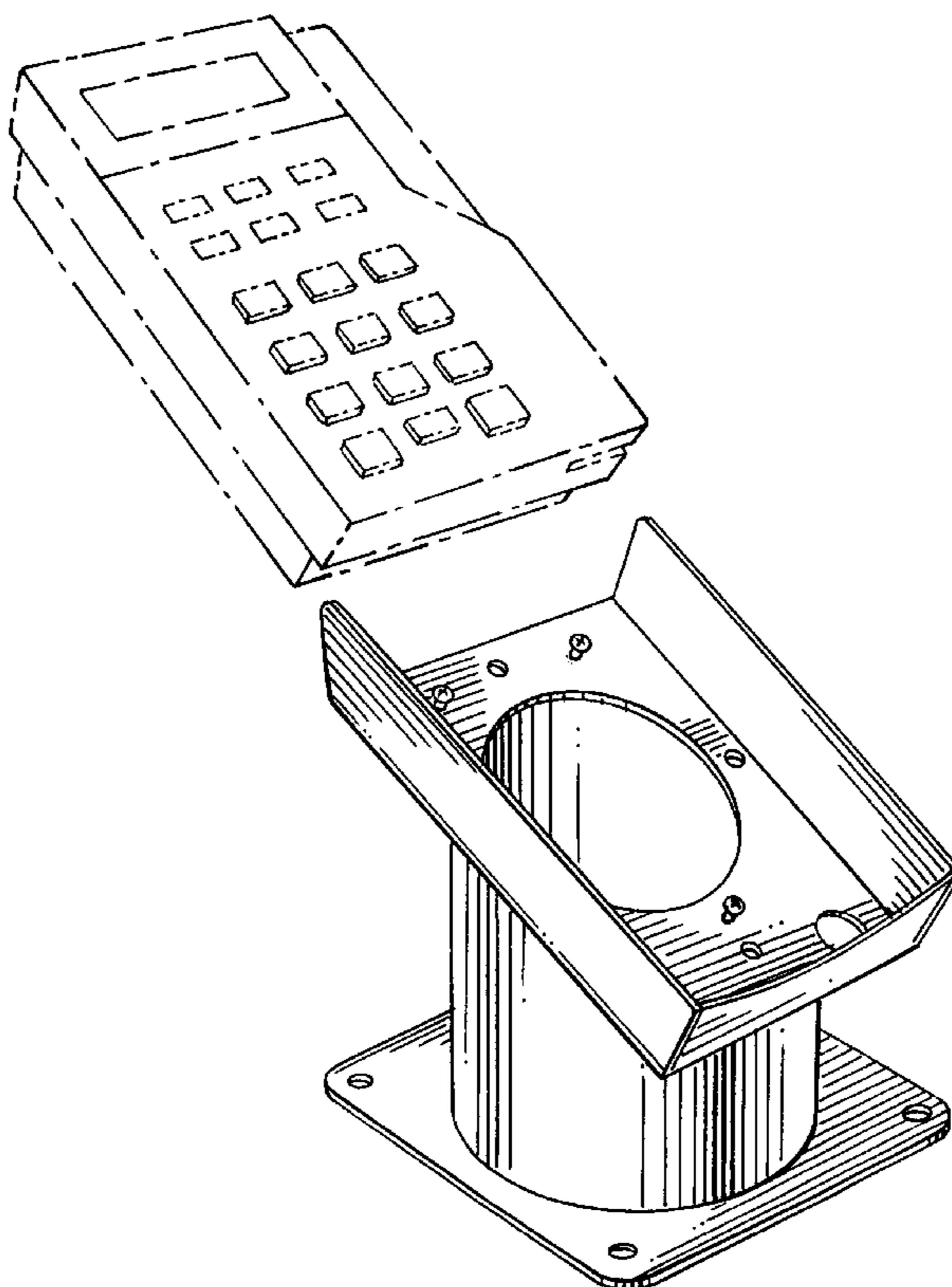


FIG. 2

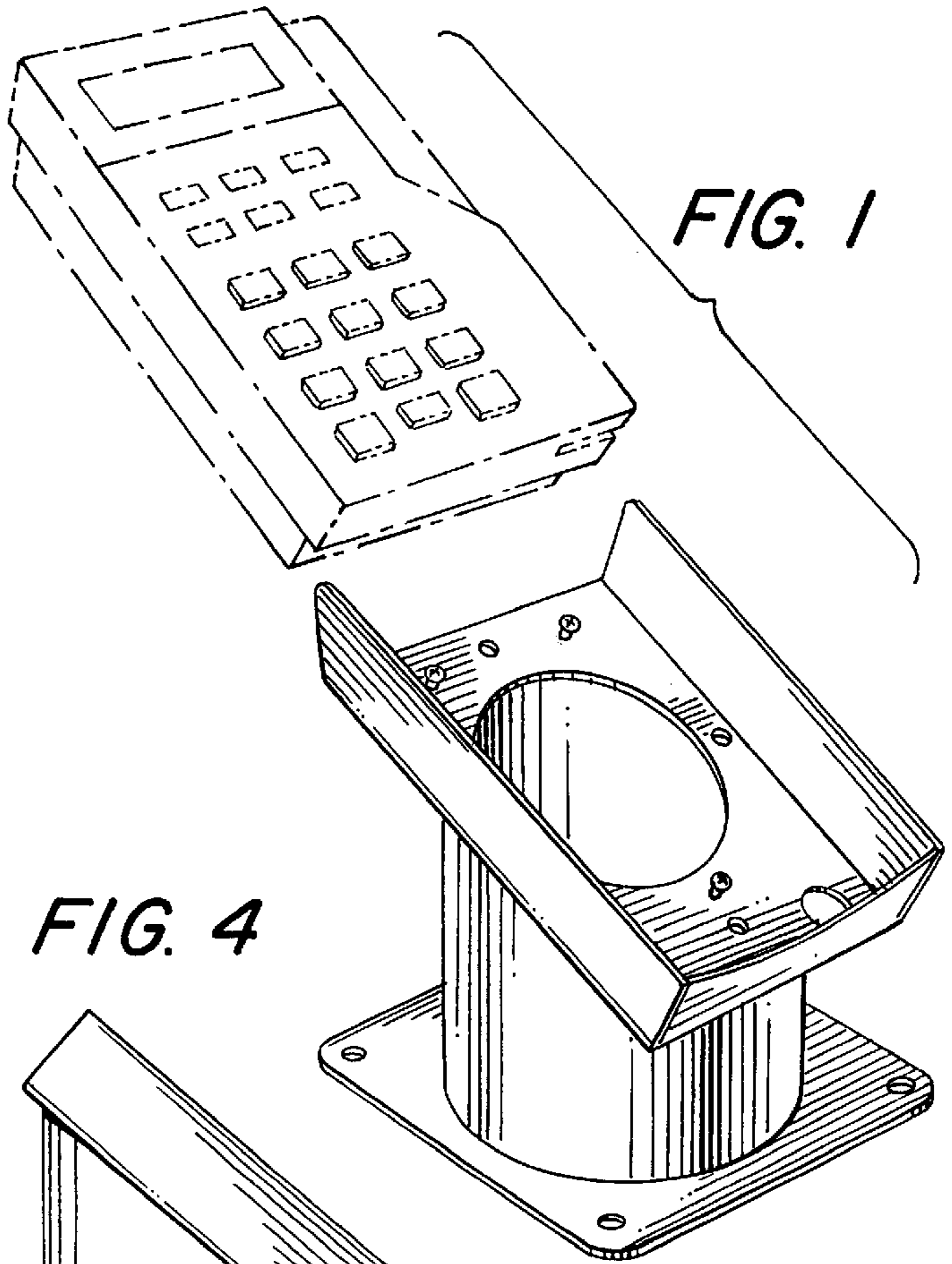
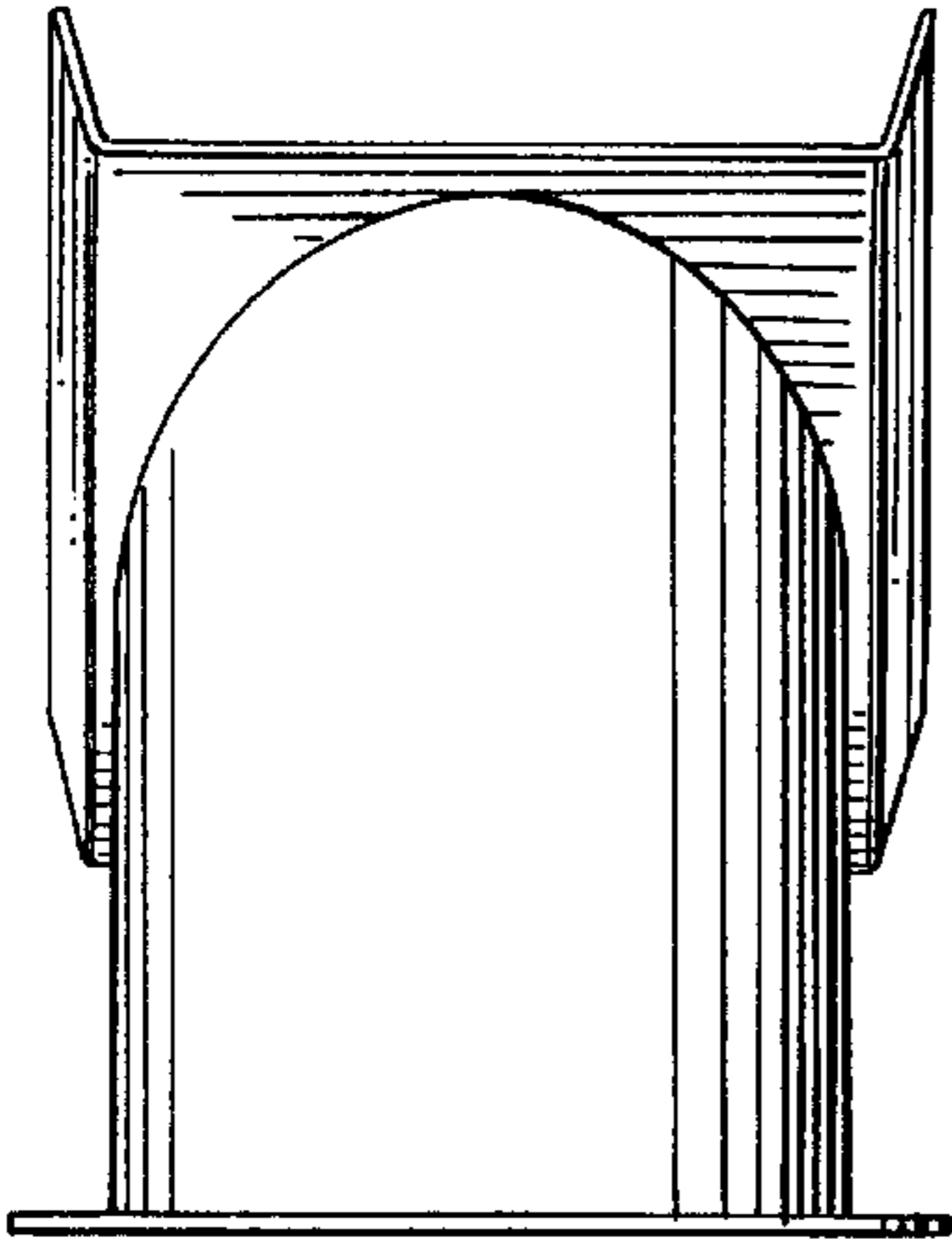


FIG. 1

FIG. 3

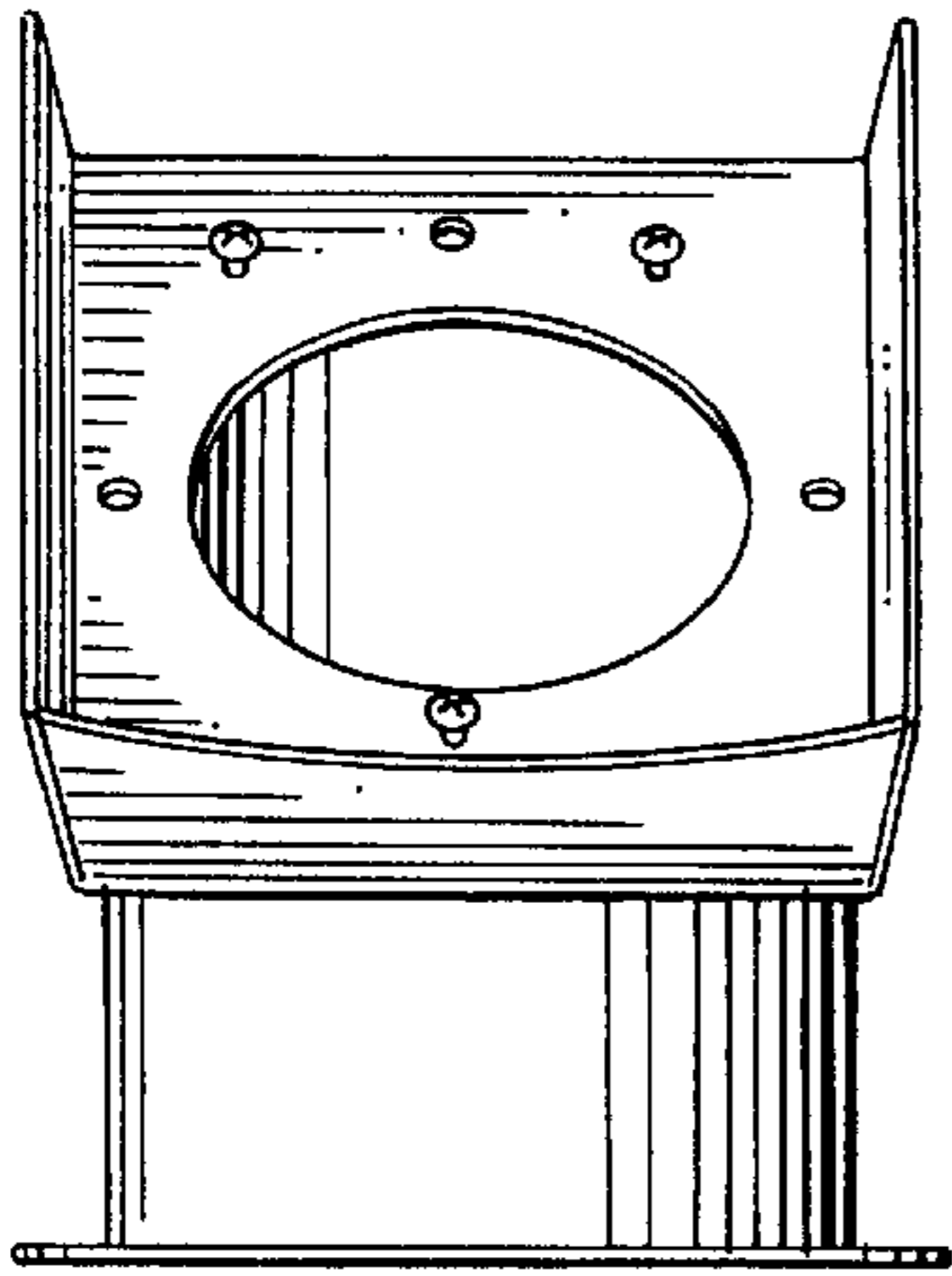


FIG. 4

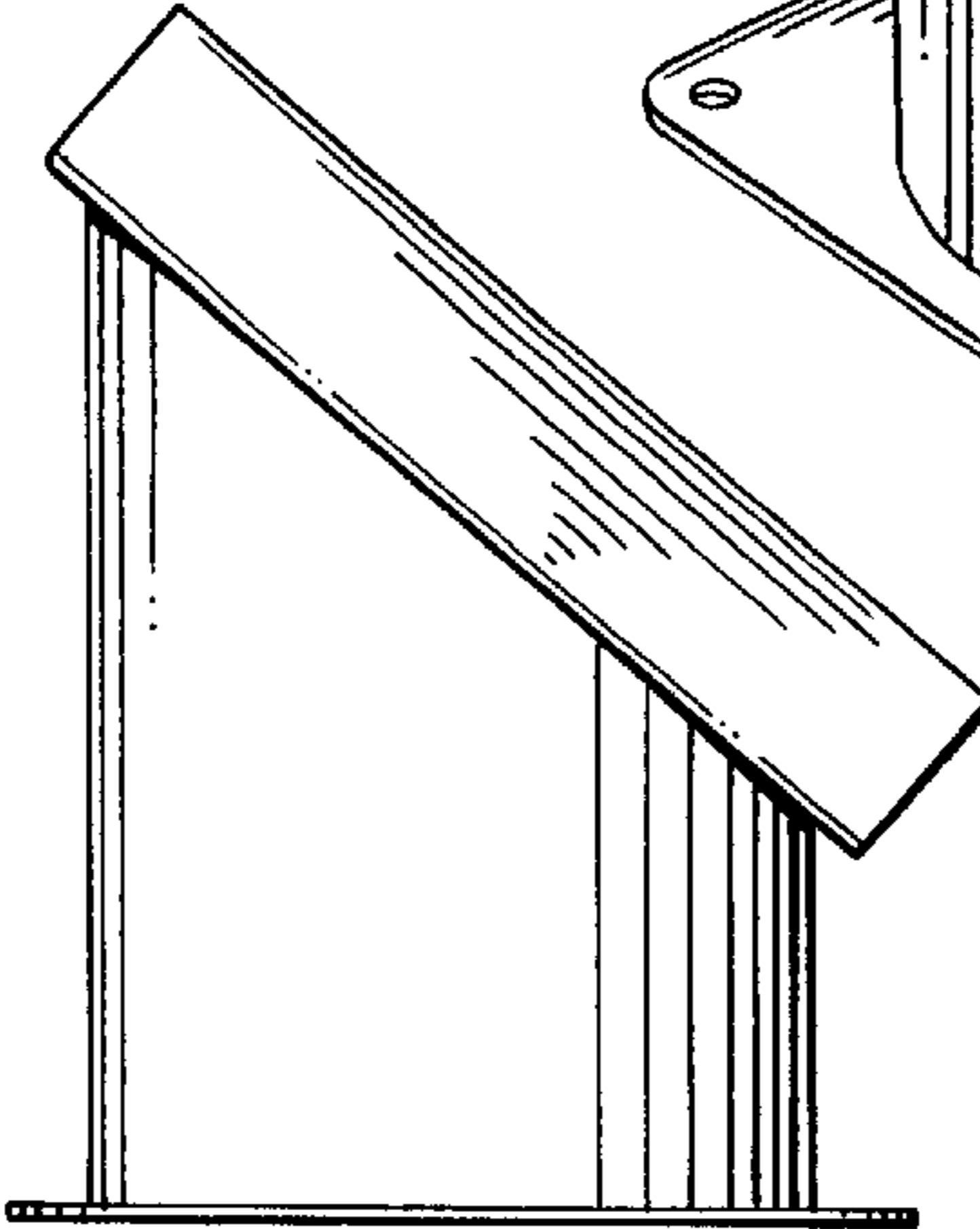


FIG. 5

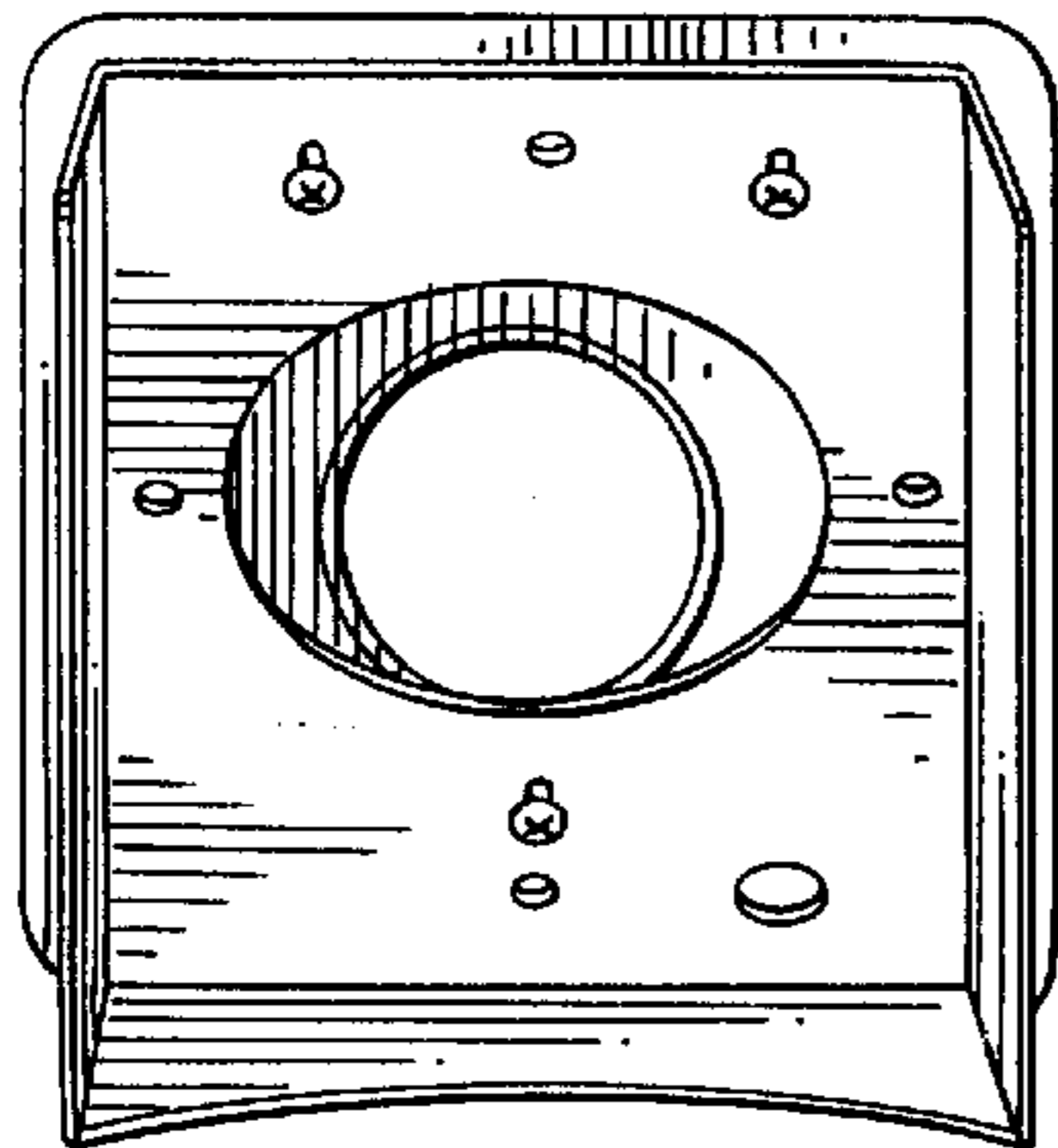


FIG. 6

