



US00D409008S

United States Patent [19] Lunn

[11] **Patent Number: Des. 409,008**

[45] **Date of Patent: ** May 4, 1999**

[54] **COMBINED TABLE AND SEATING UNIT**

[75] Inventor: **Michael J Lunn**, Carnforth, United Kingdom

[73] Assignee: **Michael John Lunn**, Carnforth, United Kingdom

[**] Term: **14 Years**

[21] Appl. No.: **29/073,867**

[22] Filed: **Jul. 18, 1997**

[30] **Foreign Application Priority Data**

Feb. 22, 1997 [GB] United Kingdom 2063497

[51] **LOC (6) Cl.** **06-01**

[52] **U.S. Cl.** **D6/337**

[58] **Field of Search** D6/334, 335, 336,
D6/337, 338, 500, 501, 502; 297/157.1,
158.3, 158.5

[56] **References Cited**

U.S. PATENT DOCUMENTS

D. 165,710 1/1952 Currie et al. D6/337

D. 196,121	8/1963	Soszynski	D6/337
D. 231,963	7/1974	May	D6/337
D. 272,302	1/1984	Connelly	D6/337
D. 279,433	7/1985	Fuchs	D6/337

Primary Examiner—Gary D. Watson

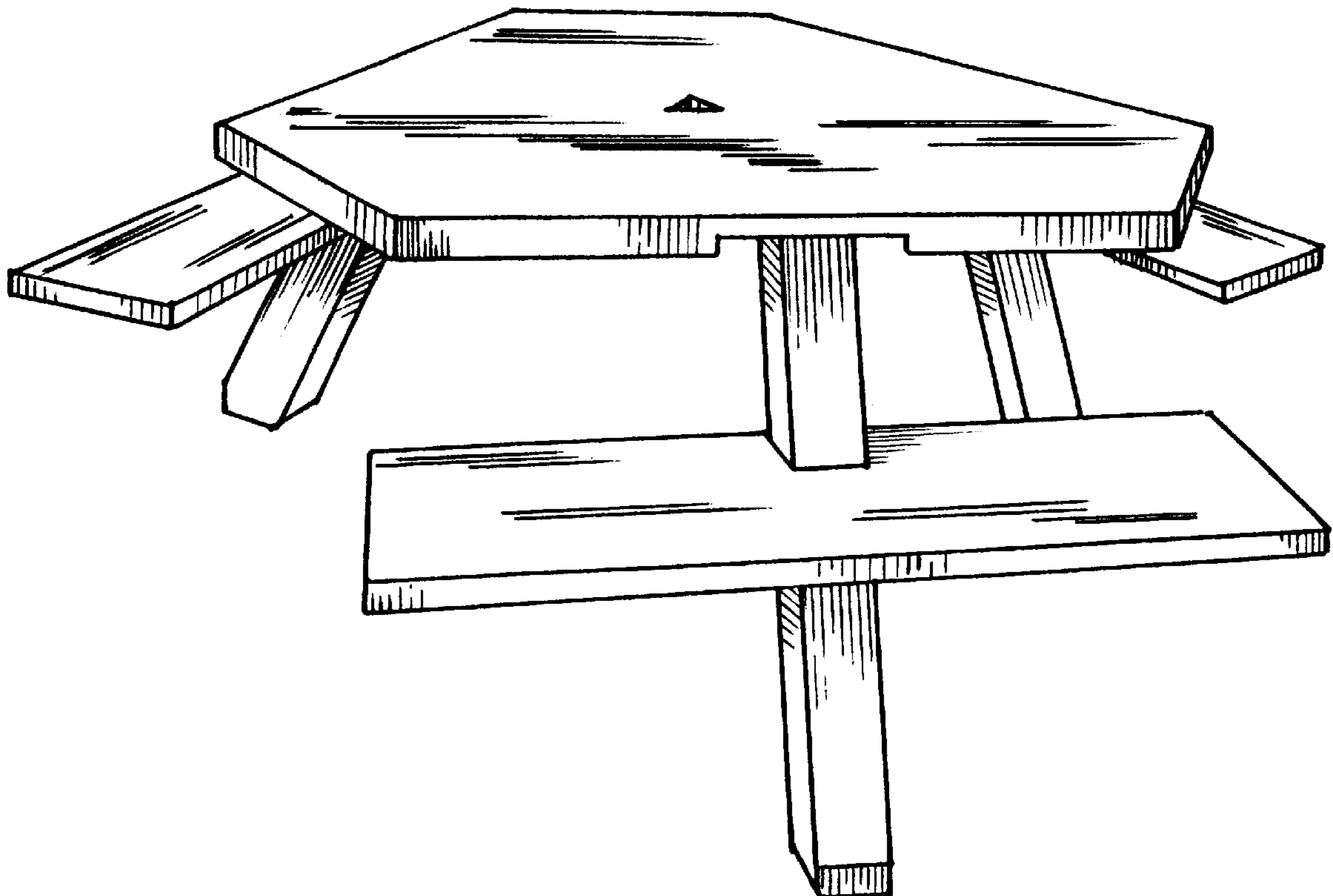
[57] **CLAIM**

The ornamental design for a combined table and seating unit, as shown and described.

DESCRIPTION

FIG. 1 is a perspective view of a combined table and seating unit showing my new design;
 FIG. 2 is a side perspective view thereof, the other sides being a mirror image thereof;
 FIG. 3 is a top plan view thereof;
 FIG. 4 is a perspective view of a second embodiment of a combined table and seating unit;
 FIG. 5 is a side perspective view thereof, the other sides being a mirror image thereof; and,
 FIG. 6 is a top plan view thereof.

1 Claim, 4 Drawing Sheets



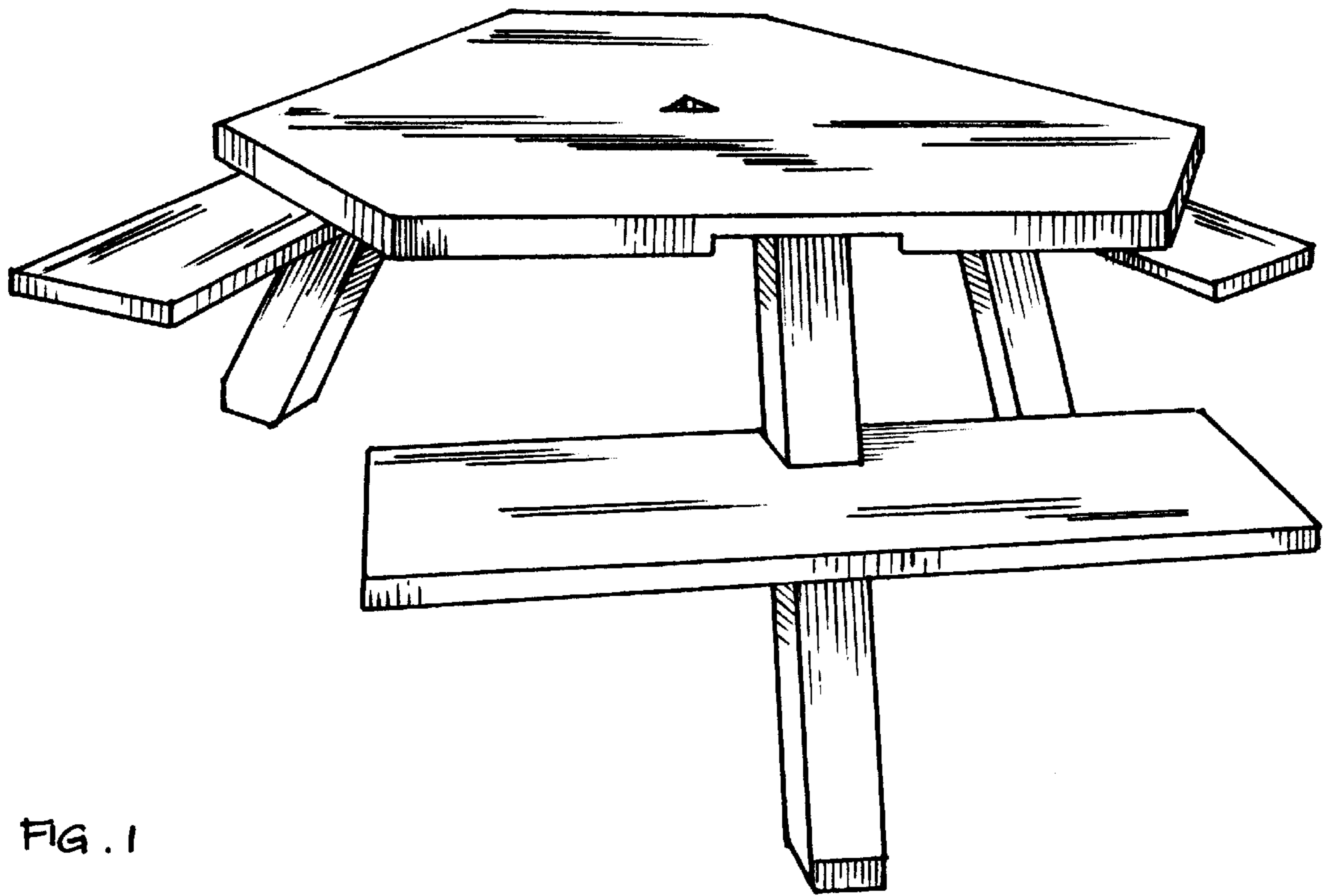


FIG. 1

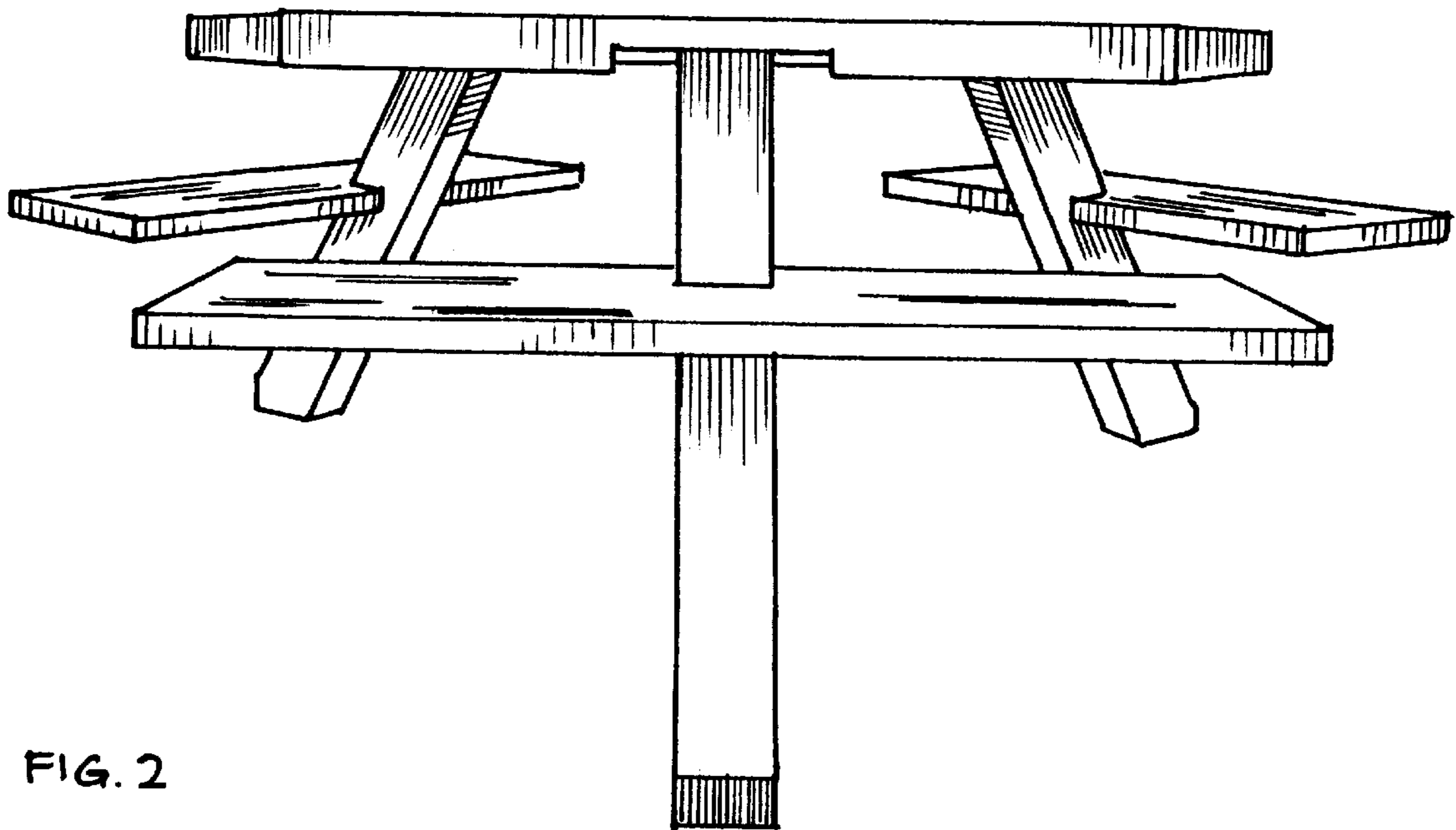


FIG. 2

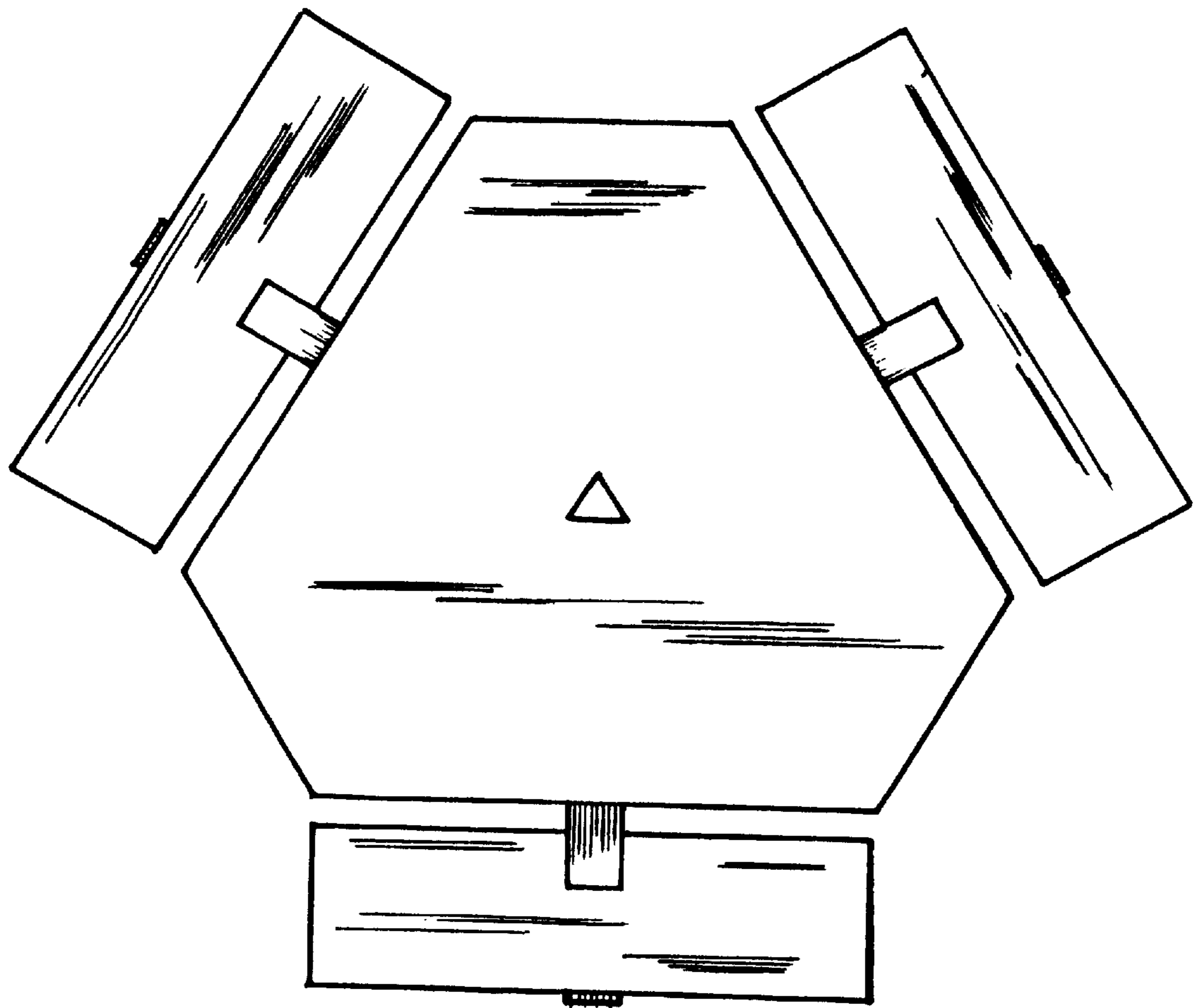


FIG. 3

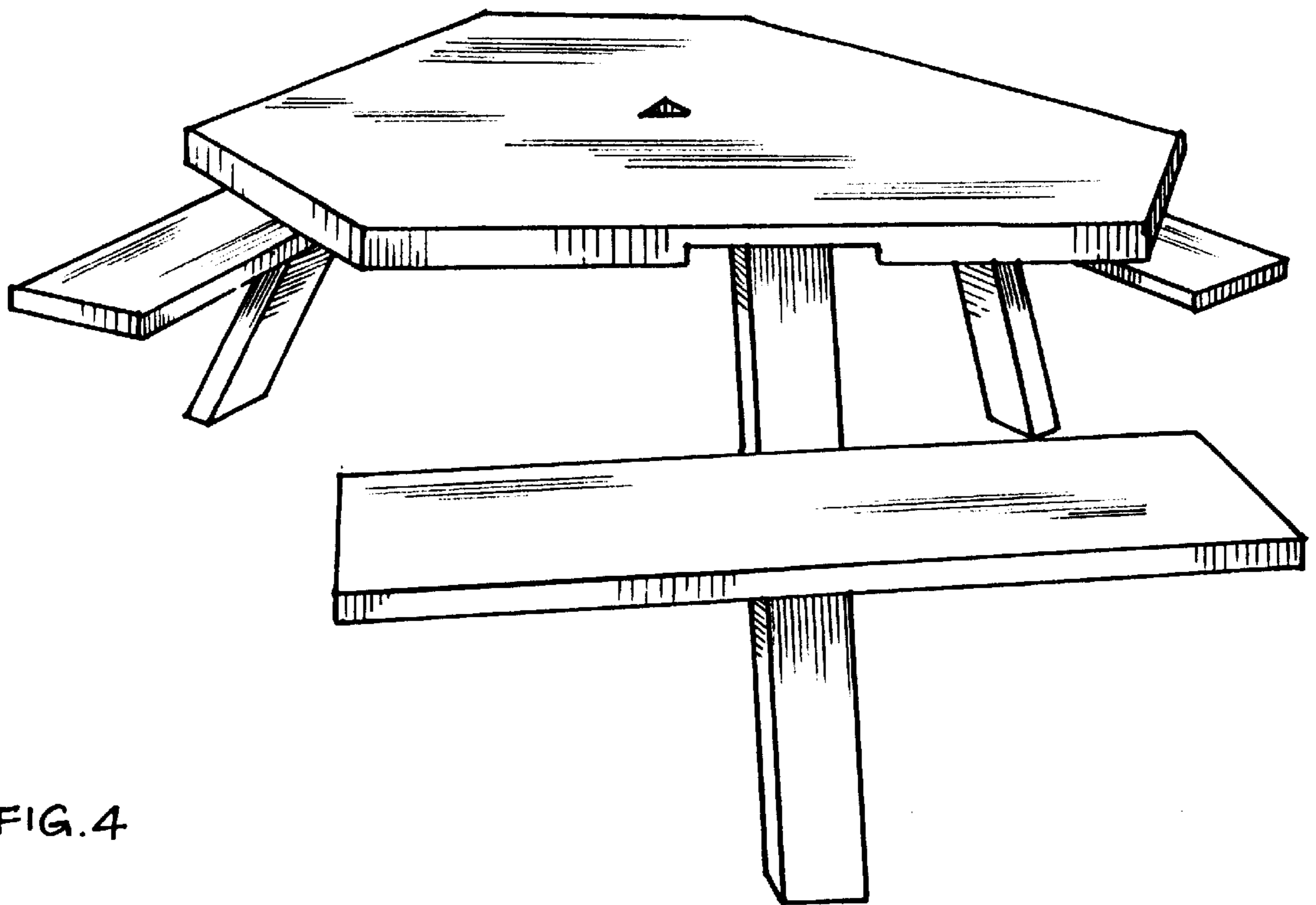


FIG. 4

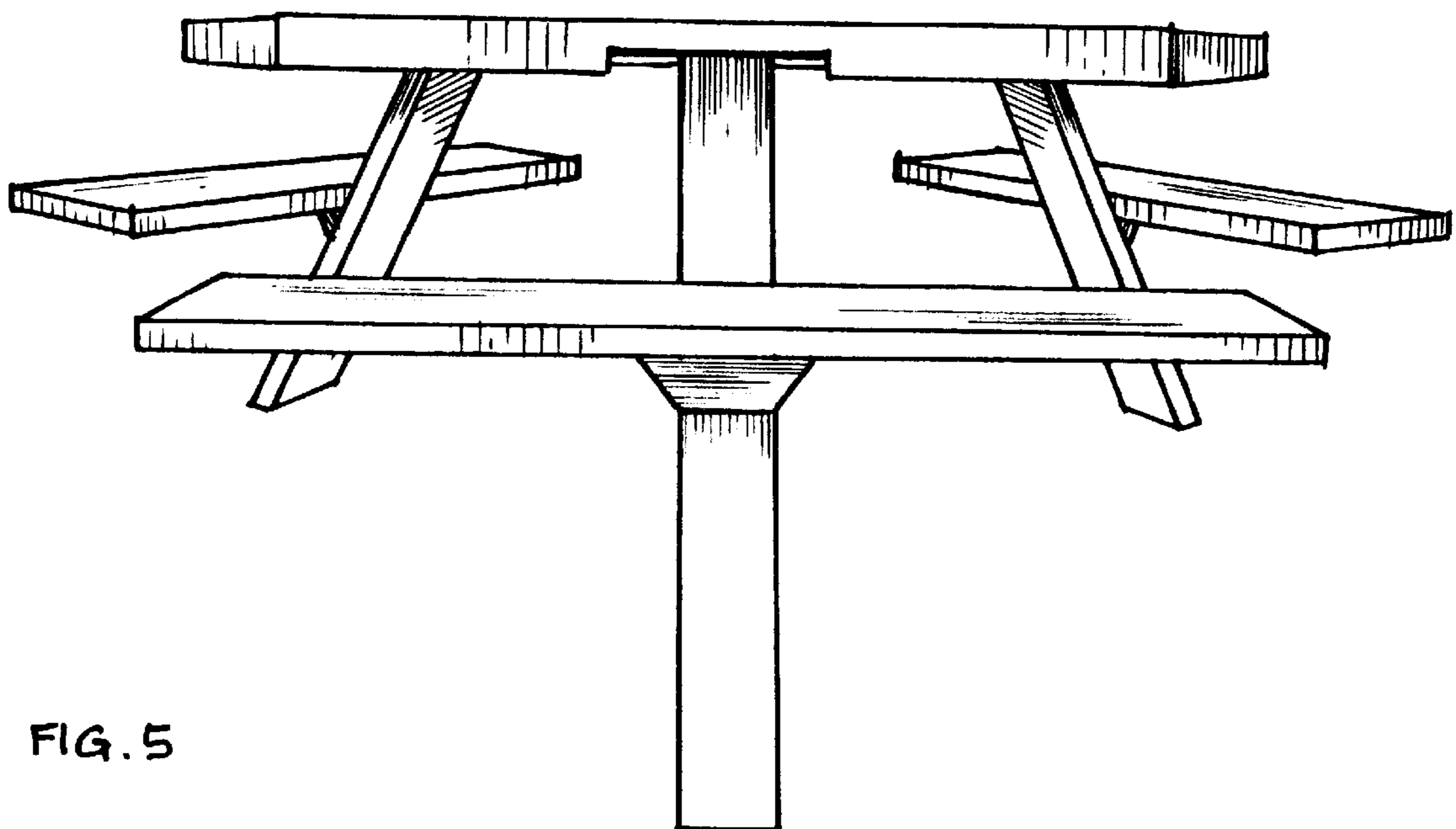


FIG. 5

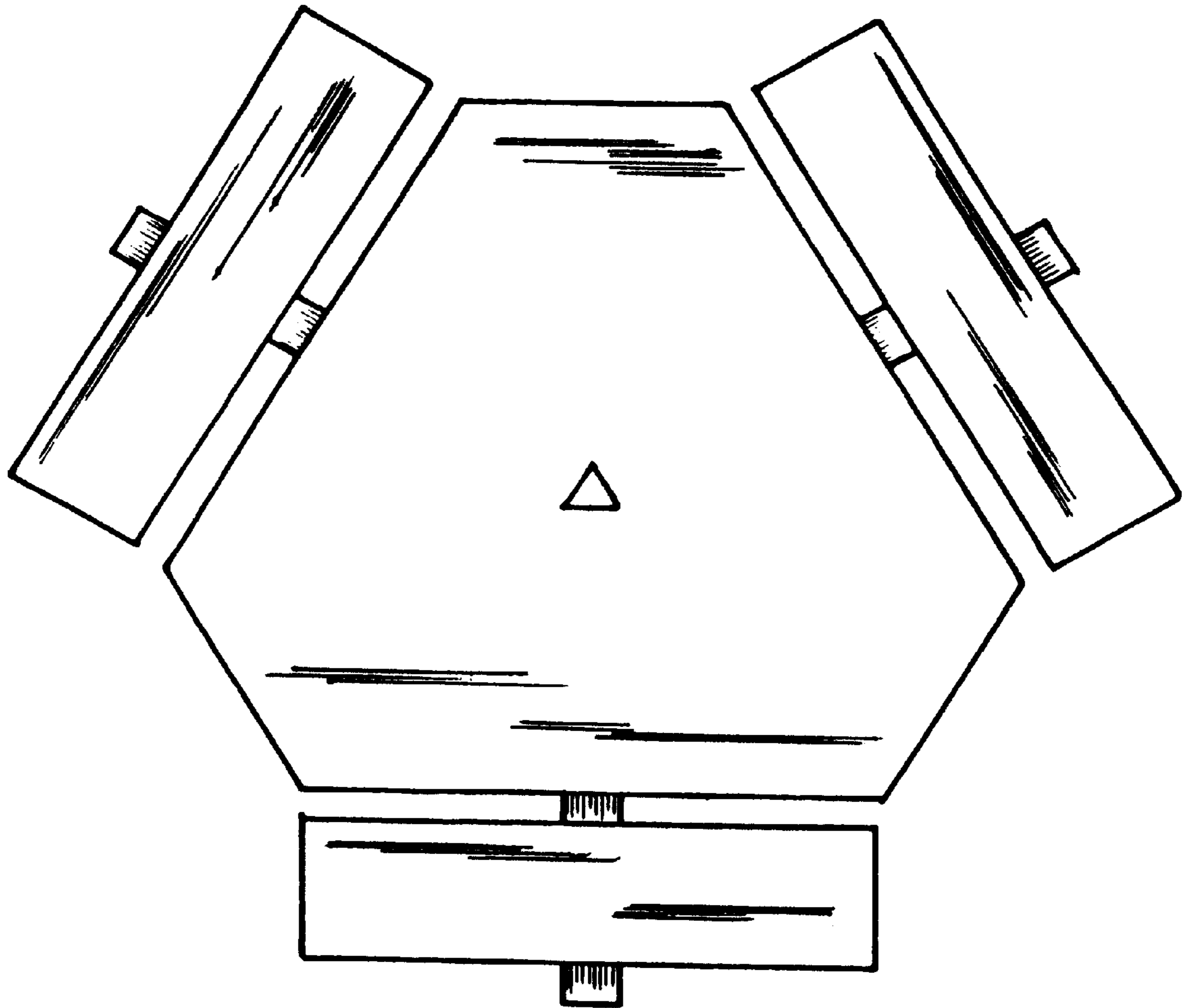


FIG. 6