



US00D409003S

United States Patent [19] Scavini

[11] **Patent Number: Des. 409,003**

[45] **Date of Patent: ** May 4, 1999**

[54] **WALL MOUNTING MIRROR**

1,439,836 12/1922 Pease 359/879

[76] Inventor: **Carlo Scavini**, Via Meucci, 10a, 21049 Tradate (Varese), Italy

Primary Examiner—Janice E. Seeger
Attorney, Agent, or Firm—Hedman, Gibson & Costigan, P.C.

[**] Term: **14 Years**

[21] Appl. No.: **29/087,263**

[57] **CLAIM**

The ornamental design for a wall mounting mirror, as shown and described.

[22] Filed: **Apr. 29, 1998**

[51] **LOC (6) Cl.** **06-07**

DESCRIPTION

[52] **U.S. Cl.** **D6/312; D6/300; D6/309**

FIG. 1 is a front perspective view of a wall mounting mirror, according to my design;
FIG. 2 is a front view of my design;
FIG. 3 is a back view of my design;
FIG. 4 is a left side view of my design;
FIG. 5 is a right side view of my design;
FIG. 6 is a top view of my design; and,
FIG. 7 is a bottom view of my design.

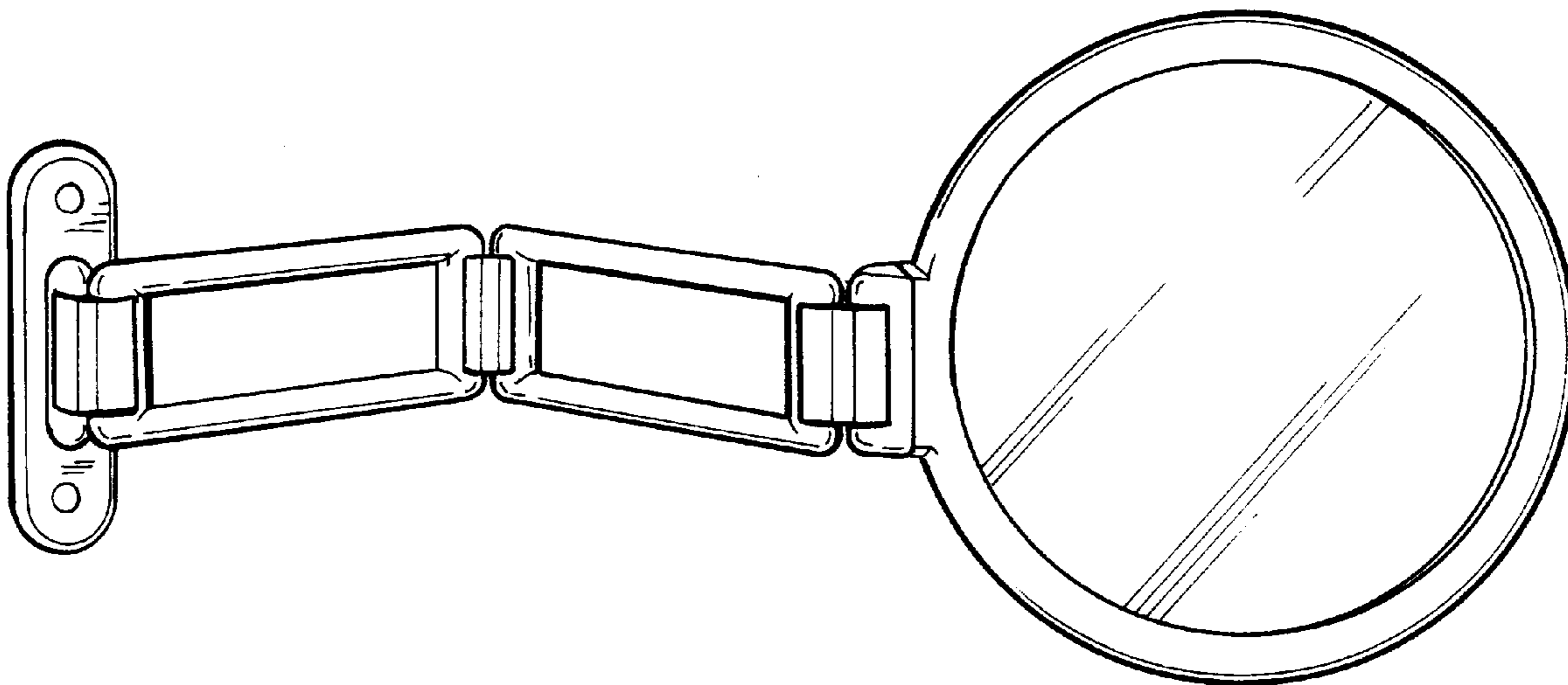
[58] **Field of Search** D6/300-302, 309-314; 40/700, 711, 719, 723, 739, 745-749, 765, 779, 780, 798; 248/466, 474, 476; 359/871, 872, 875, 876, 881, 879

[56] **References Cited**

U.S. PATENT DOCUMENTS

- D. 44,537 8/1913 McIsaac D6/309
- D. 346,699 5/1994 Greger D6/312

1 Claim, 2 Drawing Sheets



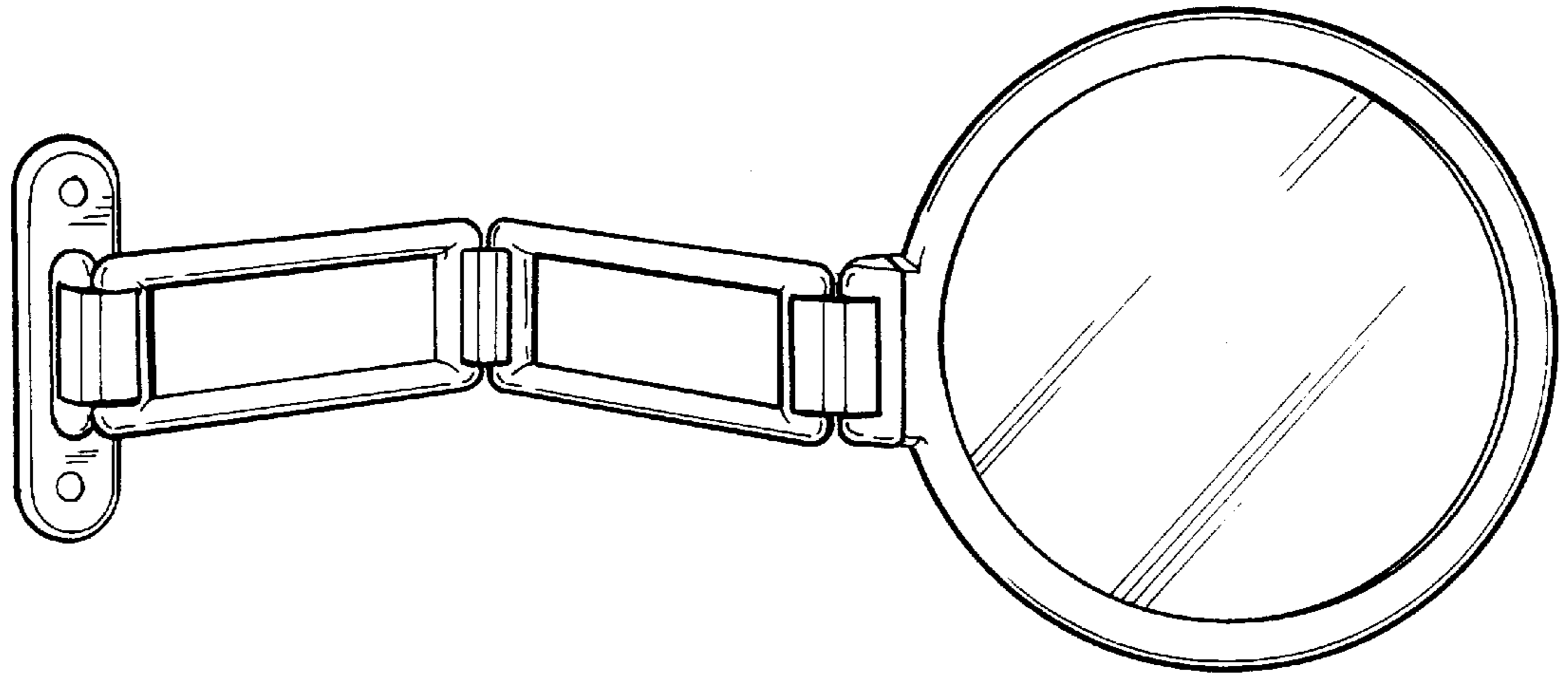


FIG. 1

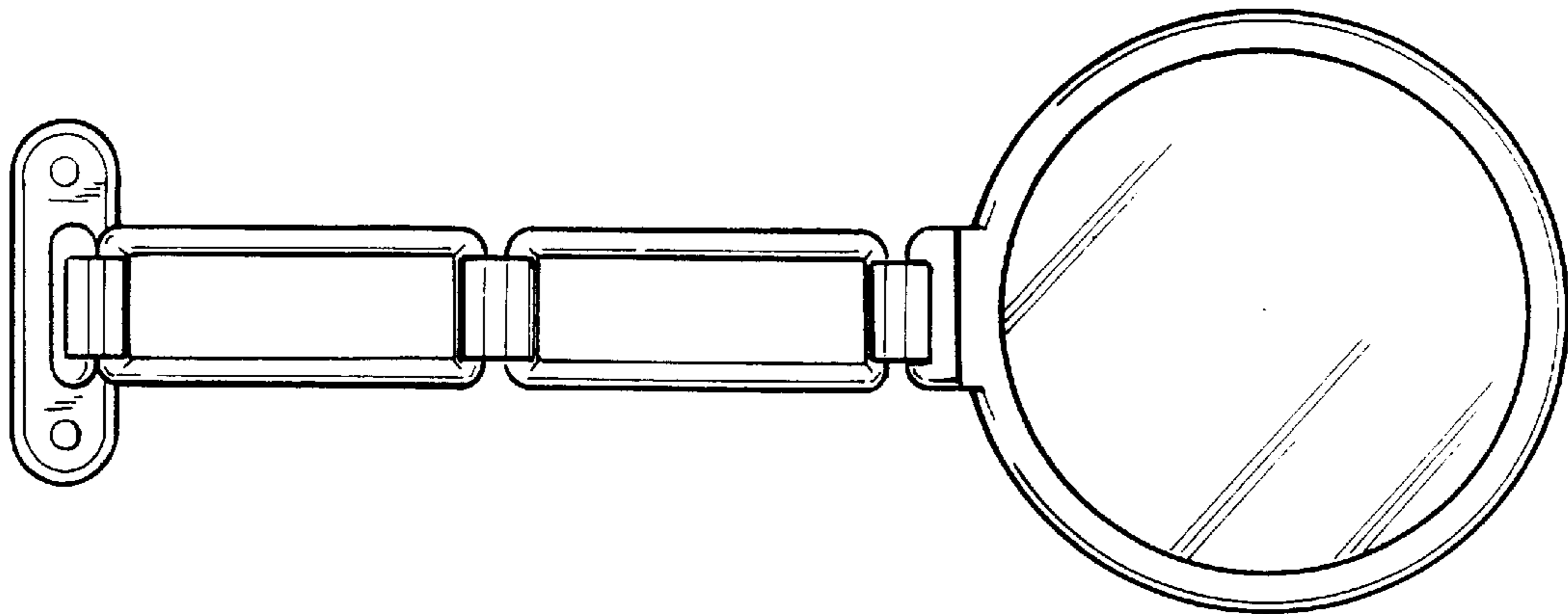


FIG. 2

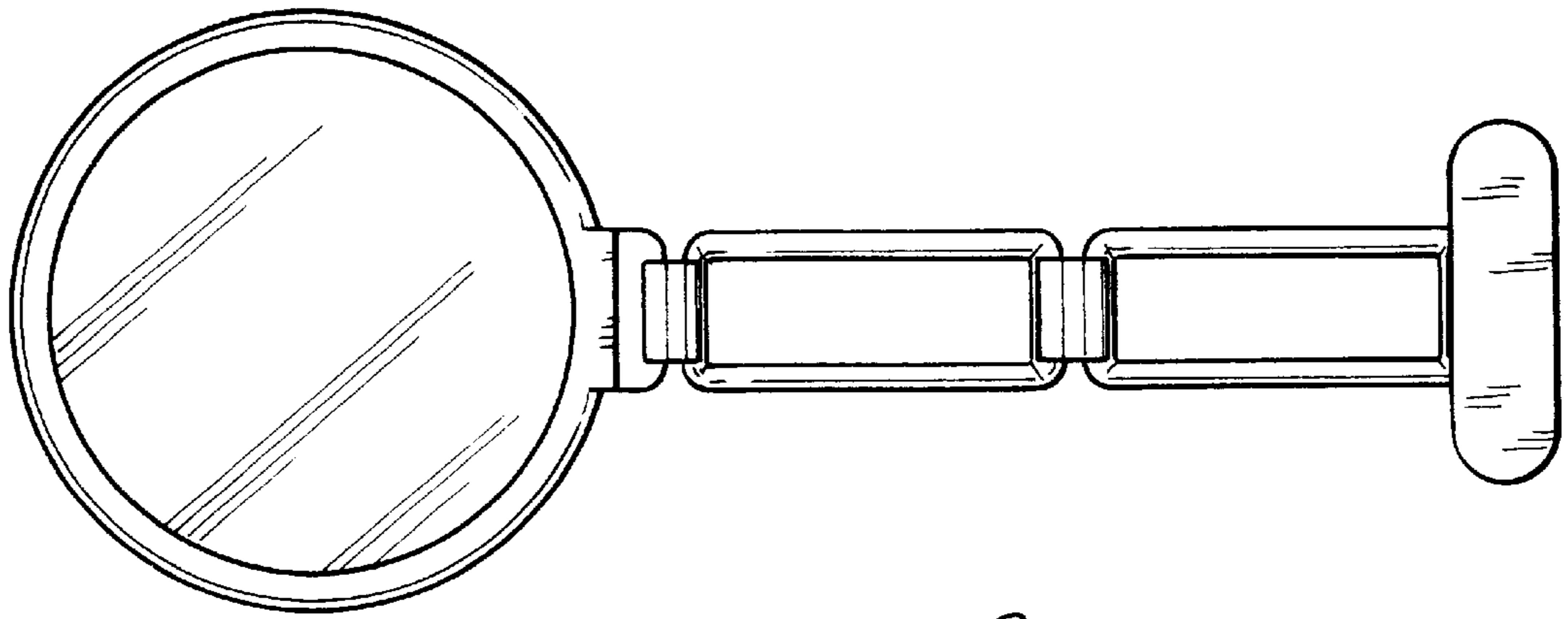


FIG. 3

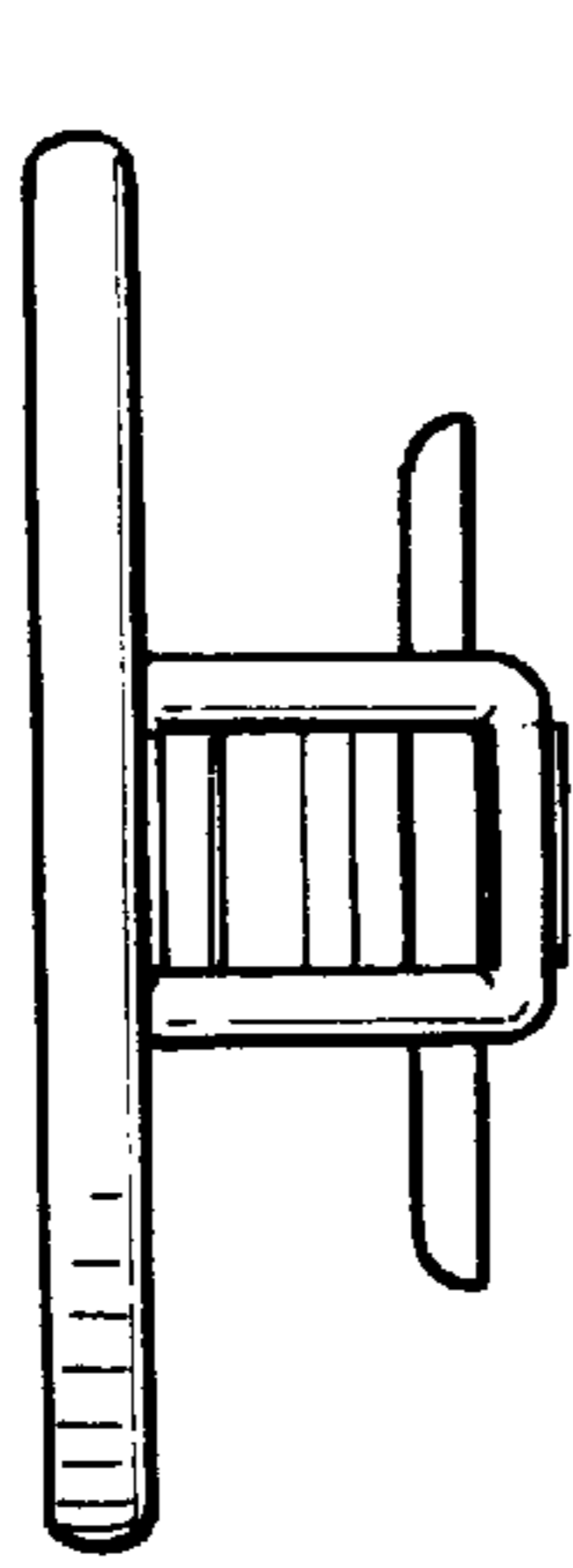


FIG. 4

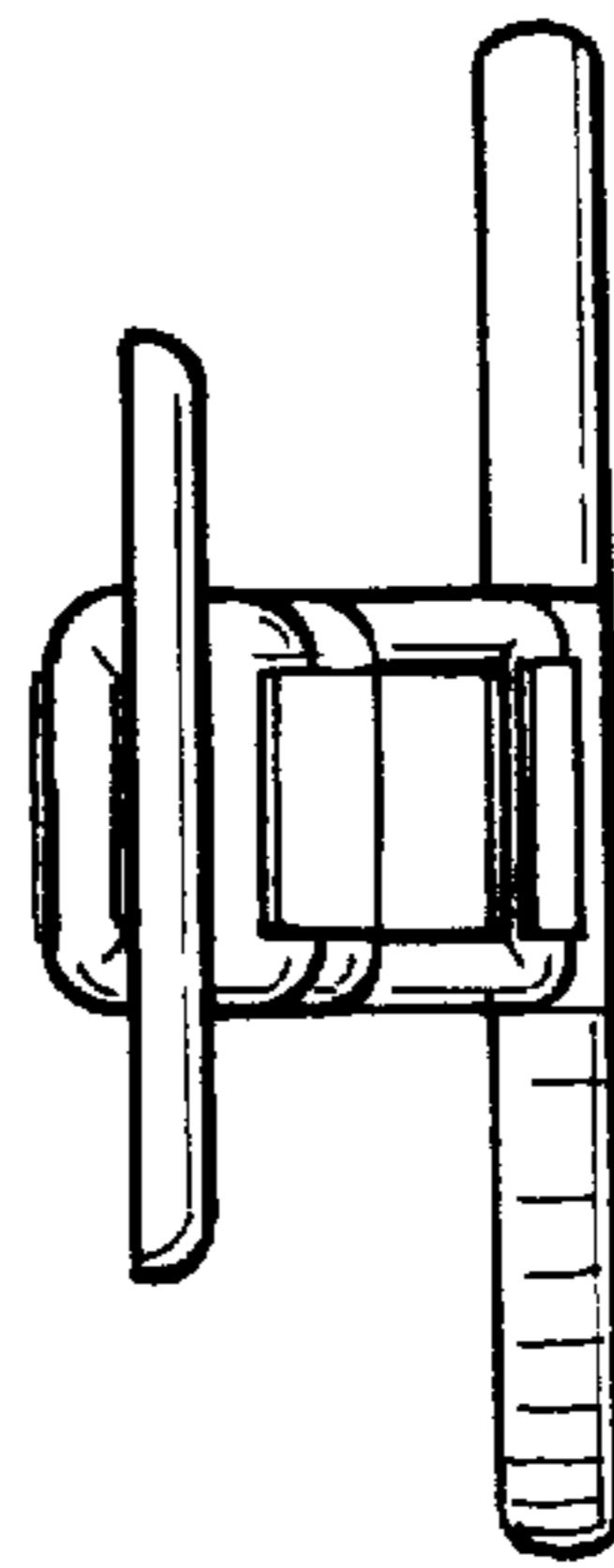


FIG. 5

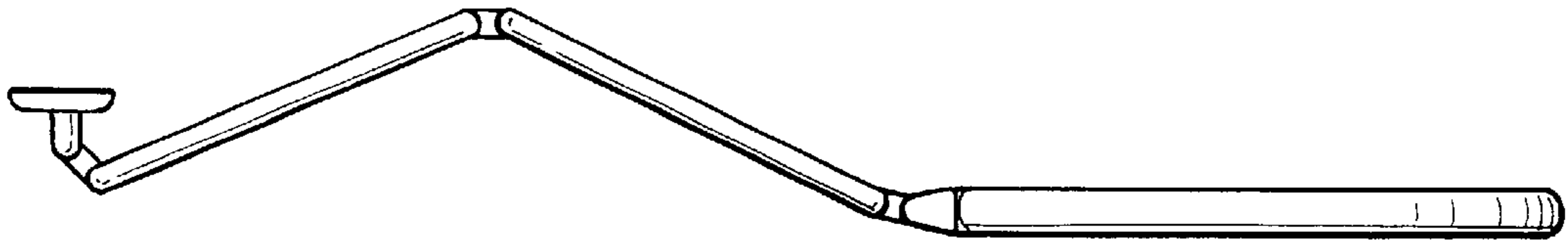


FIG. 6

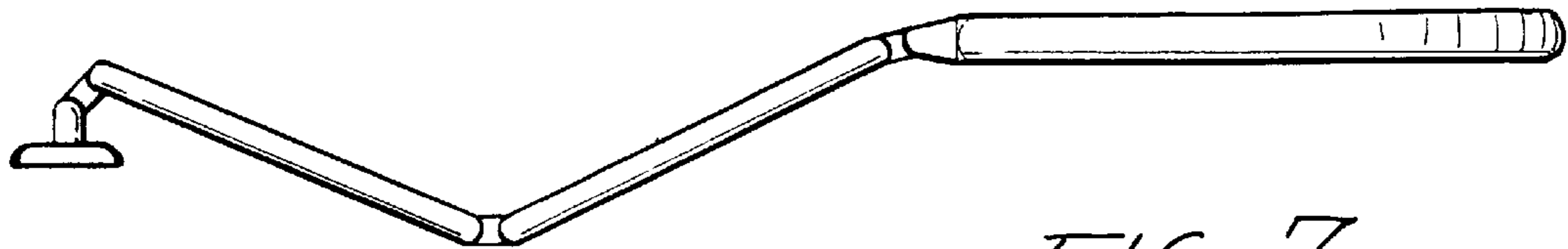


FIG. 7