



US00D409002S

# United States Patent [19]

Manis et al.

[11] **Patent Number: Des. 409,002**

[45] **Date of Patent: \*\* May 4, 1999**

[54] **CORNER-FRAMED MIRROR**

[75] Inventors: **Kay Manis; Marion Manis**, both of  
3134 W. Country Club Rd., Searcy, Ark.  
72143

[73] Assignees: **Marion Manis; Kay Manis**, both of  
Searcy, Ark.

[\*\*] Term: **14 Years**

[21] Appl. No.: **29/075,174**

[22] Filed: **Jul. 28, 1997**

[51] **LOC (6) Cl.** ..... **06-07**

[52] **U.S. Cl.** ..... **D6/300**

[58] **Field of Search** ..... D6/300-303, 308-314;  
40/700, 711, 721-724, 729, 730, 765, 766,  
798; 359/840, 870, 871

[56] **References Cited**

**U.S. PATENT DOCUMENTS**

D. 14,981 4/1884 Miller ..... D6/306

D. 23,384 6/1894 Von Grave ..... D6/300  
D. 142,356 9/1945 Vallevona ..... D6/300  
D. 351,486 10/1994 Carranza ..... D28/64.6  
D. 363,612 10/1995 Lewis ..... D6/300

*Primary Examiner*—Janice E. Seeger

[57] **CLAIM**

The ornamental design for a corner-framed mirror, as shown and described.

**DESCRIPTION**

FIG. 1 is a front elevational view of a corner-framed mirror, showing our new design;  
FIG. 2 is a side elevational view, the opposite side being a mirror image thereof;  
FIG. 3 is a top plan view, the bottom being a mirror image thereof;  
FIG. 4 is a fragmentary rear perspective view; and,  
FIG. 5 is a rear elevational view thereof.

**1 Claim, 3 Drawing Sheets**

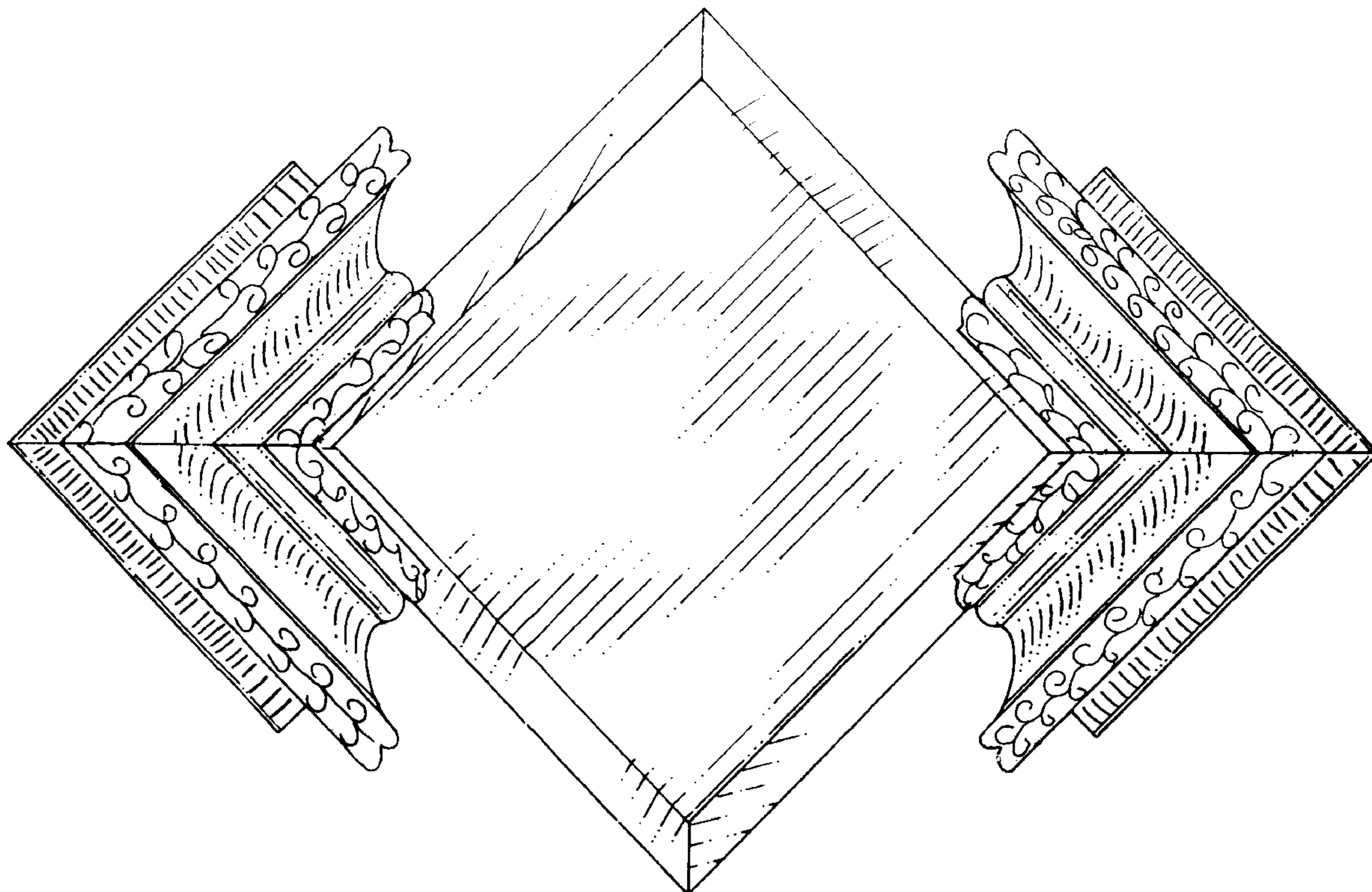


FIG. 1

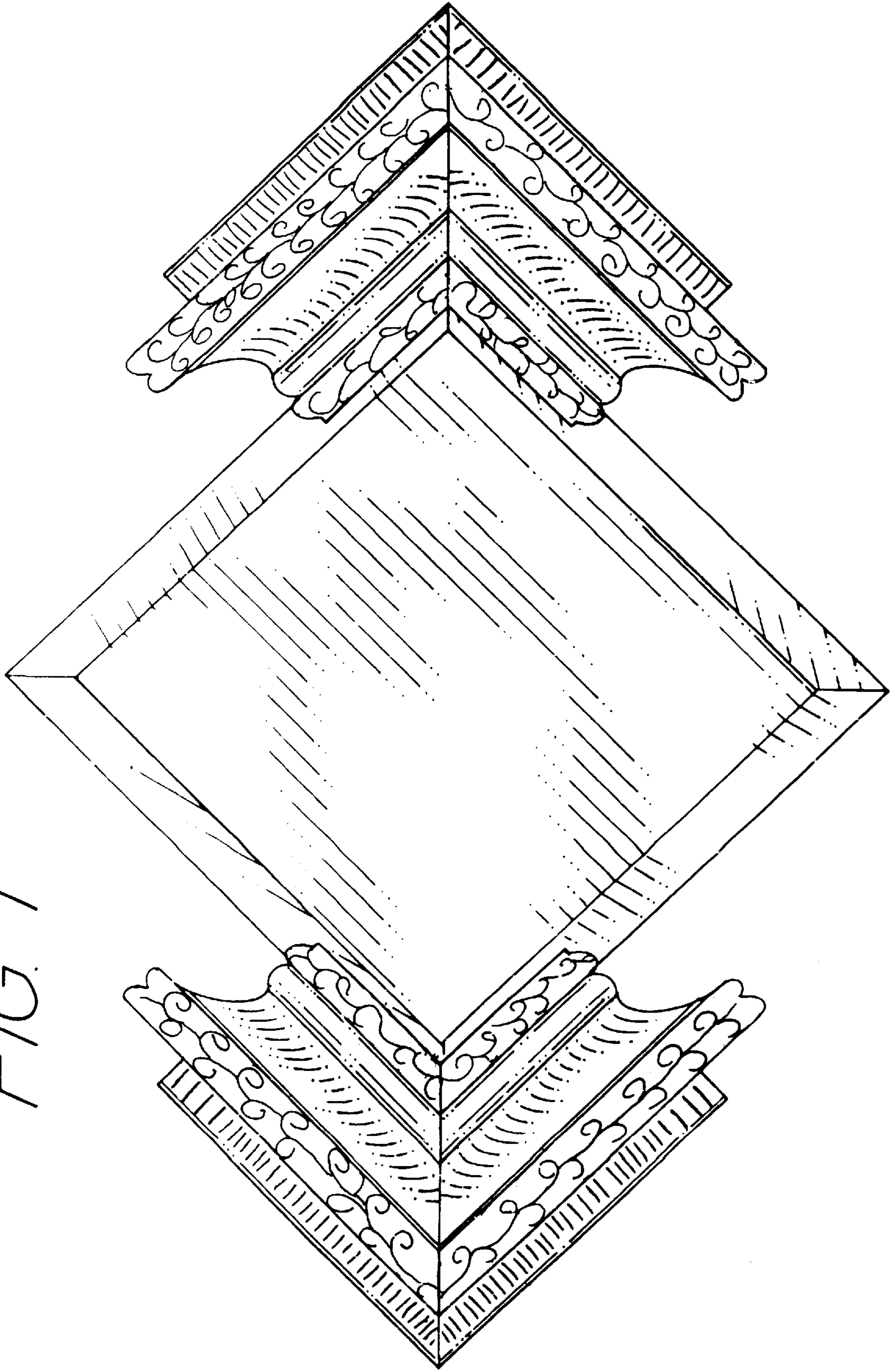


FIG. 2

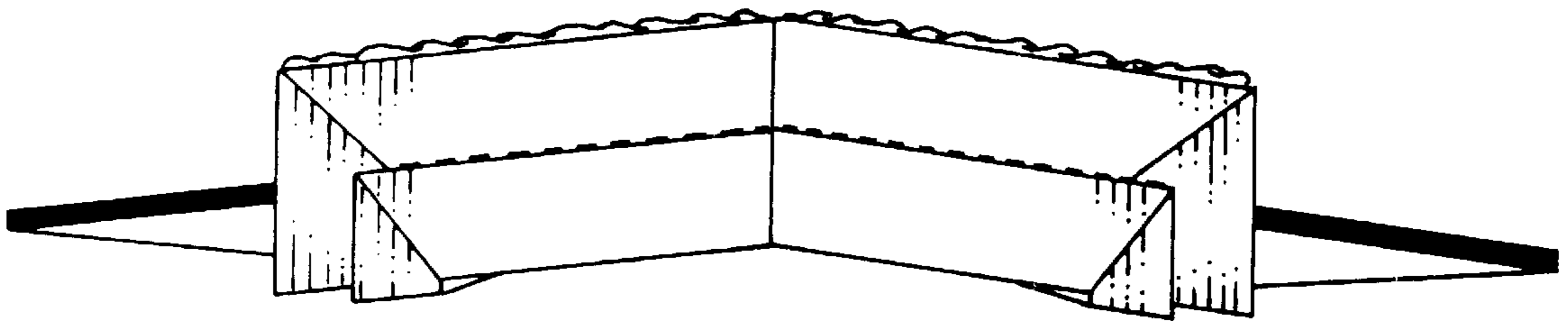


FIG. 3

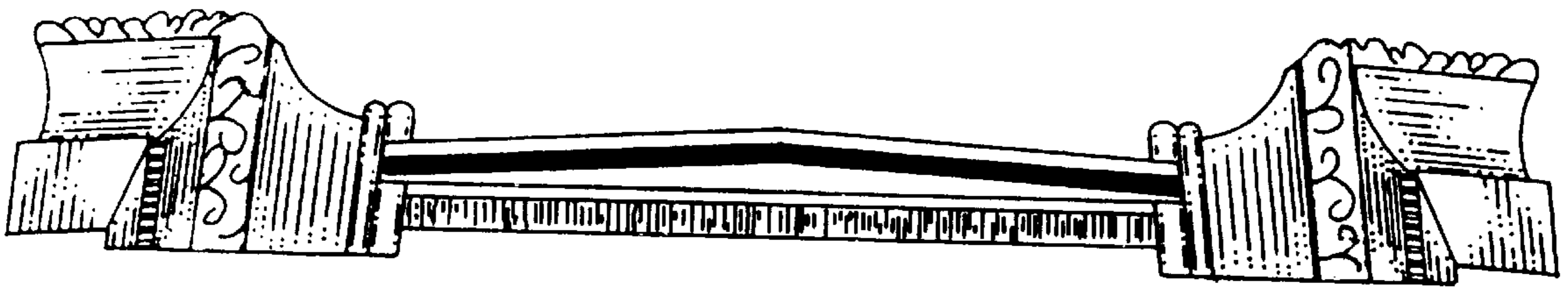


FIG. 4

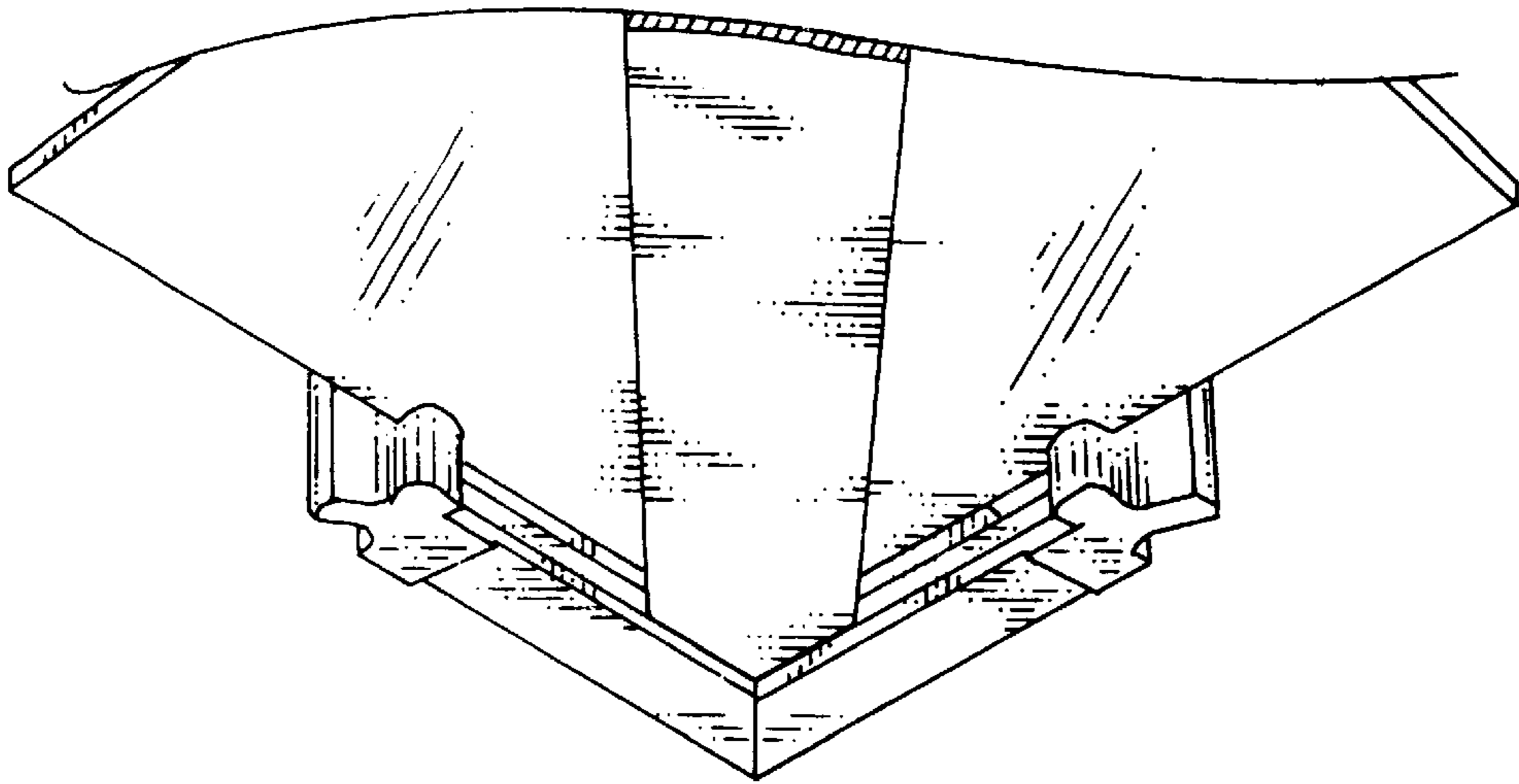


FIG. 5

