



US00D409001S

United States Patent [19] Schwartz

[11] Patent Number: **Des. 409,001**

[45] Date of Patent: **** May 4, 1999**

[54] **FIBER**
[75] Inventor: **Larry Schwartz**, Franklin Lakes, N.J.
[73] Assignee: **Sun Isle Casual Furniture, LLC**,
Franklin Lakes, N.J.
[**] Term: **14 Years**
[21] Appl. No.: **29/082,412**
[22] Filed: **Jan. 15, 1998**

3,436,870 4/1969 Sellman D25/119
3,590,570 7/1971 Okuhashi et al. 57/901
3,691,749 9/1972 McKay 264/117.13
3,700,544 10/1972 Matsui 428/373
3,839,526 10/1974 Riley et al. 264/177.13
4,460,649 7/1984 Park et al. 428/373
5,288,552 2/1994 Hollenbaugh, Jr. et al. 428/364

OTHER PUBLICATIONS

Mezzani Rigati Pasta #9, Colored Insert Facing p. 29,
Encyclopedia of Food, A. Ward. Nonpatent Literature, 1923.

Primary Examiner—Robert M. Spear
Attorney, Agent, or Firm—Lerner, David, Littenberg,
Krumholz & Mentlik

Related U.S. Application Data

[62] Division of application No. 29/056,425, Jun. 28, 1996, Pat.
No. Des. 395,171.
[51] **LOC (6) Cl.** **05-99**
[52] **U.S. Cl.** **D5/99; D1/126**
[58] **Field of Search** D1/126; D5/47,
D5/50, 99; D6/368, 369; D12/169; D25/119,
120; 57/248, 253, 901; 264/176.1, 177.1,
177.13, 177.15; 297/451.9, 452.63, 452.64;
428/15, 17, 364, 373, 397

[57] CLAIM

The ornamental design for a fiber, as shown and described.

DESCRIPTION

FIG. 1 is a front perspective view of a fiber of indeterminate length showing my new design;
FIG. 2 is an end view thereof, it being understood that the opposite end elevational view is a mirror image of that shown;
FIG. 3 is a front elevational view;
FIG. 4 is a rear elevational view;
FIG. 5 is a top plan view; and,
FIG. 6 is a bottom plan view.

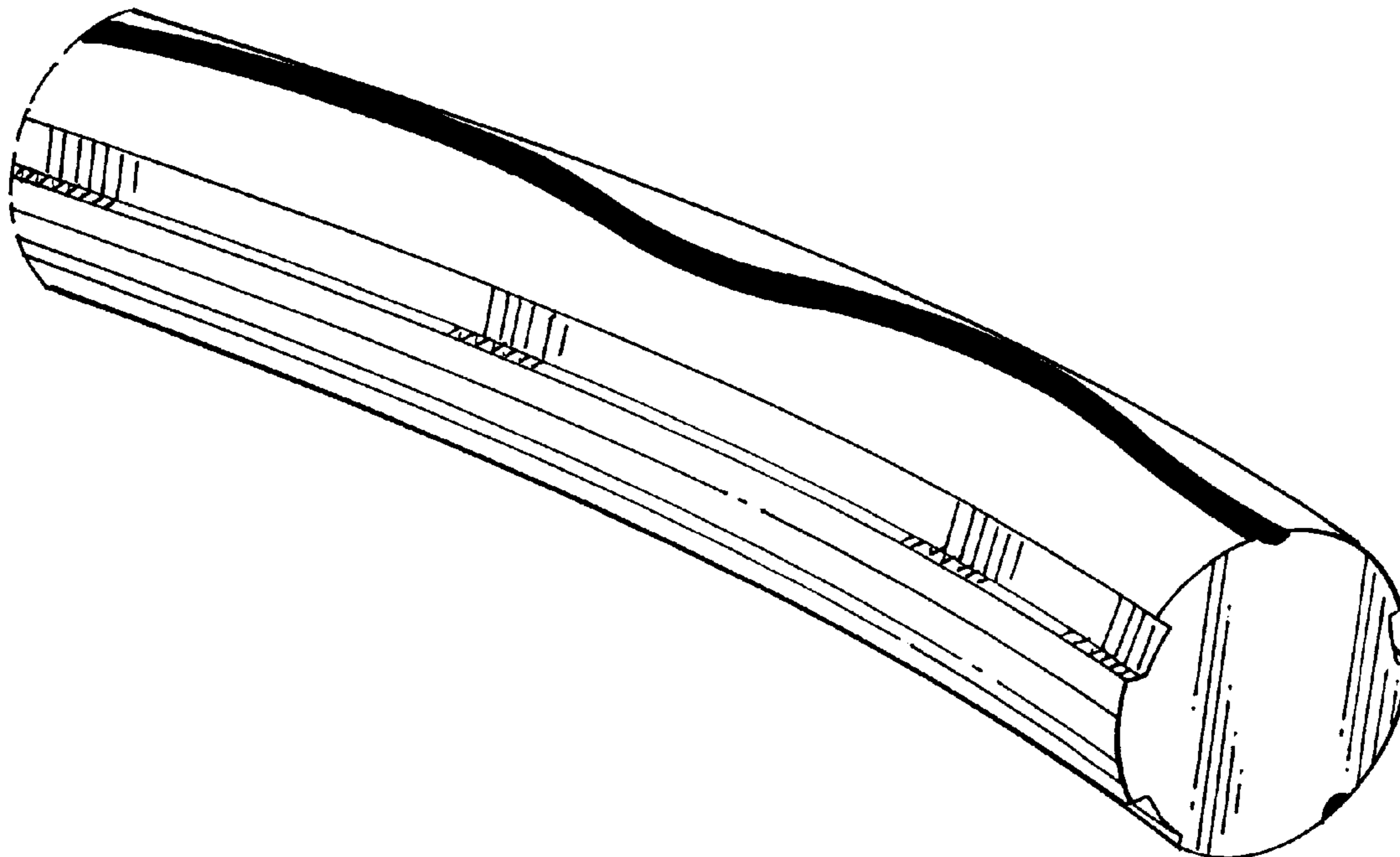
In the drawings, the broken lines indicate that the fiber has indeterminate length and form no part of the claimed design.

[56] References Cited

U.S. PATENT DOCUMENTS

D. 32,542 4/1900 Tyler D25/120
D. 91,125 11/1933 Thomas D12/169
D. 217,601 5/1970 Borichevsky D6/368
D. 220,906 6/1971 Borichevsky D6/368
D. 328,981 9/1992 Wisner D6/369
D. 337,094 7/1993 Bernstein D25/119

1 Claim, 2 Drawing Sheets



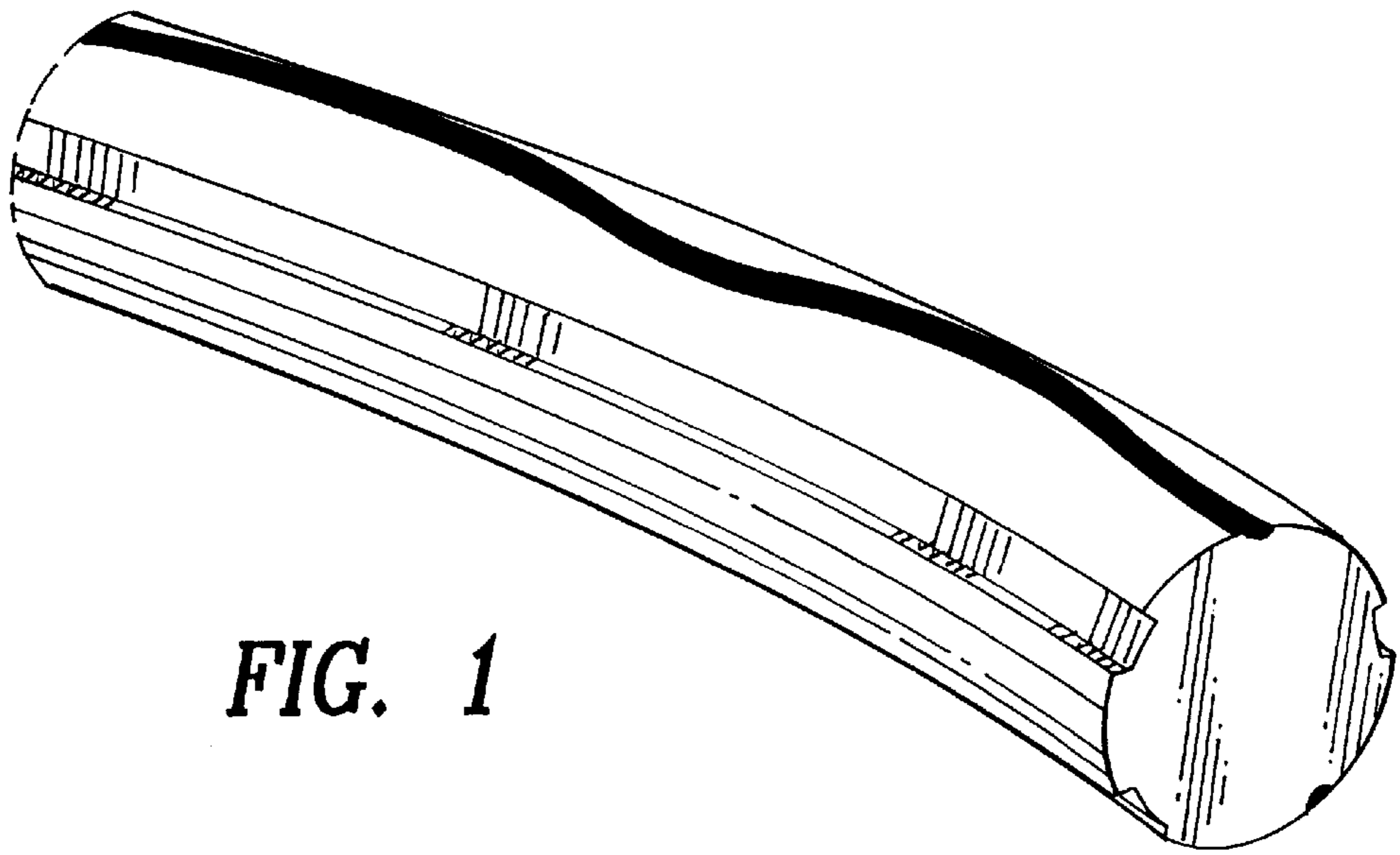


FIG. 1

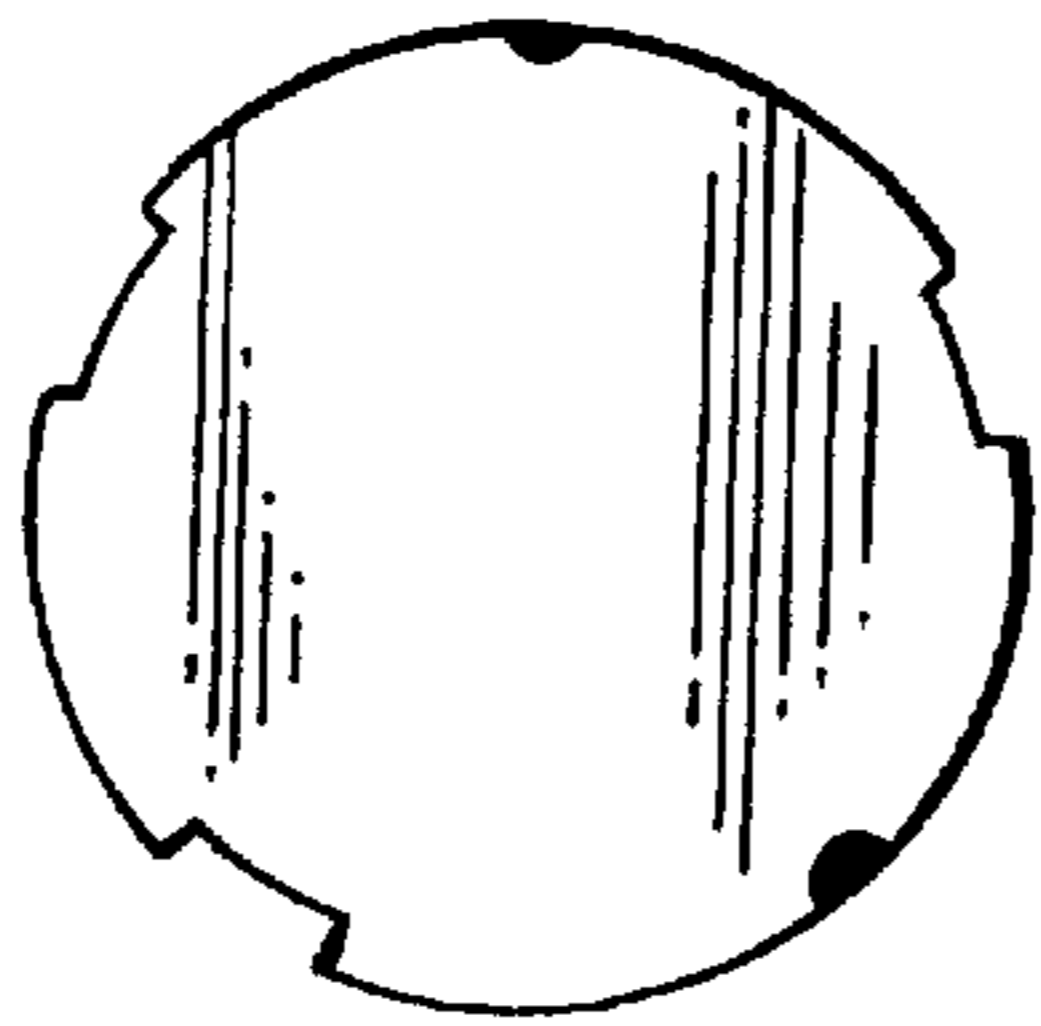


FIG. 2

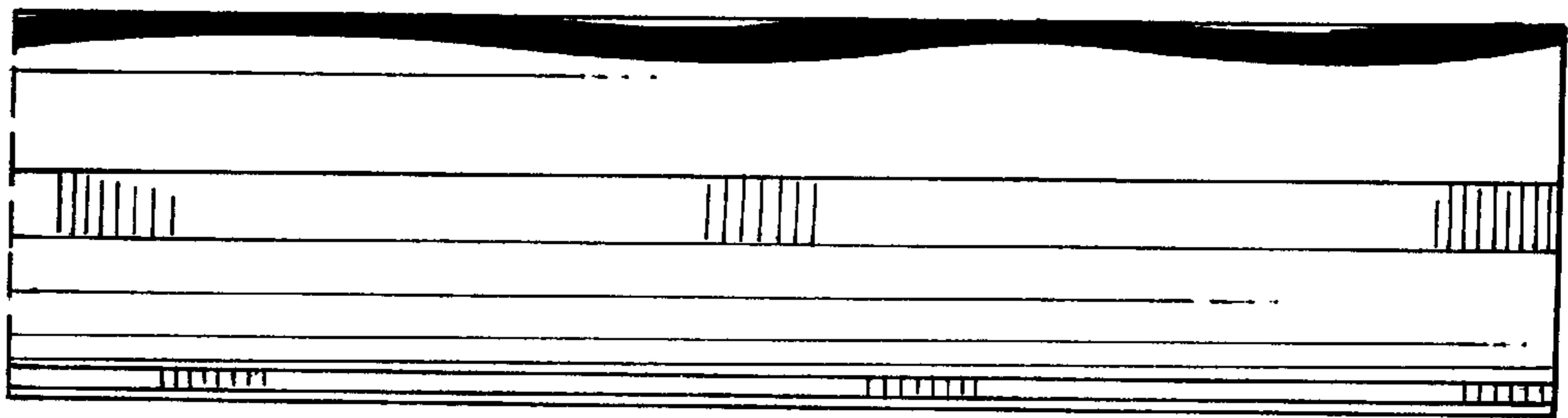


FIG. 3

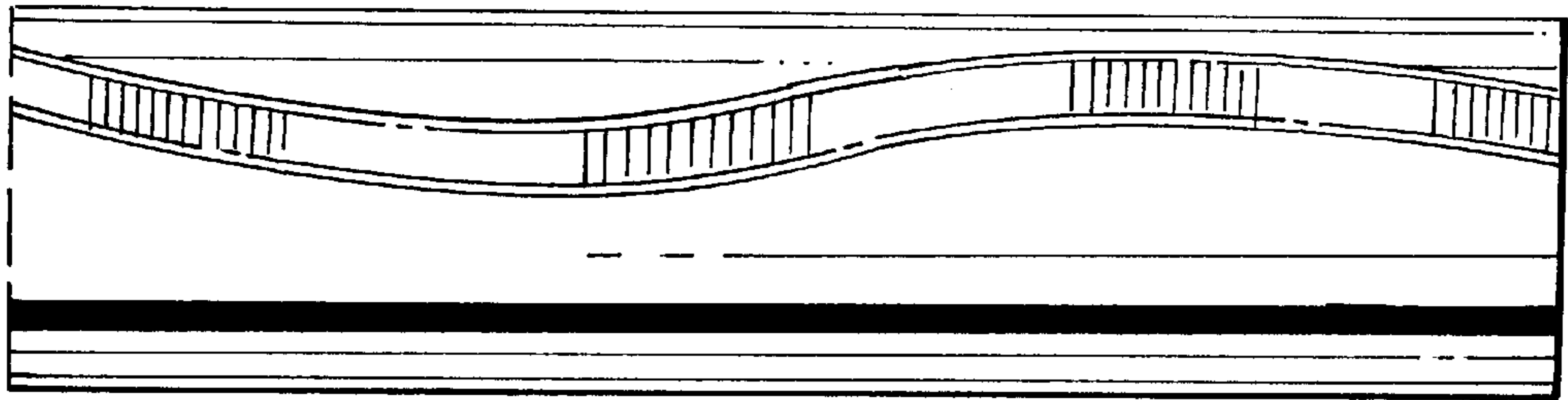


FIG. 4

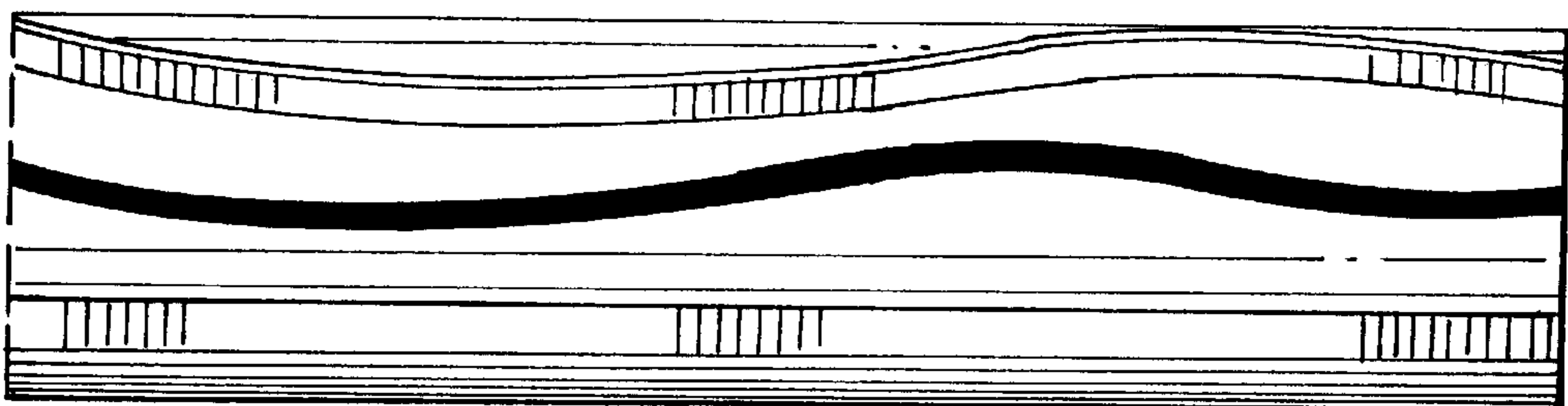


FIG. 5

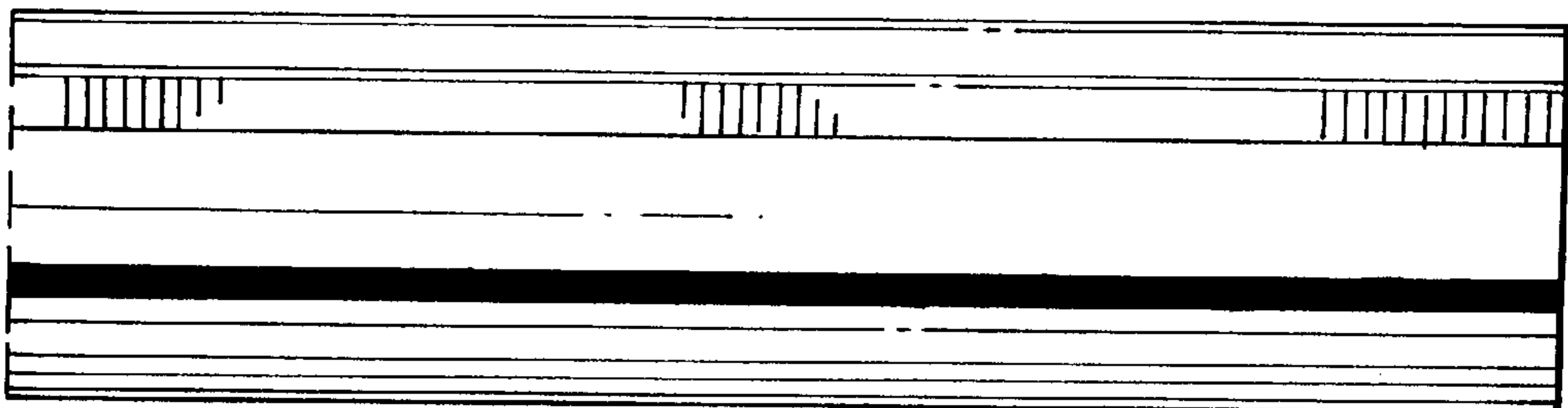


FIG. 6