



US00D408997S

**United States Patent** [19]  
**Holland**

[11] **Patent Number: Des. 408,997**

[45] **Date of Patent: \*\* May 4, 1999**

[54] **COMBINED TOOTHBRUSH AND STAND**

[76] Inventor: **John Holland**, 4303 N. Figueroa St.,  
Los Angeles, Calif. 90065

[\*\*] Term: **14 Years**

[21] Appl. No.: **29/059,360**

[22] Filed: **Sep. 9, 1996**

[51] **LOC (6) Cl.** ..... **04-02**

[52] **U.S. Cl.** ..... **D4/108**

[58] **Field of Search** ..... D4/104-113, 116,  
D4/134, 138, 199; 15/22.1, 105, 143.1,  
167.1, 167.2; 132/308, 309; 601/141, 142

[56] **References Cited**

**U.S. PATENT DOCUMENTS**

- D. 287,791 1/1987 Arnaud ..... D4/107
- D. 289,583 5/1987 Chan ..... D4/104
- D. 292,448 10/1987 Vianello ..... D4/104

D. 301,402 6/1989 Hirsch ..... D4/108

*Primary Examiner*—Alan P. Douglas  
*Assistant Examiner*—Lavone D. Tabor

[57] **CLAIM**

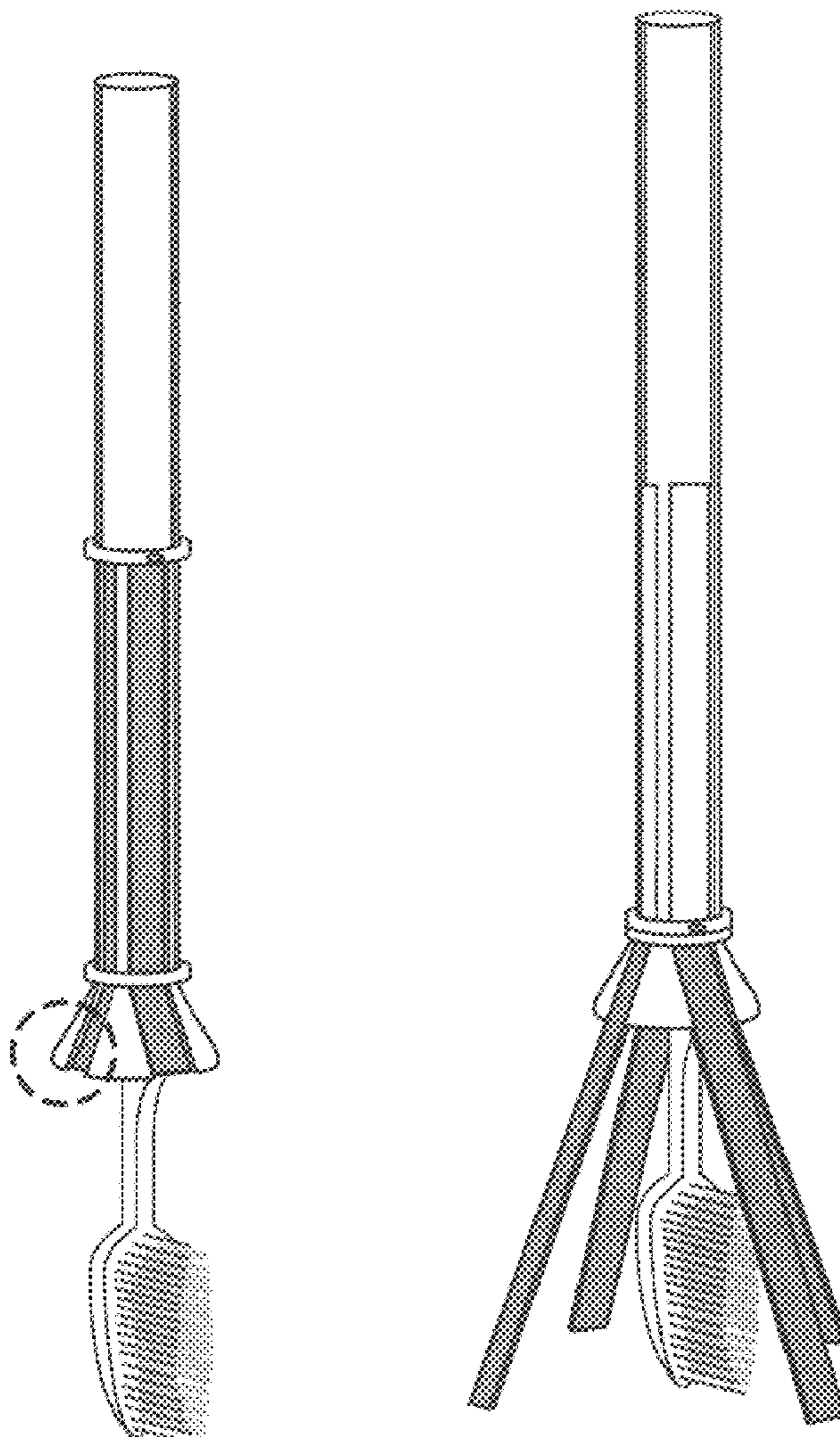
The ornamental design for a combined toothbrush and stand,  
as shown and described.

**DESCRIPTION**

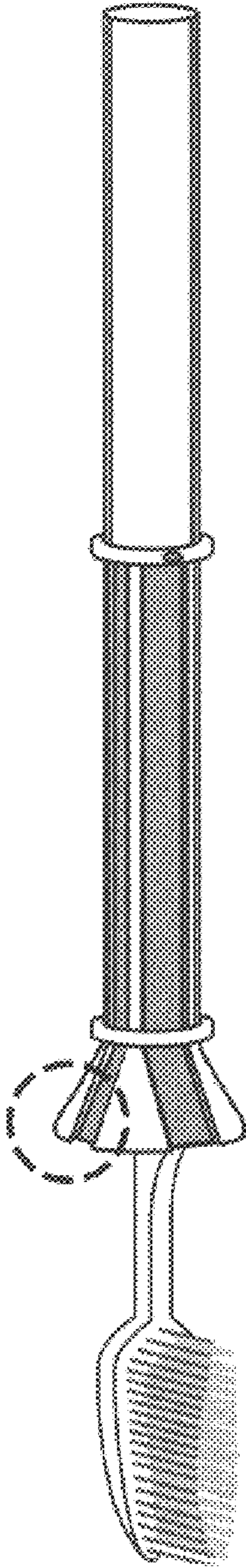
FIG. 1 is a top, front, and left side perspective view of a  
combined toothbrush and stand showing my new design;  
FIG. 2 is the perspective view of FIG. 1, with the stand legs  
shown partially extended;  
FIG. 3 is the perspective view of FIG. 1 with the stand legs  
shown fully extended to storage position; and,  
FIG. 4 is an enlarged partial view of the flared portion of the  
handle of FIG. 1.

The bottom, rear, and right side of the combined toothbrush  
and stand form no part of the claimed design.

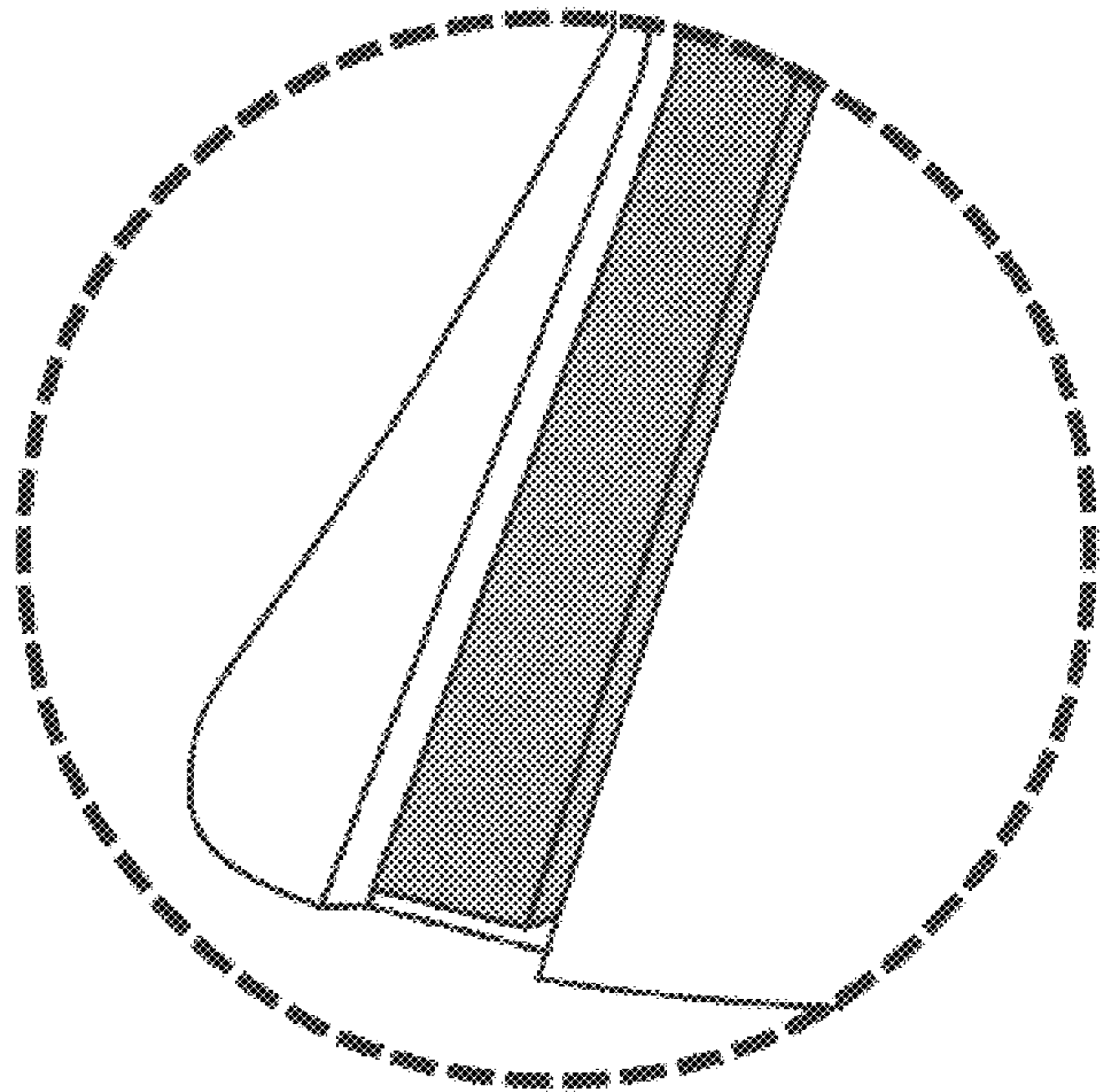
**1 Claim, 3 Drawing Sheets**



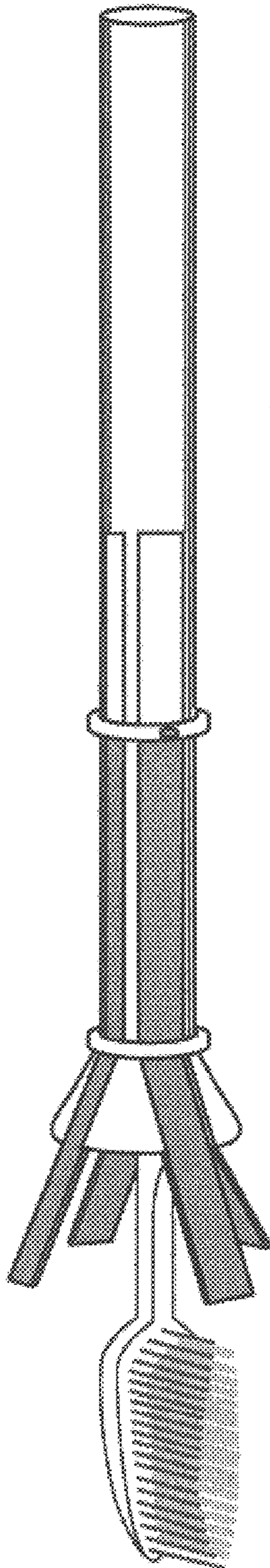
**FIG. 1**



**FIG. 4**



**FIG. 2**



**FIG. 3**

